



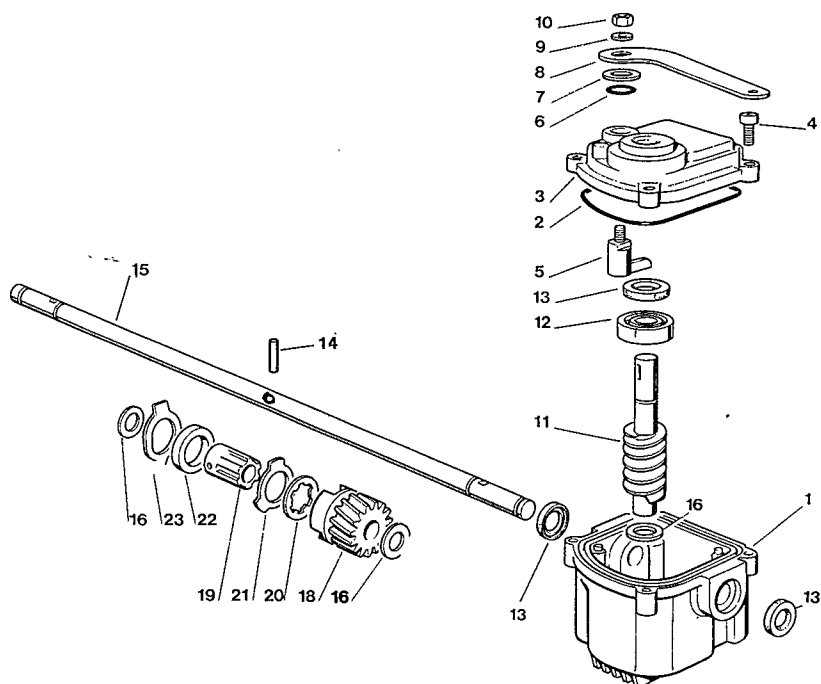
**Raser**<sup>®</sup>  
*Le Club*<sup>®</sup>

**POWER**<sup>®</sup>  
*Flash*<sup>™</sup>

VISTE ESPLOSE  
EXPLODED VIEWS  
VUES ECLATEES  
SPRENGZEICHNUNGEN

**GRUPPO  
TRAZIONE**

Mod. 1993



Pos. Nr.	Codice Kodex Code	Descrizione	Description	Description	Beschreibung	Q.tà Q.ty Q.tè Menge
1	19700020/1	SCATOLA COMPLETA (R-CL)	DRIVE ASS'Y (R-CL)	GROUPE COMPLET (R-CL)	ANTRIEB (R-CL)	1
1A	19700030/0	SCATOLA COMP. + BRONZINE E PARAOLIO (PA/F)	BOX FOR BUSHES AND RINGS (PA/F)	BOÎTE POUR COUSSINETS ET ANNEAUX (PA/F)	BEHÄLTER FÜR BRONZEBUCHSE UND RING	1
1B	19700028/0	BRONZINA (PA/F)	BUSH (PA/F)	COUSSINET (PA/F)	BRONZEBUCHSE (PA/F)	2
2	19700005/0	ANELLO DI TENUTA	RING	ANNEAU DE TENNUE	RING	1
3	19700010/1	COPERCHIO COMPLETO	COMPLETE COVER	COUVERCLE COMPLET	SCHRAUBE	1
4	19700026/0	VITE	SCREW	VIS	SCHRAUBE	4
5	19700029/0	LEVA INTERNA	INNER LEVER	LEVIER INTERNE	INNERE HEBEL	1
6	19700007/0	ANELLO DI TENUTA	RING	ANNEAU DE TENUE	RING	1
7	19700017/0	RONDELLA D'ALLUMINIO	ALU. WASHER	RONDELLE ALU.	ALU. SCHEIBE	1
8	19700014/0	LEVA D'INNESTO	DRIVING LEVER	LEVIER COMMANDE	ANTRIEBHEBEL	1
9	19700018/0	RONDELLA	NUT	ECROU	MUTTER	1
10	12291000/0	DADO	WASHER	RONDELLE	SCHEIBE	1
11	19700022/0	VISTE SENZA FINE (PA/F)	WORM (PA/F)	VIA SANS (PA/F)	ZYLINDERSCHNECKE (PA/F)	1
11A	19700024/0	VITE SENZA FINE (R-CL)	WORM (R-CL)	VIS SANS FIN (R-CL)	ZYLINDERSCHNECKE (R-CL)	1
12	19700011/0	CUSCINETTO	BEARING	ROULEMENT	KUEGELLAGER	1
13	19700032/0	ANELLO DI TENUTA	RING	ANNEAU	RING	3
14	19700021/0	SPINA	PIN	VIS	SCHRAUBE	1
15	19700031/0	ALBERO PER (PA/F)	DRIVING SHAFT (PA/F)	ARBRE (PA/F)	WELLE (PA/F)	1
15A	19700002/0	ALBERO PER (R-CL)	DRIVING SHAFT (R-CL)	ARBRE (R-CL)	WELLE (R-CL)	1
16	19700023/0	RONDELLA	WASHER	RONDELLE	SCHEIBE	3
18	19700019/0	RUOTA ELICOIDALE	HELICOIDAL WHEEL	ROUE HÉLICOIDALE	SCHRAEGZAHNRDA	1
19	19700009/0	BUSSOLA DI TRASCINAMENTO	BUSH	DOUILLE	HVELSE	1
20	19700013/0	DISCO FRIZIONE CONDOTTO	CLUTCH PLATE	DISQUE EMBRAYGE	KUPPLUNG SCHEIBE	10
21	19700012/0	DISCO FRIZIONE CONDUTTORE	CLUTCH PLATE	DISQUE EMBRAYAGE	KUPPLUNG SCHEIBE	10
22	19700008/0	ANELLO SPINGIDISCO	RING	ANNEAU DE BUTEE	RING	1
23	19700016/0	LEVA D'INNESTO	DRIVING LEVER	LEVIER COMMANDE	ANTRIEB HEBEL	1
-	18652000/1	ASS. GRUPPO TRAZIONE (PA/F)	DRIVING GROUP ASS'Y (PA/F)	ENS. GROUPE TRACTIN (PA/F)	ANTRIEB (PA/F)	1
-	18652020/0	ASS. GRUPPO TRAZIONE (R-CL)	DRIVING GROUP ASS'Y (R-CL)	ENS. GROUPE TRACTION (R-CL)	ANTRIEB (R-CL)	1



**CASTEL GARDEN EQUIPMENT spa**  
I - 31033 CASTELFRANCO VENETO - ITALY  
TF (0423) 493161 - TX 433359 GARDEN ITALY  
FAX (0423) 498404

CN 71503082/0  
Printed in Italy by TYP'0