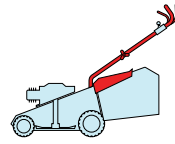
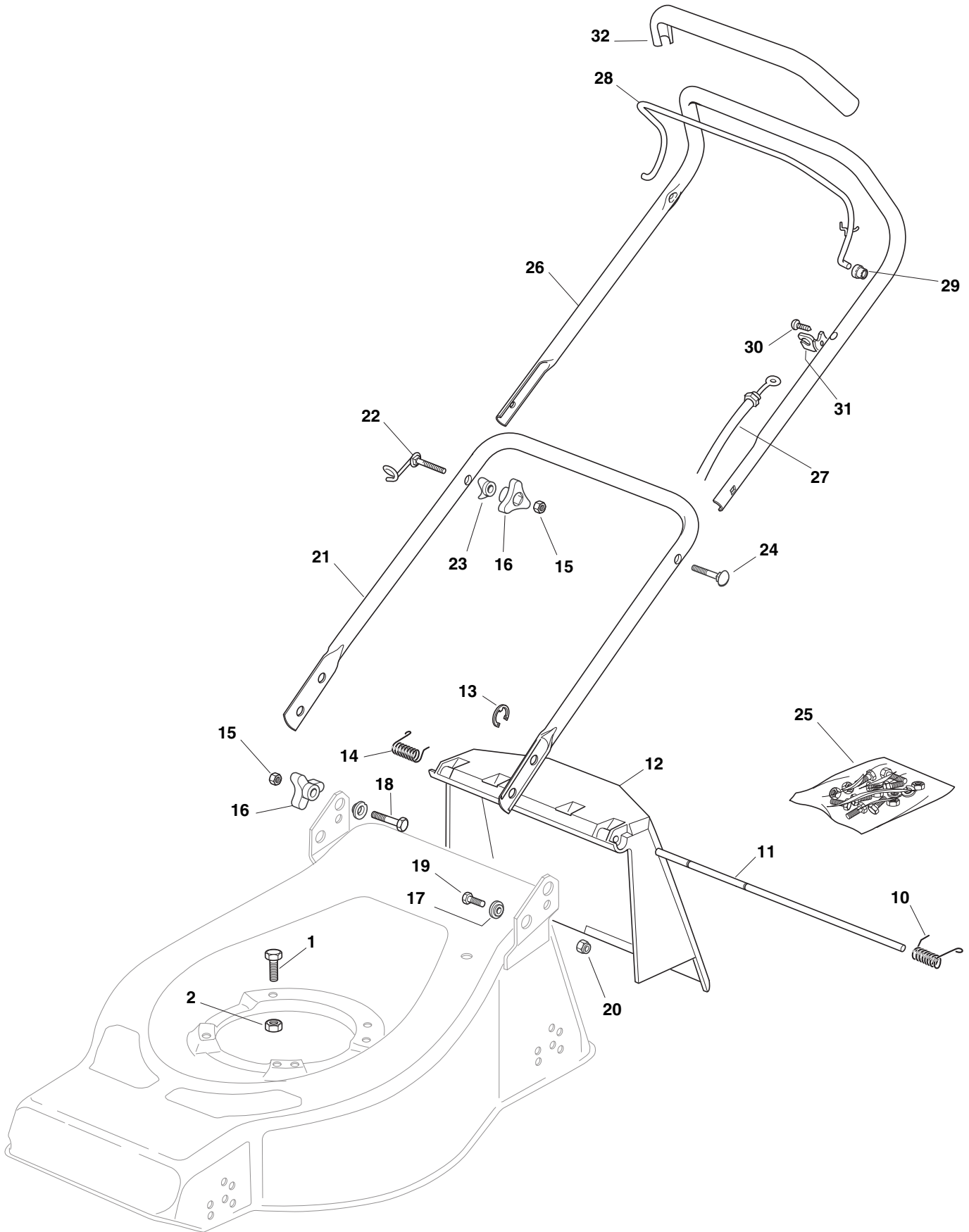


R		RL	
434	484	534	



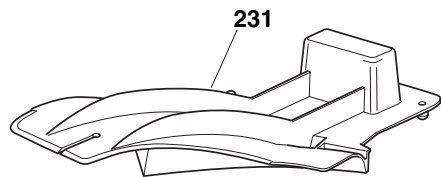
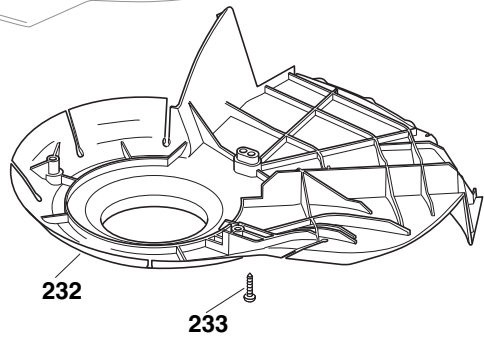
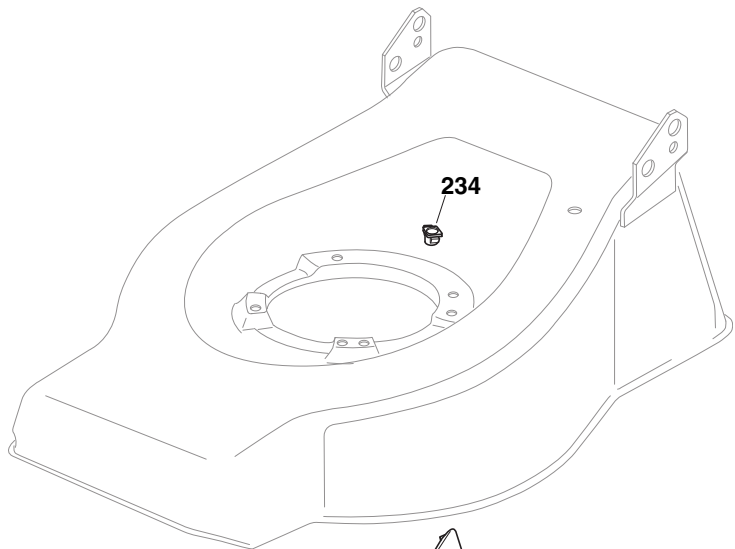
2008
531.0
1 / 2



POS	QTY	PARTNUMBER	BESKRIVELSE	DESCRIPTION
2		12155000-0	LÅSEMØTRIK M8 FZ	LOCKING NUT M8 FZ
10	1	22450420-1	FJEDER	SPRING
11	1	22517906-0	STANG FOR UDKASTER 39 CM	ROD 39 CM
12	1	22600028-0	UDKASTERKLAP NG-R	EJECTOR FLAP
13	1	403558	HESTESKOSIKRING SORT 6MM	HORSESHOE FUSE 6MM
14	1	22450410-1	FJEDER	SPRING
15	4	90100662	STÅLMØTRIK 8.8 M8 FZ	STEEL NUT M8 FZ
16	4	22399900-0	FINGERSKRUE	FINGER SCREW
17	4	22041955-0	SKIVE	DISC, WASHER
18	2	90102746	SÆTBOLT 8.8 M8X30 FZ	SET BOLT M8X30 FZ
19	2	90102741	SÆTBOLT 8.8 M8X16 FZ	SET BOLT M8X16 FZ
20	2	12155000-0	LÅSEMØTRIK M8 FZ	LOCKING NUT M8 FZ
21	1	81006512-0	UNDERSTYR - 2 HULLER	BOTTOM GUIDE
22	1	81003801-0	HOLDER FOR STARTSNOR	HOLDER
23	2	22680006-1	SKIVE	DISC, WASHER
24	1	90100092	BRÆDDEBOLT 8.8 M8X60 FZ	CARRIAGE BOLT M8X60 FZ
25	1	81008614-0	SKRUESÆT	SCREW SET
26	1	81007018-0	OVERSTYR	OVERSTEERING
27	1	81000757-0	STOPKABEL	STOP CABLE
28	1	81003291-2	HÅNDTAG FOR MOTORBREMSE	HANDLE
29	2	22041966-0	BØSNING	BUSHING
30	1	12728518-0	PLADESKRUE M5.5X13	PLATE SCREW M5.5X13
31	1	22806612-0	BESLAG	FURNISHINGS
32	1	22291050-0	GREB FOR HÅNDTAG SORT	HANDLE

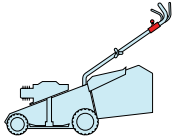
R		RL	
434	484	534	

2008
531b.0
1 / 1

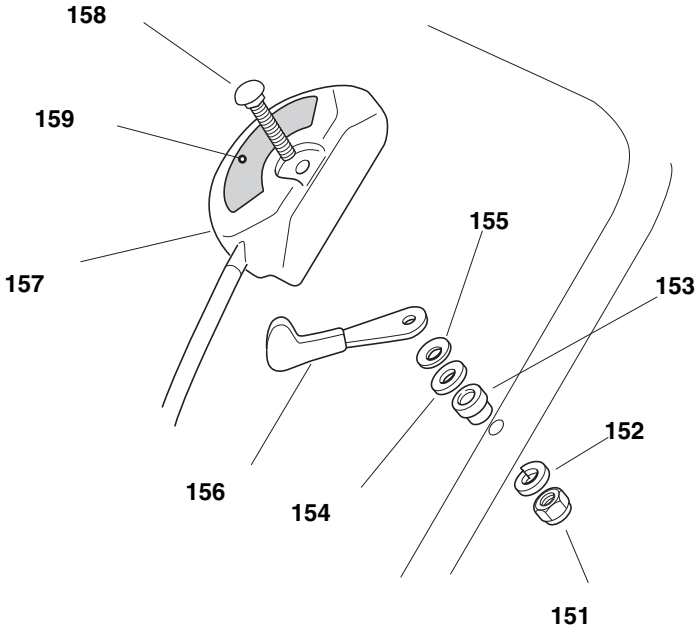


POS	QTY	PARTNUMBER	BESKRIVELSE	DESCRIPTION
231	1	22140223-0	BIOPLUG	BIOPLUG
232	1	22060199-0	REMSKÆRM	BELT GUARD
233	3	12728530-0	PLADESKRUE M5X25	PLATE SCREW M5X25
234	1	22291150-0	GUMMIBØS ISKRUGNINGSBØS	RUBBER GLAND

R		RL	
434	484	534	

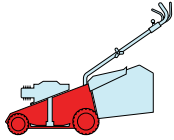


2008
532a.0
1 / 1

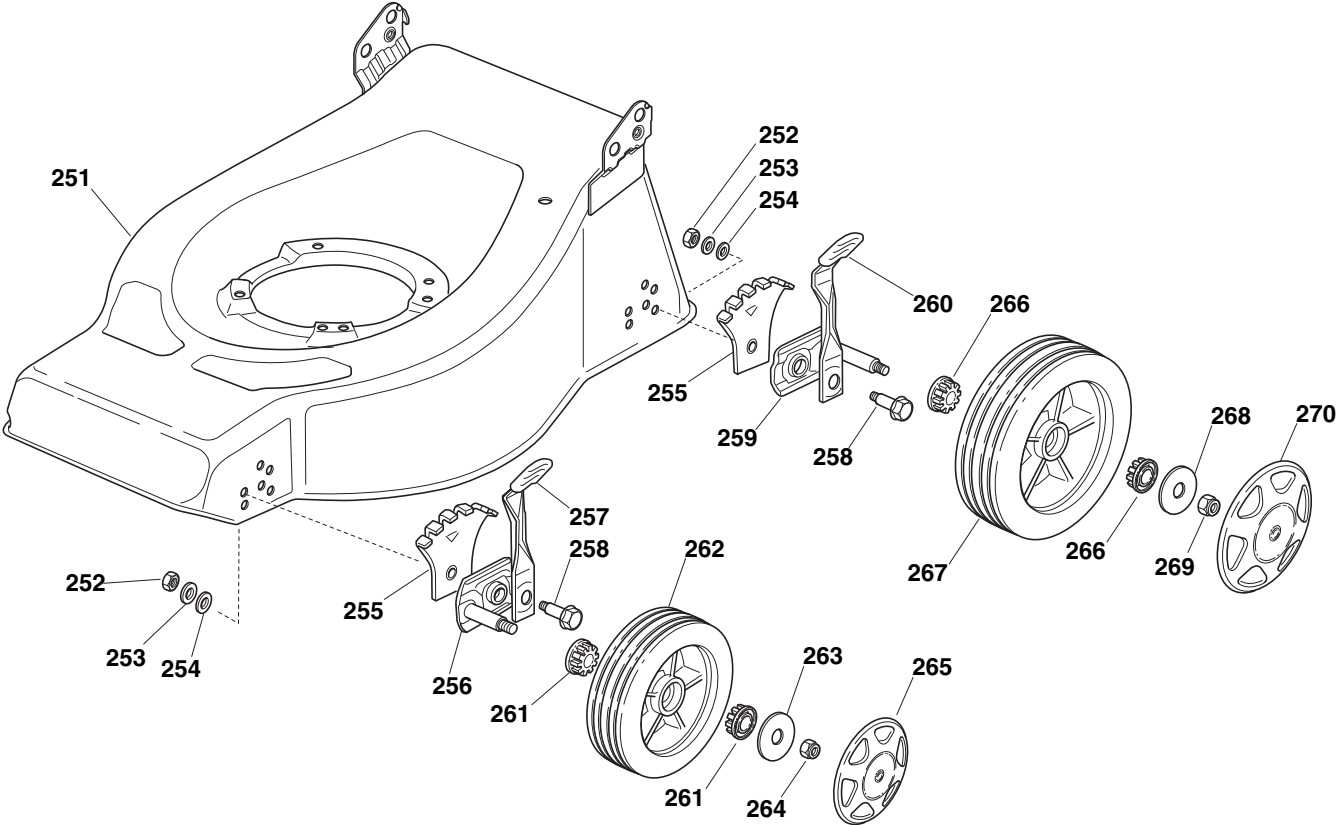


POS	QTY	PARTNUMBER	BESKRIVELSE	DESCRIPTION
151	1	90100660	STÅLMØTRIK 8.8 M5 FZ	STEEL NUT M5 FZ
152	1	12581500-0	SKIVE	DISC, WASHER
153	1	22171005-0	SKIVE	DISC, WASHER
154	1	12521360-0	SKIVE	DISC, WASHER
155	1	12508100-0	FJEDERSKIVE	SPRING COLLAR
156	1	81007279-1	GASHÅNDTAG	THROTTLE LEVER
157	1	81007080-0	GASKABEL	THROTTLE CABLE
158	1	12815000-0	BOLT	BOLT
159	1	14356702-0	LABEL	LABEL

R		RL	
434	484	534	

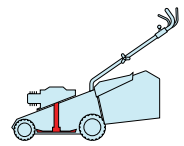


2008
533.0
1 / 1

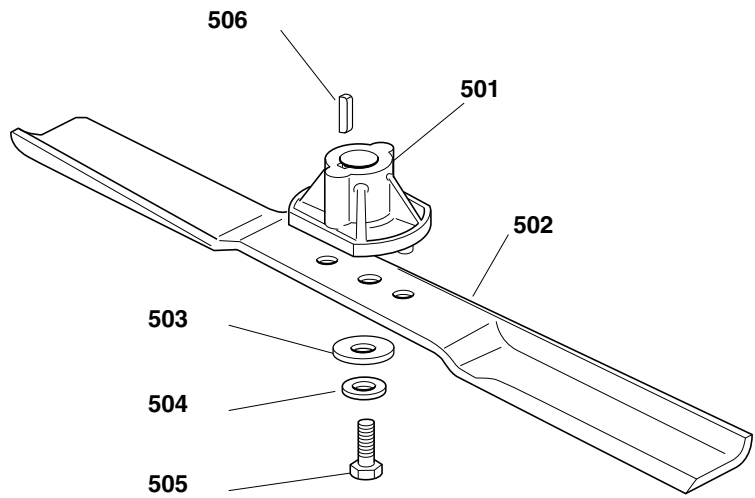


POS	QTY	PARTNUMBER	BESKRIVELSE	DESCRIPTION
251	1	81002404-0	KLIPPERSKJOLD	
252	4	90100662	STÅLMØTRIK 8.8 M8 FZ	STEEL NUT M8 FZ
253	4	12583500-0	FJEDERSKIVE	SPRING COLLAR
254	4	12523070-0	SKIVE M8.7X15.9X1.55 FZ	DISC, WASHER M8.7X15.9X1.55 FZ
255	4	22735547-0	PLADE HØJDEJUSTERING	PLATE
256	2	81005082-0	FORAKSEL	FRONT AXLE
257	2	81003285-0	HØJDEJUSTERING	HEIGHT ADJUSTMENT
258	4	22519811-0	BRYSTBOLT	BREAST BOLT
259	2	81005084-0	HJULAKSEL	WHEEL SHAFT
260	2	81003286-0	HØJDEJUSTERING	HEIGHT ADJUSTMENT
261	4	22034508-0	HJULLEJE PLAST	WHEEL BEARING
262	2	81007326-0	FORHJUL 170 MM	FRONT WHEEL
263	2	12523060-0	SVÆR PLANSKIVE	FACE PLATE
264	2	12155000-0	LÅSEMØTRIK M8 FZ	LOCKING NUT M8 FZ
265	2	22110381-0	HJULKAPSEL GRÅ	WHEEL CAP
266	4	22034508-0	HJULLEJE PLAST	WHEEL BEARING
267	2	81007328-0	HJUL Ø210	WHEEL
268	2	12523060-0	SVÆR PLANSKIVE	FACE PLATE
269	2	12155000-0	LÅSEMØTRIK M8 FZ	LOCKING NUT M8 FZ
270	2	22110382-0	HJULKAPSEL GRÅ	WHEEL CAP

R		RL
434	484	534



2008
534.0
1 / 1



POS	QTY	PARTNUMBER	BESKRIVELSE	DESCRIPTION
501	1	22463012-1	KNIVHOLDER 22 MM	KNIFE HOLDER 22 MM
501	1	122463020-1	KNIVHOLDER Ø25	KNIFE HOLDER
502	1	81004346-0	KNIV COMBI 45 CM	KNIFE 45 CM
502	1	81004397-0	VINGEKNIV 45 CM	WING KNIFE 45 CM
503	1	22160400-0	TALLERKENS KIVE 10X50	CURVED WASHER 10X50
504	1	90102337	PLANSKIVE M10X4.0 FZB	FACE PLATE M10X4.0 FZB
505	1	12735698-0	STÅLBOLT SORT 3/8" UNF X 56	STEEL BOLT 3/8" UNF X 56
506	1	90101265	NOT HALVCIRKEL M4X6.5X15.7	SLOT M4X6.5X15.7
506	1	12139150-0	NOT HALVCIRKEL M4.9X6X15.5	SLOT M4.9X6X15.5

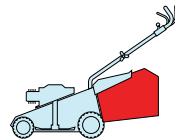
R

RL

434

484

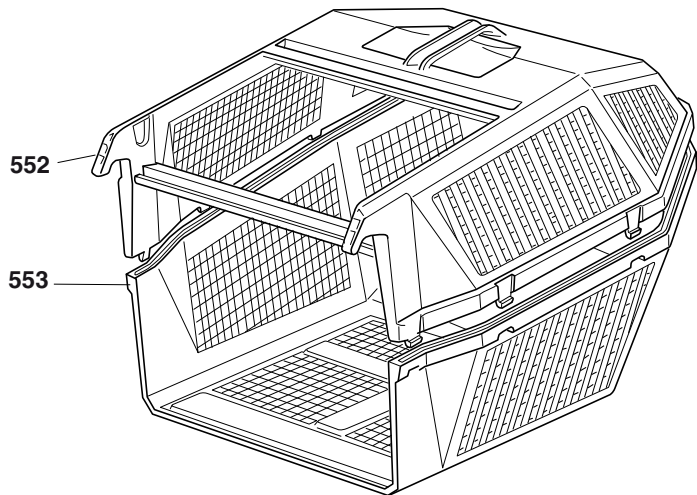
534



2008

535.0

1 / 1



POS	QTY	PARTNUMBER	BESKRIVELSE	DESCRIPTION
552	1	22486076-0	OPSAMPLERKASSE OVERDEL	COLLECTOR
553	1	22486077-0	OPSAMPLERKASSE UNDERDEL	COLLECTOR