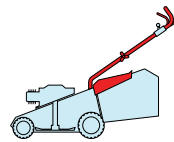
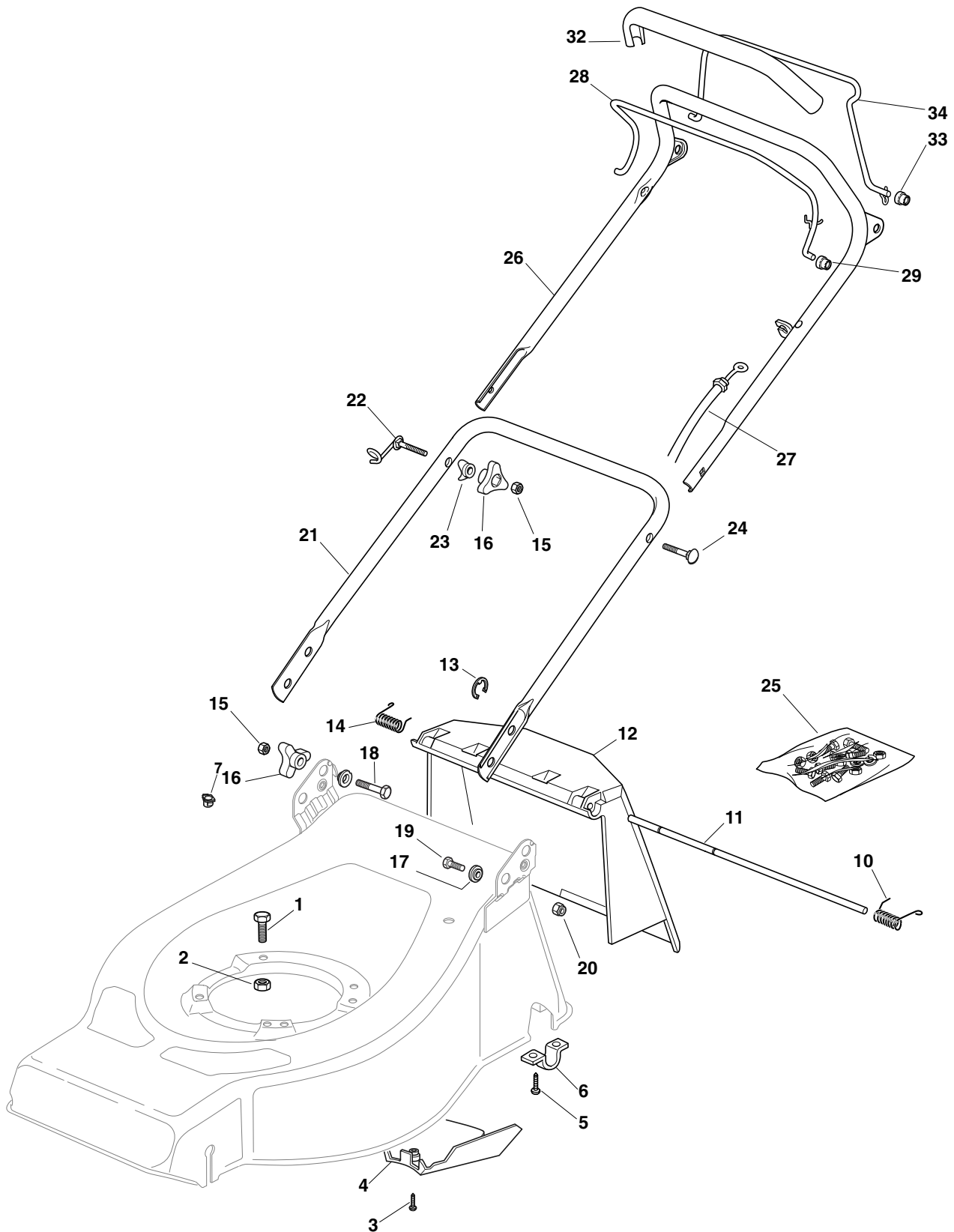


R		RL	
434	484	534	
TR		TR/E	

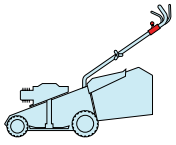


2008
<b>541.0</b>
1 / 3

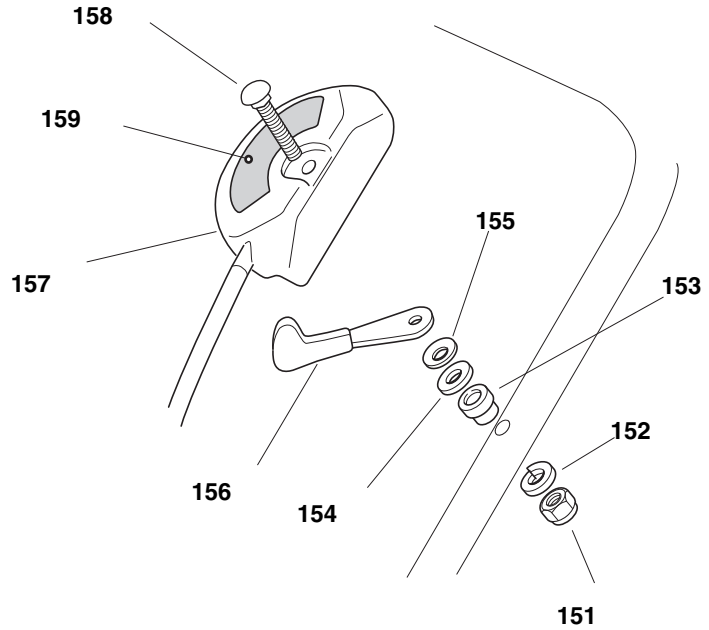


POS	QTY	PARTNUMBER	BESKRIVELSE	DESCRIPTION
2		12155000-0	LÅSEMØTRIK M8 FZ	LOCKING NUT M8 FZ
3	1	12728530-0	PLADESKRUE M5X25	PLATE SCREW M5X25
4	1	22060180-0	PLASTSKÆRM F.KILEREM	GUARD
5	4	12731350-0	PLADESKRUE 6 KANTET M5.5X19	PLATE SCREW M5.5X19
6	2	22545152-0	BESLAG	FURNISHINGS
7	1	22291150-0	GUMMIBØS ISKRUGNINGSBØS	RUBBER GLAND
10	1	22450420-1	FJEDER	SPRING
11	1	22517906-0	STANG FOR UDKASTER 39 CM	ROD 39 CM
12	1	22600028-0	UDKASTERKLAP NG-R	EJECTOR FLAP
13	1	403558	HESTESKOSIKRING SORT 6MM	HORSESHOE FUSE 6MM
14	1	22450410-1	FJEDER	SPRING
15	4	90100662	STÅLMØTRIK 8.8 M8 FZ	STEEL NUT M8 FZ
16	4	22399900-0	FINGERSKRUE	FINGER SCREW
17	4	22041955-0	SKIVE	DISC, WASHER
18	2	90102746	SÆTBOLT 8.8 M8X30 FZ	SET BOLT M8X30 FZ
19	2	90102741	SÆTBOLT 8.8 M8X16 FZ	SET BOLT M8X16 FZ
20	2	12155000-0	LÅSEMØTRIK M8 FZ	LOCKING NUT M8 FZ
21	1	81006512-0	UNDERSTYR - 2 HULLER	BOTTOM GUIDE
22	1	81003801-0	HOLDER FOR STARTSNOR	HOLDER
23	2	22680006-1	SKIVE	DISC, WASHER
24	1	90100092	BRÆDDEBOLT 8.8 M8X60 FZ	CARRIAGE BOLT M8X60 FZ
25	1	81008614-0	SKRUESÆT	SCREW SET
26	1	81007024-0	OVERSTYR	OVERSTEERING
27	1	81000757-0	STOPKABEL	STOP CABLE
28	1	81003291-2	HÅNDTAG FOR MOTORBREMSE	HANDLE
29	2	22041966-0	BØSNING	BUSHING
32	1	22291050-0	GREB FOR HÅNDTAG SORT	HANDLE
33	2	22041965-0	BØS FOR BØJLE	GLAND
34	1	81003288-0	BØJLE	RING

R		RL	
434	484	534	
TR		TR/E	

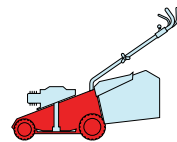


2008
<b>542a.0</b>
1 / 1

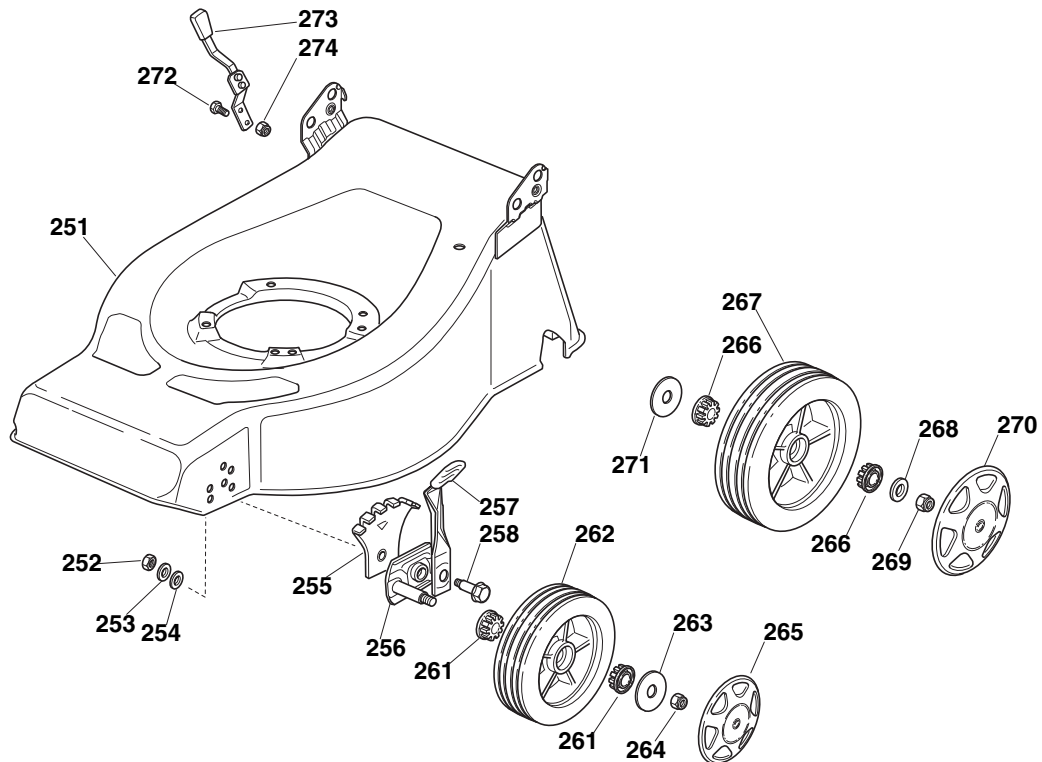


POS	QTY	PARTNUMBER	BESKRIVELSE	DESCRIPTION
151	1	90100660	STÅLMØTRIK 8.8 M5 FZ	STEEL NUT M5 FZ
152	1	12581500-0	SKIVE	DISC, WASHER
153	1	22171005-0	SKIVE	DISC, WASHER
154	1	12521360-0	SKIVE	DISC, WASHER
155	1	12508100-0	FJEDERSKIVE	SPRING COLLAR
156	1	81007279-1	GASHÅNDTAG	THROTTLE LEVER
157	1	81007080-0	GASKABEL	THROTTLE CABLE
158	1	12815000-0	BOLT	BOLT
159	1	14356702-0	LABEL	LABEL

<b>R</b>		<b>RL</b>	
<b>434</b>	<b>484</b>	<b>534</b>	
<b>TR</b>		<b>TR/E</b>	

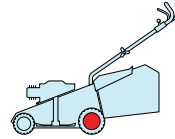


<b>2008</b>
<b>543.0</b>
<b>1 / 1</b>

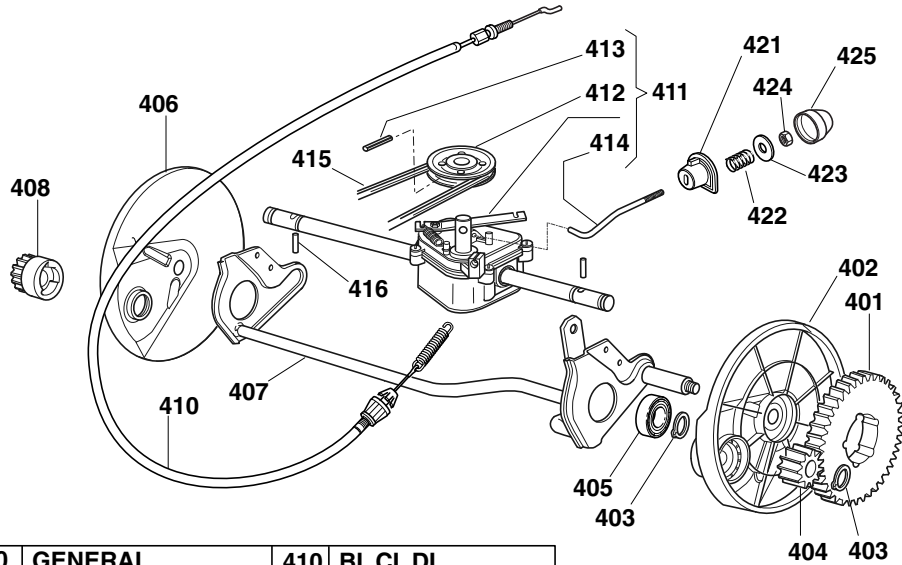


POS	QTY	PARTNUMBER	BESKRIVELSE	DESCRIPTION
251	1	81002456-0	KLIPPERSKJOLD	DECK
252	2	90100662	STÅLMØTRIK 8.8 M8 FZ	STEEL NUT M8 FZ
253	2	12583500-0	FJEDERSKIVE	SPRING COLLAR
254	2	12523070-0	SKIVE M8.7X15.9X1.55 FZ	DISC, WASHER M8.7X15.9X1.55 FZ
255	2	22735547-0	PLADE HØJDEJUSTERING	PLATE
256	2	81005082-0	FORAKSEL	FRONT AXLE
257	2	81003285-0	HØJDEJUSTERING	HEIGHT ADJUSTMENT
258	2	22519811-0	BRYSTBOLT	BREAST BOLT
261	4	22034508-0	HJULLEJE PLAST	WHEEL BEARING
262	2	81007326-0	FORHJUL 170 MM	FRONT WHEEL
263	2	12523060-0	SVÆR PLANSKIVE	FACE PLATE
264	2	12155000-0	LÅSEMØTRIK M8 FZ	LOCKING NUT M8 FZ
265	2	22110381-0	HJULKAPSEL GRÅ	WHEEL CAP
266	4	22034508-0	HJULLEJE PLAST	WHEEL BEARING
267	2	81007328-0	HJUL Ø210	WHEEL
268	2	25670011-0	SKIVE	DISC, WASHER
269	2	12155000-0	LÅSEMØTRIK M8 FZ	LOCKING NUT M8 FZ
270	2	22110382-0	HJULKAPSEL GRÅ	WHEEL CAP
271	2	21660100-0	SKIVE	DISC, WASHER
272	2	90102718	SÆTBOLT 8.8 M5X12 FZ	SET BOLT M5X12 FZ
273	1	81003279-1	HØJDEREGULERING	ADJUSTMENT LEVER ASS.Y
274	2	90100690	LÅSEMØTRIK 8.8 M5 FZ	LOCKING NUT M5 FZ

R		RL	
434	484	534	
TR		TR/E	



2008
<b>544.0</b>
1 / 1

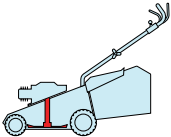


410	<b>GENERAL TRANSMISSION</b>	410	<b>BI. CI. DI.</b>

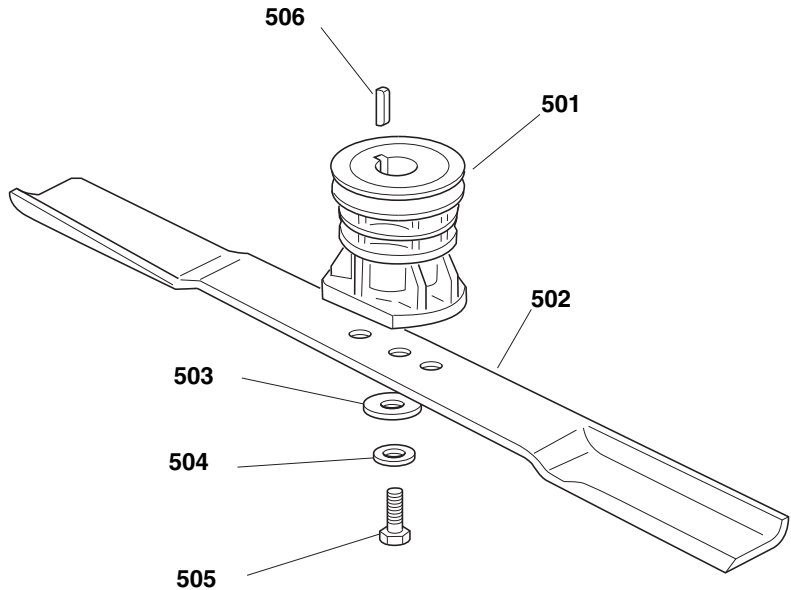
POS	QTY	PARTNUMBER	BESKRIVELSE	DESCRIPTION
401	2	22120105-0	TANDHJUL	SPROCKET
402	1	22600093-0	STØVDÆKSEL VENSTRE	DUST CAP
403	4	90102482	SEEGERRING SORT U 12	RETAINER RING U 12
404	1	22570120-0	PALHJUL VENSTRE	RATCHET WHEEL
405	2	19216035-0	KUGLELEJE 6001-2RS 28X12X8	BALL BEARING 6001-2RS 28X12X8
406	1	22600092-0	STØVDÆKSEL HØJRE	DUST CAP
407	1	81000147-0	BAGAKSEL	REAR AXLE
408	1	22570110-0	PALHJUL HØJRE	RATCHET WHEEL
410	1	81000672-0	KOBLINGSKABEL BI.CI.DI	CLUTCH CABLE BI.CI.DI
410	1	81000668-0	KOBLINGSKABEL FRANCE REDUTEURS	CLUTCH CABLE FRANCE REDUTEURS
411	1	81003081-0	GEARKASSE GRÅ BI.CI.DI	GEAR BOX BI.CI.DI
411	1	81003076-0	GEARKASSE SORT FRANCE REDUTEURS	GEAR BOX FRANCE REDUTEURS
412	1	22601904-0	REMSKIVE PLAST	BELT PULLEY
413	1	9595-0262-00	RØRSTIFT	PIPE PIN
414	1	22033280-0	REMSTRAMMERARM BI.CI.DI.	BELT STRETCHER LEVER BI.CI.DI.
414	1	22033283-0	REMSTRAMMERARM GENERAL TRANSMISION	BELT STRETCHER LEVER GENERAL TRANSMISION
415	1	35063710-0	KILEREM 10X635 Z25	V-BELT 10X635 Z25
415	1	35063800-0	KILEREM 10X700 Z27	V-BELT 10X700 Z27
415	1	35063902-0	KILEREM 10X750 Z29.5	V-BELT 10X750 Z29.5
416	2	22753000-0	PAL RUND	RATCHET
421	1	22041957-0	BØSNING F REMSTRAMMER	BUSHING
422	1	22450063-0	FJEDRE F REMSTRAMMER	SPRING
423	1	22680009-0	SKIVE F REMSTRAMMER	DISC, WASHER
424	1	90100691	LÅSEMØTRIK 8.8 M6 FZ	LOCKING NUT M6 FZ
425	1	22110230-0	DÆKSEL F REMSTRAMMER	LID



R		RL	
434	484	534	
TR		TR/E	

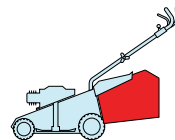


2008
<b>545.0</b>
1 / 1

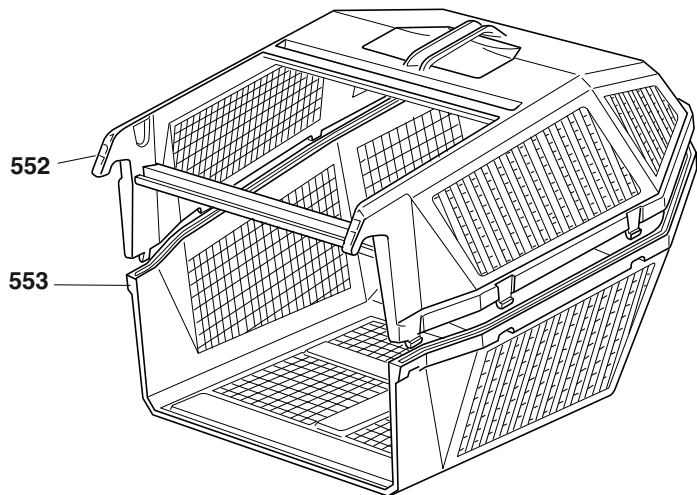


POS	QTY	PARTNUMBER	BESKRIVELSE	DESCRIPTION
501	1	22465607-0	KNIVHOLDER Ø22 MM	KNIFE HOLDER Ø22 MM
501	1	122465608-1	KNIVHOLDER Ø25 MM	KNIFE HOLDER Ø25 MM
502	1	81004346-0	KNIV COMBI 45 CM	KNIFE 45 CM
502	1	81004397-0	VINGEKNIV 45 CM	WING KNIFE 45 CM
503	1	22160400-0	TALLERKENS KIVE 10X50	CURVED WASHER 10X50
504	1	90102337	PLANSKIVE M10X4.0 FZB	FACE PLATE M10X4.0 FZB
505	1	12735698-0	STÅLBOLT SORT 3/8" UNF X 56	STEEL BOLT 3/8" UNF X 56
506	1	90101265	NOT HALVCIRKEL M4X6.5X15.7	SLOT M4X6.5X15.7
506	1	12139150-0	NOT HALVCIRKEL M4.9X6X15.5	SLOT M4.9X6X15.5

<b>R</b>		<b>RL</b>	
<b>434</b>	<b>484</b>	<b>534</b>	
<b>TR</b>		<b>TR/E</b>	



2008
<b>546.0</b>
1 / 1



POS	QTY	PARTNUMBER	BESKRIVELSE	DESCRIPTION
552	1	22486076-0	OPSAMPLERKASSE OVERDEL	COLLECTOR
553	1	22486077-0	OPSAMPLERKASSE UNDERDEL	COLLECTOR