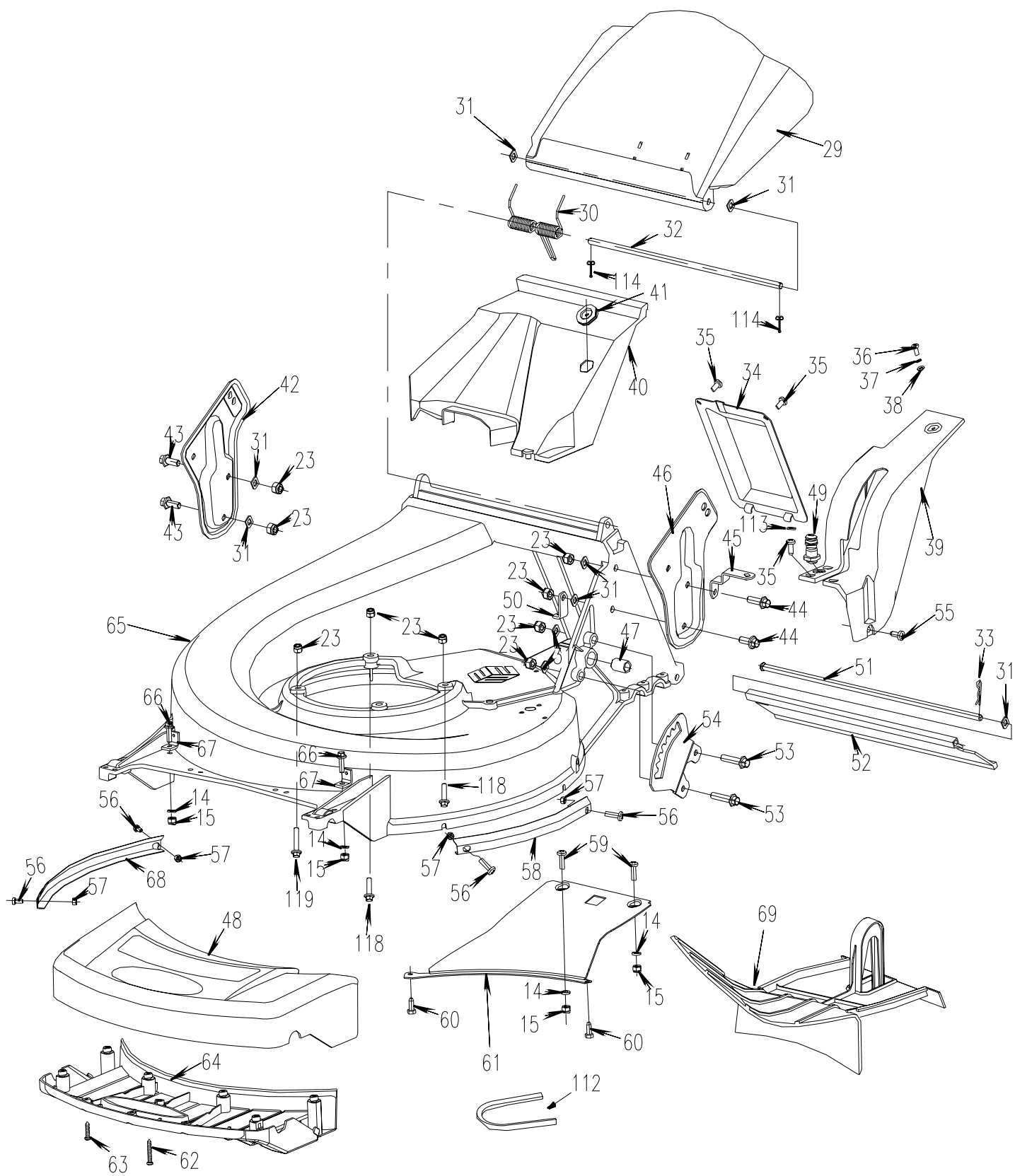
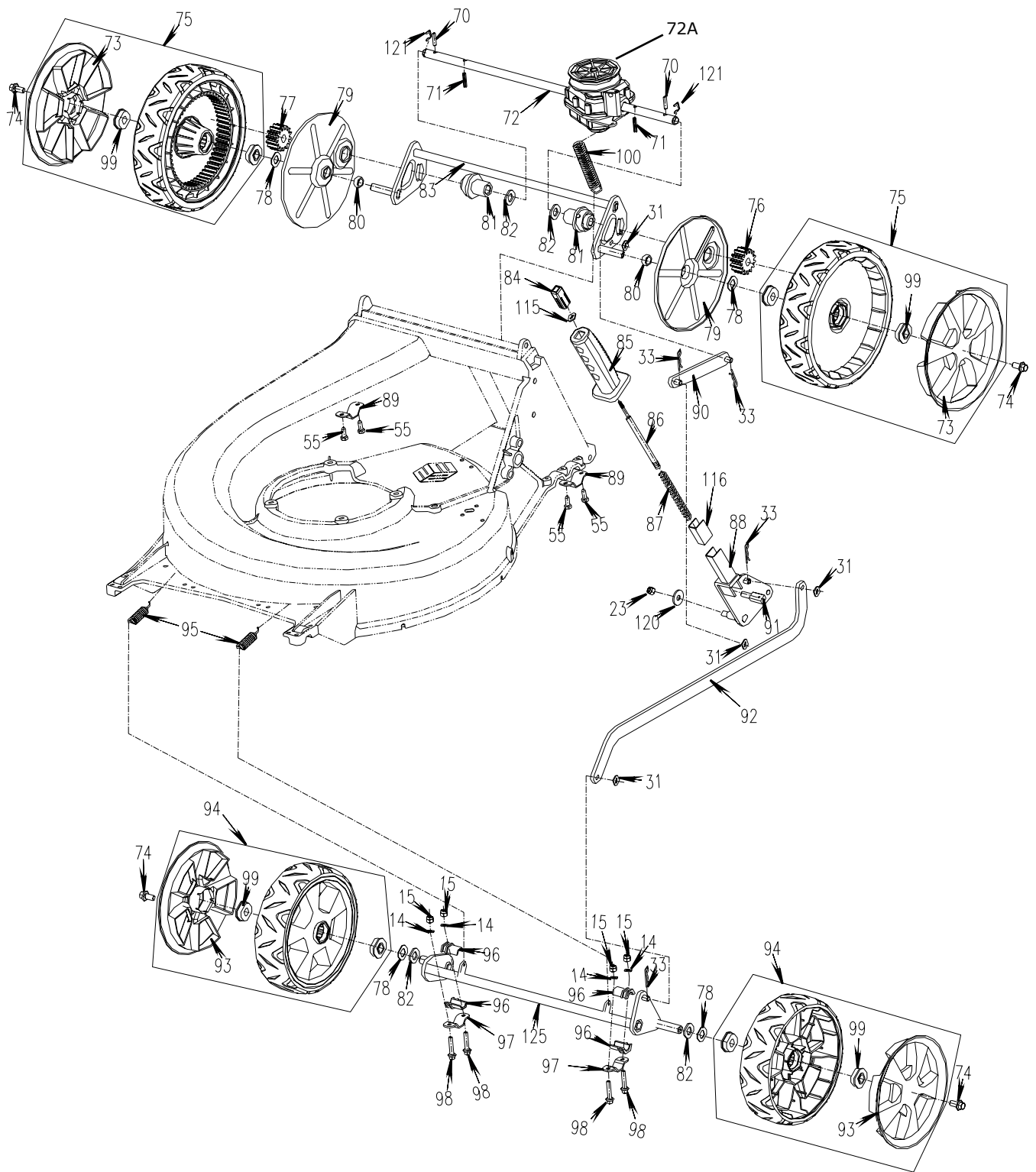


| POS | QTY | PARTNUMBER | BESKRIVELSE | DESCRIPTION |
|-----|-----|------------|--------------------------------|----------------------------------|
| 6 | 1 | 425819 | KØBLING+STOP KABEL | CABLE |
| 7 | 1 | 416241 | BØJLE FOR FREMTRÆK | RING |
| 8 | 1 | 416242 | BØJLE FOR STOP | RING |
| 9 | 1 | 416243 | SOFTGRIP | HANDLE |
| 10 | 1 | 416244 | STYRRØR ØVRE | GUIDE TUBE |
| 11 | 1 | 416245 | BESLAG | BRACKET |
| 12 | 1 | 411683 | MASKINSKRUE RUSTFRI M6X50 | STAINLESS MACHINE SCREW M6X50 |
| 13 | 1 | 416162 | GASKABEL KOMPLET | THROTTLE CABLE |
| 14 | 3 | 90102309 | PLANSKIVE M6X16X1,5 FZ | FACE PLATE M6X16X1,5 FZ |
| 15 | 3 | 416246 | LÅSEMØTRIK NYLON M6 | LOCKING NUT M6 |
| 16 | 1 | 416247 | KABELHOLDER | CABLE HOLDER |
| 17 | 1 | 411681 | MASKINSKRUE RUSTFRI M6X40 | STAINLESS MACHINE SCREW M6X40 |
| 18 | 1 | 416161 | HOLDER FOR STARTSNOR | HOLDER |
| 19 | 2 | 416168 | HÅNDTAG | HANDLE |
| 20 | 2 | 416165 | AFSTANDBØS | SPACER GLAND |
| 21 | 2 | 416166 | PIN | PIN |
| 22 | 1 | 416248 | STYRRØR UNDER | GUIDE TUBE |
| 23 | 2 | 416172 | LÅSEMØTRIK NYLON | LOCKING NUT |
| 24 | 2 | 416171 | HÅNDTAG | HANDLE |
| 25 | 2 | 416176 | BØS | BUSHING |
| 26 | 2 | 416173 | FJEDER | SPRING |
| 27 | 2 | 416174 | FJEDERSPLIT | SPRING COTTER |
| 28 | 2 | 416249 | RØRSTIFT | PIPE PIN |
| 31 | 2 | 90102310 | PLANSKIVE M8 FZ | FACE PLATE M8 FZ |
| 53 | 2 | 90102914 | STÅLBOLT 8.8 M8X35 | STEEL BOLT M8X35 |
| 108 | 2 | 411024 | HESTESKOSIKRING RUSTFRI 5.0 | STAINLESS HORSESHOE FUSE 5.0 |
| 109 | 2 | 416167 | SKRUE | SCREW |
| 110 | 2 | 416250 | BØS | BUSHING |
| 111 | 2 | 416177 | KABELHOLDER | CABLE HOLDER |

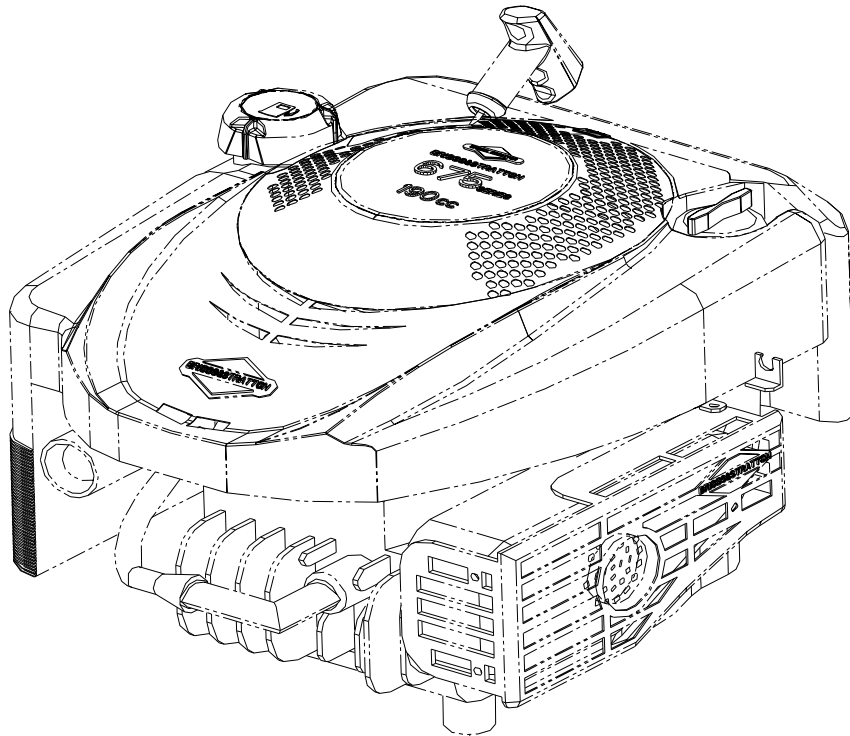


| POS | QTY | PARTNUMBER | BESKRIVELSE | DESCRIPTION |
|-----|-----|------------|---------------------------------|----------------------------------|
| 14 | 4 | 90102309 | PLANSKIVE M6X16X1,5 FZ | FACE PLATE M6X16X1,5 FZ |
| 15 | 4 | 416246 | LÅSEMØTRIK NYLON M6 | LOCKING NUT M6 |
| 23 | 9 | 416172 | LÅSEMØTRIK NYLON | LOCKING NUT |
| 29 | 1 | 416181 | UDKASTERKLAP | DISCHARGE CHUTE |
| 30 | 1 | 416251 | FJEDER | SPRING |
| 31 | 9 | 90102310 | PLANSKIVE M8 FZ | FACE PLATE M8 FZ |
| 32 | 1 | 416252 | AKSEL | SHAFT |
| 33 | 1 | 416234 | FJEDERSPLIT | SPRING COTTER |
| 34 | 1 | 416253 | SKÆRM | GUARD |
| 35 | 5 | 861053 | MASKINSKRUE 6X12 | MACHINE SCREW 6X12 |
| 36 | 1 | 290331 | MASKINSKRUE GUL 5X12 | MACHINE SCREW 5X12 |
| 37 | 1 | 90102308 | PLANSKIVE M5 | FACE PLATE M5 |
| 38 | 1 | 90102308 | PLANSKIVE M5 | FACE PLATE M5 |
| 39 | 1 | 416254 | SKÆRM | GUARD |
| 40 | 1 | 416255 | SKÆRM | GUARD |
| 41 | 1 | 416256 | GUMMIRING | RUBBER RING |
| 42 | 1 | 416257 | STYRHOLDER HØJRE | GUIDE HOLDER |
| 43 | 2 | 90122150 | FLANGEBOLT 8.8 M8X20 FZ | COLLAR BOLT M8X20 FZ |
| 44 | 2 | 90122151 | FLANGEBOLT 8.8 M8X25 FZ | COLLAR BOLT M8X25 FZ |
| 45 | 1 | 416258 | BESLAG | BRACKET |
| 46 | 1 | 416259 | STYRHOLDER VENSTRE | GUIDE HOLDER |
| 47 | 1 | 416260 | KRAVE | SLEEVE |
| 48 | 1 | 416261 | FORSKÆRM | FRONT MUDGUARD |
| 49 | 1 | 416262 | VASKESTUDS | NOZZLE PIPE |
| 50 | 1 | 416263 | BESLAG | BRACKET |
| 51 | 1 | 416264 | AKSEL | SHAFT |
| 52 | 1 | 416200 | SKÆRM | GUARD |
| 53 | 2 | 90102914 | STÅLBOLT 8.8 M8X35 | STEEL BOLT M8X35 |
| 54 | 1 | 416265 | BESLAG | BRACKET |
| 55 | 1 | 296060 | PLADESKRUE MED SPIDS M6.3X16 | PLATE SCREW M6.3X16 |
| 56 | 4 | 408652 | MASKINSKRUE 5X80 | ALLEN BOLT 5X80 |
| 57 | 4 | 408652 | MASKINSKRUE 5X80 | ALLEN BOLT 5X80 |
| 58 | 1 | 416266 | SKINNE VENSTRE | PLATE |
| 59 | 2 | 90101162 | MASKINSKRUE 6X20 | MACHINE SCREW 6X20 |
| 60 | 2 | 411676 | MASKINSKRUE RUSTFRI M6X15 | STAINLESS MACHINE SCREW M6X15 |
| 61 | 1 | 416267 | PLADE UNDER | PLATE |
| 62 | 7 | 296033 | PLADESKRUE MED SPIDS M4.2X32 | PLATE SCREW M4.2X32 |
| 63 | 3 | 296031 | PLADESKRUE MED SPIDS M4.2X22 | PLATE SCREW M4.2X22 |
| 64 | 1 | 416268 | BUNDSTYKKE FORSKÆRM | HEADING |
| 65 | 1 | 416269 | KLIPPESKJOLD | CUTTING DECK |
| 66 | 2 | 90102883 | STÅLBOLT 8.8 M6X20 FZ | STEEL BOLT M6X20 FZ |
| 67 | 2 | 416270 | PLADE | PLATE |
| 68 | 1 | 416271 | SKINNE HØJRE | PLATE |
| 69 | 1 | 416272 | BIOPLUG | MULCING PLUG |
| 112 | 1 | 416273 | KILEREM A762 | V-BELT A762 |
| 113 | 1 | 416274 | TÆTNINGSRING 11.2*2.65 | SEAL RING 11.2*2.65 |
| 114 | 2 | 416198 | FJEDERSPLIT | SPRING COTTER |

| POS | QTY | PARTNUMBER | BESKRIVELSE | DESCRIPTION |
|-----|-----|------------|-------------------------|------------------------|
| 118 | 2 | 90100091 | BRÆDDEBOLT 8.8 M8X50 FZ | CARRIAGE BOLT M8X50 FZ |
| 119 | 1 | 90100143 | BRÆDDEBOLT 8.8 M8X75 FZ | CARRIAGE BOLT M8X75 FZ |



| POS | QTY | PARTNUMBER | BESKRIVELSE | DESCRIPTION |
|-----|-----|------------|-----------------------------|------------------------------|
| 14 | 4 | 90102309 | PLANSKIVE M6X16X1,5 FZ | FACE PLATE M6X16X1,5 FZ |
| 15 | 4 | 416246 | LÅSEMØTRIK NYLON M6 | LOCKING NUT M6 |
| 23 | 1 | 416172 | LÅSEMØTRIK NYLON | LOCKING NUT |
| 31 | 4 | 90102310 | PLANSKIVE M8 FZ | FACE PLATE M8 FZ |
| 33 | 4 | 416234 | FJEDERSPLIT | SPRING COTTER |
| 70 | 2 | 416275 | SPLIT | COTTER |
| 71 | 2 | 416276 | RØRSTIFT 5*20 | PIPE PIN 5*20 |
| 72 | 1 | 416277 | GEARBOX | GEAR BOX |
| 72A | 1 | 430127 | REMHJUL FOR GEARBOX | BELT WHEEL FOR GEARBOX |
| 73 | 2 | 416212 | HJUL BAGHJUL 11" | WHEEL |
| 74 | 4 | 90122148 | FLANGEBOLT 8.8 M8X16 | COLLAR BOLT M8X16 |
| 75 | 2 | 416212 | HJUL BAGHJUL 11" | WHEEL |
| 76 | 1 | 416224 | PALHJUL VENSTRE | RATCHET WHEEL |
| 77 | 1 | 416213 | PALHJUL HØJRE | RATCHET WHEEL |
| 78 | 4 | 90102312 | PLANSKIVE M12 FZ | FACE PLATE M12 FZ |
| 79 | 2 | 416214 | STØVDÆKSEL FOR BAGHJUL | DUST CAP |
| 80 | 2 | 416278 | BØS | BUSHING |
| 81 | 2 | 416279 | LEJEHUS | BEARING HOUSING |
| 82 | 4 | 90102312 | PLANSKIVE M12 FZ | FACE PLATE M12 FZ |
| 83 | 1 | 416280 | BAGAKSEL | REAR AXLE |
| 84 | 1 | 416281 | KONTAKT | SWITCH |
| 85 | 1 | 416282 | HÅNDTAG | HANDLE |
| 86 | 1 | 416283 | AKSEL TIL HØJDEJUSTERING | HEIGHT ADJUSTMENT |
| 87 | 1 | 416284 | FJEDER | SPRING |
| 88 | 1 | 416285 | HØJDEJUSTERING | HEIGHT ADJUSTMENT |
| 89 | 2 | 416286 | JUSTERINGSPLADE | PLATE |
| 90 | 1 | 416287 | FORBINDELSSESSTANG | ROD |
| 91 | 1 | 416288 | SPLIT | COTTER |
| 92 | 1 | 416289 | FORBINDER | CONNECTOR |
| 93 | 2 | 416228 | NAVKAPSEL | HUB CAP |
| 94 | 2 | 416220 | HJUL FORHJUL 8" | WHEEL |
| 95 | 2 | 416290 | FJEDER | SPRING |
| 96 | 4 | 416291 | KRAVE | SLEEVE |
| 97 | 2 | 416292 | BESLAG FORHJUL | BRACKET |
| 98 | 4 | 90122133 | FLANGEBOLT 8.8 M6X30 FZ | COLLAR BOLT M6X30 FZ |
| 99 | 8 | 416227 | LEJE | BEARING |
| 100 | 1 | 416293 | FJEDER | SPRING |
| 115 | 1 | 416294 | SKIVE | WASHER |
| 116 | 1 | 416295 | PLADE | PLATE |
| 120 | 1 | 90102310 | PLANSKIVE M8 FZ | FACE PLATE M8 FZ |
| 121 | 2 | 411028 | HESTESKOSIKRING RUSTFRI 9.0 | STAINLESS HORSESHOE FUSE 9.0 |
| 125 | 1 | 416296 | FORHJUL SPINDEL | STEM |



105

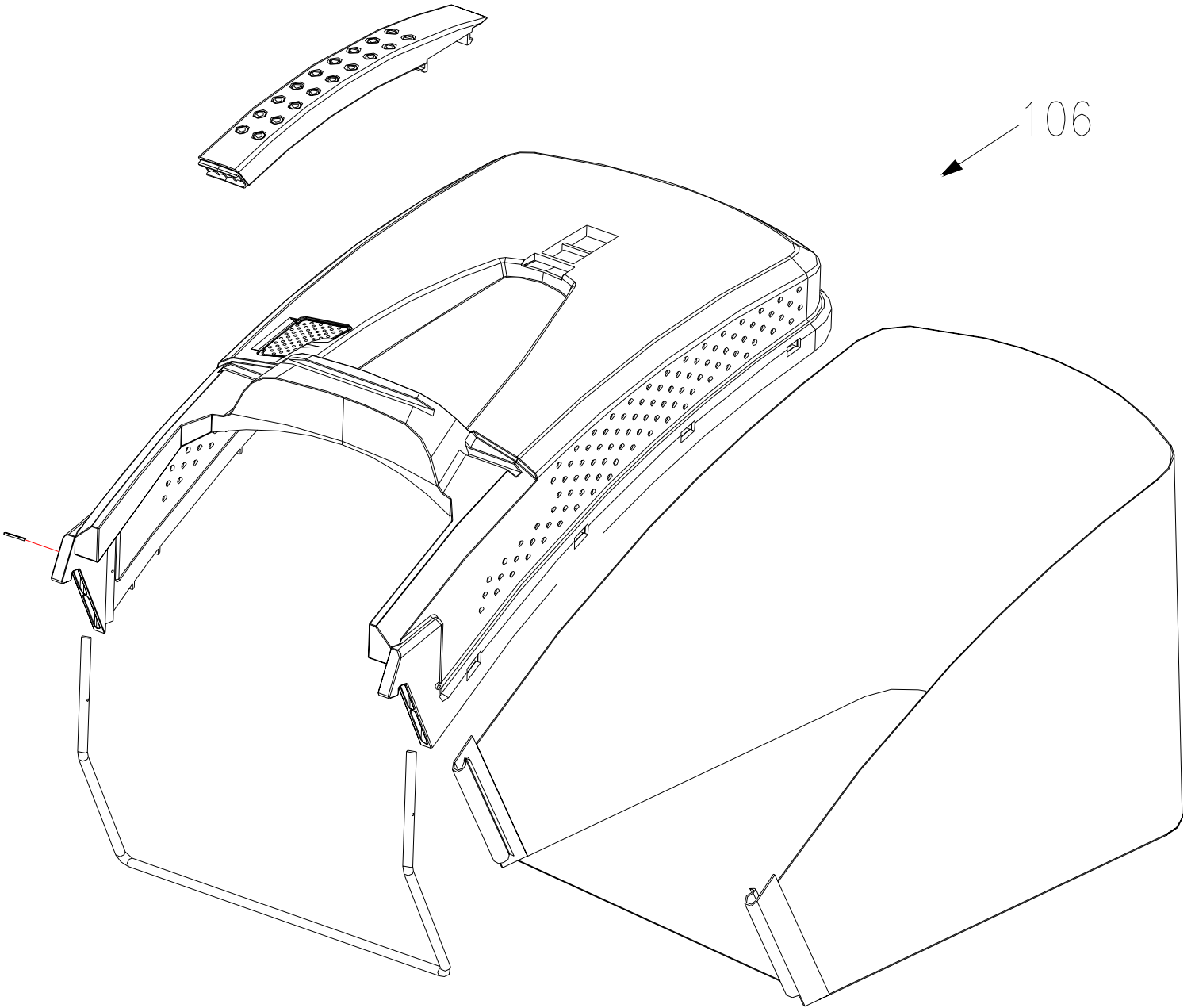
101

102
102A

103

104

| POS | QTY | PARTNUMBER | BESKRIVELSE | DESCRIPTION |
|------|-----|------------|-------------------|--------------------|
| 101 | 1 | 416297 | KNIVHOLDER | BLADE HUB |
| 102 | 1 | 416298 | KNIV | BLADE |
| 102A | 1 | 83295103 | BIOKNIV 40" | MULCHING BLADE 40" |
| 103 | 1 | 416238 | SKIVE FOR KNIV | WASHER |
| 104 | 1 | 416239 | STÅLBOLT FOR KNIV | STEEL BOLT |
| 105 | 1 | 416299 | BØS | BUSHING |



| POS | QTY | PARTNUMBER | BESKRIVELSE | DESCRIPTION |
|-----|-----|------------|-------------|-------------|
| 106 | 1 | 416300 | OPSAMLER | COLLECTOR |