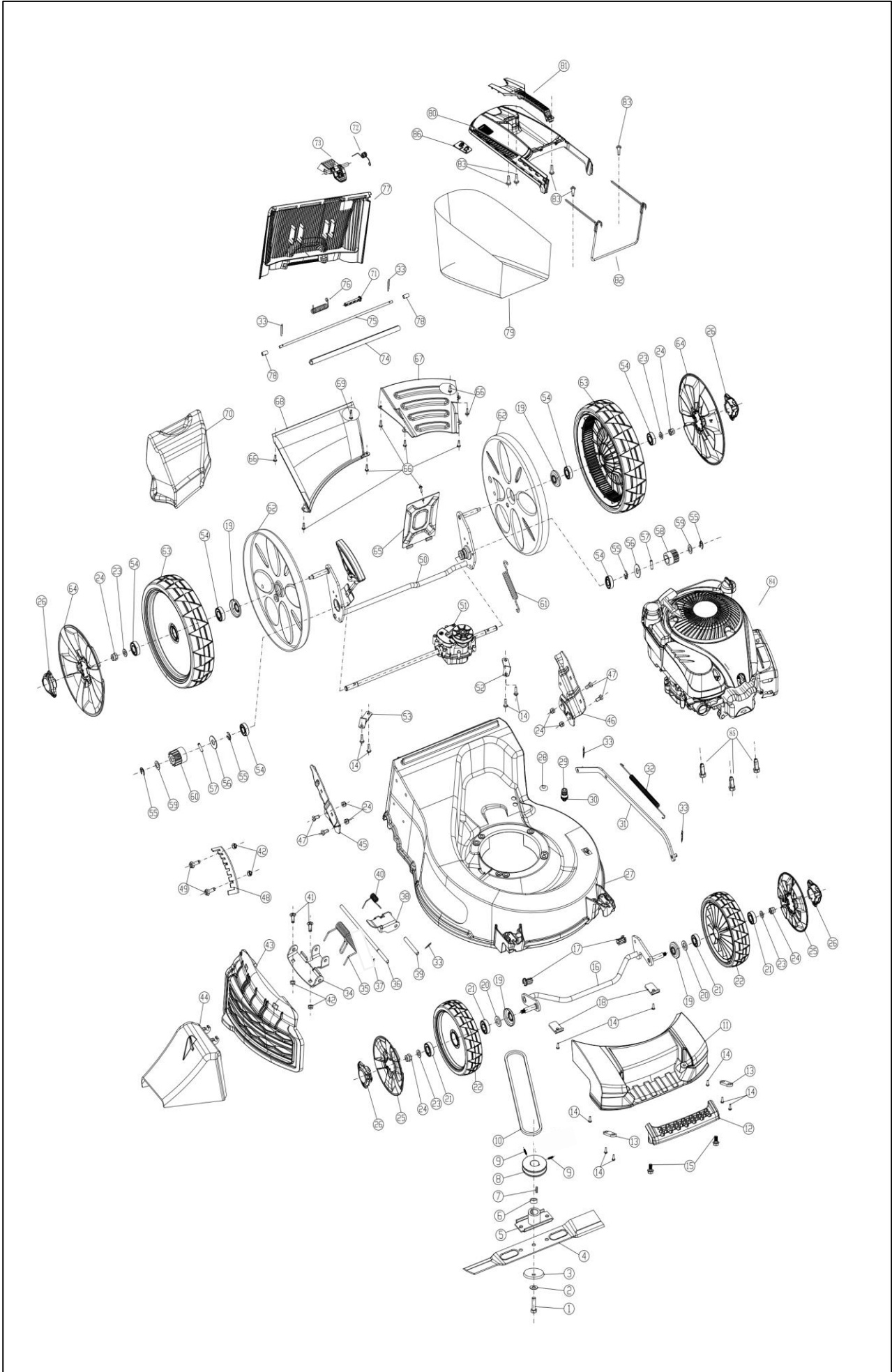


Model: WLA 5321TR/W

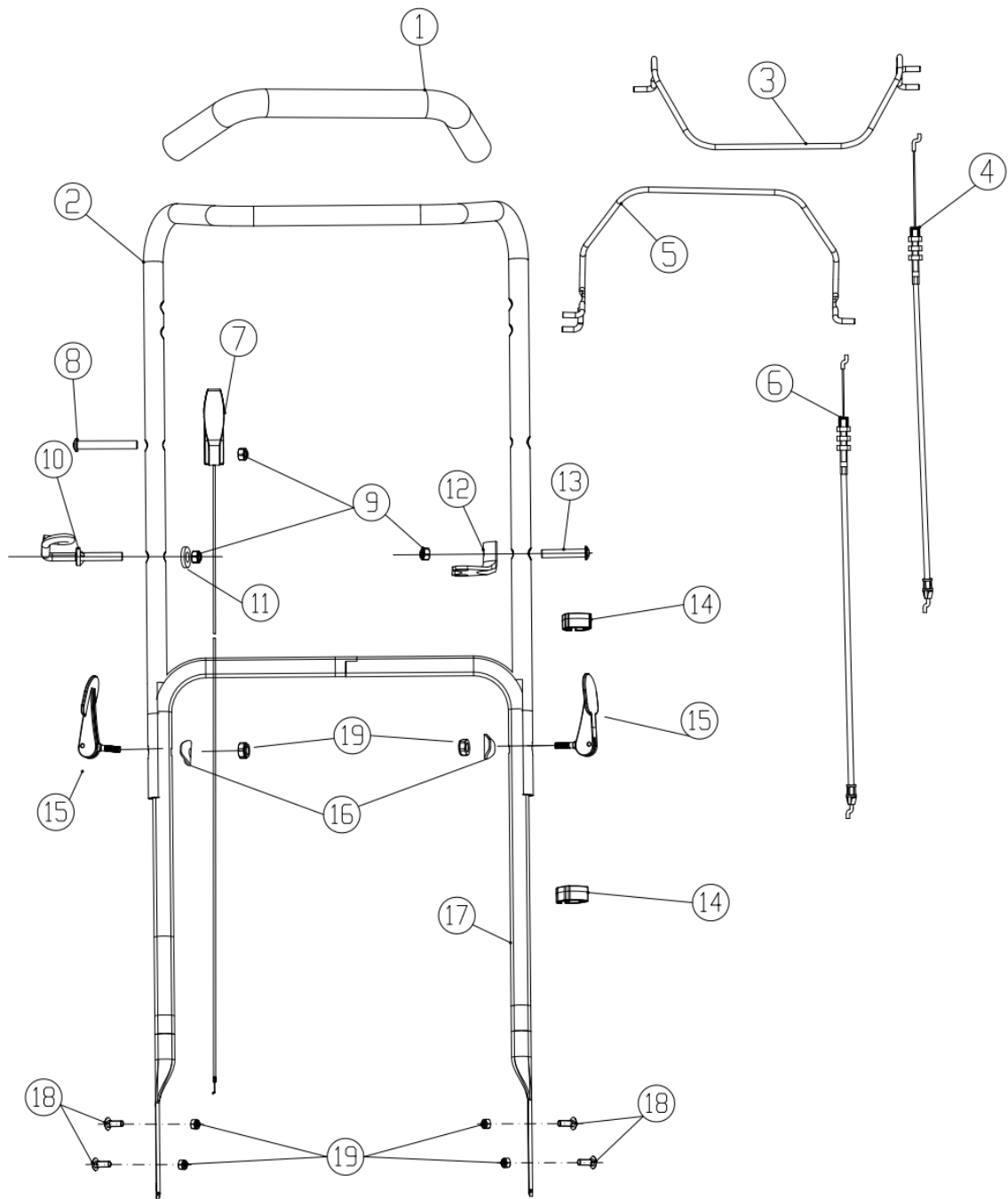
Part Number: 90066241

Year: 2021



POS	QTY	PARTNUMBER	BESKRIVELSE	DESCRIPTION
1	1	447871	KNIVBOLT 3/8-24X38	BOLT FOR CRANKSHAFT 3/8-24X38
2	1	447872	SKIVE 10.2X21X1.5	FLAT WASHER 10.2X21X1.5
3	1	447873	SKIVE	WAVE WASHER
4	1	447874	KNIV	21IN STANDARD BLADE
5	1	447875	KNIVHOLDER	BLADE ADAPTER
6	1	447876	BØS Ø22*Ø12.5*10	SPACER FOR BLADE ADAPTER
7	1	447877	STIFT	HALF-CIRCLE KEY
8	1	447878	REMHJUL Ø22.2*4*Ø70	PULLEY WHEEL
9	2	447879	SKRUE M6X12	M6X12 SCREW
10	1	447880	KILEREM Z-762	BELT Z-762
11	1	447881	FRONT COVER	ALUMINUM FRONT COVER
12	1	447882	PANEL LØFTEHÅNDTAG	LIFTING HANDLE, PANEL
13	2	447883	FORBINDER	CONNECTOR
14	12	447884	SKRUE 1/4-20X20	SCREW 1/4-20X20
15	2	447885	LÅSEBOLT M8X18	M8X18 LOCKNUT OF NYLON
16	1	447886	FRONTAKSEL	FRONT WHEEL AXLE ASSY.
17	2	447887	RING	FRONT AXLE LINING
18	2	447888	BESLAG	BRACKET FOR FRONT AXLE
19	4	447889	STØVAFDÆKNING	AXLE ANTI-DUST COVER
20	2	447890	SKIVE	WASHER
21	4	447891	LEJE	BEARING
22	2	447892	FORHJUL 8"	"8"" DRIVING WHEEL ASSY."
23	4	447893	SKIVE	?8 PLAT WASHER
24	8	447894	LÅSEMØTRIK M8	M8 LOCKNUT OF NYLON
25	2	447895	HJULKAPSEL 8"	"8"" WHEEL COVER - BIG"
26	4	447896	HJULNAV	WHEEL COVER- SMALL
27	1	447897	KLIPPESKJOLD	SELF-PROPELLED ALU.CHASSIS ASSEMBLE
28	1	447898	KABELSKJOLD	CABLE COVER
29	1	447899	SLANGESTIK	HOSE CONNECTOR
30	1	447900	O-RING	O RING
31	1	447901	JUSTERARM	ADJUST LINK ASSY.
32	1	447902	FJEDER	SPRING FOR CONNECTING LINK
33	5	447903	CLIPS	CLIP FOR CONNECTING LINK
34	1	447904	BESLAG	BRACKET FOR SIDE-DISCHARGE
35	1	447905	FJEDER	SPRING FOR SIDE-DISCHARGE BRACKET
36	1	447906	AKSEL	AXLE OF SIDE-DISCHARGE BRACKET
38	1	447907	LÅS	LATCH OF SIDE-DISCHARGE
39	1	447908	AKSEL	AXLE OF SIDE-DISCHARGE LATCH
40	1	447909	FJEDER	SPRING OF SIDE-DISCHARGE LATCH
41	2	447910	BOLT M6	COACH BOLT M6
42	4	447911	LÅSEMØTRIK M6	M6 LOCKNUT OF NYLON
43	1	447912	SIDEUDKASTER KLAP	DEFLECTOR, CHUTE, SIDE DISCHARGE
44	1	447913	COVER	COVER, MULCH

POS	QTY	PARTNUMBER	BESKRIVELSE	DESCRIPTION
45	1	447914	BESLAG HØJRE	RIGHT BRACKET FOR HANDLE
46	1	447915	BESLAG VENSTRE	LEFT BRACKET FOR HANDLE
47	4	447916	BOLT M8X20	BOLT M8X20
48	1	447917	HØJDEJUSTERING	HEIGHT ADJUSTMENT PLANT
49	2	447918	BOLT M6X14	BOLT M6X14
50	1	447919	BAGAKSEL KPL	REAR AXLE ASSY.
51	1	447920	GEARBOX	GEAR BOX ASSY.
52	1	447921	BESLAG VENSTRE	MOUNTING PLATE FOR REAR AXLE - LEFT
53	1	447922	BESLAG HØJRE	MOUNTING PLATE FOR REAR AXLE - RIGHT
54	6	447923	LEJE	BEARING 6001
55	4	447924	LÅSESKIVE	COTTER ?9
56	2	447925	SKIVE	FLAT WASHER
57	2	447926	STIFT	CYLINDRICAL PIN
58	1	447927	GEAR VENSTRE	INNER GEARING GEAR OF LEFT AXLE
59	2	447928	SKIVE	ADJUSTIMH WASHER
60	1	447929	GEAR HØJRE	INNER GEARING GEAR OF RIGHT AXLE
61	1	447930	FJEDER	SPRING FOR GEAR BOX
62	2	447931	BESKYTTELSE	PROTECTIVE COVER
63	2	447932	BAGHJUL 12"	"12"" DRIVING WHEEL ASSY."
64	2	447933	HJULKAPSEL 12"	"12""WHEEL COVER - BIG"
65	1	447934	PLADE	PROTECTIVE PLATE
66	9	447935	SKRUE 4.8X12	SCREW 4.8X12
67	1	447936	KILEREMSKJOLD	BELT COVER
68	1	447937	BUNDPLADE	AIR DUCT BASE PLATE
69	1	447938	SKRUE 4.8X16	SCREW 4.8X16
70	1	447939	BIOPLUG	MULCH PLUG
71	1	447940	FLAPAKSEL	TRANSPARENT PIPE, FLAPE AXLE
72	1	447941	FJEDER	SPRING REAR DISCHARGE
73	1	447942	LÅS BAGKLAP	LOCK SEIZING OF REAR FLAP
74	1	447943	STØTTESTANG	SUPPORT BAR
75	1	447944	AKSEL	AXLE OF REAR FLAP
76	1	447945	FJEDER	SPRING REAR AXLE
77	1	447946	BAGKLAP	REAR FLAP - DEFLECTOR ASSY
78	2	447947	PLASTIK COVER	PLASTIC COVER OF REAR FLAP AXEL
79	1	447948	OPSAMLERPOSE	GRASS BAG
80	1	447949	OPSAMLERTOP	COVER OF GRASS BAG
81	1	447950	OPSAMLERHÅNDTAG	HANDLE OF GRASS BAG
82	1	447951	OPSAMLERSTATIV	GRASS BAG RACK
83	5	447952	SKRUE 4*16	SCREW 4*16
84	1	TG670V-2	TG670V-2	
85	4	447953	BOLT 3/8-16*37	3/8-16*37 BOLT FOR ENGINE
86	1	447954	GRÆSOPSAMLER INDIKATOR	WINDOW SHOWING FILL



POS	QTY	PARTNUMBER	BESKRIVELSE	DESCRIPTION
1	1	447955	SOFT GRIB	SHEATH FOR HANDLE
2	1	447956	ØVRE HÅNDTAG	UPPER HANDLE
3	1	447957	FREMTRÆK BØJLE	CLUTCH OPERATING LEVER
4	1	447958	KOBLINGSKABEL	CLUTCH CABLE ASSY.
5	1	447959	STOPBØJLE	BRAKE LEVER
6	1	447960	STOPKABEL	BRAKE CABLE ASSY
7	1	447961	GASKABEL	THROTTLE CABLE ASSY.
8	1	447962	BOLT M6X60	BOLT M6X60
9	3	447911	LÅSEMØTRIK M6	M6 LOCKNUT OF NYLON
10	1	447963	REKYLSTARTER HOLDER	GUIDE-ROPE
11	1	447964	SKIVE	FLAP WASHER ?6
12	1	447965	KABELHOLDER	HOLDER FOR CLUTCH CABLE
13	1	447966	BOLT M6X36	BOLT M6X35
14	2	447967	KABELKLEMME	CLI-CABLE SINGLE
15	2	447968	FINGERSKRUE	SPANNER
16	2	447969	SKIVE	WASHER
17	1	447970	NEDRE HÅNDTAG	LOWER HANDLE
18	4	447971	BOLT	SQUARE NECK BOLT
19	6	447894	LÅSEMØTRIK M8	M8 LOCKNUT OF NYLON