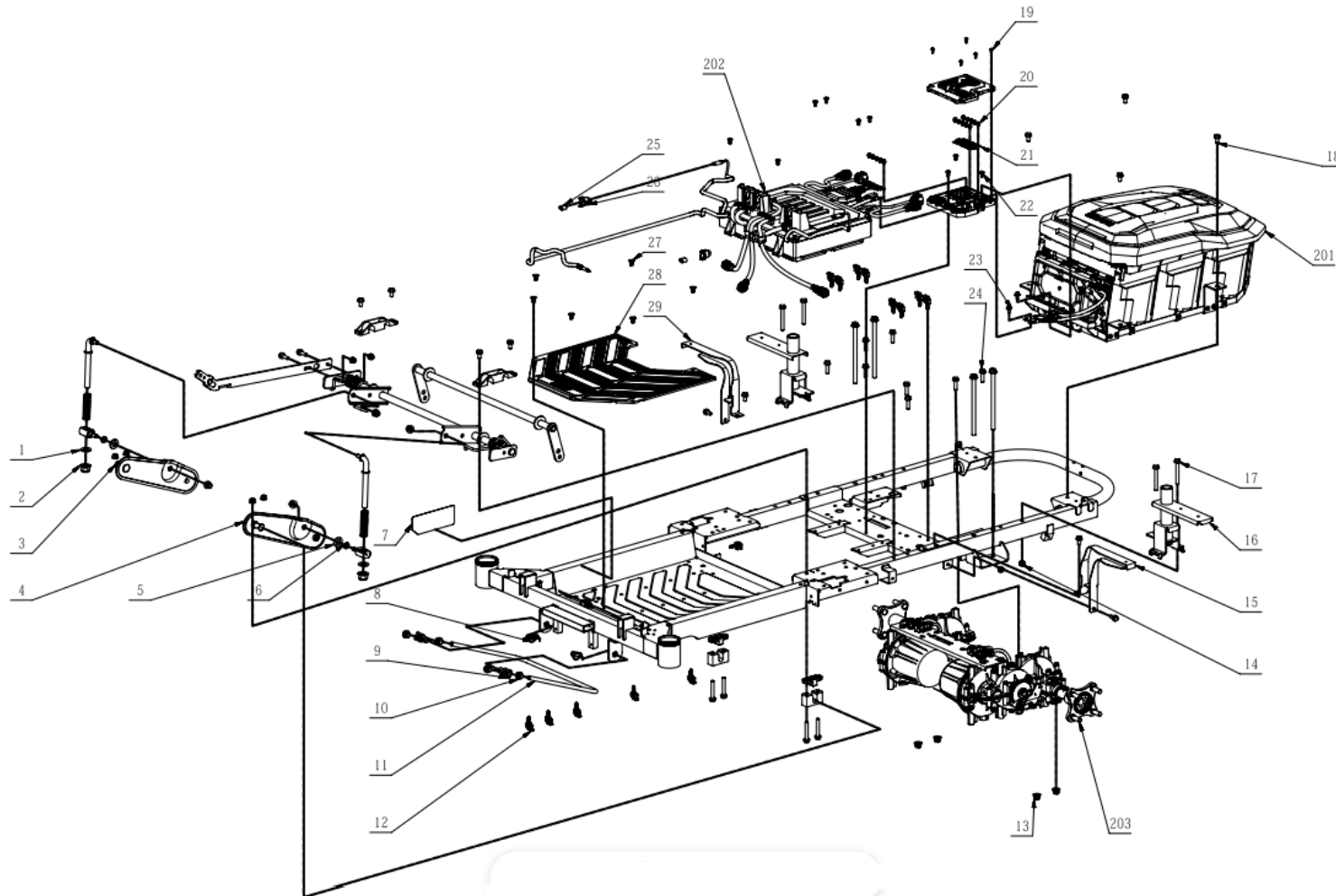
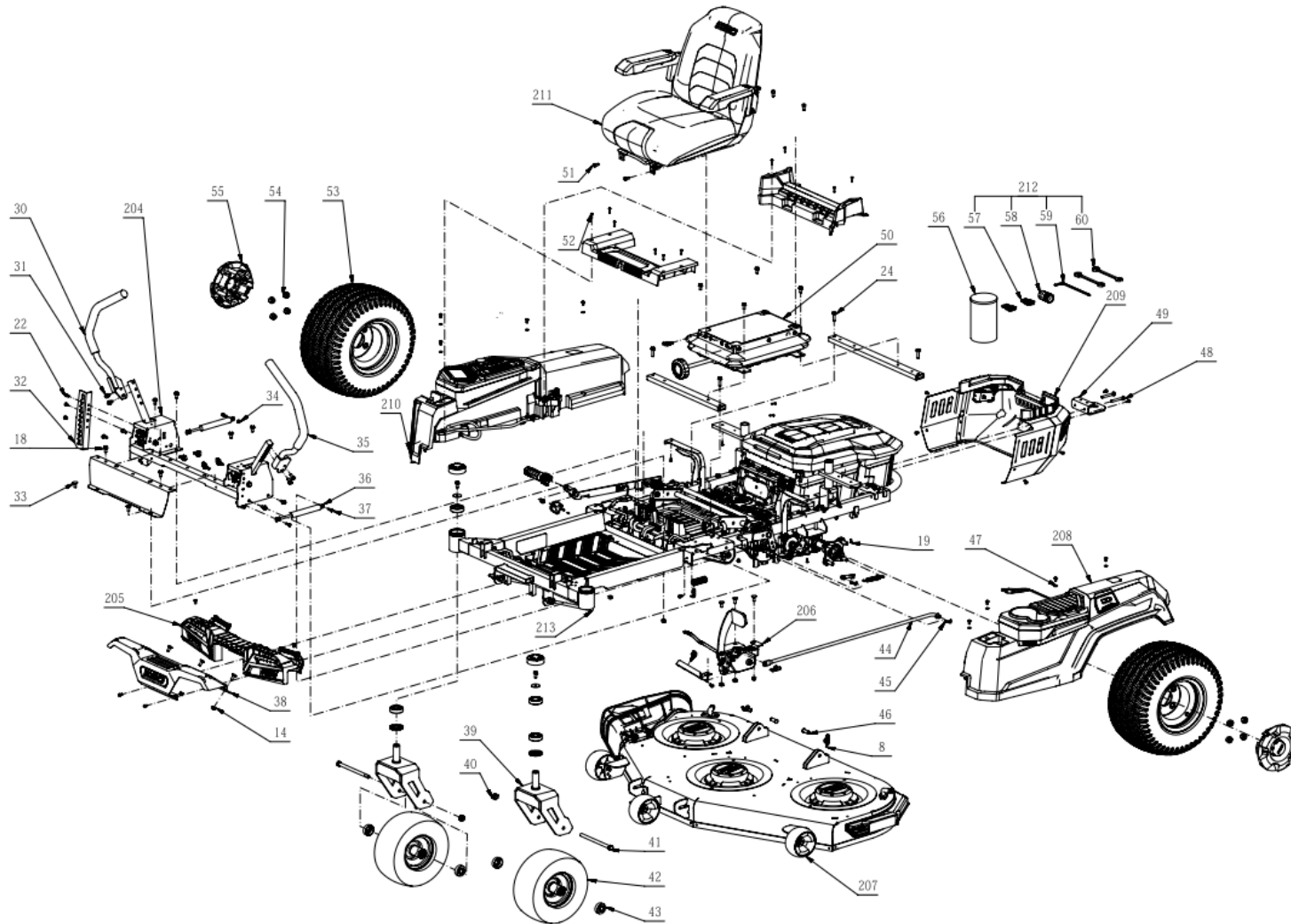




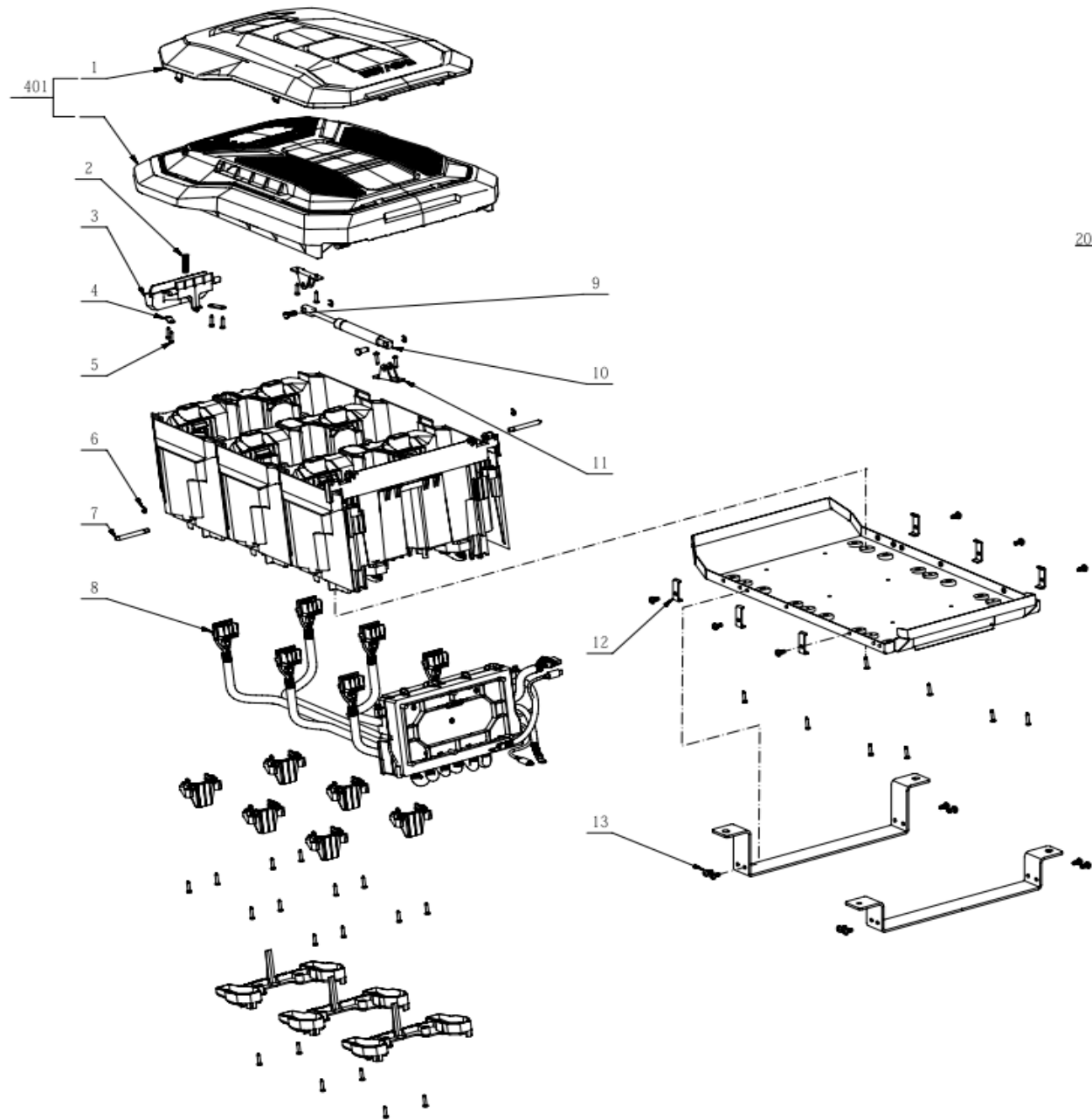
Model: Zero turn 52"  
Part no.: 90067370  
Year: 2023



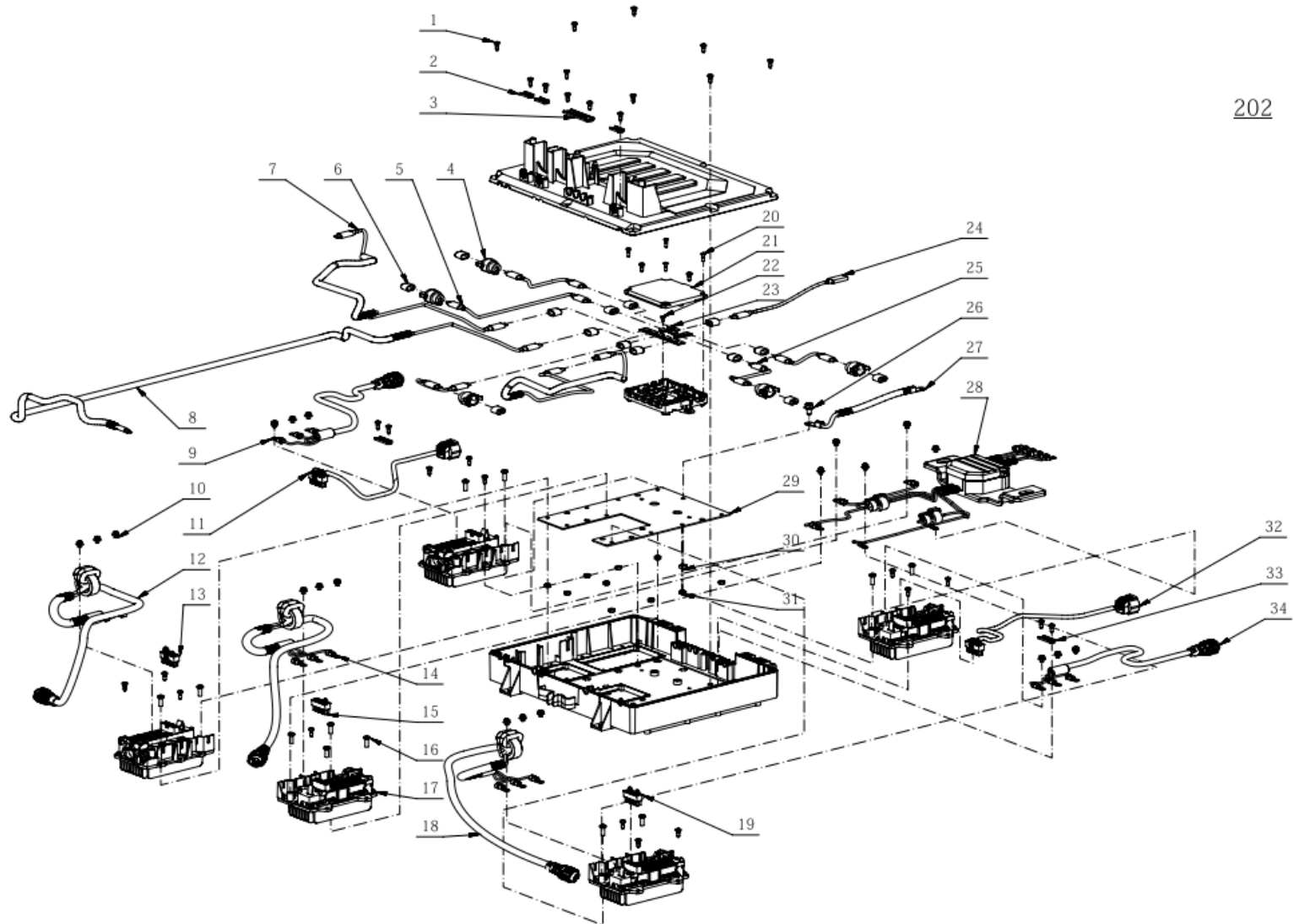


POS	QTY	PARTNUMBER	BESKRIVELSE	DESCRIPTION
1	2	450335	PLAIN WASHER	PLAIN WASHER
2	2	451419	PREVAILING TORQUE TYPE HEXAGON LOCK NUT	PREVAILING TORQUE TYPE HEXAGON LOCK NUT
3	1	449704	RIGHT LIFT ARM ASSEMBLY	RIGHT LIFT ARM ASSEMBLY
4	1	449705	LEFT LIFT ARM ASSEMBLY	LEFT LIFT ARM ASSEMBLY
5	2	450334	PLAIN WASHER	PLAIN WASHER
6	2	450373	SEAL RING	SEAL RING
7	1	451420	NAMEPLATE	NAMEPLATE
8	2	450358	SPLIT PIN	SPLIT PIN
9	2	449974	CONNECTING ROD SPINDLE	CONNECTING ROD SPINDLE
10	4	450284	HEXAGON NUT	HEXAGON NUT
11	1	450117	HANGER ROD	HANGER ROD
12	15	449914	WIRE HOLDER	WIRE HOLDER
13	8	450287	NUT	NUT
14	9	450290	LOCK NUT	LOCK NUT
15	1	450131	LEFT SUPPORTING PLATE	LEFT SUPPORTING PLATE
16	2	449717	SUPPORT ASSEMBLY	SUPPORT ASSEMBLY
17	4	450317	FLANGE BOLT	FLANGE BOLT
18	14	450315	HEXAGON FLANGE HEAD THREAD FORMING SCREW	HEXAGON FLANGE HEAD THREAD FORMING SCREW
19	4	450271	HEXAGON SOCKET SCREW	HEXAGON SOCKET SCREW
20	15	447503	SCREW WITH WASHER	SCREW WITH WASHER
21	5	450239	FUSE	FUSE
22	25	450253	SCREW	SCREW
23	2	450318	HEX SERRATED FLANGE SCREW	HEX SERRATED FLANGE SCREW
24	4	450316	HEXAGON FLANGE HEAD THREAD FORMING SCREW	HEXAGON FLANGE HEAD THREAD FORMING SCREW
25	3	449986	RUBBER SLEEVE	RUBBER SLEEVE
26	3	449902	WIRE HOLDER	WIRE HOLDER
27	6	449939	HOOK	HOOK
28	1	449933	BASE FOOT	BASE FOOT
29	1	450132	RIGHT SUPPORTING PLATE	RIGHT SUPPORTING PLATE
30	1	449733	RIGHT HANDLE SET	RIGHT HANDLE SET
31	6	450297	HEXAGON FLANGE BOLT	HEXAGON FLANGE BOLT
32	1	450118	DEPTH STOP PLATE	DEPTH STOP PLATE
33	8	450314	SMALL ROUND HEAD LOW SQUARE NECK BOLT	SMALL ROUND HEAD LOW SQUARE NECK BOLT
34	2	450286	NUT	NUT
35	1	449728	LEFT HANDLE SET	LEFT HANDLE SET
36	2	449711	DAMPER	DAMPER
37	4	450306	HEXAGON HEAD BOLT	HEXAGON HEAD BOLT
38	1	449756	FOOTREST PEDAL ASSEMBLY	FOOTREST PEDAL ASSEMBLY
39	2	451421	FRONT WHEEL BRACKET ASSEMBLY	FRONT WHEEL BRACKET ASSEMBLY
40	2	450285	NUT	NUT
41	2	451422	HEXAGON HEAD BOLT	HEXAGON HEAD BOLT
42	2	451423	FRONT WHEEL SET	FRONT WHEEL SET
43	4	449888	BEARING COVER	BEARING COVER
44	1	449706	CONNECTING ROD ASSEMBLY	CONNECTING ROD ASSEMBLY

POS	QTY	PARTNUMBER	BESKRIVELSE	DESCRIPTION
45	3	450359	COTTER PIN	COTTER PIN
46	2	450356	PIN SHAFT	PIN SHAFT
47	8	450321	PLAIN WASHER	PLAIN WASHER
48	2	450309	FLANGE BOLT-LARGE SERIES	FLANGE BOLT-LARGE SERIES
49	1	450142	HITCH	HITCH
50	1	449723	SHOCK ABSORBER	SHOCK ABSORBER
51	4	450259	HEXAGON SOCKET SCREW	HEXAGON SOCKET SCREW
52	10	450275	TAPPING SCREW	TAPPING SCREW
53	2	451424	REAR WHEEL SET	REAR WHEEL SET
54	8	450291	CONICAL NUT	CONICAL NUT
55	2	449925	REAR HUBCAP	REAR HUBCAP
56	1	450383	GREASE	GREASE
57	1	449778	KEY ASSEMBLY	KEY ASSEMBLY
58	1	449660	QUICK CONNECT COUPLING	QUICK CONNECT COUPLING
59	1	450364	HEXAGON SOCKET SCREW KEY	HEXAGON SOCKET SCREW KEY
60	2	450363	COMBINATION WRENCH	COMBINATION WRENCH
201	1	451425	BATTERY BOX ASSEMBLY	BATTERY BOX ASSEMBLY
202	1	451426	CONTROL BOX ASSEMBLY	CONTROL BOX ASSEMBLY
203	1	449729	DRIVE TRAIN ASSEMBLY	DRIVE TRAIN ASSEMBLY
204	1	451427	CONTROL ASSEMBLY	CONTROL ASSEMBLY
205	1	449700	FRONT FRAME ASSEMBLY	FRONT FRAME ASSEMBLY
206	1	449725	PARKING ASSEMBLY	PARKING ASSEMBLY
207	1	451428	DECK UNIT	DECK UNIT
208	1	451429	LEFT COVER ASSEMBLY	LEFT COVER ASSEMBLY
209	1	449732	REAR GUARD ASSEMBLY	REAR GUARD ASSEMBLY
210	1	451430	RIGHT COVER ASSEMBLY	RIGHT COVER ASSEMBLY
211	1	449731	DAMPING SEAT ASSEMBLY	DAMPING SEAT ASSEMBLY
212	1	449648	ACCESSORY BOX	ACCESSORY BOX



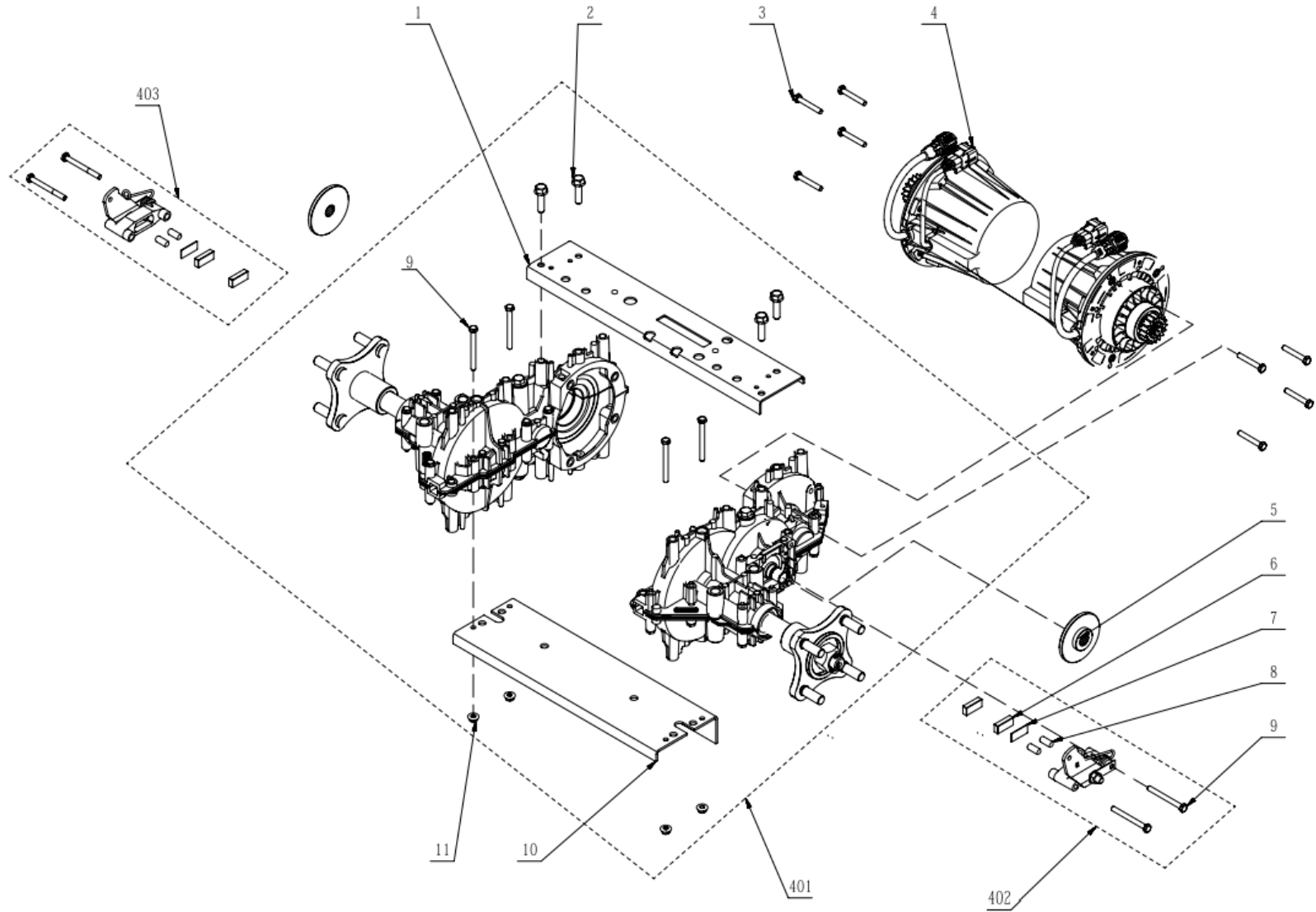
POS	QTY	PARTNUMBER	BESKRIVELSE	DESCRIPTION
1	1	449883	REAR TRANSPARENT GUARD	REAR TRANSPARENT GUARD
2	1	450077	COMPRESSION SPRING	COMPRESSION SPRING
3	1	449890	LATCH	LATCH
4	2	450102	CLAMP	CLAMP
5	54	447469	TAPPING SCREW	TAPPING SCREW
6	4	450345	E RING	E RING
7	2	449975	SPINDLE	SPINDLE
8	1	450378	BMS ELECTRIC ASSEMBLY	BMS ELECTRIC ASSEMBLY
9	2	450357	PIN SHAFT	PIN SHAFT
10	1	450084	GAS SPRING	GAS SPRING
11	2	450128	SUPPORT BASE	SUPPORT BASE
12	6	450129	HOOK	HOOK
13	14	450253	SCREW	SCREW
401	1	449792	BATTERY BOX COVER ASSEMBLY	BATTERY BOX COVER ASSEMBLY



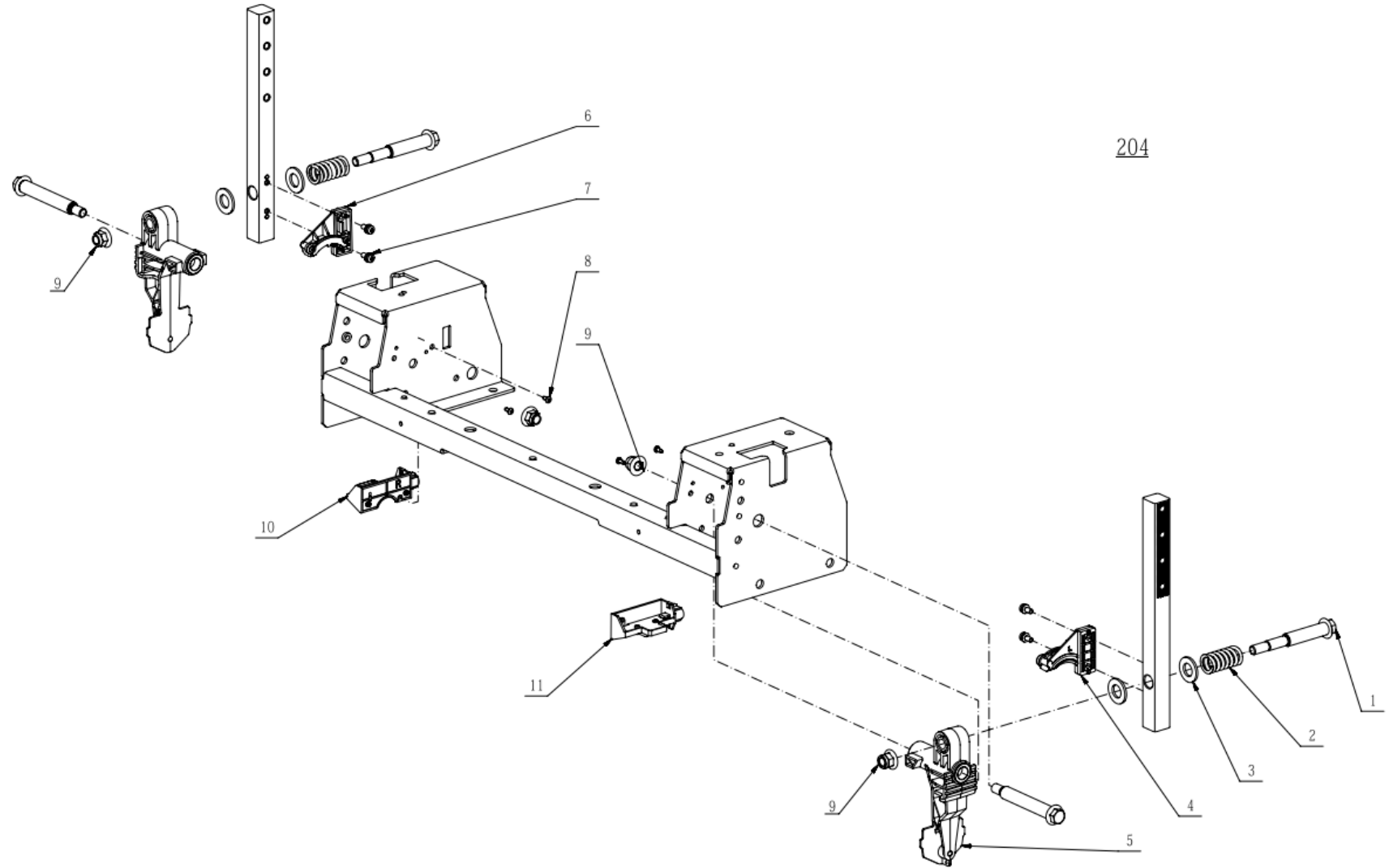
POS	QTY	PARTNUMBER	BESKRIVELSE	DESCRIPTION
1	32	450271	HEXAGON SOCKET SCREW	HEXAGON SOCKET SCREW
2	3	447271	CORD ANCHORAGE	CORD ANCHORAGE
3	1	451431	CORD ANCHORAGE	CORD ANCHORAGE
4	5	449902	WIRE HOLDER	WIRE HOLDER
5	1	450207	TYPE-C MALE-MALE WIRE	TYPE-C MALE-MALE WIRE
6	5	449986	RUBBER SLEEVE	RUBBER SLEEVE
7	1	450214	TYPE-C MALE-MALE WIRE	TYPE-C MALE-MALE WIRE
8	1	450213	TYPE-C MALE-MALE WIRE	TYPE-C MALE-MALE WIRE
9	1	450217	MOTOR WIRE HARNESS	MOTOR WIRE HARNESS
10	20	447503	SCREW WITH WASHER	SCREW WITH WASHER
11	1	450200	WIRE HARNESS	WIRE HARNESS
12	1	451432	MOTOR WIRE HARNESS	MOTOR WIRE HARNESS
13	1	450199	MOTOR WIRING HARNESS	MOTOR WIRING HARNESS
14	1	451433	MOTOR WIRE HARNESS	MOTOR WIRE HARNESS
15	1	451434	MOTOR WIRING HARNESS	MOTOR WIRING HARNESS
16	12	450264	SCREW	SCREW
17	5	451435	CONTROL ELECTRIC ASSEMBLY	CONTROL ELECTRIC ASSEMBLY
18	1	451436	MOTOR WIRE HARNESS	MOTOR WIRE HARNESS
19	1	450198	MOTOR WIRING HARNESS	MOTOR WIRING HARNESS
20	1	450251	TAPPING SCREW	TAPPING SCREW
21	1	450181	PCB BOX	PCB BOX
22	1	450243	TAPPING SCREW	TAPPING SCREW
23	1	450233	CONNECTING PCBA	CONNECTING PCBA
24	1	450205	TYPE-C MALE-FEMALE WIRE	TYPE-C MALE-FEMALE WIRE
25	1	450208	TYPE-C MALE-MALE WIRE	TYPE-C MALE-MALE WIRE
26	1	450318	HEX SERRATED FLANGE SCREW	HEX SERRATED FLANGE SCREW
27	1	451437	HOST POWER WIRE HARNESS	HOST POWER WIRE HARNESS
28	1	451438	MAGNET RING ASSEMBLY	MAGNET RING ASSEMBLY
29	1	450135	BASE PLATE	BASE PLATE
30	1	447514	PREVAILING TORQUE HEXAGON NUT	PREVAILING TORQUE HEXAGON NUT
31	10	450282	PREVAILING TORQUE HEXAGON NUT	PREVAILING TORQUE HEXAGON NUT
32	1	450201	WIRE HARNESS	WIRE HARNESS
33	2	450137	CORD ANCHORAGE	CORD ANCHORAGE
34	1	450218	MOTOR WIRE HARNESS	MOTOR WIRE HARNESS



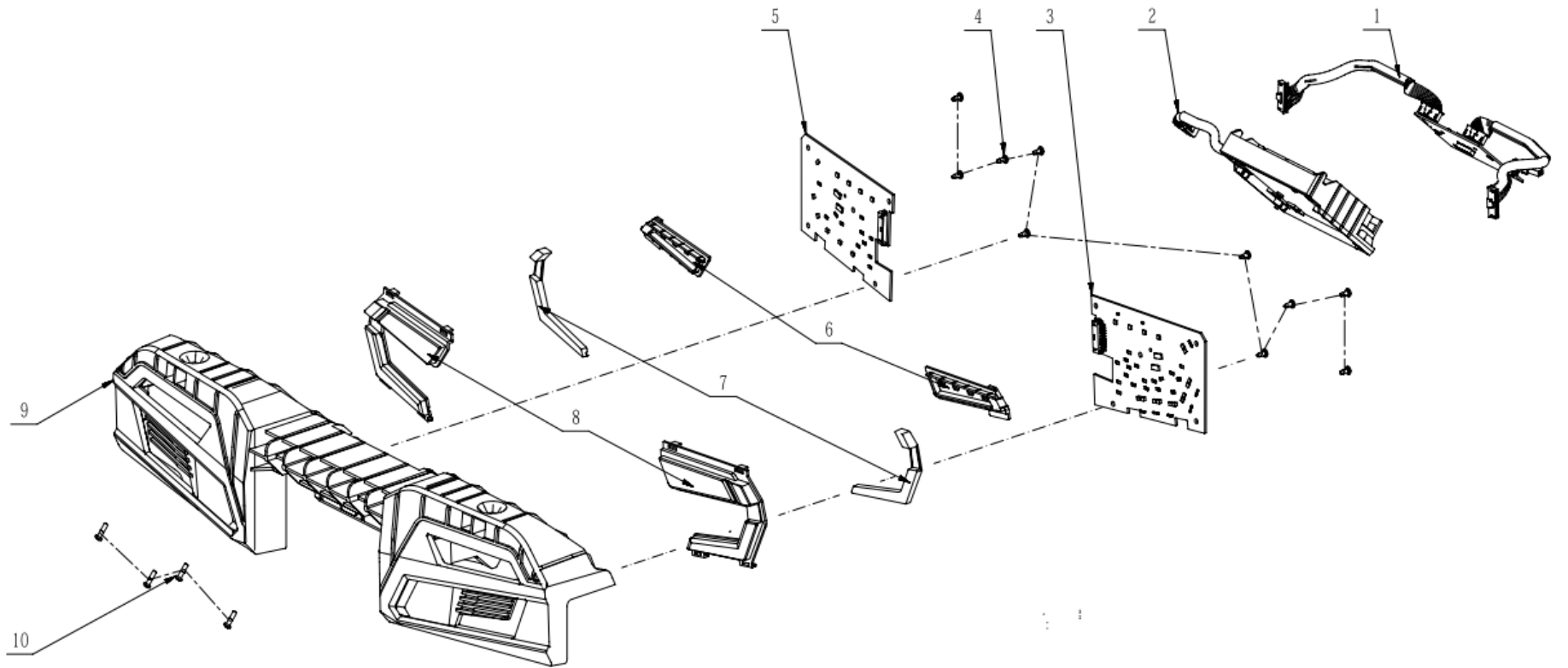
203



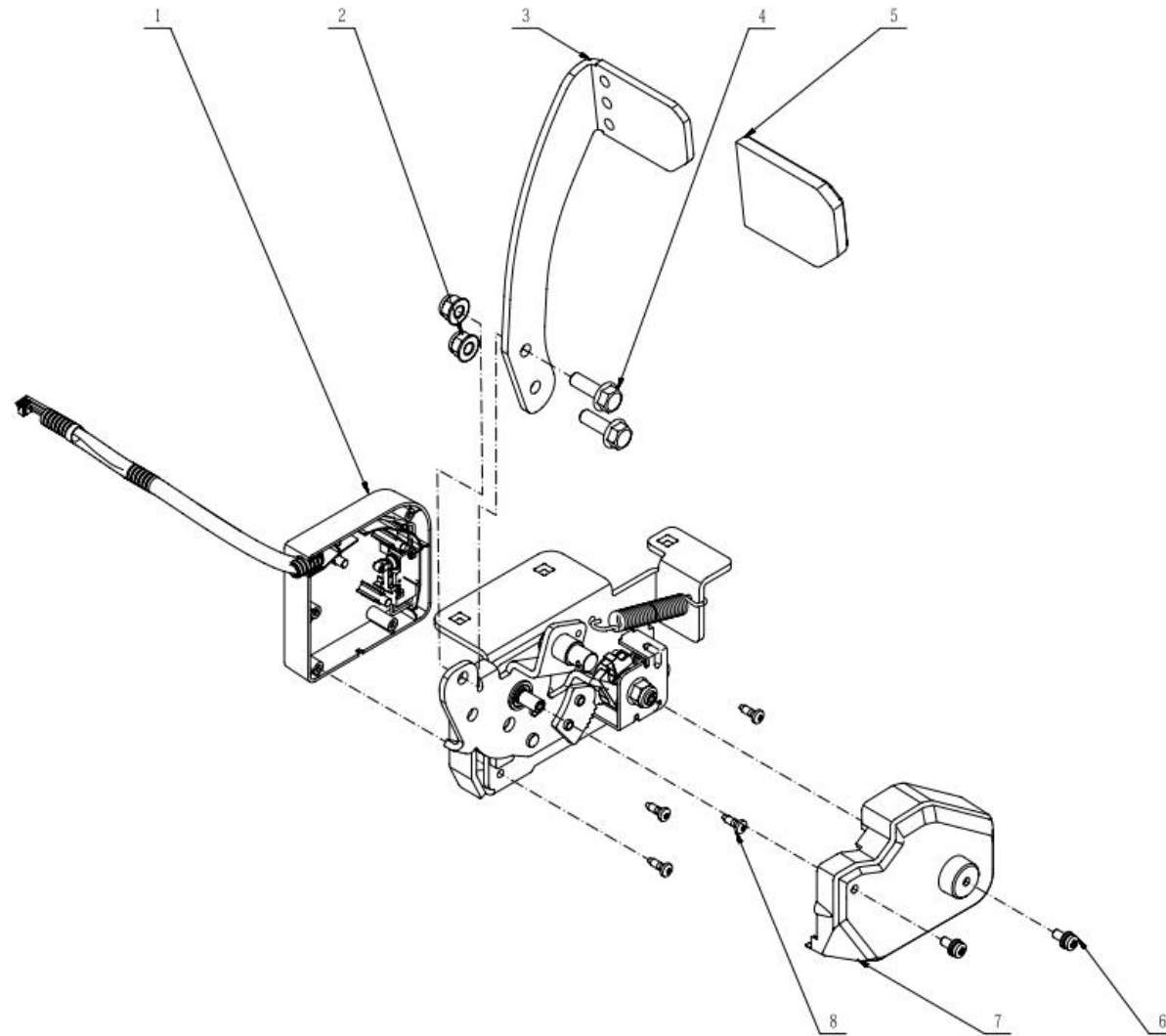
POS	QTY	PARTNUMBER	BESKRIVELSE	DESCRIPTION
1	1	450139	CONNECTING PLATE	CONNECTING PLATE
2	4	450316	HEXAGON FLANGE HEAD THREAD FORMING SCREW	HEXAGON FLANGE HEAD THREAD FORMING SCREW
3	8	450300	HEXAGON HEAD BOLT	HEXAGON HEAD BOLT
4	2	449649	DC MOTOR	DC MOTOR
5	2	449977	BRAKE DISC	BRAKE DISC
6	2	449969	FRICTION BLOCK	FRICTION BLOCK
7	1	450114	SCALEBOARD	SCALEBOARD
8	2	450355	PARALLEL PIN	PARALLEL PIN
9	4	450294	HEXAGON HEAD BOLT	HEXAGON HEAD BOLT
10	1	450138	CONNECTING PLATE	CONNECTING PLATE
11	4	450286	NUT	NUT
401	1	449753	GEAR CASE ASSEMBLY	GEAR CASE ASSEMBLY
402	1	449767	RIGHT BRACKET ASSEMBLY	RIGHT BRACKET ASSEMBLY
403	1	449766	LEFT BRACKET ASSEMBLY	LEFT BRACKET ASSEMBLY



POS	QTY	PARTNUMBER	BESKRIVELSE	DESCRIPTION
1	2	450307	HEXAGON FLANGE HEAD SCREW WITH SHOULDER	HEXAGON FLANGE HEAD SCREW WITH SHOULDER
2	2	450085	COMPRESSION SPRING	COMPRESSION SPRING
3	2	450334	PLAIN WASHER	PLAIN WASHER
4	1	449783	MAGNETIC HOLDER ASSEMBLY	MAGNETIC HOLDER ASSEMBLY
5	2	449781	ROTATING LEVER	ROTATING LEVER
6	1	449782	MAGNETIC HOLDER ASSEMBLY	MAGNETIC HOLDER ASSEMBLY
7	4	450269	SCREW WITH WASHER	SCREW WITH WASHER
8	4	450243	TAPPING SCREW	TAPPING SCREW
9	4	450287	NUT	NUT
10	1	449726	RIGHT HALL PCB BOX	RIGHT HALL PCB BOX
11	1	449727	LEFT HALL PCB BOX	LEFT HALL PCB BOX

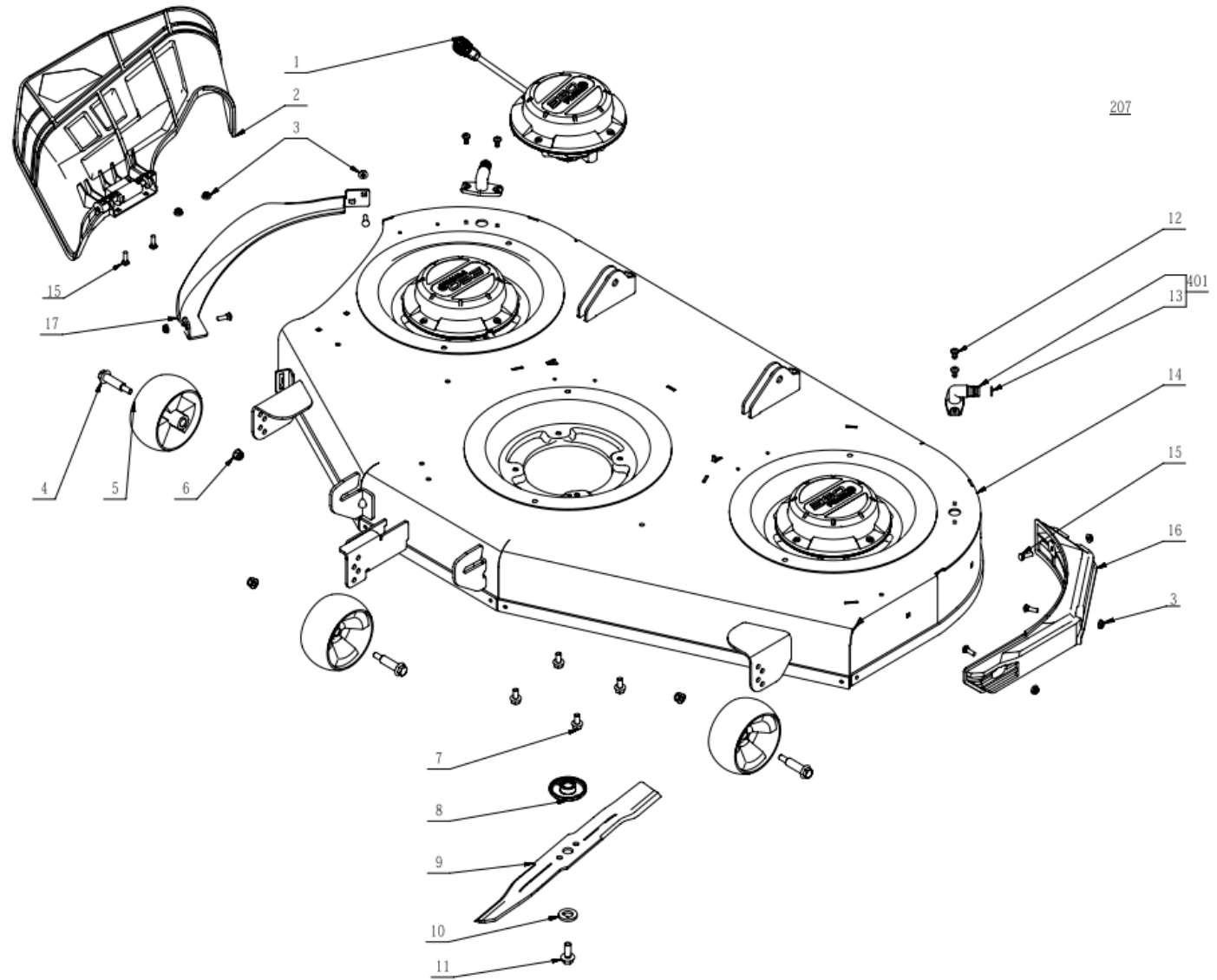


POS	QTY	PARTNUMBER	BESKRIVELSE	DESCRIPTION
1	2	450191	LAMP WIRE HARNESS	LAMP WIRE HARNESS
2	1	451439	CONTROL ELECTRIC ASSEMBLY	CONTROL ELECTRIC ASSEMBLY
3	1	450231	LED PCBA	LED PCBA
4	10	450243	TAPPING SCREW	TAPPING SCREW
5	1	450232	LED PCBA	LED PCBA
6	1	450177	TRANSPARENT CAP ASSEMBLY	TRANSPARENT CAP ASSEMBLY
7	1	450175	TRANSPARENT GUARD ASSEMBLY	TRANSPARENT GUARD ASSEMBLY
8	1	450176	TRANSPARENT GUARD ASSEMBLY	TRANSPARENT GUARD ASSEMBLY
9	1	449881	FRONT FRAME	FRONT FRAME
10	4	450251	TAPPING SCREW	TAPPING SCREW

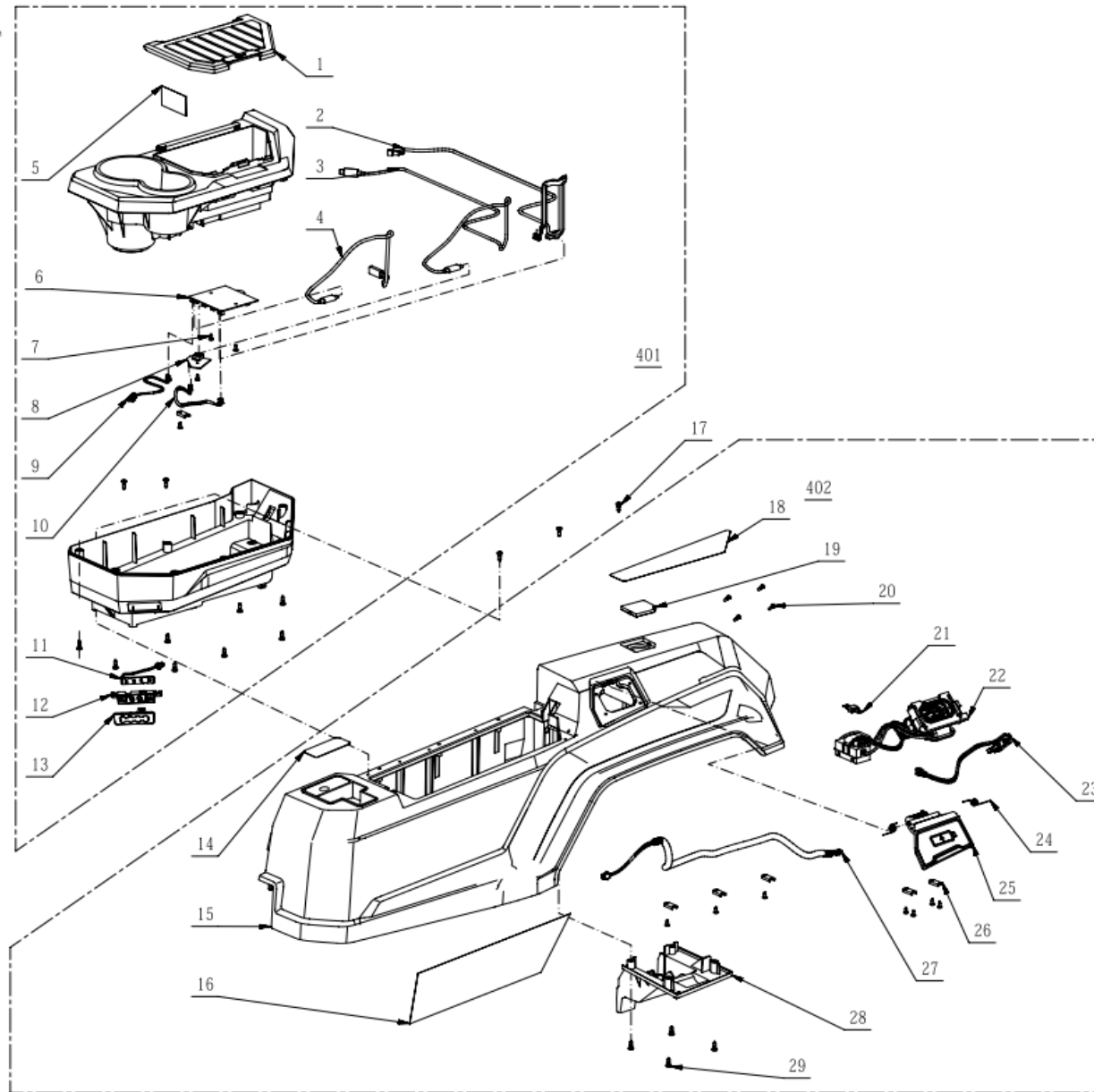


POS	QTY	PARTNUMBER	BESKRIVELSE	DESCRIPTION
1	1	449758	SWITCH BOX ASSEMBLY	SWITCH BOX ASSEMBLY
2	4	450290	LOCK NUT	LOCK NUT
3	1	450115	PEDAL	PEDAL
4	2	450310	FLANGE BOLT-LARGE SERIES	FLANGE BOLT-LARGE SERIES
5	1	449985	RUBBER SLEEVE	RUBBER SLEEVE
6	3	450269	SCREW WITH WASHER	SCREW WITH WASHER
7	1	449885	SEAL PACKING CASE	SEAL PACKING CASE
8	4	450271	HEXAGON SOCKET SCREW	HEXAGON SOCKET SCREW

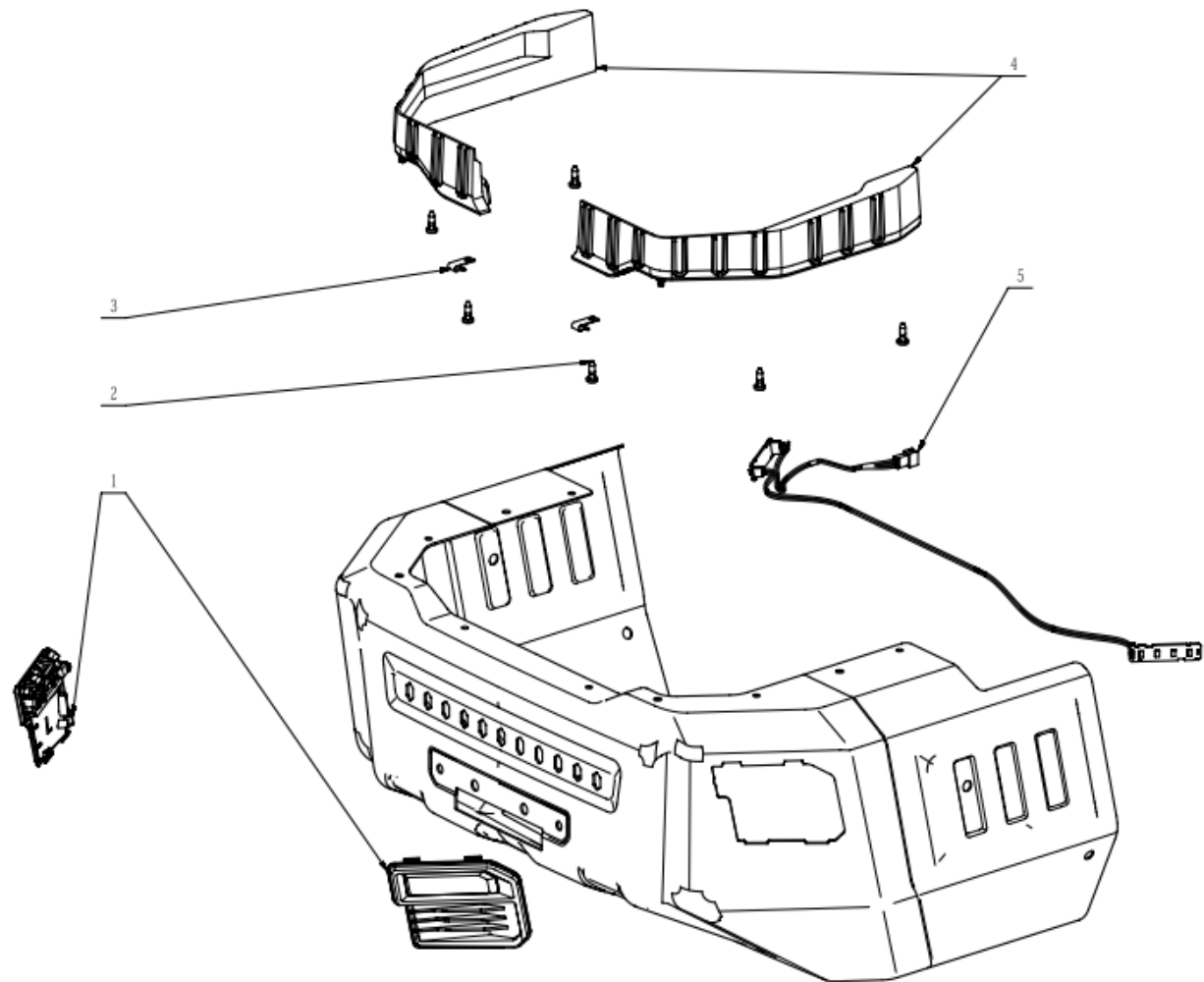




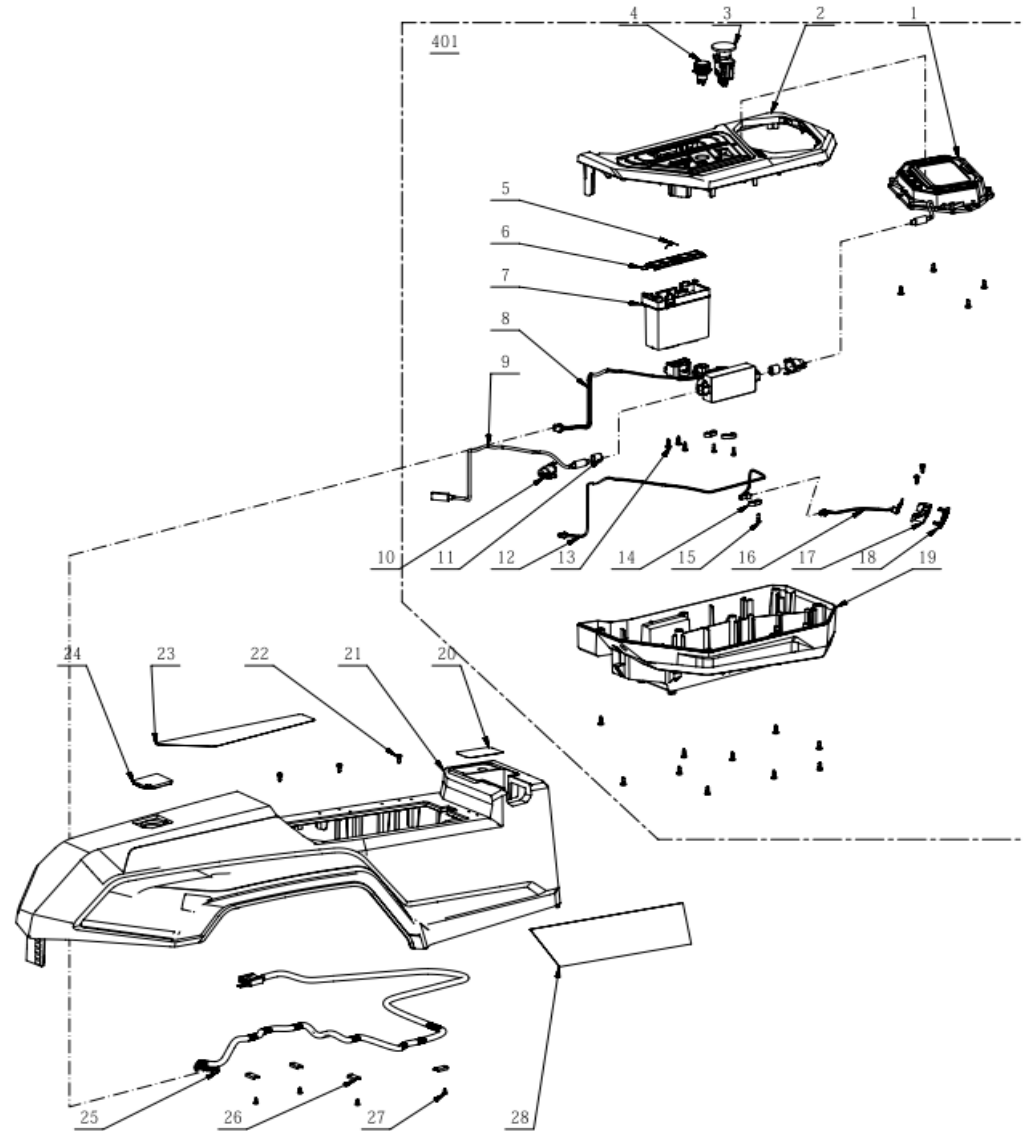
POS	QTY	PARTNUMBER	BESKRIVELSE	DESCRIPTION
1	3	451440	DC MOTOR	DC MOTOR
2	1	451441	CHUTE DEFLECTOR ASSEMBLY	CHUTE DEFLECTOR ASSEMBLY
3	7	450286	NUT	NUT
4	3	450308	HEXAGON FLANGE BOLT	HEXAGON FLANGE BOLT
5	3	449903	ROLLER WHEEL	ROLLER WHEEL
6	3	450290	LOCK NUT	LOCK NUT
7	12	450297	HEXAGON FLANGE BOLT	HEXAGON FLANGE BOLT
8	3	449991	FLANGE	FLANGE
9	3	451442	BLADE	BLADE
10	3	447571	WASHER	WASHER
11	3	447533	FLANGE BOLT	FLANGE BOLT
12	4	450253	SCREW	SCREW
13	1	450369	O RING	O RING
14	1	451443	DECK UNIT	DECK UNIT
15	7	450313	SEMICIRCULAR HEAD SQUARE NECK BOLT	SEMICIRCULAR HEAD SQUARE NECK BOLT
16	1	451444	BAFFLE STRIP	BAFFLE STRIP
17	1	451445	BAFFLE STRIP	BAFFLE STRIP
401	2	449661	OUTLET NOZZLE ASSEMBLY	OUTLET NOZZLE ASSEMBLY



POS	QTY	PARTNUMBER	BESKRIVELSE	DESCRIPTION
1	1	449955	STORAGE BOX OVERTURN	STORAGE BOX OVERTURN
2	1	450195	WIRING HARNESS	WIRING HARNESS
3	1	450206	TYPE-C MALE-MALE WIRE	TYPE-C MALE-MALE WIRE
4	1	450203	TYPE-C MALE-FEMALE WIRE	TYPE-C MALE-FEMALE WIRE
5	1	451446	NAMEPLATE	NAMEPLATE
6	1	450234	USB PCBA	USB PCBA
7	4	450243	TAPPING SCREW	TAPPING SCREW
8	1	450230	USB PCBA	USB PCBA
9	1	450193	WIRING HARNESS	WIRING HARNESS
10	1	450194	USB CABLE	USB CABLE
11	1	449832	LED ELECTRIC ASSEMBLY	LED ELECTRIC ASSEMBLY
12	1	449912	LED HOLDER	LED HOLDER
13	1	449904	LED COVER	LED COVER
14	1	451447	BRAND LABEL	BRAND LABEL
15	1	451448	LEFT COVER	LEFT COVER
16	1	451449	BRAND LABEL	BRAND LABEL
17	11	450271	HEXAGON SOCKET SCREW	HEXAGON SOCKET SCREW
18	1	451450	BRAND LABEL	BRAND LABEL
19	1	449907	LEFT COVER PLATE	LEFT COVER PLATE
20	4	450251	TAPPING SCREW	TAPPING SCREW
21	1	450238	FUSE	FUSE
22	1	450212	CHARGING HARNESS ASSEMBLY	CHARGING HARNESS ASSEMBLY
23	1	450227	SWITCH ASSEMBLY	SWITCH ASSEMBLY
24	2	450087	TORSION SPRING	TORSION SPRING
25	1	449898	CHARGING PORT COVER	CHARGING PORT COVER
26	1	447271	CORD ANCHORAGE	CORD ANCHORAGE
27	1	450192	WIRING HARNESS	WIRING HARNESS
28	1	449897	LOWER HOUSING	LOWER HOUSING
29	11	450271	HEXAGON SOCKET SCREW	HEXAGON SOCKET SCREW
401	1	451451	STORAGE BOX ASSEMBLY	STORAGE BOX ASSEMBLY
402	1	451452	LEFT COVER SET	LEFT COVER SET

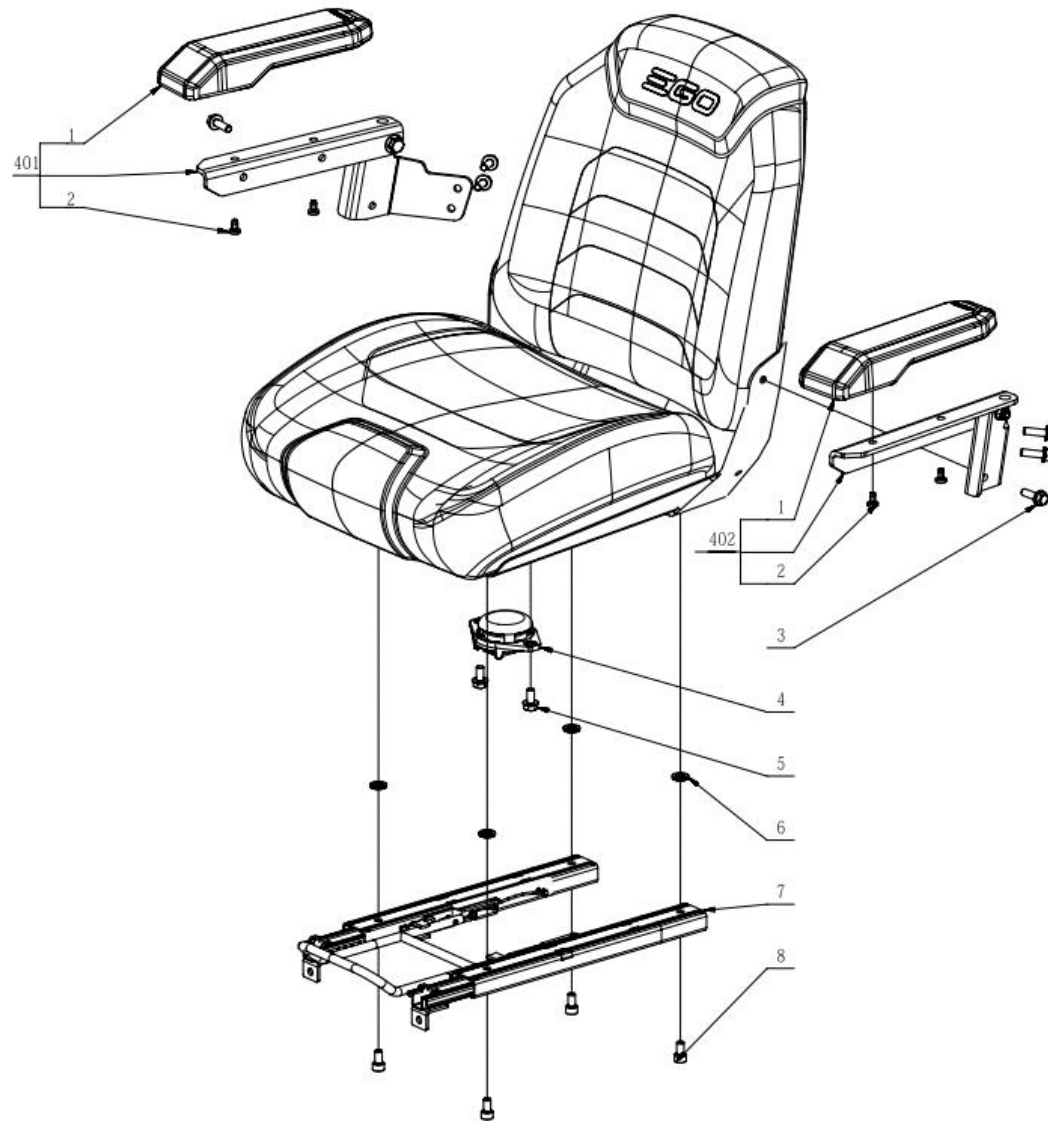


<b>POS</b>	<b>QTY</b>	<b>PARTNUMBER</b>	<b>BESKRIVELSE</b>	<b>DESCRIPTION</b>
1	1	449776	L R INDICATOR COVER SET	L R INDICATOR COVER SET
2	6	450271	HEXAGON SOCKET SCREW	HEXAGON SOCKET SCREW
3	2	450136	WIRE HOLDER	WIRE HOLDER
4	1	450182	GUARD ASSEMBLY	GUARD ASSEMBLY
5	1	449828	LED ELECTRIC ASSEMBLY	LED ELECTRIC ASSEMBLY



POS	QTY	PARTNUMBER	BESKRIVELSE	DESCRIPTION
1	1	449752	LCD ASSEMBLY	LCD ASSEMBLY
2	1	449895	CONTROL PANEL	CONTROL PANEL
3	1	450225	PUSH SWITCH	PUSH SWITCH
4	1	450226	PUSH SWITCH	PUSH SWITCH
5	1	450088	TORSION SPRING	TORSION SPRING
6	1	449951	PHONE BOX COVER	PHONE BOX COVER
7	1	449906	PHONE BOX	PHONE BOX
8	1	449830	SWITCH ELECTRIC ASSEMBLY	SWITCH ELECTRIC ASSEMBLY
9	1	450204	TYPE-C MALE-FEMALE WIRE	TYPE-C MALE-FEMALE WIRE
10	2	449902	WIRE HOLDER	WIRE HOLDER
11	2	449986	RUBBER SLEEVE	RUBBER SLEEVE
12	1	450197	WIRING HARNESS	WIRING HARNESS
13	19	450271	HEXAGON SOCKET SCREW	HEXAGON SOCKET SCREW
14	3	446852	CORD ANCHORAGE	CORD ANCHORAGE
15	3	450251	TAPPING SCREW	TAPPING SCREW
16	1	449832	LED ELECTRIC ASSEMBLY	LED ELECTRIC ASSEMBLY
17	1	449905	LED HOLDER	LED HOLDER
18	1	449904	LED COVER	LED COVER
19	1	449896	CONTROL BOX BASE	CONTROL BOX BASE
20	1	451453	NAMEPLATE	NAMEPLATE
21	1	451454	RIGHT COVER	RIGHT COVER
22	3	450271	HEXAGON SOCKET SCREW	HEXAGON SOCKET SCREW
23	1	451455	BRAND LABEL	BRAND LABEL
24	1	449908	RIGHT COVER PLATE	RIGHT COVER PLATE
25	1	450196	WIRING HARNESS	WIRING HARNESS
26	4	447271	CORD ANCHORAGE	CORD ANCHORAGE
27	4	450243	TAPPING SCREW	TAPPING SCREW
28	1	451456	BRAND LABEL	BRAND LABEL
401	1	450377	CONTROL BOX ASSEMBLY	CONTROL BOX ASSEMBLY





POS	QTY	PARTNUMBER	BESKRIVELSE	DESCRIPTION
1	1	449952	ARMREST	ARMREST
2	2	450253	SCREW	SCREW
3	6	450310	FLANGE BOLT-LARGE SERIES	FLANGE BOLT-LARGE SERIES
4	1	450220	SWITCH ASSEMBLY	SWITCH ASSEMBLY
5	2	450297	HEXAGON FLANGE BOLT	HEXAGON FLANGE BOLT
6	4	449971	WASHER	WASHER
7	1	449757	GUIDE RAIL ASSEMBLY	GUIDE RAIL ASSEMBLY
8	4	450259	HEXAGON SOCKET SCREW	HEXAGON SOCKET SCREW
401	1	449789	RIGHT ARMREST ASSEMBLY	RIGHT ARMREST ASSEMBLY
402	1	449790	LEFT ARMREST ASSEMBLY	LEFT ARMREST ASSEMBLY