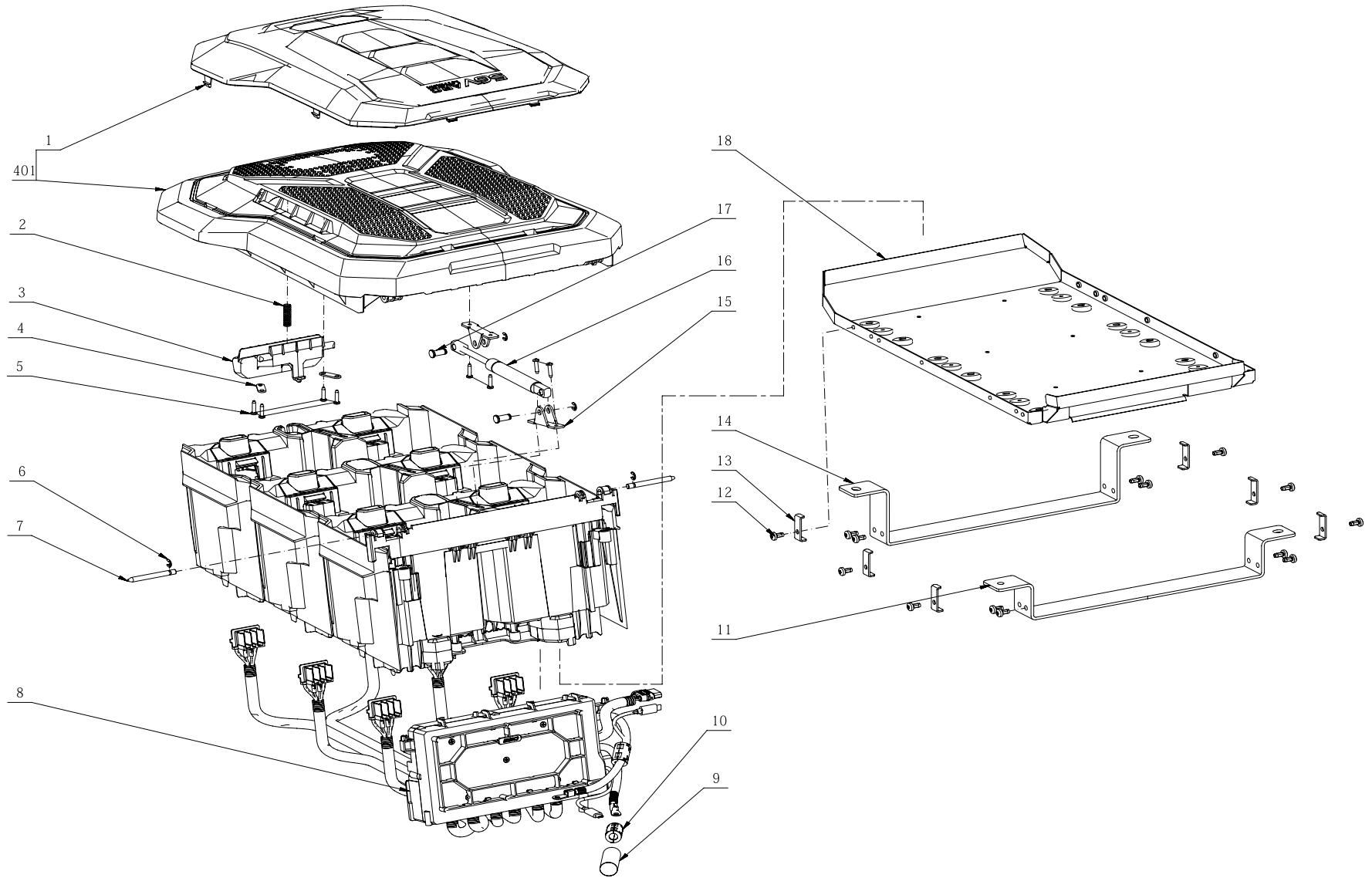


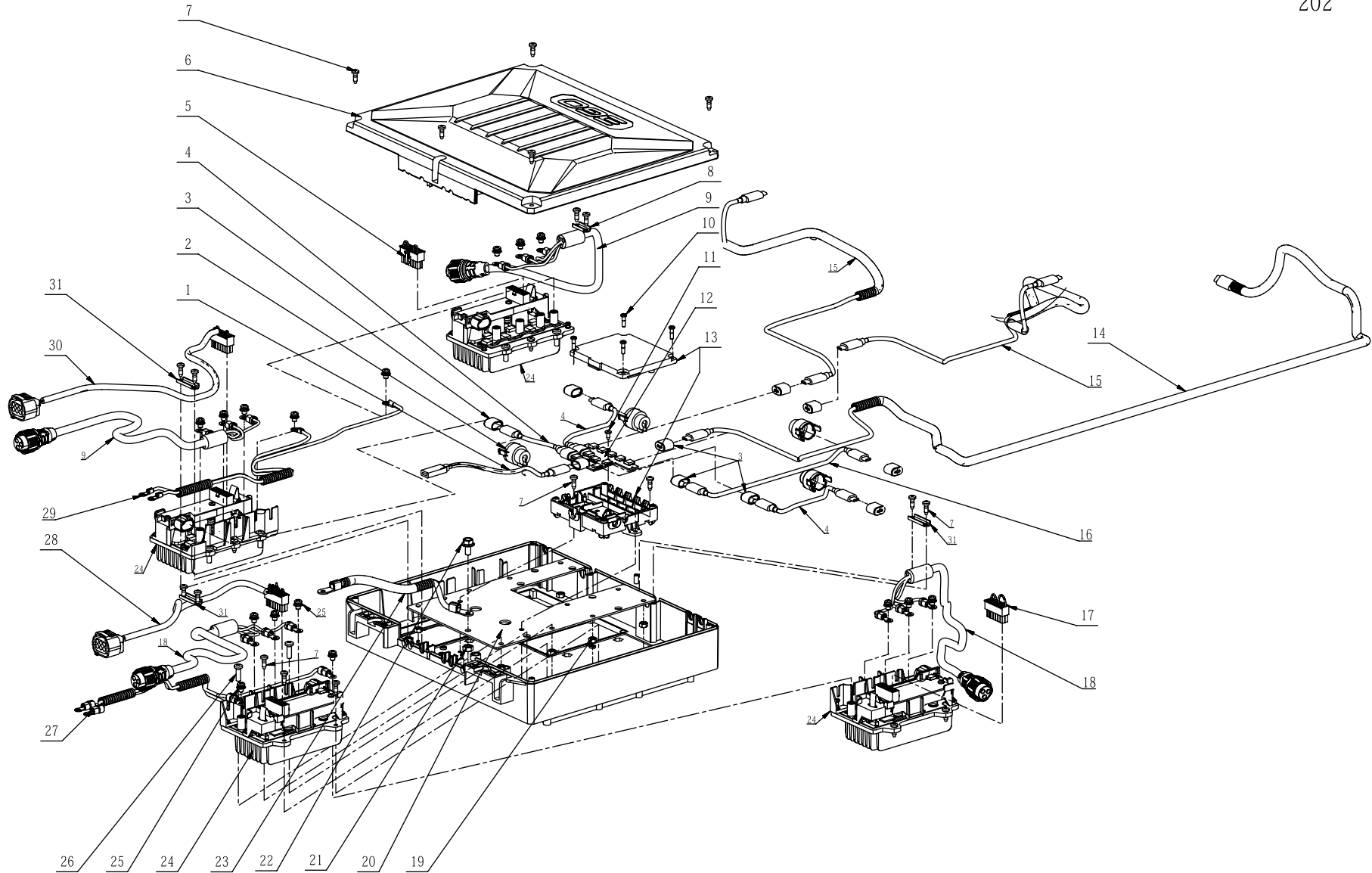
POS	QTY	PARTNUMBER	BESKRIVELSE	DESCRIPTION
1		450315	HEXAGON FLANGE HEAD THREAD FORMING SCREW	HEXAGON FLANGE HEAD THREAD FORMING SCREW
3		449702	ROCKER ASSEMBLY	ROCKER ASSEMBLY
4		450287	NUT	NUT
5		449664	LIFT SHAFT ASSEMBLY	LIFT SHAFT ASSEMBLY
6		450290	LOCK NUT	LOCK NUT
7		450310	FLANGE BOLT-LARGE SERIES	FLANGE BOLT-LARGE SERIES
8		450119	HANDLE LEVER	HANDLE LEVER
9		449708	CONNECTING ROD ASSEMBLY	CONNECTING ROD ASSEMBLY
10		449970	SUPPORT BASE	SUPPORT BASE
11		450116	PRESSURE PLATE	PRESSURE PLATE
13		449704	RIGHT LIFT ARM ASSEMBLY	RIGHT LIFT ARM ASSEMBLY
15		450334	PLAIN WASHER	PLAIN WASHER
16		450285	NUT	NUT
17		449705	LEFT LIFT ARM ASSEMBLY	LEFT LIFT ARM ASSEMBLY
18		449914	WIRE HOLDER	WIRE HOLDER
19		449974	CONNECTING ROD SPINDLE	CONNECTING ROD SPINDLE
20		450284	HEXAGON NUT	HEXAGON NUT
21		450358	SPLIT PIN	SPLIT PIN
22		450117	HANGER ROD	HANGER ROD
23		450131	LEFT SUPPORTING PLATE	LEFT SUPPORTING PLATE
24		449717	SUPPORT ASSEMBLY	SUPPORT ASSEMBLY
25		450317	FLANGE BOLT	FLANGE BOLT
26		450271	HEXAGON SOCKET SCREW	HEXAGON SOCKET SCREW
27		449901	FUSE PCB BOX	FUSE PCB BOX
28		450253	SCREW	SCREW
29		450318	HEX SERRATED FLANGE SCREW	HEX SERRATED FLANGE SCREW
30		447503	SCREW WITH WASHER	SCREW WITH WASHER
31		450239	FUSE	FUSE
32		449754	BASE ASSEMBLY	BASE ASSEMBLY
33		450311	FLANGE BOLT-LARGE SERIES	FLANGE BOLT-LARGE SERIES
34		449902	WIRE HOLDER	WIRE HOLDER
35		449986	RUBBER SLEEVE	RUBBER SLEEVE
36		450132	RIGHT SUPPORTING PLATE	RIGHT SUPPORTING PLATE
37		449933	BASE FOOT	BASE FOOT
38		449939	HOOK	HOOK
39		449728	LEFT HANDLE SET	LEFT HANDLE SET
40		449733	RIGHT HANDLE SET	RIGHT HANDLE SET
41		450297	HEXAGON FLANGE BOLT	HEXAGON FLANGE BOLT
42		450118	DEPTH STOP PLATE	DEPTH STOP PLATE
43		450314	SMALL ROUND HEAD LOW SQUARE NECK BOLT	SMALL ROUND HEAD LOW SQUARE NECK BOLT
44		450123	BAFFLE	BAFFLE
45		449756	FOOTREST PEDAL ASSEMBLY	FOOTREST PEDAL ASSEMBLY
46		449887	UPPER DUST COVER	UPPER DUST COVER
47		450333	LARGER WASHER	LARGER WASHER
48		450374	DEEP GROOVE BALL BEARING	DEEP GROOVE BALL BEARING
49		450372	SEAL RING	SEAL RING

POS	QTY	PARTNUMBER	BESKRIVELSE	DESCRIPTION
50		449701	FRONT WHEEL BRACKET ASSEMBLY	FRONT WHEEL BRACKET ASSEMBLY
51		450312	HEXAGON HEAD BOLT	HEXAGON HEAD BOLT
52		449888	BEARING COVER	BEARING COVER
53		449718	FRONT WHEEL	FRONT WHEEL
54		450120	FIXING BOARD	FIXING BOARD
55		450086	COMPRESSION SPRING	COMPRESSION SPRING
56		449711	DAMPER	DAMPER
57		450306	HEXAGON HEAD BOLT	HEXAGON HEAD BOLT
58		449706	CONNECTING ROD ASSEMBLY	CONNECTING ROD ASSEMBLY
59		450356	PIN SHAFT	PIN SHAFT
60		450359	COTTER PIN	COTTER PIN
61		449707	REAR CONNECTING ROD SET	REAR CONNECTING ROD SET
62		450081	TENSION SPRING	TENSION SPRING
63		450321	PLAIN WASHER	PLAIN WASHER
64		449719	REAR WHEEL SET	REAR WHEEL SET
65		450291	CONICAL NUT	CONICAL NUT
66		449925	REAR HUBCAP	REAR HUBCAP
67		450309	FLANGE BOLT-LARGE SERIES	FLANGE BOLT-LARGE SERIES
68		450142	HITCH	HITCH
69		450259	HEXAGON SOCKET SCREW	HEXAGON SOCKET SCREW
70		450275	TAPPING SCREW	TAPPING SCREW
71		449723	SHOCK ABSORBER	SHOCK ABSORBER
72		449889	REAR COVER	REAR COVER
73		449886	LID CASE	LID CASE
74		450316	HEXAGON FLANGE HEAD THREAD FORMING SCREW	HEXAGON FLANGE HEAD THREAD FORMING SCREW
75		450133	BASE	BASE
76		450134	BEAM BOTTOM SUPPORT	BEAM BOTTOM SUPPORT
77		450286	NUT	NUT
78		449956	ADJUSTING HANDLE	ADJUSTING HANDLE
79		449920	HANDLE COVER	HANDLE COVER
80		450240	TAPPING SCREW	TAPPING SCREW
81		450383	GREASE	GREASE
82		450363	COMBINATION WRENCH	COMBINATION WRENCH
83		450364	HEXAGON SOCKET SCREW KEY	HEXAGON SOCKET SCREW KEY
84		449660	QUICK CONNECT COUPLING	QUICK CONNECT COUPLING
85		449778	KEY ASSEMBLY	KEY ASSEMBLY
86		450373	SEAL RING	SEAL RING
87		450339	PLAIN WASHER	PLAIN WASHER
88		450168	BRACKET	BRACKET
89		450390	MULCH PLUG ASSEMBLY	MULCH PLUG ASSEMBLY
201		449843	BMS ELECTRIC ASSEMBLY	BMS ELECTRIC ASSEMBLY
202		449842	CONTROL ELECTRIC ASSEMBLY	CONTROL ELECTRIC ASSEMBLY
203		449729	DRIVE TRAIN ASSEMBLY	DRIVE TRAIN ASSEMBLY
204		449730	CONTROL ASSEMBLY	CONTROL ASSEMBLY
205		449700	FRONT FRAME ASSEMBLY	FRONT FRAME ASSEMBLY
206		449725	PARKING ASSEMBLY	PARKING ASSEMBLY
207		449746	DECK UNIT	DECK UNIT

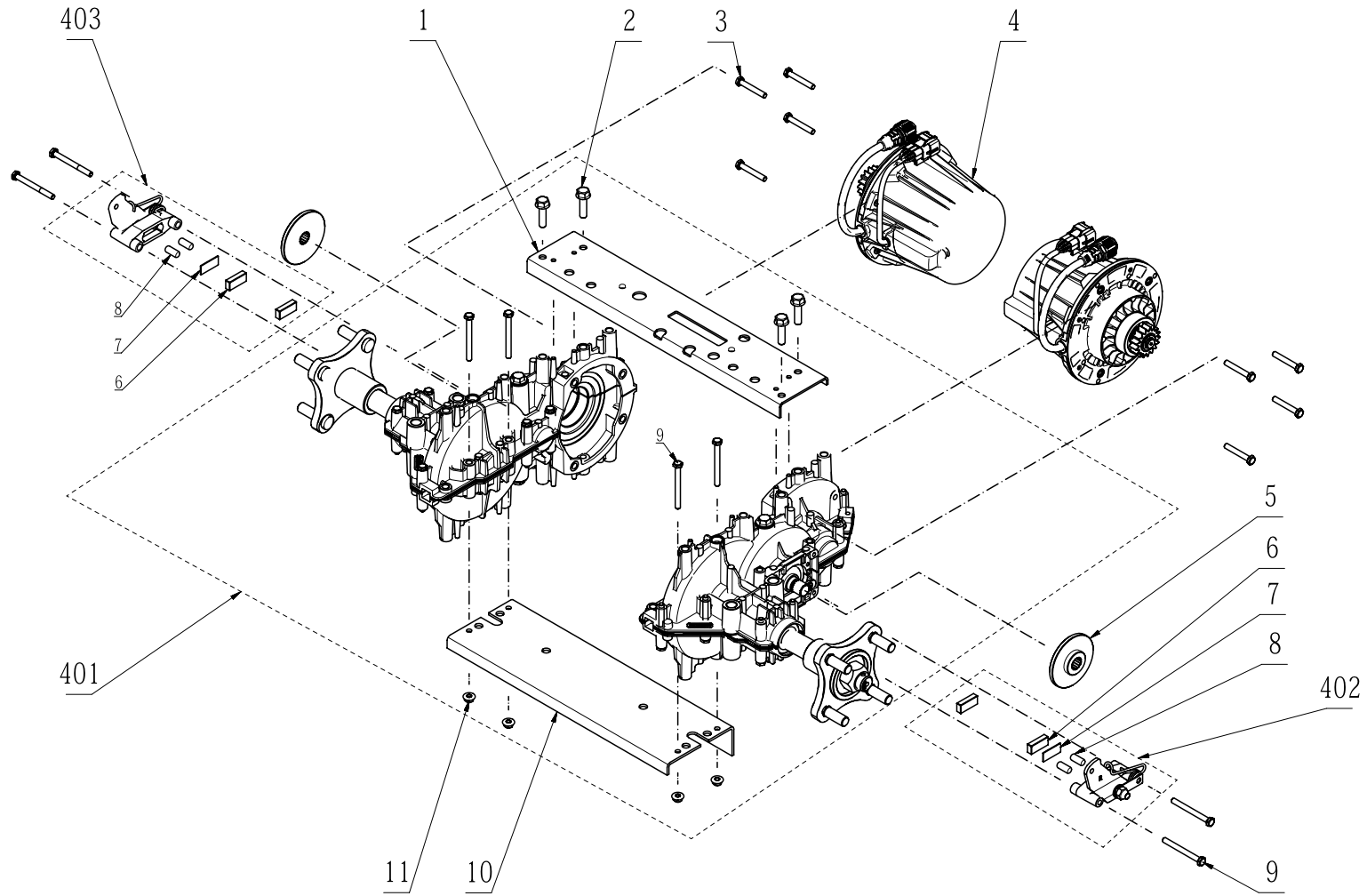
POS	QTY	PARTNUMBER	BESKRIVELSE	DESCRIPTION
208		449747	LEFT COVER ASSEMBLY	LEFT COVER ASSEMBLY
209		449732	REAR GUARD ASSEMBLY	REAR GUARD ASSEMBLY
210		449751	RIGHT COVER ASSEMBLY	RIGHT COVER ASSEMBLY
211		449731	DAMPING SEAT ASSEMBLY	DAMPING SEAT ASSEMBLY
212		449648	ACCESSORY BOX	ACCESSORY BOX
214		449666	LIFT SHAFT ASSEMBLY	LIFT SHAFT ASSEMBLY



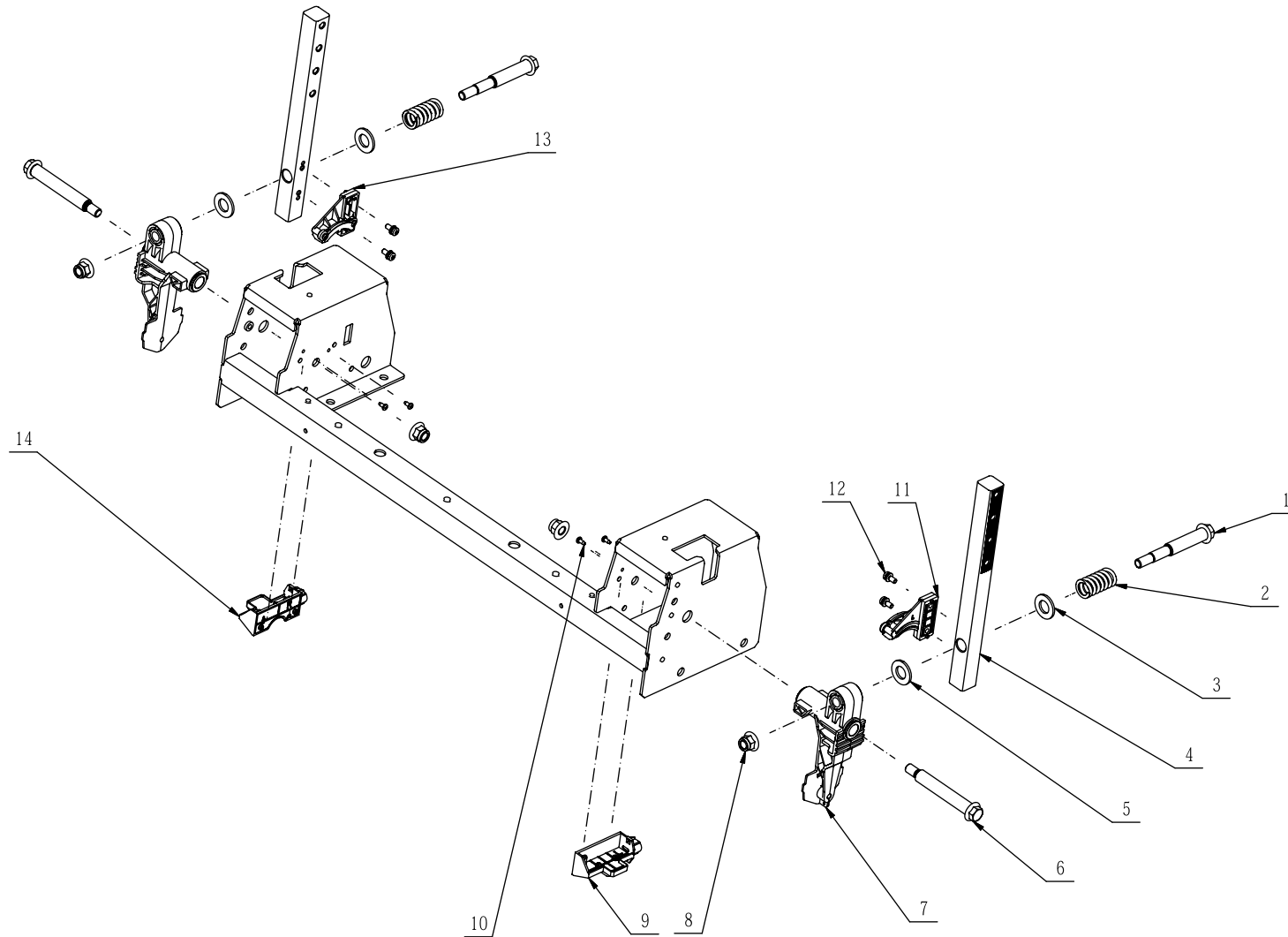
POS	QTY	PARTNUMBER	BESKRIVELSE	DESCRIPTION
1		449883	REAR TRANSPARENT GUARD	REAR TRANSPARENT GUARD
2		450077	COMPRESSION SPRING	COMPRESSION SPRING
3		449890	LATCH	LATCH
4		450102	CLAMP	CLAMP
5		447469	TAPPING SCREW	TAPPING SCREW
6		450345	E RING	E RING
7		449975	SPINDLE	SPINDLE
8		450378	BMS ELECTRIC ASSEMBLY	BMS ELECTRIC ASSEMBLY
9		450235	SHRINKABLE TUBE	SHRINKABLE TUBE
10		447259	MAGNET RING	MAGNET RING
11		450122	BOTTOM SUPPORT	BOTTOM SUPPORT
12		450253	SCREW	SCREW
13		450129	HOOK	HOOK
14		450121	BOTTOM SUPPORT	BOTTOM SUPPORT
15		450128	SUPPORT BASE	SUPPORT BASE
16		450084	GAS SPRING	GAS SPRING
17		450357	PIN SHAFT	PIN SHAFT
18		450384	BIG BASE PLATE	BIG BASE PLATE
401		449792	BATTERY BOX COVER ASSEMBLY	BATTERY BOX COVER ASSEMBLY



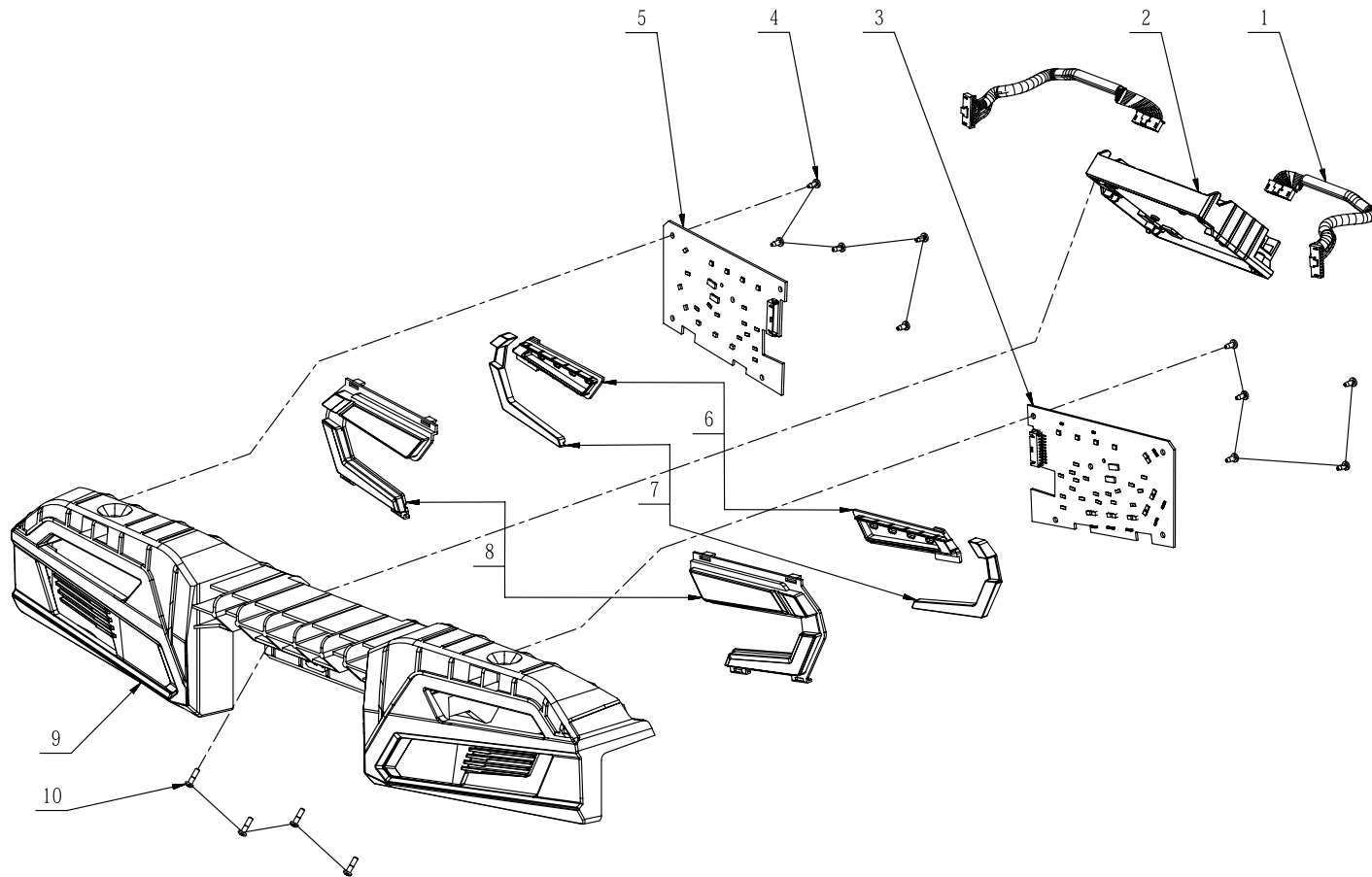
POS	QTY	PARTNUMBER	BESKRIVELSE	DESCRIPTION
1		450203	TYPE-C MALE-FEMALE WIRE	TYPE-C MALE-FEMALE WIRE
2		449902	WIRE HOLDER	WIRE HOLDER
3		449986	RUBBER SLEEVE	RUBBER SLEEVE
4		450208	TYPE-C MALE-MALE WIRE	TYPE-C MALE-MALE WIRE
5		450198	MOTOR WIRING HARNESS	MOTOR WIRING HARNESS
6		449899	CLOSE COVER	CLOSE COVER
7		450271	HEXAGON SOCKET SCREW	HEXAGON SOCKET SCREW
8		447271	CORD ANCHORAGE	CORD ANCHORAGE
9		450217	MOTOR WIRE HARNESS	MOTOR WIRE HARNESS
10		450251	TAPPING SCREW	TAPPING SCREW
11		450243	TAPPING SCREW	TAPPING SCREW
12		450233	CONNECTING PCBA	CONNECTING PCBA
13		450181	PCB BOX	PCB BOX
14		450213	TYPE-C MALE-MALE WIRE	TYPE-C MALE-MALE WIRE
15		450214	TYPE-C MALE-MALE WIRE	TYPE-C MALE-MALE WIRE
16		450207	TYPE-C MALE-MALE WIRE	TYPE-C MALE-MALE WIRE
17		450199	MOTOR WIRING HARNESS	MOTOR WIRING HARNESS
18		450218	MOTOR WIRE HARNESS	MOTOR WIRE HARNESS
19		450282	PREVAILING TORQUE HEXAGON NUT	PREVAILING TORQUE HEXAGON NUT
20		450135	BASE PLATE	BASE PLATE
21		447514	PREVAILING TORQUE HEXAGON NUT	PREVAILING TORQUE HEXAGON NUT
22		450318	HEX SERRATED FLANGE SCREW	HEX SERRATED FLANGE SCREW
23		450190	HOST POWER WIRE HARNESS	HOST POWER WIRE HARNESS
24		449841	CONTROL ELECTRIC ASSEMBLY	CONTROL ELECTRIC ASSEMBLY
25		447503	SCREW WITH WASHER	SCREW WITH WASHER
26		450264	SCREW	SCREW
27		450209	HOST POWER WIRE HARNESS	HOST POWER WIRE HARNESS
28		450200	WIRE HARNESS	WIRE HARNESS
29		450210	HOST POWER WIRE HARNESS	HOST POWER WIRE HARNESS
30		450201	WIRE HARNESS	WIRE HARNESS
31		450137	CORD ANCHORAGE	CORD ANCHORAGE



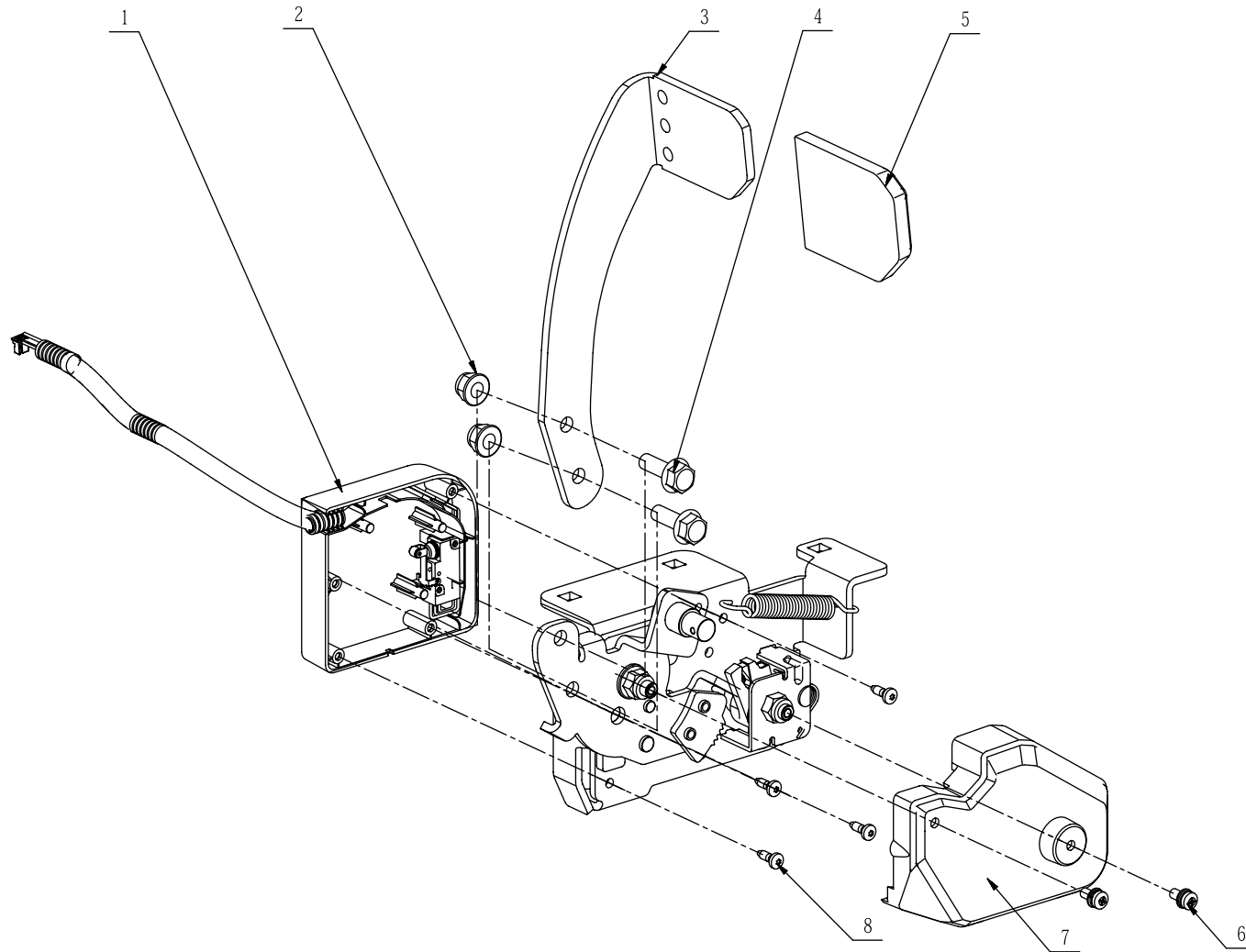
POS	QTY	PARTNUMBER	BESKRIVELSE	DESCRIPTION
1		450139	CONNECTING PLATE	CONNECTING PLATE
2		450316	HEXAGON FLANGE HEAD THREAD FORMING SCREW	HEXAGON FLANGE HEAD THREAD FORMING SCREW
3		450300	HEXAGON HEAD BOLT	HEXAGON HEAD BOLT
4		449649	DC MOTOR	DC MOTOR
5		449977	BRAKE DISC	BRAKE DISC
6		449969	FRICTION BLOCK	FRICTION BLOCK
7		450114	SCALEBOARD	SCALEBOARD
8		450355	PARALLEL PIN	PARALLEL PIN
9		450294	HEXAGON HEAD BOLT	HEXAGON HEAD BOLT
10		450138	CONNECTING PLATE	CONNECTING PLATE
11		450286	NUT	NUT
401		449753	GEAR CASE ASSEMBLY	GEAR CASE ASSEMBLY
402		449767	RIGHT BRACKET ASSEMBLY	RIGHT BRACKET ASSEMBLY
403		449766	LEFT BRACKET ASSEMBLY	LEFT BRACKET ASSEMBLY



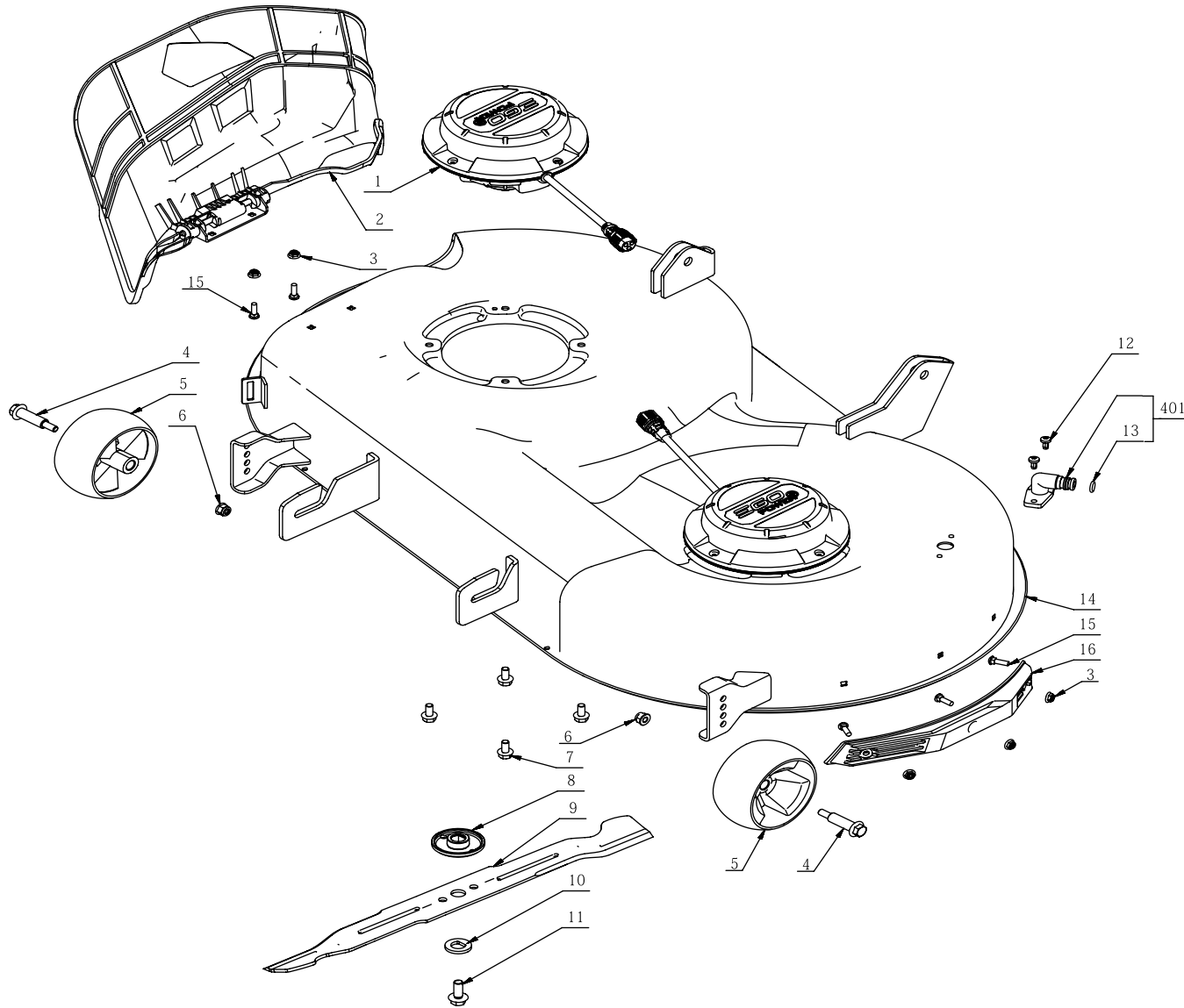
POS	QTY	PARTNUMBER	BESKRIVELSE	DESCRIPTION
1		450307	HEXAGON FLANGE HEAD SCREW WITH SHOULDER	HEXAGON FLANGE HEAD SCREW WITH SHOULDER
2		450085	COMPRESSION SPRING	COMPRESSION SPRING
3		450334	PLAIN WASHER	PLAIN WASHER
4		450130	JOYSTICK	JOYSTICK
5		450335	PLAIN WASHER	PLAIN WASHER
6		450305	SHOULDER BOLT	SHOULDER BOLT
7		449781	ROTATING LEVER	ROTATING LEVER
8		450287	NUT	NUT
9		449727	LEFT HALL PCB BOX	LEFT HALL PCB BOX
10		450243	TAPPING SCREW	TAPPING SCREW
11		449783	MAGNETIC HOLDER ASSEMBLY	MAGNETIC HOLDER ASSEMBLY
12		450269	SCREW WITH WASHER	SCREW WITH WASHER
13		449782	MAGNETIC HOLDER ASSEMBLY	MAGNETIC HOLDER ASSEMBLY
14		449726	RIGHT HALL PCB BOX	RIGHT HALL PCB BOX



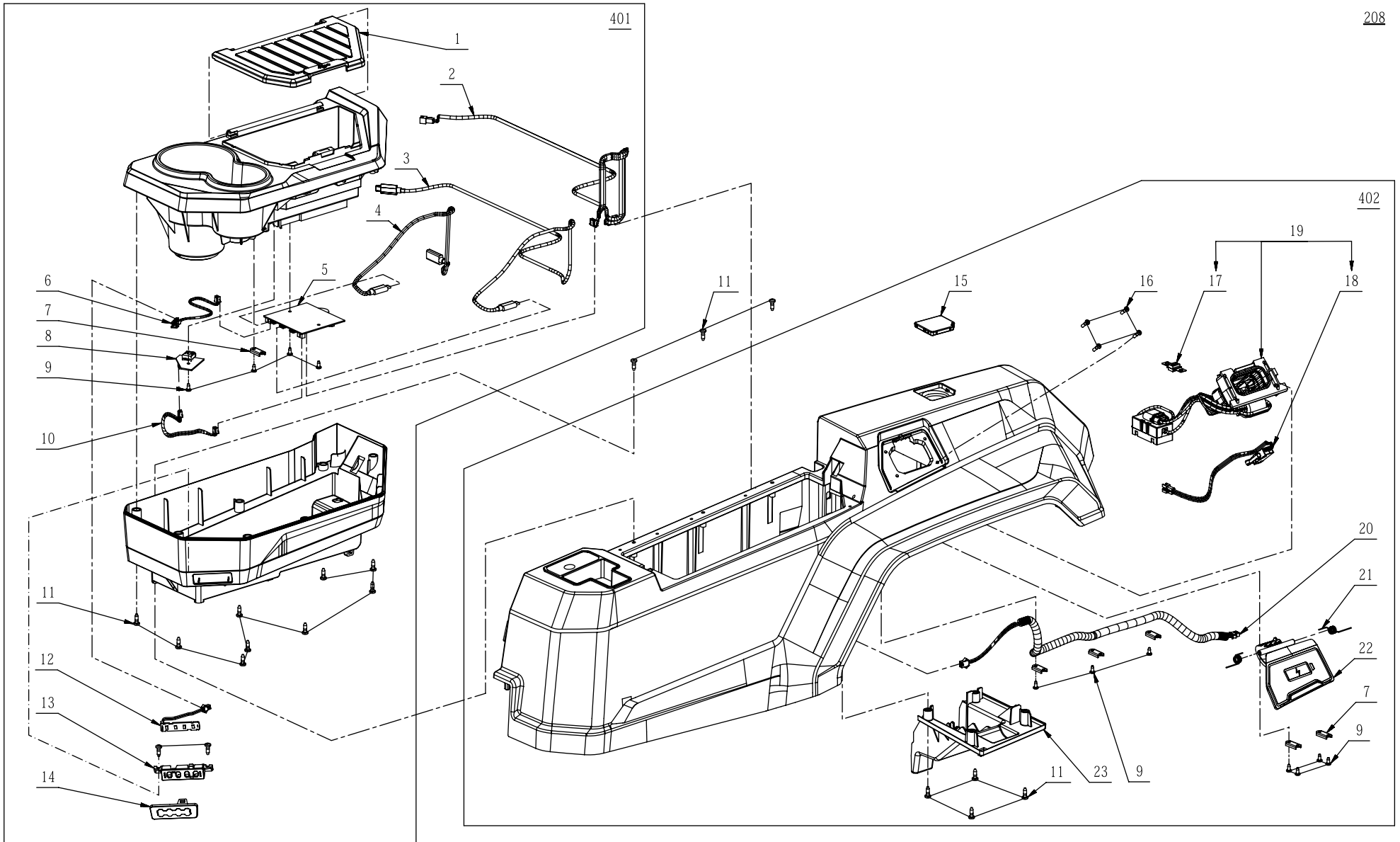
POS	QTY	PARTNUMBER	BESKRIVELSE	DESCRIPTION
1		450191	LAMP WIRE HARNESS	LAMP WIRE HARNESS
2		449742	CONTROL BOX ASSEMBLY	CONTROL BOX ASSEMBLY
3		450231	LED PCBA	LED PCBA
4		450243	TAPPING SCREW	TAPPING SCREW
5		450232	LED PCBA	LED PCBA
6		450177	TRANSPARENT CAP ASSEMBLY	TRANSPARENT CAP ASSEMBLY
7		450175	TRANSPARENT GUARD ASSEMBLY	TRANSPARENT GUARD ASSEMBLY
8		450176	TRANSPARENT GUARD ASSEMBLY	TRANSPARENT GUARD ASSEMBLY
9		449881	FRONT FRAME	FRONT FRAME
10		450251	TAPPING SCREW	TAPPING SCREW



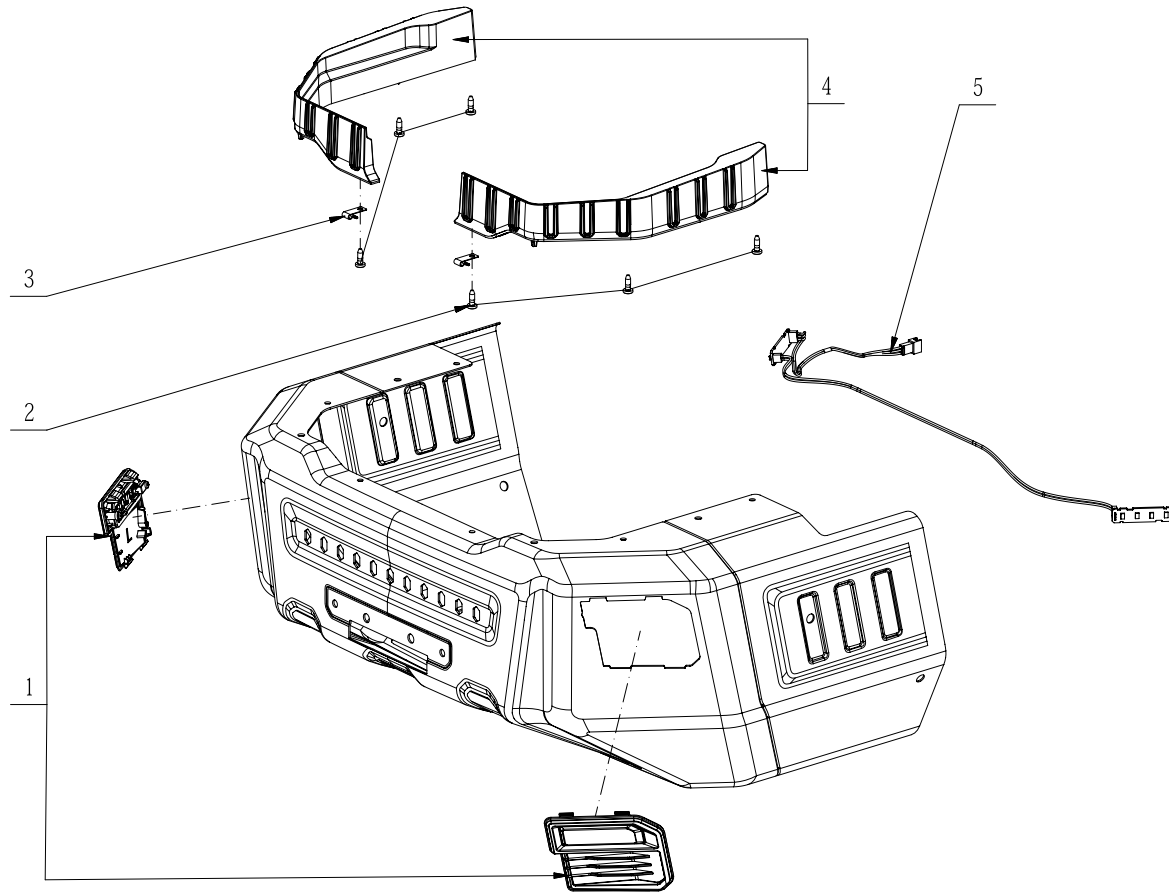
POS	QTY	PARTNUMBER	BESKRIVELSE	DESCRIPTION
1		449758	SWITCH BOX ASSEMBLY	SWITCH BOX ASSEMBLY
2		450290	LOCK NUT	LOCK NUT
3		450115	PEDAL	PEDAL
4		450310	FLANGE BOLT-LARGE SERIES	FLANGE BOLT-LARGE SERIES
5		449985	RUBBER SLEEVE	RUBBER SLEEVE
6		450269	SCREW WITH WASHER	SCREW WITH WASHER
7		449885	SEAL PACKING CASE	SEAL PACKING CASE
8		450271	HEXAGON SOCKET SCREW	HEXAGON SOCKET SCREW



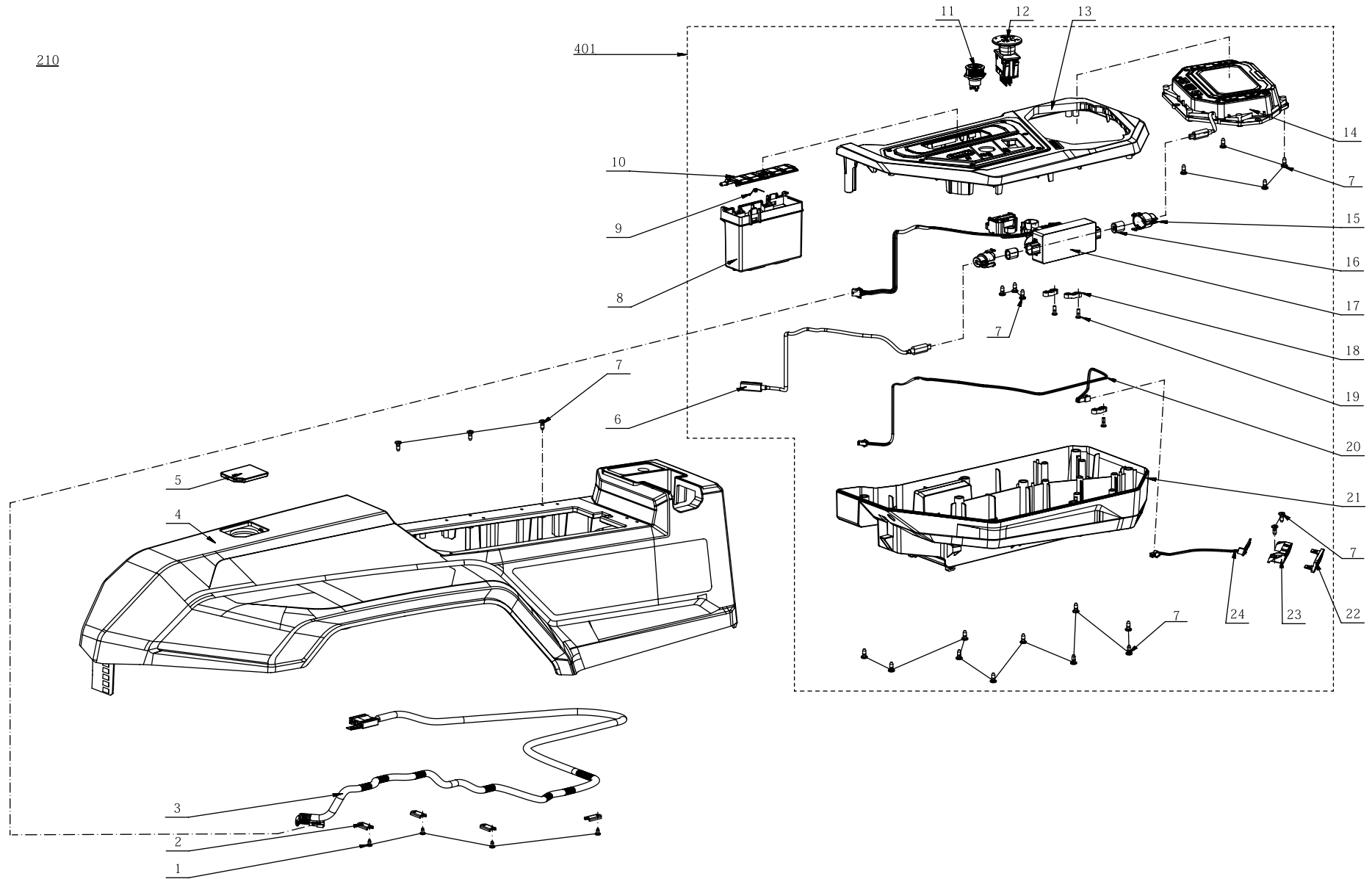
POS	QTY	PARTNUMBER	BESKRIVELSE	DESCRIPTION
1		449650	DC MOTOR	DC MOTOR
2		449659	CHUTE DEFLECTOR ASSEMBLY	CHUTE DEFLECTOR ASSEMBLY
3		450286	NUT	NUT
4		450308	HEXAGON FLANGE BOLT	HEXAGON FLANGE BOLT
5		449903	ROLLER WHEEL	ROLLER WHEEL
6		450290	LOCK NUT	LOCK NUT
7		450297	HEXAGON FLANGE BOLT	HEXAGON FLANGE BOLT
8		449991	FLANGE	FLANGE
9		450391	STANDARD BLADE (FITTED AS STANDARD)	STANDARD BLADE (FITTED AS STANDARD)
10		447571	WASHER	WASHER
11		447533	FLANGE BOLT	FLANGE BOLT
12		450253	SCREW	SCREW
13		450369	O RING	O RING
14		449703	DECK UNIT	DECK UNIT
15		450313	SEMICIRCULAR HEAD SQUARE NECK BOLT	SEMICIRCULAR HEAD SQUARE NECK BOLT
16		449900	BAFFLE STRIP	BAFFLE STRIP
401		449661	OUTLET NOZZLE ASSEMBLY	OUTLET NOZZLE ASSEMBLY



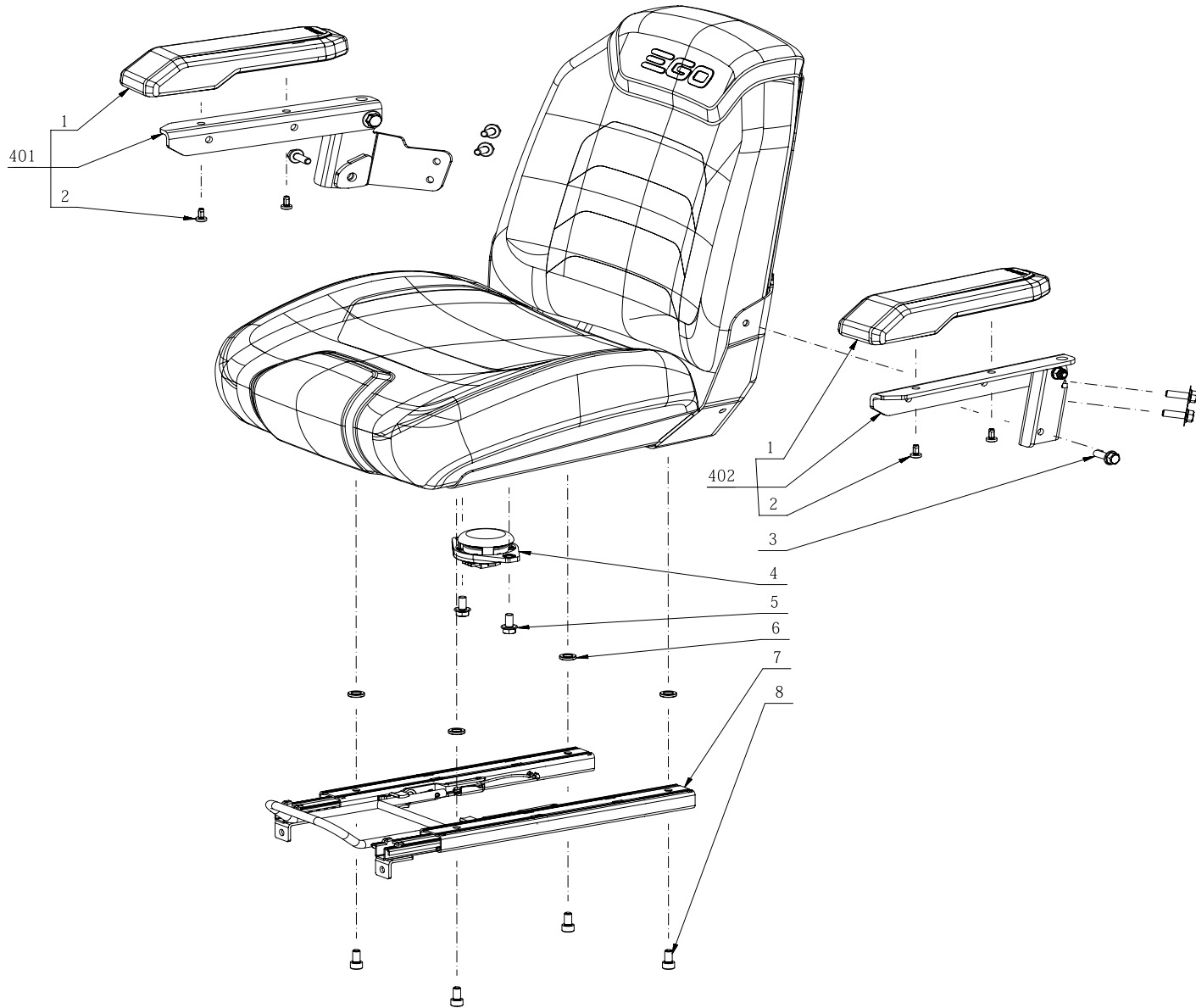
POS	QTY	PARTNUMBER	BESKRIVELSE	DESCRIPTION
1		449955	STORAGE BOX OVERTURN	STORAGE BOX OVERTURN
2		450195	WIRING HARNESS	WIRING HARNESS
3		450206	TYPE-C MALE-MALE WIRE	TYPE-C MALE-MALE WIRE
4		450205	TYPE-C MALE-FEMALE WIRE	TYPE-C MALE-FEMALE WIRE
5		450234	USB PCBA	USB PCBA
6		450193	WIRING HARNESS	WIRING HARNESS
7		447271	CORD ANCHORAGE	CORD ANCHORAGE
8		450230	USB PCBA	USB PCBA
9		450243	TAPPING SCREW	TAPPING SCREW
10		450194	USB CABLE	USB CABLE
11		450271	HEXAGON SOCKET SCREW	HEXAGON SOCKET SCREW
12		449832	LED ELECTRIC ASSEMBLY	LED ELECTRIC ASSEMBLY
13		449912	LED HOLDER	LED HOLDER
14		449904	LED COVER	LED COVER
15		449907	LEFT COVER PLATE	LEFT COVER PLATE
16		450251	TAPPING SCREW	TAPPING SCREW
17		450238	FUSE	FUSE
18		450227	SWITCH ASSEMBLY	SWITCH ASSEMBLY
19		450212	CHARGING HARNESS ASSEMBLY	CHARGING HARNESS ASSEMBLY
20		450192	WIRING HARNESS	WIRING HARNESS
21		450087	TORSION SPRING	TORSION SPRING
22		449898	CHARGING PORT COVER	CHARGING PORT COVER
23		449897	LOWER HOUSING	LOWER HOUSING
401		449748	STORAGE BOX ASSEMBLY	STORAGE BOX ASSEMBLY
402		449755	LEFT COVER SET	LEFT COVER SET



POS	QTY	PARTNUMBER	BESKRIVELSE	DESCRIPTION
1		449776	L R INDICATOR COVER SET	L R INDICATOR COVER SET
2		450271	HEXAGON SOCKET SCREW	HEXAGON SOCKET SCREW
3		450136	WIRE HOLDER	WIRE HOLDER
4		450182	GUARD ASSEMBLY	GUARD ASSEMBLY
5		449828	LED ELECTRIC ASSEMBLY	LED ELECTRIC ASSEMBLY



POS	QTY	PARTNUMBER	BESKRIVELSE	DESCRIPTION
1		450243	TAPPING SCREW	TAPPING SCREW
2		447271	CORD ANCHORAGE	CORD ANCHORAGE
3		450196	WIRING HARNESS	WIRING HARNESS
4		449884	RIGHT COVER	RIGHT COVER
5		449908	RIGHT COVER PLATE	RIGHT COVER PLATE
6		450204	TYPE-C MALE-FEMALE WIRE	TYPE-C MALE-FEMALE WIRE
7		450271	HEXAGON SOCKET SCREW	HEXAGON SOCKET SCREW
8		449906	PHONE BOX	PHONE BOX
9		450088	TORSION SPRING	TORSION SPRING
10		449951	PHONE BOX COVER	PHONE BOX COVER
11		450226	PUSH SWITCH	PUSH SWITCH
12		450225	PUSH SWITCH	PUSH SWITCH
13		449895	CONTROL PANEL	CONTROL PANEL
14		449752	LCD ASSEMBLY	LCD ASSEMBLY
15		449902	WIRE HOLDER	WIRE HOLDER
16		449986	RUBBER SLEEVE	RUBBER SLEEVE
17		449830	SWITCH ELECTRIC ASSEMBLY	SWITCH ELECTRIC ASSEMBLY
18		446852	CORD ANCHORAGE	CORD ANCHORAGE
19		450251	TAPPING SCREW	TAPPING SCREW
20		450197	WIRING HARNESS	WIRING HARNESS
21		449896	CONTROL BOX BASE	CONTROL BOX BASE
22		449904	LED COVER	LED COVER
23		449905	LED HOLDER	LED HOLDER
24		449832	LED ELECTRIC ASSEMBLY	LED ELECTRIC ASSEMBLY
401		450377	CONTROL BOX ASSEMBLY	CONTROL BOX ASSEMBLY



POS	QTY	PARTNUMBER	BESKRIVELSE	DESCRIPTION
1		449952	ARMREST	ARMREST
2		450253	SCREW	SCREW
3		450310	FLANGE BOLT-LARGE SERIES	FLANGE BOLT-LARGE SERIES
4		450220	SWITCH ASSEMBLY	SWITCH ASSEMBLY
5		450297	HEXAGON FLANGE BOLT	HEXAGON FLANGE BOLT
6		449971	WASHER	WASHER
7		449757	GUIDE RAIL ASSEMBLY	GUIDE RAIL ASSEMBLY
8		450259	HEXAGON SOCKET SCREW	HEXAGON SOCKET SCREW
401		449789	RIGHT ARMREST ASSEMBLY	RIGHT ARMREST ASSEMBLY
402		449790	LEFT ARMREST ASSEMBLY	LEFT ARMREST ASSEMBLY