

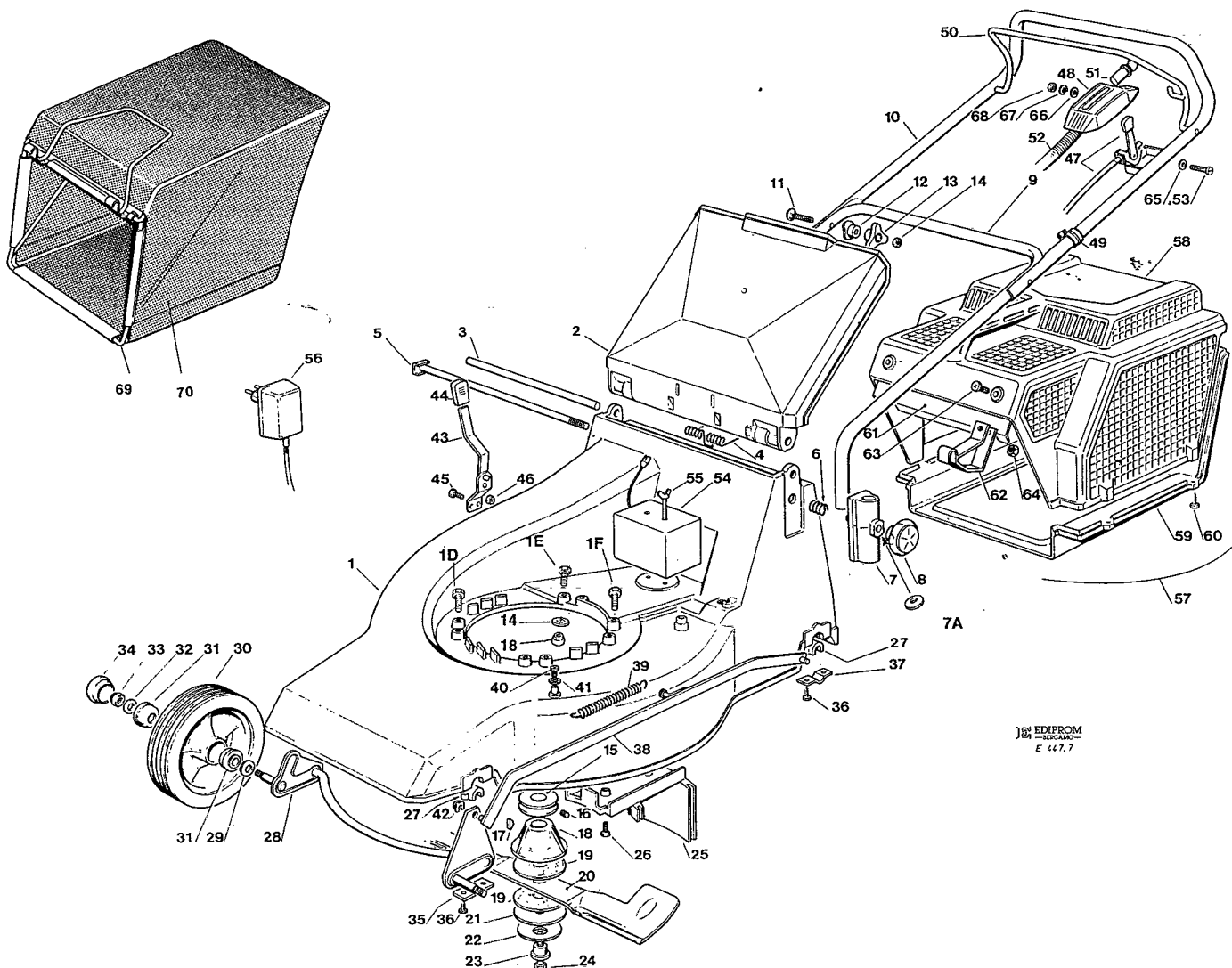


**POWER**<sup>®</sup>  
**Flash**<sup>®</sup>

VISTE ESPLOSE  
EXPLODED VIEWS  
VUES ECLATEES  
SPRENGZEICHNUNGEN

PA 502 TR - F 502 TR  
PA 504 TR - F 504 TR  
PA 504 TR/E - F 504 TR/E 001

Mod. 1991



EDIPROM  
-SERVIZIO-  
E 447.7

Pos. Nr.	Codice Kodex Code	Descrizione	Description	Description	Beschreibung	Q.tà Q.ty Q.tè Menge
1	81000297/0	ASS. CHASSIS ROSSO	RED DECK ASS'Y	ENS. CHASSIS ROUGE	ROTES GEHÄUSE SATZ	1
1A	81000780/0	ASS. CHASSIS ROSSO (A.E.)	RED DECK ASS'Y (E.S.)	ENS. CHASSIS ROUGE (D.E.)	ROTES GEHÄUSE SATZ (E.S.)	1
1B	81000290/0	ASS. CHASSIS GIALLO	YELLOW DECK ASS'Y	ENS. CHASSIS JOUNE	GELBES GEHÄUSE SATZ	1
1C	81000295/0	ASS. CHASSIS GIALLO (A.E.)	YELLOW DECK ASS'Y (E.S.)	ENS. CHASSIS JOUNE (D.E.)	GELBES GEHÄUSE STAZ (E.S.)	1
1D	12691800/0	VITE (M8x60) 4T	SCREW (M8x60) 4T	VIS (M8x60) 4T	SCHRAUBE (M8x60) 4T	3
1E	12691700/0	VITE (M8x55) 2T	SCREW (M8x55) 2T	VIS (M8x55) 2T	SCHRAUBE (M8x55) 2T	3
1F	12692080/0	VITE (M8x90) QUANTUM	SCREW (M8x90) QUANTUM	VIS (M8x90) QUANTUM	SCHRAUBE (M8x90) QUANTUM	1
1G	12521350/0	RONDELLA	WASHER	RONDELLE	SCHEIBE	3
1H	12155000/0	DADO	NUT	ECROU	MUTTER	3
2	22600010/0	PARASSASSI	STONE-GUARD	PARE-PIERRES	PRALLBLECH	1
3	22517854/0	PERNO	PIN	PIVOT	BOLZEN	1
4	22450700/0	MOLLA	SPRING	RESSORT	FEDER	1
5	81001210/0	ASSE FULCRO MANICO	HANDLE FULCRUM AXLE	POINT D'APPUI MANCHERON	GRIFFSTUETZE	1
6	22446190/0	MOLLA	SPRING	RESSORT	FEDER	2
7	22785065/0	SUPPORTO MANICO	HANDLE SUPPORT	SUPPORT MANCHERN	GRIFFHALTER	2
7A	12522030/0	RONDELLA	WASHER	RONDELLE	SCHEIBE	1
8	22595150/0	MANOPOLA FISSAGGIO MANICO	FIXING KNOB	POIGNÉE FIXAGE MANCHERON	GRIFFBEFESTIGUNG	1
9	81006827/0	ASS. PARTE INF. MANICO	LOW HANDLE ASS'Y	PARTIE INF. MANCHERON	UNTERHOLM	1
10	81006907/0	ASS. PARTE SUP. MANICO	UPPER HANDLE	PARTIE SUP. MANCHERON	OBERHOLM	1
11	12522030/0	RONDELLA	WASHER	RONDELLE	SCHEIBE	1



**CASTEL GARDEN EQUIPMENT** spa  
I - 31033 CASTELFRANCO VENETO - ITALY  
TF (0423) 493161 - TX 433359 GARDEN ITALY  
FAX (0423) 498404

CN 71502710/1  
Printed in Italy by TYP'0

Pos. Nr.	Codice Kodex Code	Descrizione	Description	Description	Beschreibung	Q.tà Q.ty Q.tè Menge
12	22680006/1	RONDELLA	WASCHER	RONDELLE	SCHEIBE	2
13	22399900/0	MANOPOLINA	KNOB	POIGNÉE	GRIFF	2
14	12293200/0	DADO	NUT	ECROU	MUTTER	1
15	22601903/0	PULEGGIA MOTORE (Ø 25 - 4 KM/H)	ENGINE PULLEY (Ø 25 - 4 KM/H)	POULIE MOTEUR (Ø 25 - 4 KM/H)	RIEMENSCHLEIBE (Ø 25 - 4 KM/H)	1
15A	22601906/0	PULEGGIA MOTORE (Ø 22 - 4 KM/H)	ENGINE PULLEY (Ø 22 - 4 KM/H)	POULIE MOTEUR (Ø 22 - 4 KM/H)	RIEMENSCHLEIBE (Ø 22 - 4 KM/H)	1
16	12713801/0	GRANO PULEGGIA CON CHIAVETTA	PULLEY DOWEL WITH KEY	VIS SANS TETE POUR POULIE	SCHRAUBE FUER RIEMENSCHLEIBE MOTOR B&S	1
16A	12714302/0	GRANO PULEGGIA SENZA CHIAVETTA	PULLEY DOWEL WITHOUT KEY	VIS SANS TÊTE POUR POULIE	SCHRAUBEN FUER REIMENSCHLEIBE MOTOR TECNAMOTOR	1
17	12139150/0	LINGUETTA (PP Ø 25)	KEY (P.T.O. Ø 25)	LANGUETTE (PF Ø 25)	KEIL (MW Ø 25)	
17A	12139100/0	LINGUETTA (PP Ø 22)	KEY (PTO Ø 22)	LANGUETTE (PF Ø 22)	KEIL (MW Ø 22)	
18	22465576/0	MOZZO (PP 62 Ø 25)	HUB (PTO 62 Ø25)	MOYEU (PF 62 Ø25)	HALTER (MW 62 Ø25)	1
18A	22465575/0	MOZZO (PP 62 Ø22) X	HUB (PTO 62 Ø22)	MOYEU (PF 62 Ø22)	HALTER (MW 62 Ø22)	1
18B	22174013/0	DISTANZIALE (PP 62 Ø 22)	SPACER (PTO 62 Ø 22)	ENTRETOISE (PF 62 Ø 22)	DISTANZRING (MW 62 Ø 22)	1
18C	22463019/0	MOZZO (PP 80 Ø22) H 48mm	HUB (PTO 80 Ø22)	MOYEU (PF 80 Ø22)	HALTER (MW 80 Ø22)	1
19	22672110/1	RONDELLA FRIZIONE	CLUTCH WASHER	RONDELLE FRICTION	KUPPLUNGSSCHLEIBE	2
20	81004395/1	COLTELLO ALETTATO	WINGS BLADE	LAME A AILETTES	FLUEGEL MESSER	1
21	22672105/0	RONDELLA	WASHER	RONDELLE	SCHEIBE	1
22	12508120/0	MOLLA A TAZZA	CUPPED SPRING	RESSORT	TELLERFEDER	1
23	22041940/0	BUSSOLA FRIZIONE	CLUTCH BUSH	DOUILLE FRICTION	KUPPLUNGSSCHLEIBE	1
24	12736825/0	VITE (PP 62)	SCREW (PTO 62)	VIS (PF 62)	SCHRAUBE (MW 62)	1
24A	12736850/0	VITE (PP 80)	SCREW (PTO 80)	VIS (PF 80)	SCHRAUBE (MW 80)	1
25	22060880/0	CARTER PROTEZIONE	BELT GARD	VARTER PROTECTION	SCHUTZGEHAEUSE	1
26	12728625/0	VITE	SCREW	VIS	SCHRAUBE	2
27	22038401/0	BRONZINA	BUSHING	COUSSINET EN BRONZE	BRONZELAGER	2
28	81001212/0	ASSE RUOTE ANT.	FRONT WHEELS AXLE	AXE ROUES AVANT	VORDERRAEDER ACHSE	1
29	12530150/0	ROSETTA ELASTICA	GROWER	RONDELLE ELASTIQUE	FEDERSCHLEIBE	4
30	81007292/0	RUOTA Ø170 (DISCO GIALLO)	WHEELS Ø170 (YELLOW DISC)	ROUE Ø170 (DISQUE JAUNE)	RAD Ø170 (GEBLE SCHEIBE)	2
30A	81007242/0	RUOTA Ø170 (DISCO BIANCO)	WHELL Ø170 (WHITE DISC)	ROUE Ø170 (DISQUE BLANC)	RAD Ø170 (WEISSE SCHEIBE)	2
31	22122200/0	CUSCINETTO	DEARING BALL	COUSSINET	KUGELLAGER	4
32	12521350/0	RONDELLA	WASHER	RONDELLE	SCHEIBE	2
33	12155000/0	DADO	NUT	ECROU	SCHRAUBENMUTTER	2
34	22110275/0	COPRIMOZZO	HUB CUP	COUVRE MOYEU	RADKAPPE	4
35	22545142/0	PIASTRINA	PLAQUE	PLAQUETTE	PLATTCHEN	2
36	12731350/0	VITE	SCREW	VIS	SCHRAUBE	8
37	33545152/0	PIASTRINA	PLAQUE	PLAQUETTE	PLATTCHEN	2
38	81001220/0	ASTA	ROD	TIGE	STANGE	1
39	22446180/0	MOLLA	SPRING	RESSORT	FEDER	1
40	12729600/0	VITE	SCREW	VIS	SCHRAUBE	1
41	12423040/0	ROSETTA	WASHER	RONDELLE	FEDER	1
42	12436050/0	PIASTRINA	PLAQUE	PLAQUETTE	PLATTCHEN	2
43	81003277/0	LEVA REGOLAZIONE RUOTE	ADJ. LEVER	LEVIER REGLAGE ROUES	SCHNELLSCHNITTVERST. VERSTELLUNG	1
44	22397000/0	MANOPOLINA	KNOB	POIGNÉE	GRIFF	1
45	12788880/0	VITE	SCREW	VIS	SCHRAUBE	2
46	12154330/0	DADO	NUT	ECROU	FEDER	2
47	81007048/0	ASS. ACCELERAZIONE UNIV.	UNIVERSAL ACCELERATOR	ACCELERATEUR UNIVERSELLE	UNIVERSALGASZUG	1
48	22120143/0	CRUSCOTTO	DASH BOARD	CONSOLE	KONSOLE	1
49	22192000/1	FASCETTA ANCORAGGIO	ANCHOR CLATIP	COLLIER ANCRAGE	BOWDENZUGHALTER	2
50	81001218/1	LEVA COMANDO TRAZIONE	DRIVE CONTROL LEVER	COMMANDE TRACTION	ANTRIEBSHEBEL	1
51*	18450050/0	INTERRUTTORE	SWITCH	INTERRUPTEUR	SCHALTER	1
52*	18204190/0	ASS. CABLAGGIO	CABLES ASS'Y	ENS. CABLAGES	KABE SATZ	1
53	12791400/0	VITE	SCREW	VIS	SCHRAUBE	2
54*	18120050/0	BATTERIA	BATTERY	BATTERI	BATTERIA	1
54A	81006847/0	PROTEZIONE BATTERIA (B&S)	BETTERY GUARD (B&S)	PROTECTION BATTERIE (B&S)	BATTERIE SCHUTZ (B&S)	1
55	22517855/0	PERNO	PIN	PIVOT	BOLZEN	2
55A	12523000/0	RONDELLA	WASHER	RONDELLE	SCHEIBE	2
55B	12540020/0	RONDELLA	WASHER	RONDELLE	SCHEIBE	2
56*	18204110/0	CARICA BATTERIA	BATTERY LOADER	CHARGEUR DE BATTERIE	LADGERAET	1
57	91004800/0	SACCO ASSEMBLATO	ASSEMBLED BOX	SAC ASSEMBLE	KORB	1
58	22710169/0	PARTI SUPERIORE SACCO	GRASSCATCHER UPPER UPPER PART	PARTIE SUP. BAC	KORB OBERTEIL	1
59	22710162/0	PARTI INFERIORE SACCO	GRASSCATCHER	PARTIE INF. BAC	KORB UNTERTEIL	1
60	12728640/0	VITE	SCREW	VIS	SCHRAUBE	9
61	81001203/0	ASS. SUPPORTO SACCO	GRASSCATCHER SUPPORT ASS'Y	SUPPORT BAC	KORBBALTER	1
62	81007291/0	ASS. SUPPORTO AGGANCIÓ	HITCH SUPPORT ASS'Y	SUPPORT ACCROCHAGE	KORBBALTER	2
63	12727791/0	VITE	SCREW	VIS	SCHRAUBE	2
64	12292102/0	DADO	NUT	ECROU	SCHRAUBENMUTTER2	
65	12523040/0	RONDELLA	WASHER	RONDELLE	SCHEIBE	2
66	12521330/0	WASHER	RONDELLE	SCHEIBE	2	
67	12582100/0	GROWER	GROWER	GROWER	FEDERRING	2
68	12292100/0	DADO	NUT	ECROU	MUTTER	1
69	81006425/0	TELAIO	DECK	CHASSIS	GEHÄUSE	1
70	81002106/0	TELA SACCO	FABRIC BOX	TOILE PUR SAC	TUCH FUER SACK	1
71	90006000/0	ASS. SACCO IN TELA	CANVAS GRASSCATCHER ASS'Y	ENSEMBLE SAC EN TOILE	KOMPLETTER SACK	1
-	81008559/0	DOTAZIONE VITERIA	SCREWS OUTFIT	DOTATION VISSEIRE	SCHRAUBENSATZ	1

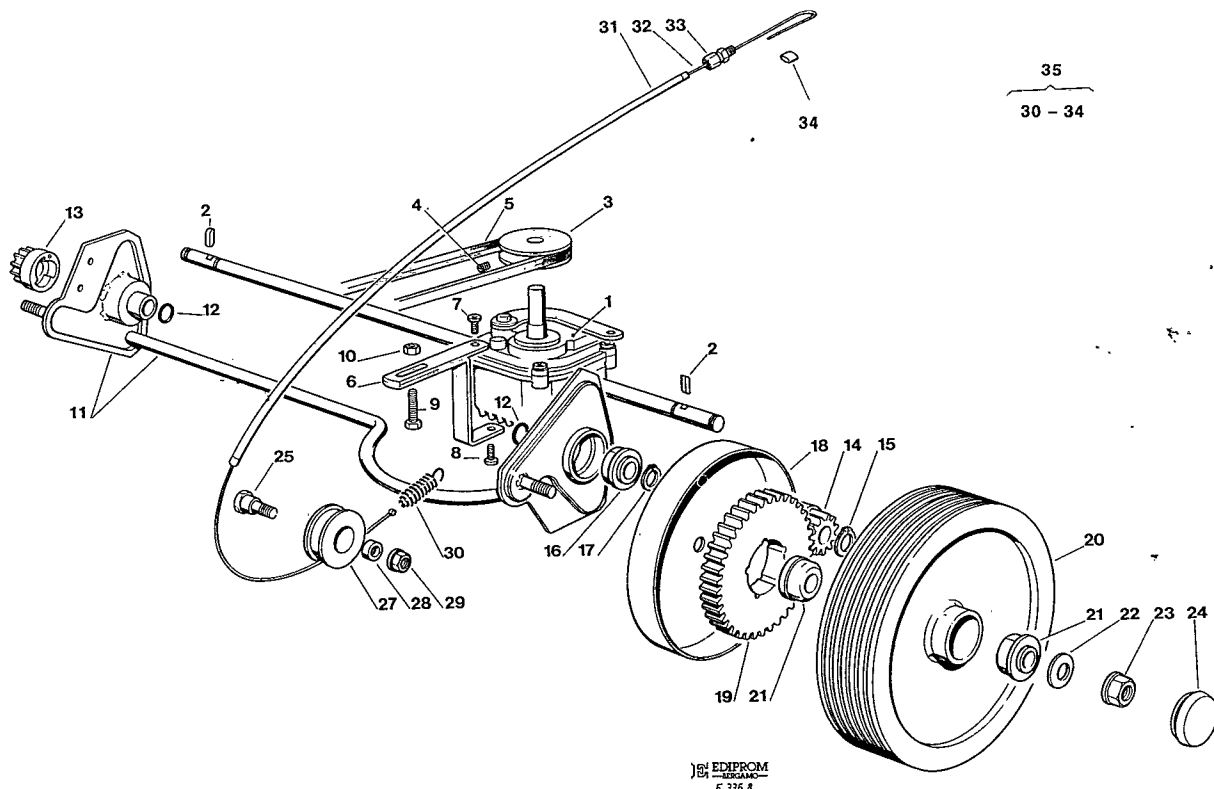
DOVENDO SOSTITUIRE IN GARANZIA LE PARTI CONTRASSEGNAE CON «\*» RIVOLGERSI AL COSTRUTTORE DEL MOTORE.  
IF YOU HAVE TO CHANGE THE PIECES INDICATED WITH «\*» ON WARRANTY YOU ADRESS TO AFTER SALES SERVICE OF ENGINE MANUFACTURER.  
SI VOUS DEVEZ SUBSTITUER LES PIÉCES INDIQUÉES AVEC «\*» SOUS GARANTIE VOUS DEVEZ VOUS ADRESSER AU SERVICE APRÈS VENTES DE LA MAISON CON-  
STRUCTRICE DU MOTEUR.  
BITTE WENDEN SIE SICH BEI GARANTIEREPARATUREN DER MIT «\*» GÉKENNZEICHNETEN TEILE AN DIE KUNDENDIENSTSTELLE DES MOTORHERSTELLER.



**POWER**<sup>®</sup>  
**Flash**<sup>®</sup>

VISTE ESPLOSE  
EXPLODED VIEWS  
VUES ECLATEES  
SPRENGZEICHNUNGEN

PA 502 TR - F 502 TR  
PA 504 TR - F 504 TR  
PA 504 TR/E - F 504 TR/E 002



EDIPROM  
E 336.8

Pos. Nr.	Codice Kodex Code	Descrizione	Description	Description	Beschreibung	Q.tà Q.ty Q.tè Menge
1	18652000/1	GRUPPO TRAZIONE	REAR DRIVE	GROUPE TRACTION	ANTRIEB	1
2	22328600/1	LINGUETTA TRASCINAMENTO	DRIVING KEY	LANGUETTE ENTRAINEMENT	MITNEHMERLAPPEN	2
3	22601901/0	PULEGGIA 4 KM/H	PULLEY 4 KM/H	POULIE 4 KM/H	RIEMENSCHLEIBE 4 KM/H	1
4	12714302/0	GRANO	DOWEL	VIS SANS TETE	SCHRAUBE	1
5	35064150/0	CINGHIA	BELT	COURROIE	RIEMEN	1
6	81000765/0	ASS. SUPPORTO GRUPPO TRAZIONE	REAR DRIVE UNIT SUPPORT	SUPPORT GROUPE TRACTION	ANTRIEBHALTER	1
7	12728510/0	VITE	SCREW	VIS	SCHRAUBE	1
8	12728630/0	VITE	SCREW	VIS	SCHRAUBE	1
9	12793850/0	VITE	SCREW	VIS	SCHRAUBE	1
10	12293200/0	DADO	NUT	ECROU	SCHRAUBENMUTTER	1
11	81001232/0	ASS. RUOTE POST.	REAR WHEELS AXLE	AXE ROUES ARRIERES	HINTERRAEDER AXHSE	1
12	12019900/0	ANELLO	RING	ANNEAU	RING	2
13	22570110/0	PIGNONE DX	RIGHT PINION	PIGNON DROIT	RECHTES RITZEL	1
14	22570120/0	PIGNONE SX	LEFT PINION	PIGNON GAUCHE	LINKES RITZEL	1
15-17	12608600/0	SEEGER	SEEGER	SEEGER	SEEGER	1
16-21	22122200/0	CUSCINETTO	BEARING BALL	COUSSINET	KUGELLAGER	1
18	81006846/0	PROTEZIONE RUOTE	WHEELS GUARD	PROTECTION RUOES	RAEDERSCHUTZ	2
19	22120105/1	CORONA	RING GEAR	COURONNE	KRANZ	2
20	81007238/1	RUOTA POST. Ø210 (DISCO GIALLO)	REAR WHEEL Ø210 (YELLOW DISC)	ROUE ARRIERE Ø210 (DISQUE JAUNE)	HINTERRAD Ø210 (GELBE SCHEIBE)	2
20A	81007234/1	RUOTA POST. Ø210 (DISCO BIANCO)	REAR WHEEL Ø210 (WHITE DISC)	ROUE ARRIERE Ø210 (DISQUE BLANC)	HINTERRAD Ø210 (WEISSE SCHEIBE)	2
21	22122200/0	CUSCINETTO	BEARING BALL	COUSSINET	KUGELLAGER	4
22	12369500/0	RONDELLA	WASHER	RONDELLE	SCHEIBE	2
23	12155000/0	DADO	WASHER	ECROU	SCHRAUBENMUTTER	2
24	22110275/0	COPRIMOZZO	HUB CUP	COUVRE MOYER	RADKAPPE	2
25	22523310/0	PERNO PER RUOTINO	ROLLER PIN	PIVOT POUR ROULEAU	RADCHEN	1
27	81003375/0	ASS. RUOTINO	BEARING BALL	COUSSINET	KUGELLAGER	1
28	22167830/0	DISTANZIALE	SPACER	ENTRETOISE	ENTFERNUNGSSTUECK	1
29	12293200/1/0	DADO	NUT	ECROU	SCHRAUBENMUTTER	1
30	22450800/0	MOLLA	SPRING	RESSORT	FEDER	1
31	22265176/1	GUAINA BOWDEN	BOWDEN SHEAT	GAINE BOWDEN	BOWDENKABELABDECKUNG	1
32	22206040/2	FIL	WIRE	FIL	KABEL	1
33	22604052/0	TENDIFILO	WIRE STRETCHER	TENDEUR A FIL	KABEL SPANNER	1
34	15407030/0	FASCETTA	CLIP	COLLIER	KABELBALD	1
35	81001082/0	ASS. COMANDO TRAZIONE	REAR DRIVE ASS'Y	ENS. COMANDE TRACTION	ANTRIEB	1