

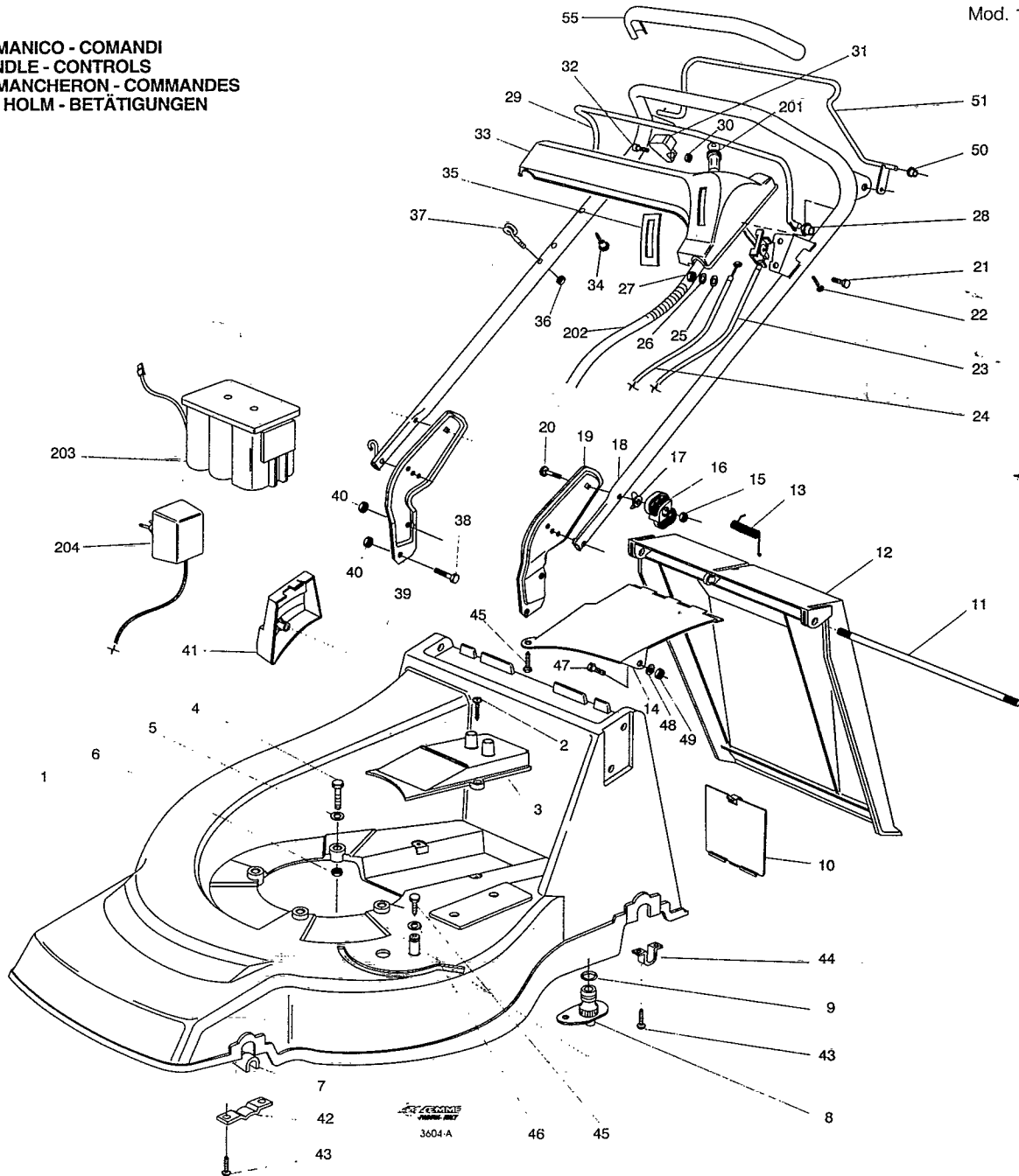
VISTE ESPLOSE  
EXPLODED VIEWS

VUES ECLATEES  
SPRENGZEICHNUNGEN

Rapid S10 Lux NP 534 TR  
NP 534 TR-E

Mod. 1997

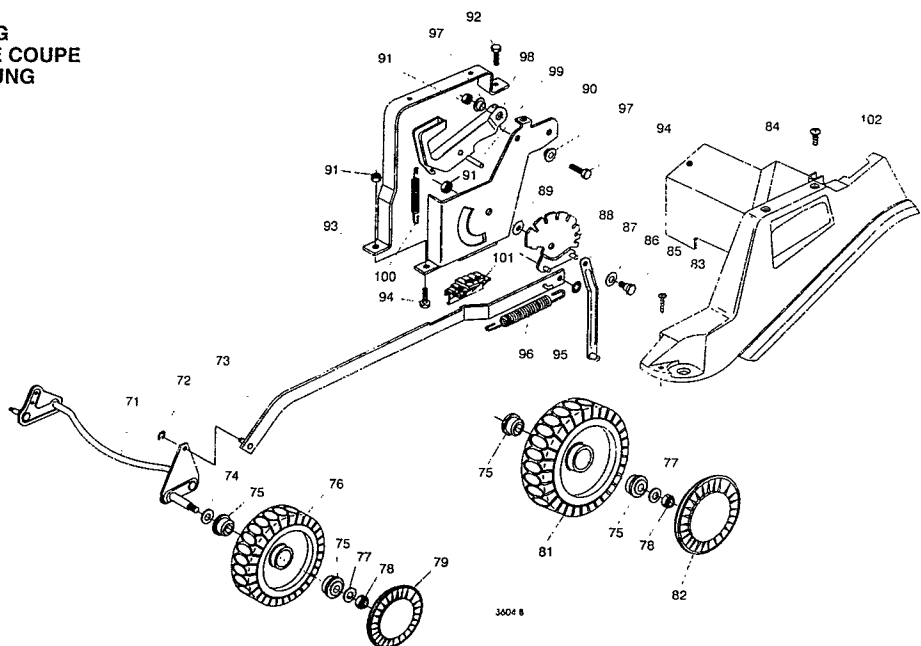
CHASSIS - MANICO - COMANDI  
DECK - HANDLE - CONTROLS  
CHÂSSIS - MANCHERON - COMMANDES  
GEHÄUSE - HOLM - BETÄTIGUNGEN



| Pos. Nr. | Codice Code Kodex | Descrizione            | Description        | Description          | Beschreibung      | Q.tà Q.ty-Q.tè Menge |
|----------|-------------------|------------------------|--------------------|----------------------|-------------------|----------------------|
| 1        | 81001652/0        | CHASSIS ROSSO          | RED DECK           | CHÂSSIS ROUGE        | ROTES GEHÄUSE     | 1                    |
| -        | 81001654/0        | CHASSIS GIALLO         | YELLOW DECK        | CHÂSSIS JAUNE        | GELBES GEHÄUSE    | 1                    |
| -        | 81001656/0        | CHASSIS VERDE          | GREEN DECK         | CHÂSSIS VERT         | GRÜNES GEHÄUSE    | 1                    |
| 2        | 12728522/0        | VITE                   | SCREW              | VIS                  | SCHRAUBE          | 2                    |
| 3        | 22060181/0        | CARTER CINGHIA         | BELT PROTECTION    | PROTECTION COURROIRE | RIEMENSCHUTZ      | 1                    |
| 4        | 12691800/0        | VITE                   | SCREW              | VIS                  | SCHRAUBE          | 3/2                  |
| -        | 12692080/0        | VITE                   | SCREW              | VIS                  | SCHRAUBE          | 0/1                  |
| 5        | 12521350/0        | RONDELLA               | WASHER             | RONDELLE             | SCHEIBE           | 3                    |
| 6        | 12155000/0        | DADO                   | NUT                | ECROU                | MUTTER            | 3                    |
| 7        | 22038400/0        | BRONZINA               | BUSH               | DOUILLE              | BUCHSE            | 2                    |
| 8        | 22034000/0        | ATTACCO ACQUA LAVAGGIO | WASHING CONNECTION | ATTACHE LAVAGE       | WASCHENVERBINDUNG | 1                    |
| 9        | 19035000/0        | ANELLO OR              | OR RING            | BAGUE OR             | RING OR           | 1                    |
| 10       | 22595352/0        | PORTINA CHIUSURA       | INSPECTION DOOR    | VOYANT DE VISITE     | ABDECKPLATTE      | 1                    |
| 11       | 22517856/0        | PERNO                  | PIN                | PIVOT                | BOLZEN            | 1                    |

| Pos. Nr.                                 | Codice Code Kodex | Descrizione                    | Description                   | Description                                 | Beschreibung                   | Q.tà<br>Q.ty-Q.té<br>Menge       |
|--|-------------------|--------------------------------|-------------------------------|---|--------------------------------|----------------------------------|
| 12                                       | 22600023/2        | PARASASSI                      | STONE-GUARD                   | PARE-PIERRES                                | PRALLBLECH                     | 1                                |
| 13                                       | 22450270/0        | MOLLA                          | SPRING                        | RESSORT                                     | FEDER                          | 1                                |
| 14                                       | 22108205/0        | CONVOGLIATORE                  | CONVEYOR                      | CONVOYEUR                                   | KONVOYOR                       | 1                                |
| 15                                       | 12293200/0        | DADO                           | NUT                           | ECROU                                       | MUTTER                         | 2                                |
| 16                                       | 22399803/0        | MANOPOLINA                     | KNOB                          | POIGNÉE                                     | GRIFF                          | 2                                |
| 17                                       | 22680006/1        | RONDELLA                       | WASHER                        | RONDELLE                                    | SCHIBE                         | 2                                |
| 18                                       | 81007028/0        | MANICO                         | HANDLE                        | MANCHERON                                   | HOLM                           | 1                                |
| 19                                       | 22778397/0        | STAFFA SX                      | LEFT BRACKET                  | BRIDE GAUCHE                                | LINKE PRATZE                   | 1                                |
| 20                                       | 12819120/0        | VITE                           | SCREW                         | VIS   | SCHRAUBE                       | 2                                |
| 21                                       | 12788910/0        | VITE                           | SCREW                         | VIS   | SCHRAUBE                       | 2                                |
| 22                                       | 12728460/0        | VITE                           | SCREW                         | VIS   | SCHRAUBE                       | 1                                |
| 23                                       | 81007091/0        | ACCELERATORE (B&S)             | TROTTLER (B&S)                | ACCELERATEUR (B&S)                          | BESCHLEUNIGER (B&S)            | 1                                |
| -  | 81007092/0        | ACCELERATORE (TECUMSEH-HONDA)  | TROTTLER (TECUMSEH-HONDA)     | ACCELERATEUR (TECUMSEH-HONDA)               | BESCHLEUNIGER (TECUMSEH-HONDA) | 1                                |
| 24                                       | 81000628/0        | CAVO FRENO MOTORE (HONDA)      | THREAD MOTOR BRAKE (HONDA)    | CABLE FREIN MOTEUR (HONDA)                  | MOTORBREMSKABEL (HONDA)        | 1                                |
| -  | 81000629/1        | CAVO FRENO MOTORE (TECUMSEH)   | THREAD MOTOR BRAKE (TECUMSEH) | CABLE FREIN MOTEUR (TECUMSEH)               | MOTORBREMSKABEL (TECUMSEH)     | 1                                |
| -  | 81000634/0        | CAVO FRENO MOTORE (B&S)        | THREAD MOTOR BRAKE (B&S)      | CABLE FREIN MOTEUR (B&S)                    | MOTORBREMSKABEL (B&S)          | 1                                |
| 25                                       | 12523020/0        | RONDELLA                       | WASHER                        | RONDELLE                                    | SCHIBE                         | 2                                |
| 26                                       | 12581500/0        | RONDELLA                       | WASHER                        | RONDELLE                                    | SCHIBE                         | 2                                |
| 27                                       | 12291000/0        | DADO                           | NUT                           | ECROU                                       | MUTTER                         | 2                                |
| 28                                       | 22041966/0        | BUSSOLA                        | BUSH                          | DOUILLE                                     | BUCHSE                         | 2                                |
| 29                                       | 81003291/0        | LEVA                           | LEVER                         | LEVIER                                      | HEBEL                          | 1                                |
| 30                                       | 12290800/0        | DADO                           | NUT                           | ECROU                                       | MUTTER                         | 2                                |
| 31                                       | 22399801/0        | MANOPOLINA                     | KNOB                          | POIGNÉE                                     | GRIFF                          | 1                                |
| 32                                       | 12726388/0        | VITE                           | SCREW                         | VIS   | SCHRAUBE                       | 2                                |
| 33                                       | 22120150/0        | CRUSCOTTO ROSSO                | RED DASH-BOARD                | CONSOLE ROUGE                               | ROTE KONSOLE                   | 1                                |
| -  | 22120148/0        | CRUSCOTTO GIALLO               | YELLOW DASH-BOARD             | CONSOLE JAUNE                               | GELBE KONSOLE                  | 1                                |
| -  | 22120164/0        | CRUSCOTTO NERO                 | BLACK DASH BOARD              | CONSOLE NOIRE                               | SCHWARZE KONSOLE               | 1                                |
| 34                                       | 22943006/0        | VITE                           | SCREW                         | VIS   | SCHRAUBE                       | 1                                |
| 35                                       | 14356692/0        | ETICHETTA (TECUMSEN-HONDA)     | LABEL (TECUMSEN-HONDA)        | ETIQUETTE (TECUMSEN-HONDA)                  | ETIKETTE (TECUMSEN-HONDA)      | 1                                |
| -  | 14356693/0        | ETICHETTA (B&S)                | LABEL (B&S)                   | ETIQUETTE (B&S)                             | ETIKETTE (B&S)                 | 1                                |
| 36                                       | 12154330/0        | DADO                           | NUT                           | ECROU                                       | MUTTER                         | 1                                |
| 37                                       | 22430309/0        | MOLLA GUIDA                    | SPRING                        | RESSORT                                     | FEDER                          | 1                                |
| 38                                       | 12793301/0        | VITE                           | SCREW                         | VIS   | SCHRAUBE                       | 2                                |
| 39                                       | 22778396/0        | STAFFA DX                      | RIGHT BRACKET                 | BRIDE DROITE                                | RECHTE PRATZE                  | 1                                |
| 40                                       | 12155000/0        | DADO                           | NUT                           | ECROU                                       | MUTTER                         | 4                                |
| 41                                       | 22601001/0        | PROTEZIONE                     | PROTECTION                    | PROTECTION                                  | SCHUTZ                         | 1                                |
| 42                                       | 22545156/0        | PIASTRINA                      | PLATE                         | PLAQUETTE                                   | PLATTE                         | 2                                |
| 43                                       | 12731350/0        | VITE                           | SCREW                         | VIS   | SCHRAUBE                       | 8                                |
| 44                                       | 22545152/0        | PIASTRINA                      | PLATE                         | PLAQUETTE                                   | PLATTE                         | 2                                |
| 45                                       | 12729600/0        | VITE                           | SCREW                         | VIS   | SCHRAUBE                       | 2                                |
| 46                                       | 12523040/0        | RONDELLA                       | WASHER                        | RONDELLE                                    | SCHIBE                         | 1                                |
| 47                                       | 12789000/0        | VITE                           | SCREW                         | VIS   | SCHRAUBE                       | 2                                |
| 48                                       | 12523020/0        | RONDELLA                       | WASHER                        | RONDELLE                                    | SCHIBE                         | 1                                |
| 49                                       | 12154330/0        | DADO                           | NUT                           | ECROU                                       | MUTTER                         | 1                                |
| 50                                       | 22041965/0        | BUSSOLA                        | BUSH                          | DOUILLE                                     | BUCHSE                         | 2                                |
| 51                                       | 81003288/1        | LEVA TRAZIONE                  | DRIVING LEVER                 | LEVIER TRACTION                             | ANTRIEBHEBEL                   | 1                                |
| 55                                       | 22291050/0        | IMPUGNATURA MANICO NERA        | BLACK HANDGRIP                | POIGNÉE NOIRE                               | SCHWARZER HANDGRIFF            | 1                                |
| -  | 22291051/0        | IMPUGNATURA MANICO ROSSA       | RED HANDGRIP                  | POIGNÉE ROUGE                               | RÖTER HANDGRIFF                | 1                                |
| -  | 22291052/0        | IMPUGNATURA MANICO GIALLA      | YELLOW HANDGRIP               | POIGNÉE JAUNE                               | GELBER HANDGRIFF               | 1                                |
| <b>Varianti per avviamento elettrico</b> |                   | <b>Parts of electric start</b> |                               | <b>Composants pour démarrage électrique</b> |                                | <b>Elektrostart bestandteile</b> |
| 201*                                     | 18450050/0        | INTERRUTTORE                   | SWITCH                        | INTERRUPTEUR                                | SCHALTER                       | 1                                |
| 202*                                     | 18204190/2        | CAVO AVVIAMENTO                | START CABLE                   | CABLE DÉMARRAGE                             | START KABEL                    | 1                                |
| 203*                                     | 18120050/0        | BATTERIA                       | BATTERY 12V-2.5AH             | BATTERIE 12V-2.5HA                          | BATTERIE 12V-2.5AH             | 1                                |
| 204*                                     | 18204110/0        | CARICA BATTERIA                | BATTERY CHARGER               | CHARGEUR DE BATTERIE                        | LADGERÄT                       | 1                                |

**RUOTE E REGOLAZIONE  
WHEELS AND HEIGHT ADJUSTING  
ROUES ET REGLAGE HAUTER DE COUPE  
RÄDER UND SCHNITTVERSTELLUNG**



Dovendo sostituire in garanzia le parti contrassegnate con \* rivolgersi al costruttore del motore

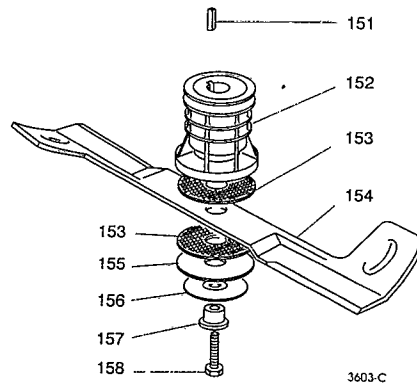
If you have to change the pieces indicated with \* on warranty you adress to after sales service of Engine Manufacturer

Si vous devez substituer les pièces indiquées avec \* sous garantie vous devez vous adresser au service apres ventes de la Mainson Constructrice du moteur

Bitte wenden sie sich bei Garantierparaturen der mit \* gekennzeichneten Teile an die Kundenienststelle des Motorhersteller

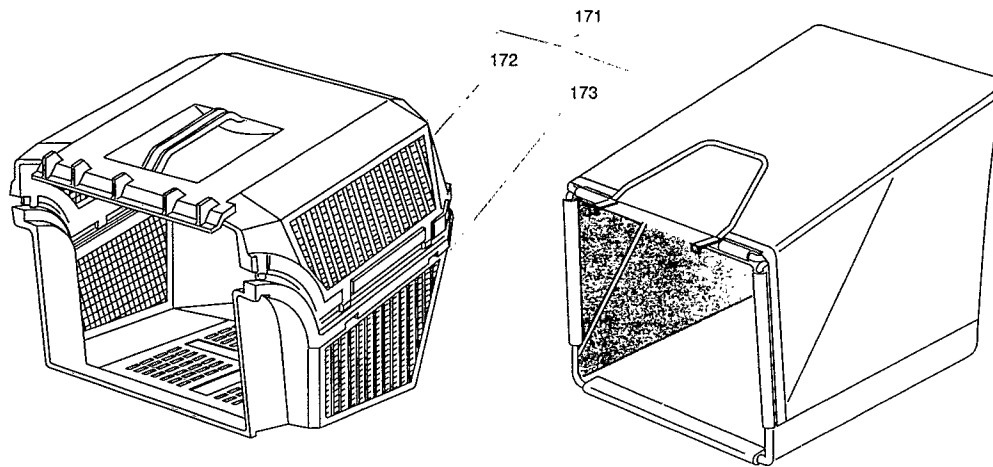
| Pos. Nr. | Codice Code Kodex | Descrizione | Description | Description | Beschreibung | Q.tà<br>Q.ty-Q.tè<br>Menge |
|----------|-------------------|-------------|-------------|-------------|--------------|----------------------------|
|----------|-------------------|-------------|-------------|-------------|--------------|----------------------------|

**GRUPPO COLTELLO  
BLADE ASS.Y  
GROUPE LAME  
MESSERSATZ**



|     |            |                   |               |                   |                |   |
|-----|------------|-------------------|---------------|-------------------|----------------|---|
| 151 | 12139100/0 | LINGUETTA         | FEATHER       | CLAVETTE          | KEIL           | 1 |
| 152 | 22465611/0 | MOZZO             | HUB           | MOYEU             | NABE           | 1 |
| 153 | 22672110/1 | RONDELLA FRIZIONE | CLUTCH WASHER | RONDELLE FRICTION | KUPPLUNGSCHIBE | 2 |
| 154 | 81004398/0 | COLTELLO          | BLADE         | LAME              | MESSER         | 1 |
| 155 | 12508120/0 | MOLLA A TAZZA     | CUPPED SPRING | RESSORT           | TELLER FEDER   | 1 |
| 156 | 22672105/0 | RONDELLA          | WASCHER       | RONDELLE          | SCHIBE         | 1 |
| 157 | 22041940/0 | BUSSOLA FRIZIONE  | CLUTCH BUSH   | DOUILLE FRICTION  | KUPPLUNGSCHIBE | 1 |
| 158 | 12736850/0 | VITE              | SCREW         | VIS               | SCHRAUBE       | 1 |

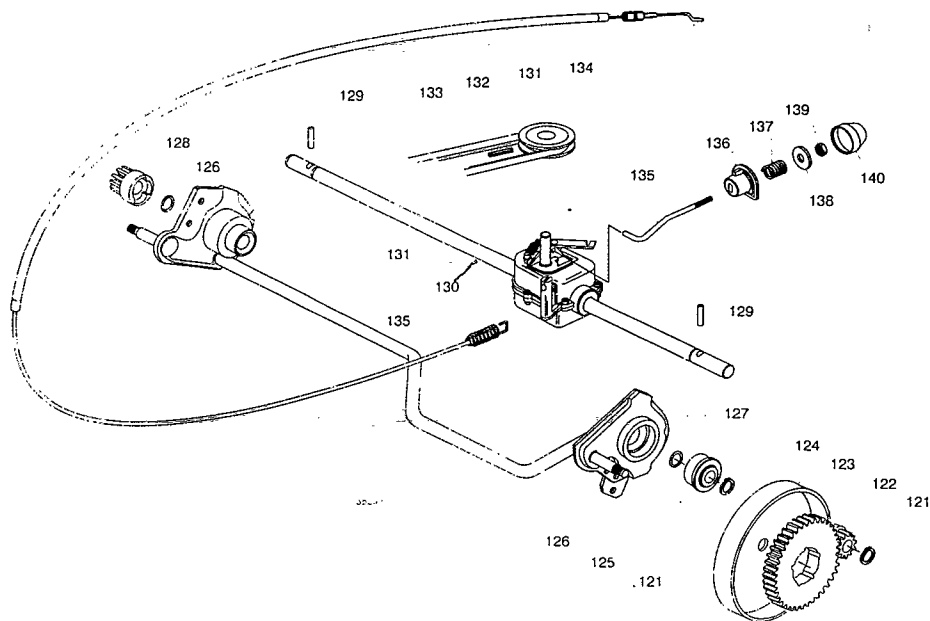
**SACCO RACCOGLIERBA E DOTAZIONE  
GRASS-CATCHER AND SCREWS OUTFITS  
BAC DE RAMASSAGE ET DOTATION VISSERIE  
GRASFANGKORB UND SCHRAUBENSATZ**



|     |            |                     |                            |                       |                 |   |
|-----|------------|---------------------|----------------------------|-----------------------|-----------------|---|
| 171 | 96500000/0 | SACCO COMPLETO      | COMPLETE GRASS-BOX         | BAC COMPLETE          | KOMPLETER KORB  | 1 |
| 172 | 22486065/0 | PARTE SUPER. SACCO  | UPPER GRASS-BOX            | PARTE SUPERIEURE SAC  | OBERKORB        | 1 |
| 173 | 22486064/0 | PARTE INFER. SACCO  | LOWER GRASS-BOX            | PARTE INFERIEURE SAC  | UNTERKORB       | 1 |
| 191 | 96400000/0 | ASS. SACCO TELA     | CANVASS GRASSCATCHER ASS.Y | ENSEMBLE SAC EN TOILE | KOMPLETTER SACK | 1 |
| 192 | 81006430/0 | TELAIO              | CHASSIS                    | CHASSIS               | RAHMEN          | 1 |
| 193 | 81002124/0 | TELA SACCO          | FABRIC BOX                 | TOILE POUR SAC        | TUCK FÜR SACK   | 1 |
| -   | 81008610/0 | DOTAZIONE VITERIA   | SCREWS OUTFIT              | DOTATION VISSERIE     | SCHRAUBEN SATZ  | 1 |
| -   | 81008499/1 | DOTAZIONE CRUSCOTTO | DASH BOARD OUTFIT          | DOTATION CONSOLE      | KONSOLE SATZ    | 1 |

| Pos. Nr. | Codice Code Kodex | Descrizione            | Description         | Description          | Beschreibung             | Q.tà<br>Q.ty-Q.tè<br>Menge |
|----------|-------------------|------------------------|---------------------|----------------------|--------------------------|----------------------------|
| 71       | 8100280/0         | ASSE RUOTE ANTERIORI   | FRONT WHEELS AXLE   | AXE ROUES AVANT      | VORDERRADACHSE           | 1                          |
| 72       | 12000930/0        | ANELLO ELASTICO        | ELASTIC RING        | ANNEAU ELASTIQUE     | ELASTISCHER RING         | 2                          |
| 73       | 81001134/0        | ASTA COMANDO           | ADJUSTMENT ROD      | TIGE COMMANDE        | STELLSTAB                | 1                          |
| 74       | 12530150/0        | RONDELLA ELASTICA      | ELASTIC WASHER      | RONDELLE ELASTIQUE   | ELASTISCHE SCHEIBE       | 2                          |
| 75       | 22122200/0        | CUSCINETTO             | BEARING             | COUSSINET            | KUGELLAGER               | 8                          |
| 76       | 81007317/0        | RUOTA SCOLPITA Ø 170   | KNOBBLY WHEEL Ø 170 | ROUE SCULPTEE Ø 170  | RAD. M. STOLLENPR. Ø 170 | 2                          |
| 77       | 12521350/0        | RONDELLA               | WASHER              | RONDELLE             | SCHEIBE                  | 4                          |
| 78       | 12155000/0        | DADO                   | NUT                 | ECROU                | MUTTER                   | 4                          |
| 79       | 22110282/0        | COPRIMOZZO BIANCO      | WHITE HUB CAP       | COUVRE-MOYEU BLANC   | WEIÙE RADKAPPE           | 2                          |
|          | 22110288/0        | COPRIMOZZO GIALLO      | YELLOW HUB CAP      | COUVRE-MOYEU JAUNE   | GELBE RADKAPPE           | 2                          |
|          | 22110290/1        | COPRIMOZZO ROSSO       | RED HUB CAP         | COUVRE-MOYEU ROUGE   | ROTE RADKAPPE            | 2                          |
| 81       | 81007318/0        | RUOTA SCOLPITA Ø 210   | KNOBBLY WHEEL Ø 210 | ROUE SCULPTEE Ø 210  | RAD M. STOLLENPR. Ø 210  | 2                          |
| 82       | 22110281/0        | COPRIMOZZO BIANCO      | WHITE HUB CAP       | COUVRE-MOYEU BLANC   | WEIÙE RADKAPPE           | 2                          |
|          | 22110287/0        | COPRIMOZZO GIALLO      | YELLOW HUB CAP      | COUVRE-MOYEU JAUNE   | GELBE RADKAPPE           | 2                          |
|          | 22110289/0        | COPRIMOZZO ROSSO       | RED HUB CAP         | COUVRE-MOYEU ROUGE   | ROTE RADKAPPE            | 2                          |
| 83       | 12728519/0        | VITE                   | SCREW               | VIS                  | SCHRAUBE                 | 3                          |
| 84       | 22060144/0        | CARTER REGOLAZIONE     | ADJUSTMENT DECK     | CHASSIS REGLAGE      | VERSTELLUNGSGEHÄUSE      | 1                          |
| 85       | 22529662/0        | PERNO FULCRO           | FULCRUM PIN         | PIVOT                | BOLZEN                   | 1                          |
| 86       | 22672151/0        | RONDELLA               | WASHER              | RONDELLE             | SCHEIBE                  | 1                          |
| 87       | 81001269/0        | ASTA ASSE POSTERIORE   | ROD REARAXLE        | BARRE AXE POSTERIEUR | HINTERACHSESTAB          | 1                          |
| 88       | 81000479/0        | SETTORE DI REGOLAZIONE | ADJUSTMENT SECTOR   | SECTEUR REGLAGE      | VERSTELLUNGSEKTOR        | 1                          |
| 89       | 22672152/0        | RONDELLA               | WASHER              | RONDELLE             | SCHEIBE                  | 1                          |
| 90       | 22785109/0        | SUPPORTO REGOLAZIONE   | SUPPORT             | SUPPORT REGLAGE      | VERSTELLUNGHALTER        | 1                          |
| 91       | 12233201/0        | DADO                   | NUT                 | ECROU                | MUTTER                   | 4                          |
| 92       | 12729600/0        | VITE                   | SCREW               | VIS                  | SCHRAUBE                 | 1                          |
| 93       | 22785113/0        | SUPPORTO MANIGLIA      | HANDLE SUPPORT      | SUPPORT POIGNÉE      | GRIFFHALTER              | 1                          |
| 94       | 12793301/0        | VITE                   | SCREW               | VIS                  | SCHRAUBE                 | 3                          |
| 95       | 12604899/0        | ANELLO ELASTICO        | ELASTIC RING        | ANNEAU ELASTIQUE     | ELASTISCHER RING         | 2                          |
| 96       | 22446180/0        | MOLLA                  | SPRING              | RESSORT              | FEDER                    | 1                          |
| 97       | 25038002/0        | BUSSOLA                | BUSH                | DOUILLE              | BUCHSE                   | 2                          |
| 98       | 22393611/0        | MANIGLIA               | HANDLE              | POIGNÉE              | GRIFF                    | 1                          |
| 99       | 12622640/0        | SPINA                  | PIN                 | GOUPILLE             | STIFT                    | 1                          |
| 100      | 22446175/0        | MOLLA                  | SPRING              | RESSORT              | FEDER                    | 1                          |
| 101      | 22570200/0        | PLACCHETTA POSIZIONI   | POSITION PLATE      | PLAQUETTE REGLAGE    | VERSTELLUNGPLATTE        | 1                          |
| 102      | 12728520/0        | VITE                   | SCREW               | VIS                  | SCHRAUBE                 | 1                          |

**GRUPPO TRAZIONE  
REAR DRIVE  
GROUPE TRACTION  
ANTRIEB**



|     |            |                       |                  |                        |                   |   |
|-----|------------|-----------------------|------------------|------------------------|-------------------|---|
| 121 | 12608600/0 | SEEGER                | SEEGER           | SEEGER                 | SEEGER            | 4 |
| 122 | 22570120/0 | PIGNONE SINISTRO      | LEFT PINION      | PIGNON GAUCHE          | LINKES RITZEL     | 1 |
| 123 | 22120105.1 | CORONA                | RING GEAR        | COURONNE               | KRANZ             | 2 |
| 124 | 81006846/0 | PROTEZIONE RUOTE      | WHEEL GUARD      | PROTECTION ROUE        | RÄDERSCHUTZ       | 2 |
| 125 | 22122200/0 | CUSCINETTO            | BEARING          | ROULEMENT              | KUGELLAGER        | 2 |
| 126 | 12019900/0 | ANELLO OR             | OR RING          | BAGUE OR               | RING OR           | 2 |
| 127 | 81002806/0 | ASSE RUOTE POSTERIORI | REAR WHEELS AXLE | AXE ROUES ARRIERE      | HINTERRADACHSE    | 1 |
| 128 | 22570110/0 | PIGNONE DESTRO        | RIGHT PINION     | PIGNON DROITE          | RECHTES RITZEL    | 1 |
| 129 | 22753000/0 | SPINA                 | PIN              | GOUPILLE               | STIFT             | 2 |
| 130 | 81003070/0 | ASS. GRUPPO TRAZIONE  | REAR DRIVE ASS Y | ENS. GROUPE TRACTION   | ANTRIEBSATZ       | 1 |
| 131 | 22601904/0 | PULEGGIA              | PULLEY           | POULIE                 | RIEMENSCHLEIBE    | 1 |
| 132 | 12645705/0 | SPINA                 | PIN              | GOUPILLE               | STIFT             | 1 |
| 133 | 35064195/0 | CINGHIA Z 33          | BELT Z 33        | COURROIRE Z 33         | RIEMEN Z 33       | 1 |
| 134 | 81001145/0 | ASS. COMANDO TRAZIONE | REAR DRIVE ASS.Y | ENS. COMMANDE TRACTION | ANTRIEBKABEL      | 1 |
| 135 | 22033281/0 | ASTA REGOLAZIONE      | ADJUSTMENT ROD   | TIGE REGLAGE           | VERSTELLUNGSTANGE | 1 |
| 136 | 22041957/0 | BUSSOLA               | BUSH             | DOUILLE                | BUCHSE            | 1 |
| 137 | 22450063/0 | MOLLA                 | SPRING           | RESSORT                | FEDER             | 1 |
| 138 | 22680009/0 | RONDELLA              | WASHER           | RONDELLE               | SCHEIBE           | 1 |
| 139 | 12154510/0 | DADO                  | NUT              | ECROU                  | MUTTER            | 1 |
| 140 | 22110230/0 | TAPPO                 | CAP              | BOUCHON                | GUMMISTOPFEN      | 1 |