

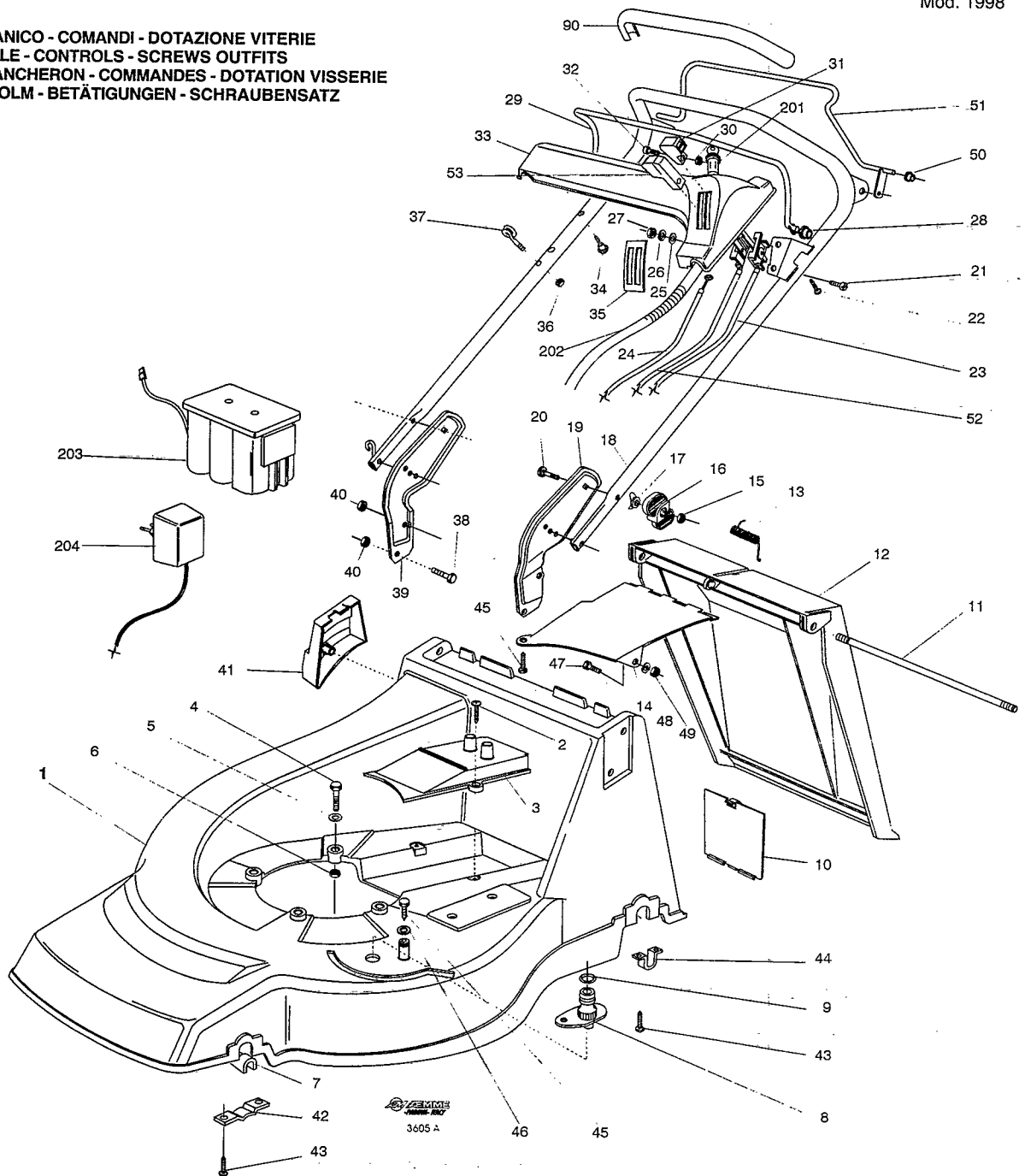
VISTE ESPLOSE  
EXPLODED VIEWS

VUES ECLATEES *Texas*  
SPRENGZEICHNUNGEN

NP 534 TR 3S  
NP 534 TR-E 3S

Mod. 1998

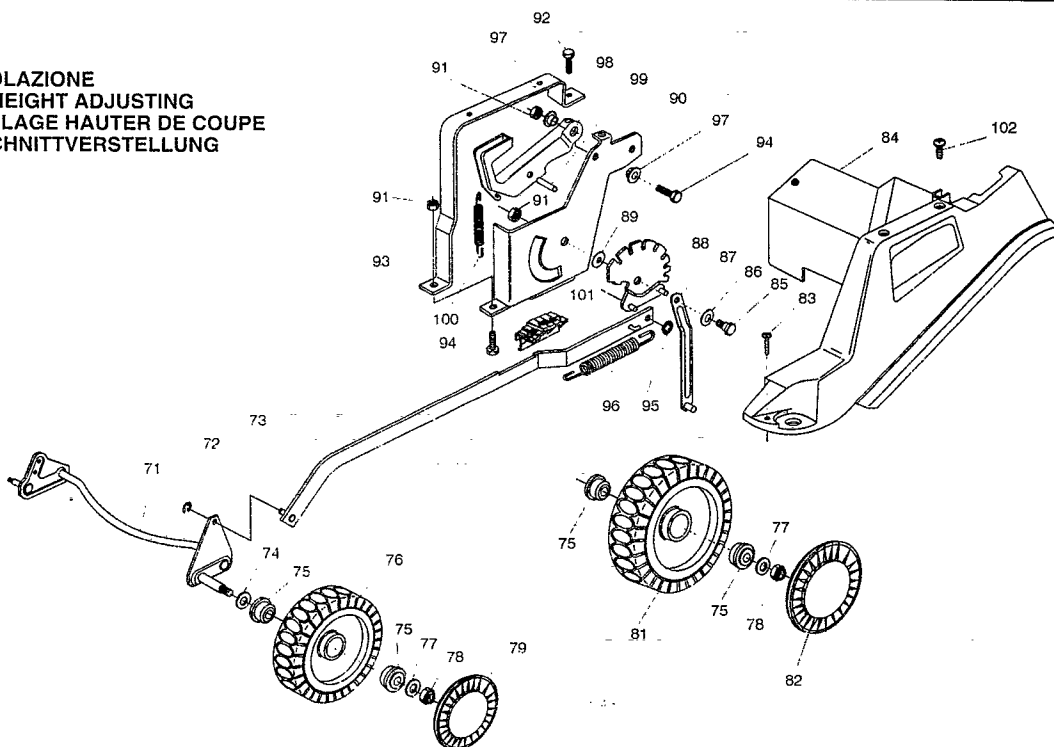
CHASSIS - MANICO - COMANDI - DOTAZIONE VITERIE  
DECK - HANDLE - CONTROLS - SCREWS OUTFITS  
CHÂSSIS - MANCHERON - COMMANDES - DOTATION VISSERIE  
GEHÄUSE - HOLM - BETÄTIGUNGEN - SCHRAUBENSATZ



| Pos. Nr. | Codice Code Kodex | Descrizione            | Description        | Description          | Beschreibung      | Q.tà Q.ty-Q.tè Menge |
|----------|-------------------|------------------------|--------------------|----------------------|-------------------|----------------------|
| 1        | 81001652/0        | CHASSIS ROSSO          | RED DECK           | CHÂSSIS ROUGE        | ROTES GEHÄUSE     | 1                    |
| -        | 81001654/0        | CHASSIS GIALLO         | YELLOW DECK        | CHÂSSIS JAUNE        | GELBES GEHÄUSE    | 1                    |
| -        | 81001656/0        | CHASSIS VERDE          | GREEN DECK         | CHÂSSIS VERT         | GRÜNES GEHÄUSE    | 1                    |
| 2        | 12728522/0        | VITE                   | SCREW              | VIS                  | SCHRAUBE          | 2                    |
| 3        | 22060181/1        | CARTER CINGHIA         | BELT PROTECTION    | PROTECTION COURROIRE | RIEMENSCHUTZ      | 1                    |
| 4        | 12691800/0        | VITE                   | SCREW              | VIS                  | SCHRAUBE          | 3/2                  |
| -        | 12692080/0        | VITE                   | SCREW              | VIS                  | SCHRAUBE          | 0/1                  |
| 5        | 12521350/0        | RONDELLA               | WASHER             | RONDELLE             | SCHEIBE           | 3                    |
| 6        | 12155000/0        | DADO                   | NUT                | ECROU                | MUTTER            | 3                    |
| 7        | 22038400/1        | BRONZINA               | BUSH               | DOUILLE              | BUCHSE            | 2                    |
| 8        | 22034000/0        | ATTACCO ACQUA LAVAGGIO | WASHING CONNECTION | ATTAQUE LAVAGE       | WASCHENVERBINDUNG | 1                    |
| 9        | 19035000/0        | ANELLO OR              | OR RING            | BAGUE OR             | RING OR           | 1                    |
| 10       | 22595352/0        | PORTINA CHIUSURA       | INSPECTION DOOR    | VOYANT DE VISITE     | ABDECK PLATTE     | 1                    |
| 11       | 22517856/0        | PERNO                  | PIN                | PIVOT                | BOLZEN            | 1                    |
| 12       | 22600023/2        | PARASASSI              | STONE-GUARD        | PARE-PIERRES         | PRALLBLECH        | 1                    |
| 13       | 22450270/0        | MOLLA                  | SPRING             | RESSORT              | FEDER             | 1                    |

| Pos. Nr. | Code Code Kodex | Descrizione                              | Description                                | Description                      | Beschreibung<br>Q.ty-Q.tè<br>Menge | Q.tà |
|----------|-----------------|--|--|----------------------------------|------------------------------------|------|
| 14       | 22108205/0      | CONVOGLIATORE                            | CONVEYOR                                   | CONVOYEUR                        | KONVEYOR                           | 1    |
| 15       | 12293200/0      | DADO                                     | NUT  | ECROU                            | MUTTER                             | 2    |
| 16       | 22399803/0      | MANOPOLINA                               | KNOB                                       | POIGNÉE                          | GRIFF                              | 2    |
| 17       | 22680006/1      | RONDELLA                                 | WASHER                                     | RONDELLE                         | SCHEIBE                            | 2    |
| 18       | 81007028/0      | MANICO                                   | HANDLE                                     | MANCHERON                        | HOLM                               | 1    |
| 19       | 22778397/0      | STAFFA SX                                | LEFT BRACKET                               | BRIDGE GAUCHE                    | LINKE PRATZE                       | 1    |
| 20       | 12819120/0      | VITE                                     | SCREW                                      | VIS                              | SCHRAUBE                           | 2    |
| 21       | 12788910/0      | VITE                                     | SCREW                                      | VIS                              | SCHRAUBE                           | 2    |
| 22       | 12728460/0      | VITE                                     | SCREW                                      | VIS                              | SCHRAUBE                           | 1    |
| 23       | 81007091/0      | ACCELERATORE (B&S)                       | TROTTLE (B&S)                              | ACCÉLÉRATEUR (B&S)               | BESCHLEUNIGER (B&S)                | 1    |
| —        | 81007092/0      | ACCELERATORE (TECUMSEH-HONDA)            | TROTTLE (TECUMSEH-HONDA)                   | ACCÉLÉRATEUR (TECUMSEH-HONDA)    | BESCHLEUNIGER (TECUMSEH-HONDA)     | 1    |
| 24       | 81000628/0      | CAVO FRENO MOTORE (HONDA)                | THREAD MOTOR BRAKE (HONDA)                 | CABLE FREIN MOTEUR (HONDA)       | MOTORBREMSEKABEL (HONDA)           | 1    |
| —        | 81000629/1      | CAVO FRENO MOTORE (TECUMSEH)             | THREAD MOTOR BRAKE (TECUMSEH)              | CABLE FREIN MOTEUR (TECUMSEH)    | MOTORBREMSEKABEL (TECUMSEH)        | 1    |
| —        | 81000634/0      | CAVO FRENO MOTORE (B&S)                  | THREAD MOTOR BRAKE (B&S)                   | CABLE FREIN MOTEUR (B&S)         | MOTORBREMSEKABEL (B&S)             | 1    |
| 25       | 12523020/0      | RONDELLA                                 | WASHER                                     | RONDELLE                         | SCHEIBE                            | 2    |
| 26       | 12581500/0      | RONDELLA                                 | WASHER                                     | RONDELLE                         | SCHEIBE                            | 2    |
| 27       | 12291000/0      | DADO                                     | NUT  | ECROU                            | MUTTER                             | 2    |
| 28       | 22041966/0      | BUSSOLA                                  | BUSH                                       | DOUILLE                          | BUCHSE                             | 2    |
| 29       | 81003291/2      | LEVA                                     | LEVÉR                                      | LEVIER                           | HEBEL                              | 1    |
| 30       | 12290800/0      | DADO                                     | NUT  | ECROU                            | MUTTER                             | 2    |
| 31       | 22399801/0      | MANOPOLINA                               | KNOB                                       | POIGNÉE                          | GRIFF                              | 1    |
| 32       | 12726388/0      | VITE                                     | SCREW                                      | VIS                              | SCHRAUBE                           | 2    |
| 33       | 22120150/0      | CRUSCOTTO ROSSO                          | RED DASH-BOARD                             | CONSOLE ROUGE                    | ROTE KONSOLE                       | 1    |
| —        | 22120148/0      | CRUSCOTTO GIALLO                         | YELLOW DASH-BOARD                          | CONSOLE JAUNE                    | GELBE KONSOLE                      | 1    |
| —        | 22120164/0      | CRUSCOTTO NERO                           | BLACK DASH-BOARD                           | CONSOLE NOIRE                    | SCHWARZE KONSOLE                   | 1    |
| 34       | 22943006/0      | VITE                                     | SCREW                                      | VIS                              | SCHRAUBE                           | 1    |
| 35       | 14356797/0      | ETICHETTA (TECUMSEN-HONDA)               | LABEL (TECUMSEN-HONDA)                     | ETIQUETTE (TECUMSEN-HONDA)       | ETIKETTE (TECUMSEN-HONDA)          | 1    |
| —        | 14356795/0      | ETICHETTA (B&S)                          | LABEL (B&S)                                | ETIQUETTE (B&S)                  | ETIKETTE (B&S)                     | 1    |
| 36       | 12154330/0      | DADO                                     | NUT  | ECROU                            | MUTTER                             | 1    |
| 37       | 22430309/0      | MOLLA GUIDA                              | SPRING                                     | RESSORT                          | FEDER                              | 1    |
| 38       | 12793301/0      | VITE                                     | SCREW                                      | VIS                              | SCHRAUBE                           | 2    |
| 39       | 22778396/0      | STAFFA DX                                | RIGHT BRACKET                              | BRIDE DROITE                     | RECHTE PRATZE                      | 1    |
| 40       | 12155000/0      | DADO                                     | NUT  | ECROU                            | MUTTER                             | 1    |
| 41       | 22601001/0      | PROTEZIONE                               | PROTECTION                                 | PROTECTION                       | SCHUTZ                             | 1    |
| 42       | 22545156/0      | PIASTRINA                                | PLATE                                      | PLAQUETTE                        | PLATTE                             | 2    |
| 43       | 12731350/0      | VITE                                     | SCREW                                      | VIS                              | SCHRAUBE                           | 8    |
| 44       | 22545152/0      | PIASTRINA                                | PLATE                                      | PLAQUETTE                        | PLATTE                             | 2    |
| 45       | 12729600/0      | VITE                                     | SCREW                                      | VIS                              | SCHRAUBE                           | 2    |
| 46       | 12523040/0      | RONDELLA                                 | WASHER                                     | RONDELLE                         | SCHEIBE                            | 1    |
| 47       | 12789000/0      | VITE                                     | SCREW                                      | VIS                              | SCHRAUBE                           | 2    |
| 48       | 12523020/0      | RONDELLA                                 | WASHER                                     | RONDELLE                         | SCHEIBE                            | 1    |
| 49       | 12154330/0      | DADO                                     | NUT  | ECROU                            | MUTTER                             | 1    |
| 50       | 22041965/0      | BUSSOLA                                  | BUSH                                       | DOUILLE                          | BUCHSE                             | 2    |
| 51       | 81003288/1      | LEVA TRAZIONE                            | DRIVING LEVER                              | LEVIER TRACTION                  | ANTRIEBHEBEL                       | 1    |
| 52       | 81007099/0      | COMANDO MARCE                            | SPEED DRIVE CONTROL                        | COMM. CHARGEMENT VITESSE         | GÄNGESCHALTUNKABEL                 | 1    |
| 53       | 22399802/0      | MANOPOLINA                               | KNOB                                       | POIGNÉE                          | GRIFF                              | 1    |
| 55       | 22291050/0      | IMPUGNATURA MANICO NERA                  | BLACK HANDGRIP                             | POIGNÉE NOIRE                    | SCHWARZER HANDGRIFF                | 1    |
| —        | 22291051/0      | IMPUGNATURA MANICO ROSSA                 | RED HANDGRIP                               | POIGNÉE ROUGE                    | RÖTER HANDGRIFF                    | 1    |
| —        | 22291052/0      | IMPUGNATURA MANICO GIALLA                | YELLOW HANDGRIP                            | POIGNÉE JAUNE                    | GELBER HANDGRIFF                   | 1    |
|          |                 | <b>Varianti per avviamento elettrico</b> | <b>Parts of electric start électriques</b> | <b>Composants pour démarrage</b> | <b>Elektrostart Bestandteile</b>   |      |
| 201*     | 18450050/0      | INTERRUTTORE                             | SWITCH                                     | INTERRUPTEUR                     | SCHALTER                           | 1    |
| 202*     | 18204190/2      | CAVO AVVIAMENTO                          | START CABLE                                | CABLE DÉMARRAGE                  | START KABEL                        | 1    |
| 203*     | 18120050/0      | BATTERIA                                 | BATTERY 12V-2.5AH                          | BATTERIE 12V-2.5AH               | BATTERIE 12V-2.5AH                 | 1    |
| 204*     | 18204110/0      | CARICABATTERIA                           | BATTERY CHARGER                            | CHARGEUR DE BATTERIE             | LADGERÄT                           | 1    |

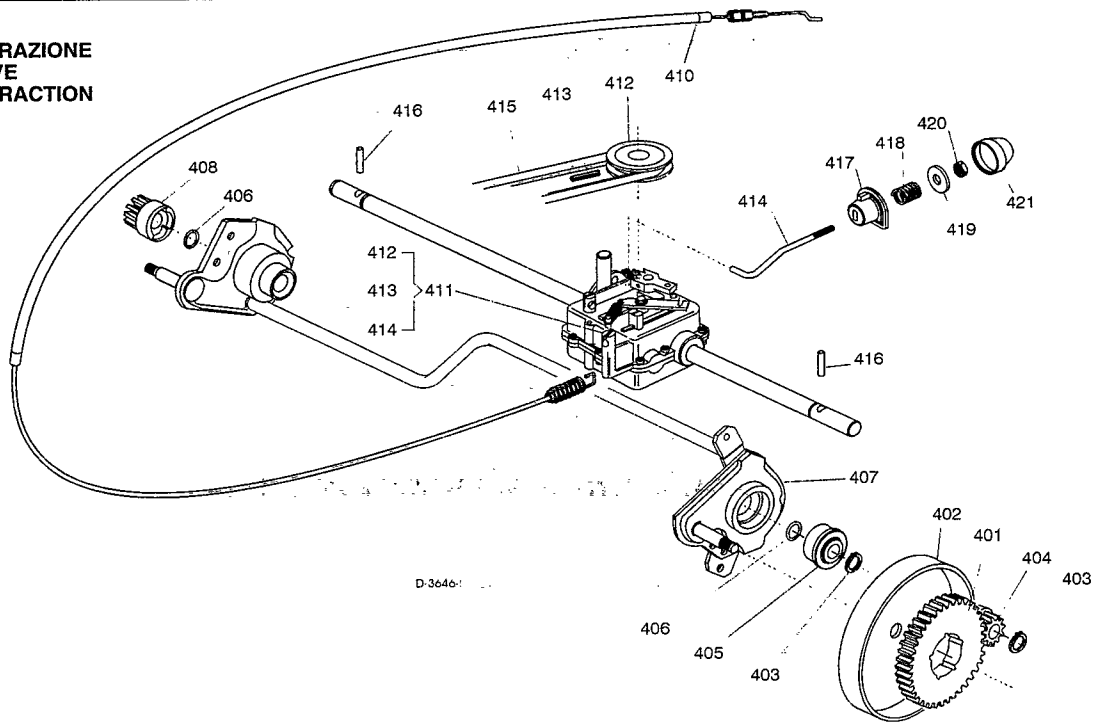
**RUOTE E REGOLAZIONE**  
**WHEELS AND HEIGHT ADJUSTING**  
**ROUES ET REGLAGE HAUTER DE COUPE**  
**RÄDER UND SCHNITTVERSTELLUNG**



DOVENDO SOSTITUIRE IN GARANZIA LE PARTI CONTRASSEGNAE CON \*\*\*, RIVOLGERSI AL COSTRUTTORE DEL MOTORE.  
 IF YOU HAVE TO CHANGE THE PIECES INDICATED WITH \*\*\*, ON WARRANTY YOU ADDRESS TO AFTER SALES SERVICE OF ENGINE MANUFACTURER.  
 SI VOUS DEVEZ SUBSTITUER LES PIÉCESE INDIQUÉES AVEC \*\*\*, SOUS GARANTIE VOUS DEVEZ VOUS ADDRESS AU SERVICE APRÉS VENTES DE LA MAISON CONSTRUCTRICE DU MOTEUR.  
 BITTE WENDEN SIE SICH BEI GARANTIEREPARATUREN DER MIT \*\*\* GEKENNZEICHNETEN TEILE AN DIE KUNDENDIENSTSTELLE DES MOTORHRESTALLER.

| Pos. Nr. | Codice Code Kodex | Descrizione            | Description         | Description          | Beschreibung             | Q.tà<br>Q.ty-Q.tè<br>Menge |
|----------|-------------------|------------------------|---------------------|----------------------|--------------------------|----------------------------|
| 71       | 81002801/0        | ASSE RUOTE ANTERIORI   | FRONT WHEELS AXLE   | AXE ROUES AVANT      | VORDERRADACHSE           | 1                          |
| 72       | 12000930/0        | ANELLO ELASTICO        | ELASTIC RING        | ANNEAU ELASTIQUE     | ELASTISCHER RING         | 2                          |
| 73       | 81001134/0        | ASTA COMANDO           | ADJUSTMENT ROD      | TIGE COMMANDE        | STELLSTAB                | 1                          |
| 74       | 12530150/0        | RONDELLA ELASTICA      | ELASTIC WASHER      | RONDELLE ELASTIQUE   | ELASTISCHE SCHEIBE       | 2                          |
| 75       | 22122200/0        | CUSCINETTO             | BEARING             | COUSSINET            | KUGELLAGER               | 8                          |
| 76       | 81007317/0        | RUOTA SCOLPITA Ø 170   | KNOBBLY WHEEL Ø 170 | ROUE SCULPTEE Ø 170  | RAD. M. STOLLENPR. Ø 170 | 2                          |
| 77       | 12521350/0        | RONDELLA               | WASHER              | RONDELLE             | SCHEIBE                  | 4                          |
| 78       | 12155000/0        | DADO                   | NUT                 | ECROU                | MUTTER                   | 4                          |
| 79       | 22110282/0        | COPRIMOZZO BIANCO      | WHITE HUB CAP       | COUVRE-MOYEU BLANC   | WEIÙE RADKAPPE           | 2                          |
| -        | 22110288/0        | COPRIMOZZO GIALLO      | YELLOW HUB CAP      | COUVRE-MOYEU JAUNE   | GELBE RADKAPPE           | 2                          |
| -        | 22110290/1        | COPRIMOZZO ROSSO       | RED HUB CAP         | COUVRE-MOYEU ROUGE   | ROTE RADKAPPE            | 2                          |
| 81       | 81007318/1        | RUOTA SCOLPITA Ø 210   | KNOBBLY WHEEL Ø 210 | ROUE SCULPTEE Ø 210  | RAD. M. STOLLENPR. Ø 210 | 2                          |
| 82       | 22110281/0        | COPRIMOZZO BIANCO      | WHITE HUB CAP       | COUVRE-MOYEU BLANC   | WEIÙE RADKAPPE           | 2                          |
| -        | 22110287/0        | COPRIMOZZO GIALLO      | YELLOW HUB CAP      | COUVRE-MOYEU JAUNE   | GELBE RADKAPPE           | 2                          |
| -        | 22110289/0        | COPRIMOZZO ROSSO       | RED HUB CAP         | COUVRE-MOYEU ROUGE   | ROTE RADKAPPE            | 2                          |
| 83       | 12728519/0        | VITE                   | SCREW               | VIS                  | SCHRAUBE                 | 3                          |
| 84       | 22060144/0        | CARTER REGOLAZIONE     | ADJUSTMENT DECK     | CHÁSSIS REGLAGE      | VERSTELLUNGSGEHÁUSE      | 1                          |
| 85       | 22529662/0        | PERNO FULCRO           | FULCRUM PIN         | PIVOT                | BOLZEN                   | 1                          |
| 86       | 22672151/0        | RONDELLA               | WASHER              | RONDELLE             | SCHEIBE                  | 1                          |
| 87       | 81001269/0        | ASTA ASSE POSTERIORE   | ROD REAR AXLE       | BARRE AXE POSTERIEUR | HINTERACHSESTAB          | 1                          |
| 88       | 81000479/0        | SETTORE DI REGOLAZIONE | ADJUSTMENT SECTOR   | SECTEUR REGLAGE      | VERSTELLUNGSEKTOR        | 1                          |
| 89       | 22672152/0        | RONDELLA               | WASHER              | RONDELLE             | SCHEIBE                  | 1                          |
| 90       | 22785109/0        | SUPPORTO REGOLAZIONE   | SUPPORT             | SUPPORT REGLAGE      | VERSTELLUNGHALTER        | 1                          |
| 91       | 12293201/0        | DADO                   | NUT                 | ECROU                | MUTTER                   | 4                          |
| 92       | 12729600/0        | VITE                   | SCREW               | VIS                  | SCHRAUBE                 | 1                          |
| 93       | 22785113/0        | SUPPORTO MANIGLIA      | HANDLE SUPPORT      | SUPPORT POIGNÉE      | GRIFFHALTER              | 1                          |
| 94       | 12793301/0        | VITE                   | SCREW               | VIS                  | SCHRAUBE                 | 3                          |
| 95       | 12604899/0        | ANELLO ELASTICO        | ELASTIC RING        | ANNEAU ELASTIQUE     | ELASTISCHER RING         | 2                          |
| 96       | 22446180/0        | MOLLA                  | SPRING              | RESSORT              | FEDER                    | 1                          |
| 97       | 25038002/0        | BUSSOLA                | BUSH                | DOUILLE              | BUCHSE                   | 2                          |
| 98       | 22393611/1        | MANIGLIA               | HANDLE              | POIGNÉE              | GRIFF                    | 1                          |
| 99       | 12622640/0        | SPINA                  | PIN                 | GOUPILLE             | STIFT                    | 1                          |
| 100      | 22446175/0        | MOLLA                  | SPRING              | RESSORT              | FEDER                    | 1                          |
| 101      | 22570200/0        | PLACCHETTA POSIZIONI   | POSITION PLATE      | PLAQUETTE REGLAGE    | VERSTELLUNGPLATTE        | 1                          |
| 102      | 12728520/0        | VITE                   | SCREW               | VIS                  | SCHRAUBE                 | 1                          |

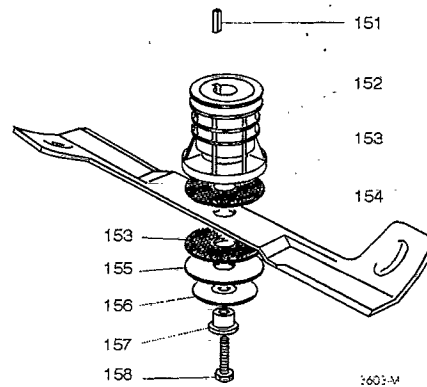
**GRUPPO TRAZIONE  
REAR DRIVE  
GROUPE TRACTION  
ANTRIEB**



|     |            |                       |                  |                        |                   |   |
|-----|------------|-----------------------|------------------|------------------------|-------------------|---|
| 402 | 81006846/0 | PROTEZIONE RUOTE      | WHEEL GUARD      | PROTECTION ROUE        | RÁDERSCHUTZ       | 2 |
| 403 | 12608600/0 | SEEGER                | SEEGER           | SEEGER                 | SEEGER            | 4 |
| 404 | 22570120/0 | PIGNONE SINISTRO      | LEFT PINION      | PIGNON GAUCHE          | LINKES RITZEL     | 1 |
| 405 | 22122200/0 | CUSCINETTO            | BEARING          | ROULEMENT              | KUGELLAGER        | 2 |
| 406 | 12019900/0 | ANELLO OR             | OR RING          | BAGUE OR               | RING OR           | 2 |
| 407 | 81002808/0 | ASSE RUOTE POSTERIORI | REAR WHEELS AXLE | AXE ROUES ARRIERE      | HINTERRADACHSE    | 1 |
| 408 | 22570110/0 | PIGNONE DESTRO        | RIGHT PINION     | PIGNON DROITE          | RECHTES RITZEL    | 1 |
| 410 | 81001145/0 | ASS. COMANDO TRAZIONE | REAR DRIVE ASS.Y | ENS. COMMANDE TRACTION | ANTRIEBKABEL      | 1 |
| 411 | 81008984/0 | ASS. GRUPPO TRAZIONE  | REAR DRIVE ASS.Y | ENS. GROUPE TRACTION   | ANTRIEBSATZ       | 1 |
| 412 | 22601904/0 | PULEGGIA              | PULLEY           | POULIE                 | RIEMENSCHLEIBE    | 1 |
| 413 | 12645705/0 | SPINA                 | PIN              | GOUPILLE               | STIFT             | 1 |
| 414 | 22033281/0 | ASTA REGOLAZIONE      | ADJUSTMENT ROD   | TIGE REGLAGE           | VERSTELLUNGSTANGE | 1 |
| 415 | 35064195/0 | CINGHIA Z 33          | BELT Z 33        | COURROIRE Z 33         | RIEMEN Z 33       | 1 |
| 416 | 22753000/0 | SPINA                 | PIN              | GOUPILLE               | STIFT             | 2 |
| 417 | 22041957/0 | BUSSOLA               | BUSH             | DOUILLE                | BUCHSE            | 1 |
| 418 | 22450063/0 | MOLLA                 | SPRING           | RESSORT                | FEDER             | 1 |
| 419 | 22680009/0 | RONDELLA              | WASHER           | RONDELLE               | SCHEIBE           | 1 |

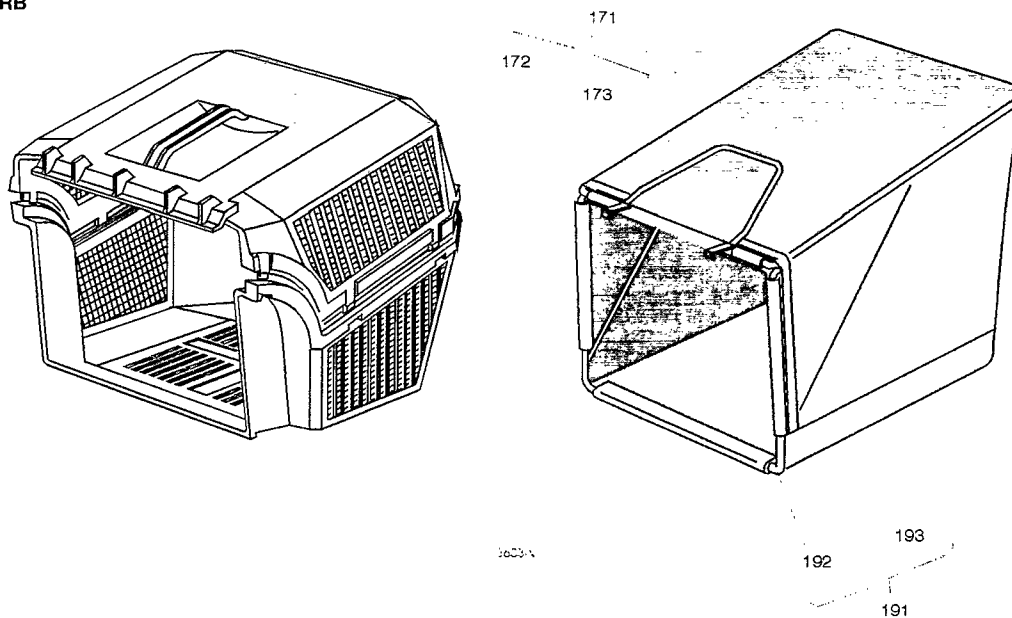
| Pos. Nr. | Codice Code Kodex | Descrizione Description | Description | Beschreibung | Q.tà Q.ty-Q.tè Menge |
|----------|-------------------|-------------------------|-------------|--------------|----------------------|
| 420      | 12154510/0        | DADO                    | NUT         | ECROU        | 1                    |
| 421      | 22110230/0        | TAPPO                   | CAP         | BOUCHON      | 1                    |
|          |                   |                         |             | MUTTER       |                      |
|          |                   |                         |             | GUMMISTOPFEN |                      |

**GRUPPO COLTELLO  
BLADE ASS.Y  
GROUPE LAME  
MESSERSATZ**



|     |            |                   |               |                   |                  |   |
|-----|------------|-------------------|---------------|-------------------|------------------|---|
| 151 | 12139100/0 | LINGUETTA         | FEATHER       | CLAVETTE          | KEIL             |   |
| 152 | 22465611/0 | MOZZO             | HUB           | MOYEU             | NABE             | 2 |
| 153 | 22672110/1 | RONDELLA FRIZIONE | CLUTCH WASHER | RONDELLE FRICTION | KUPPLUNGSSCHEIBE | 1 |
| 154 | 81004398/0 | COLTELLO          | BLADE         | LAME              | MESSER           | 1 |
| 155 | 12508120/0 | MOLLA A TAZZA     | CUPPED SPRING | RESSORT           | TELLER FEDER     | 1 |
| 156 | 22672105/0 | RONDELLA          | WASHER        | RONDELLE          | SCHEIBE          | 1 |
| 157 | 22041940/0 | BUSSOLA FRIZIONE  | CLUTCH BUSH   | DOUILLE FRICTION  | KUPPLUNGSSCHEIBE | 1 |
| 158 | 12736825/0 | VITE              | SCREW         | VIS               | SCHRAUBE         | 1 |

**SACCO RACCOGLIERBA  
GRASS-CATCHER  
BAC DE RAMASSAGE  
GRASFANGKORB**



|     |            |                     |                            |                       |                 |   |
|-----|------------|---------------------|----------------------------|-----------------------|-----------------|---|
| 171 | 96500000/0 | SACCO COMPLETO      | COMPLETE GRASS-BOX         | BAC COMPLETE          | KOMPLETER KORB  | 1 |
| 172 | 22486065/0 | PARTE SUPER. SACCO  | UPPER GRASS-BOX            | PARTE SUPERIEURE SAC  | OBERKORB        | 1 |
| 173 | 22486064/0 | PARTE INFER. SACCO  | LOWER GRASS-BOX            | PARTE INFERIEURE SAC  | UNTERKORB       | 1 |
| 191 | 96400000/0 | ASS. SACCO TELA     | CANVASS GRASSCATCHER ASS.Y | ENSEMBLE SAC EN TOILE | KOMPLETTER SACK | 1 |
| 192 | 81006430/0 | TELAIO              | CHASSIS                    | CHASSIS               | RAHMEN          | 1 |
| 193 | 81002124/1 | TELA SACCO          | FABRIC BOX                 | TOILE POUR SAC        | TUCK FÜR SACK   | 1 |
| -   | 81008610/0 | DOTAZIONE VITERIA   | SCREWS OUTFIT              | DOTATION VISSERIE     | SCHRAUBEN SATZ  | 1 |
| -   | 81008498/0 | DOTAZIONE CRUSCOTTO | DASH BOARD OUTFIT          | DOTATION CONSOLE      | KONSOLE SATZ    |   |