

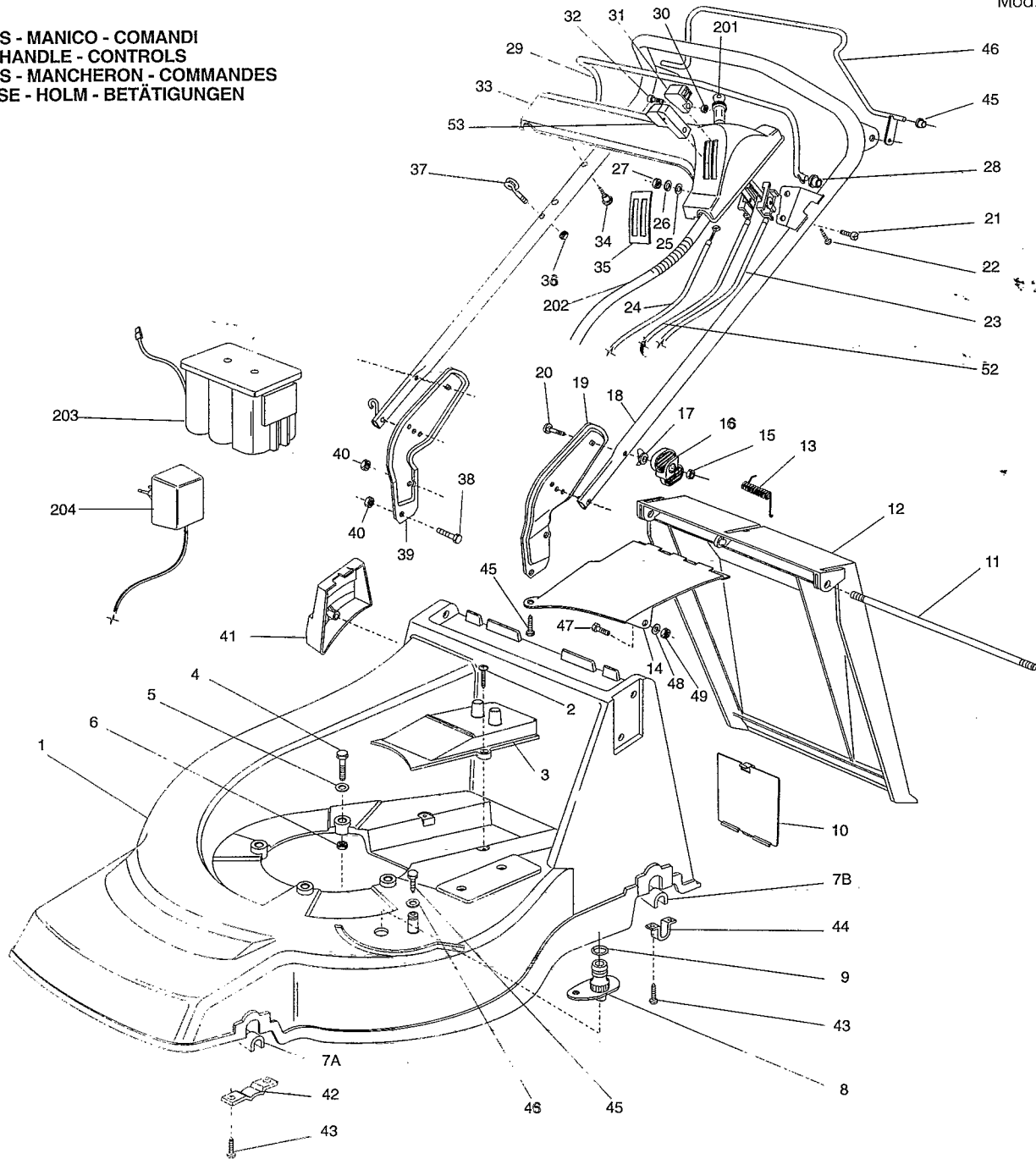
VISTE ESPLOSE  
EXPLODED VIEWS

VUES ECLATEES  
SPRENGZEICHNUNGEN

NP 534 TR 3S  
NP 534 TR-E 3S

Mod. 1996

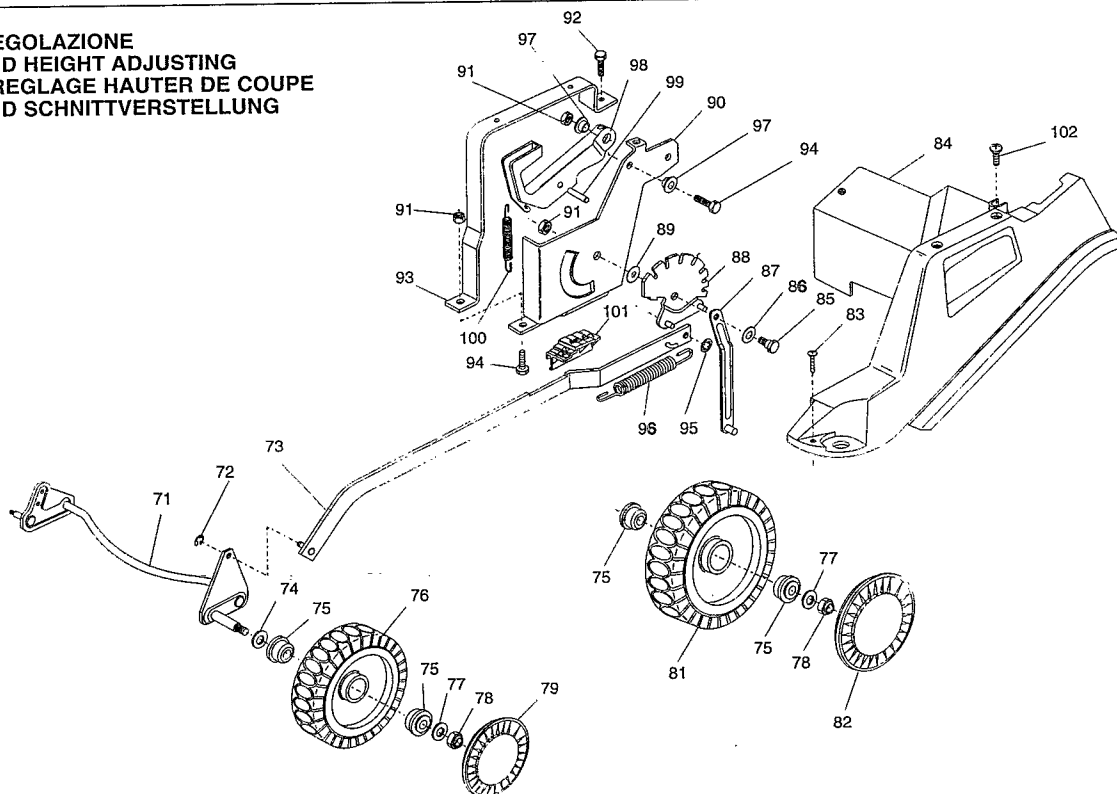
CHASSIS - MANICO - COMANDI  
DECK - HANDLE - CONTROLS  
CHASSIS - MANCHERON - COMMANDES  
GEHÄUSE - HOLM - BETÄTIGUNGEN



| Pos. Nr. | Codice Code Kodex | Descrizione            | Description        | Description      | Beschreibung      | Q.tà Q.ty-Q.tè Menge |
|----------|-------------------|------------------------|--------------------|------------------|-------------------|----------------------|
| 1        | 81000301/0        | CHASSIS ROSSO          | RED DECK           | CHASSIS ROUGE    | GEHÄUSE ROT       | 1                    |
| -        | 81000304/0        | CHASSIS GIALLO         | YELLOW DECK        | CHASSIS JAUNE    | GEHÄUSE GELB      | 1                    |
| -        | 81000306/0        | CHASSIS VERDE          | GREEN DECK         | CHASSIS VERT     | GEHÄUSE GRÜN      | 1                    |
| 2        | 12728522/0        | VITE                   | SCREW              | VIS              | SCHRAUBE          | 2                    |
| 3        | 22060181/0        | CARTER                 | DECK               | CHASSIS          | GEHÄUSE           | 1                    |
| 4        | 12691800/0        | VITE                   | SCREW              | VIS              | SCHRAUBE          | 3/2                  |
| -        | 12692080/0        | VITE                   | SCREW              | VIS              | SCHRAUBE          | 0/1                  |
| 5        | 12521350/0        | RONDELLA               | WASHER             | RONDELLE         | SCHEIBE           | 3                    |
| 6        | 12155000/0        | DADO                   | NUT                | ECROU            | MUTTER            | 3                    |
| 7A       | 22038400/0        | BRONZINA               | BUSH               | DOUILLE          | BUCHSE            | 2                    |
| 7B       | 22038399/0        | BRONZINA               | BUSH               | DOUILLE          | BUCHSE            | 2                    |
| 8        | 22034000/0        | ATTACCO ACQUA LAVAGGIO | WASHING CONNECTION | ATTAQUE LAVAGE   | WASCHENVERBINDUNG | 1                    |
| 9        | 19035000/0        | ANELLO OR              | OR RING            | BAGUE OR         | RING OR           | 1                    |
| 10       | 22595352/0        | PORTINA CHIUSURA       | INSPECTION DOOR    | VOYANT DE VISITE | ABDECK PLATTE     | 1                    |
| 11       | 22517856/0        | PERNO                  | PIN                | PIVOT            | BOLZEN            | 1                    |
| 12       | 22600023/2        | PARASASSI              | STONE-GUARD        | PARE-PIERRES     | PRALLBLECH        | 1                    |
| 13       | 22450270/0        | MOLLA                  | SPRING             | RESSORT          | FEDER             | 1                    |

| Pos. Nr. | Codice Code Kodex | Descrizione                              | Description                    | Description                                 | Beschreibung                     | Q.tà Q.ty-Q.tè Menge |
|----------|-------------------|--|--------------------------------|---|----------------------------------|----------------------|
| 14       | 22108205/0        | CONVOGLIATORE                            | CONVEYOR                       | CONVOYEUR                                   | KONVEYOR                         | 1                    |
| 15       | 12293200/0        | DADO                                     | NUT                            | ECROU                                       | MUTTER                           | 2                    |
| 16       | 22399803/0        | MANOPOLINA                               | KNOB                           | POIGNÉE                                     | GRIFF                            | 2                    |
| 17       | 22680006/1        | RONDELLA                                 | WASHER                         | RONDELLE                                    | SCHLEIBE                         | 2                    |
| 18       | 81007012/0        | MANICO                                   | HANDLE                         | MANCHERON                                   | HOLM                             | 1                    |
| 19       | 22778397/0        | STAFFA SX                                | LEFT BRACKET                   | BRIDGE GAUCHE                               | LINKE PRATZE                     | 1                    |
| 20       | 12819120/0        | VITE                                     | SCREW                          | VIS   | SCHRAUBE                         | 2                    |
| 21       | 12788910/0        | VITE                                     | SCREW                          | VIS   | SCHRAUBE                         | 2                    |
| 22       | 12728460/0        | VITE                                     | SCREW                          | VIS   | SCHRAUBE                         | 1                    |
| 23       | 81007091/0        | ACCELERATORE (B&S)                       | TROTTLE (B&S)                  | ACCELERATEUR (B&S)                          | BESCHLEUNIGER (B&S)              | 1                    |
| -        | 81007092/0        | ACCELERATORE (TECUMSEH-HONDA)            | TROTTLE (TECUMSEH-HONDA)       | ACCELERATEUR (TECUMSEH-HONDA)               | BESCHLEUNIGER (TECUMSEH-HONDA)   | 1                    |
| 24       | 81000628/0        | CAVO FRENO MOTORE (HONDA)                | THREAD MOTOR BRAKE (HONDA)     | CABLE FREIN MOTEUR (HONDA)                  | MOTORBREMSEKABEL (HONDA)         | 1                    |
| -        | 81000629/1        | CAVO FRENO MOTORE (TECUMSEH)             | THREAD MOTOR BRAKE (TECUMSEH)  | CABLE FREIN MOTEUR (TECUMSEH)               | MOTORBREMSEKABEL (TECUMSEH)      | 1                    |
| -        | 81000634/0        | CAVO FRENO MOTORE (B&S)                  | THREAD MOTOR BRAKE (B&S)       | CABLE FREIN MOTEUR (B&S)                    | MOTORBREMSEKABEL (B&S)           | 1                    |
| 25       | 12523020/0        | RONDELLA                                 | WASHER                         | RONDELLE                                    | SCHLEIBE                         | 2                    |
| 26       | 12581500/0        | RONDELLA                                 | WASHER                         | RONDELLE                                    | SCHLEIBE                         | 2                    |
| 27       | 12291000/0        | DADO                                     | NUT                            | ECROU                                       | MUTTER                           | 2                    |
| 28       | 22041966/0        | BUSSOLA                                  | BUSH                           | DOUILLE                                     | BUCHSE                           | 2                    |
| 29       | 81003289/0        | LEVA                                     | LEVER                          | LEVIER                                      | HEBEL                            | 1                    |
| 30       | 12290800/0        | DADO                                     | NUT                            | ECROU                                       | MUTTER                           | 2                    |
| 31       | 22399801/0        | MANOPOLINA                               | KNOB                           | POIGNÉE                                     | GRIFF                            | 1                    |
| 32       | 12726388/0        | VITE                                     | SCREW                          | VIS   | SCHRAUBE                         | 2                    |
| 33       | 22120150/0        | CRUSCOTTO ROSSO                          | RED DASH-BOARD                 | CONSOLE ROUGE                               | KONSOLE ROT                      | 1                    |
| -        | 22120148/0        | CRUSCOTTO GIALLO                         | YELLOW DASH-BOARD              | CONSOLE JAUNE                               | KONSOLE GELB                     | 1                    |
| -        | 22120164/0        | CRUSCOTTO NERO                           | BLACK DASH-BOARD               | CONSOLE NOIRE                               | KONSOLE SCHWARZ                  | 1                    |
| 34       | 22943006/0        | VITE                                     | SCREW                          | VIS   | SCHRAUBE                         | 1                    |
| 35       | 14356797/0        | ETICHETTA (TECUMSEN-HONDA)               | LEBEL (TECUMSEN-HONDA)         | ETIQUETTE (TECUMSEN-HONDA)                  | ETIKETTE (TECUMSEN-HONDA)        | 1                    |
| -        | 14356795/0        | ETICHETTA (B&S)                          | LABEL (B&S)                    | ETIQUETTE (B&S)                             | ETIKETTE (B&S)                   | 1                    |
| 36       | 12154330/0        | DADO                                     | NUT                            | ECROU                                       | MUTTER                           | 1                    |
| 37       | 22430309/0        | MOLLA GUIDA                              | SPRING                         | RESSORT                                     | FEDER                            | 1                    |
| 38       | 12793301/0        | VITE                                     | SCREW                          | VIS   | SCHRAUBE                         | 2                    |
| 39       | 22778396/0        | STAFFA DX                                | RIGHT BRACKET                  | BRIDE DROITE                                | RECHTE PRATZE                    | 1                    |
| 40       | 12155000/0        | DADO                                     | NUT                            | ECROU                                       | MUTTER                           | 2                    |
| 41       | 22601001/0        | PROTEZIONE                               | PROTECTION                     | PROTECTION                                  | SCHUTZ                           | 1                    |
| 42       | 22545156/0        | PIASTRINA                                | PLATE                          | PLAQUETTE                                   | PLATTE                           | 2                    |
| 43       | 12731350/0        | VITE                                     | SCREW                          | VIS   | SCHRAUBE                         | 8                    |
| 44       | 22545152/0        | PIASTRINA                                | PLATE                          | PLAQUETTE                                   | PLATTE                           | 2                    |
| 45       | 12729600/0        | VITE                                     | SCREW                          | VIS   | SCHRAUBE                         | 2                    |
| 46       | 12523040/0        | RONDELLA                                 | WASHER                         | RONDELLE                                    | SCHLEIBE                         | 1                    |
| 47       | 12789000/0        | VITE                                     | SCREW                          | VIS   | SCHRAUBE                         | 2                    |
| 48       | 12523020/0        | RONDELLA                                 | WASHER                         | RONDELLE                                    | SCHLEIBE                         | 1                    |
| 49       | 12154330/0        | DADO                                     | NUT                            | ECROU                                       | MUTTER                           | 1                    |
| 50       | 22041966/0        | BUSSOLA                                  | BUSH                           | DOUILLE                                     | BUCHSE                           | 2                    |
| 51       | 81003288/0        | LEVA TRAZIONE                            | DRIVING LEVER                  | LEVIER TRACTION                             | ANTRIEBHEBEL                     | 1                    |
| 52       | 81007099/0        | COMANDO MARCE                            | SPEED DRIVE CONTROL            | COMM. CHARGEMENT VITESSE                    | GÄNGSCHALTUNKABEL                | 1                    |
| 53       | 22399802/0        | MANOPOLINA                               | KNOB                           | POIGNÉE                                     | GRIFF                            | 1                    |
|          |                   | <b>Varianti per avviamento elettrico</b> | <b>Parts of electric start</b> | <b>Composants pour démarrage électrique</b> | <b>Elektrostart Bestandteile</b> |                      |
| 201*     | 18450050/0        | INTERRUTTORE                             | SWITCH                         | INTERRUPTEUR                                | SCHALTER                         | 1                    |
| 202*     | 18204190/1        | CAVO AVVIAMENTO                          | CABLES UNIT                    | ENS CABLAGE                                 | KABEL                            | 1                    |
| 203*     | 18120050/0        | BATTERIA                                 | BATTERY 12V-2.5AH              | BATTERIE 12V-2.5AH                          | BATTERIE 12V-2.5AH               | 1                    |
| 204*     | 18204110/0        | CARICABATTERIA                           | BATTERY CHARGER                | CHARGEUR DE BATTERIE                        | LADGERAET                        | 1                    |

**RUOTE E REGOLAZIONE**  
**WHEELS AND HEIGHT ADJUSTING**  
**ROUES ET REGLAGE HAUTER DE COUPE**  
**RAEDER UND SCHNITTVERSTELLUNG**



Dovendo sostituire in garanzia le parti contrassegnate con \* rivolgersi al costruttore del motore

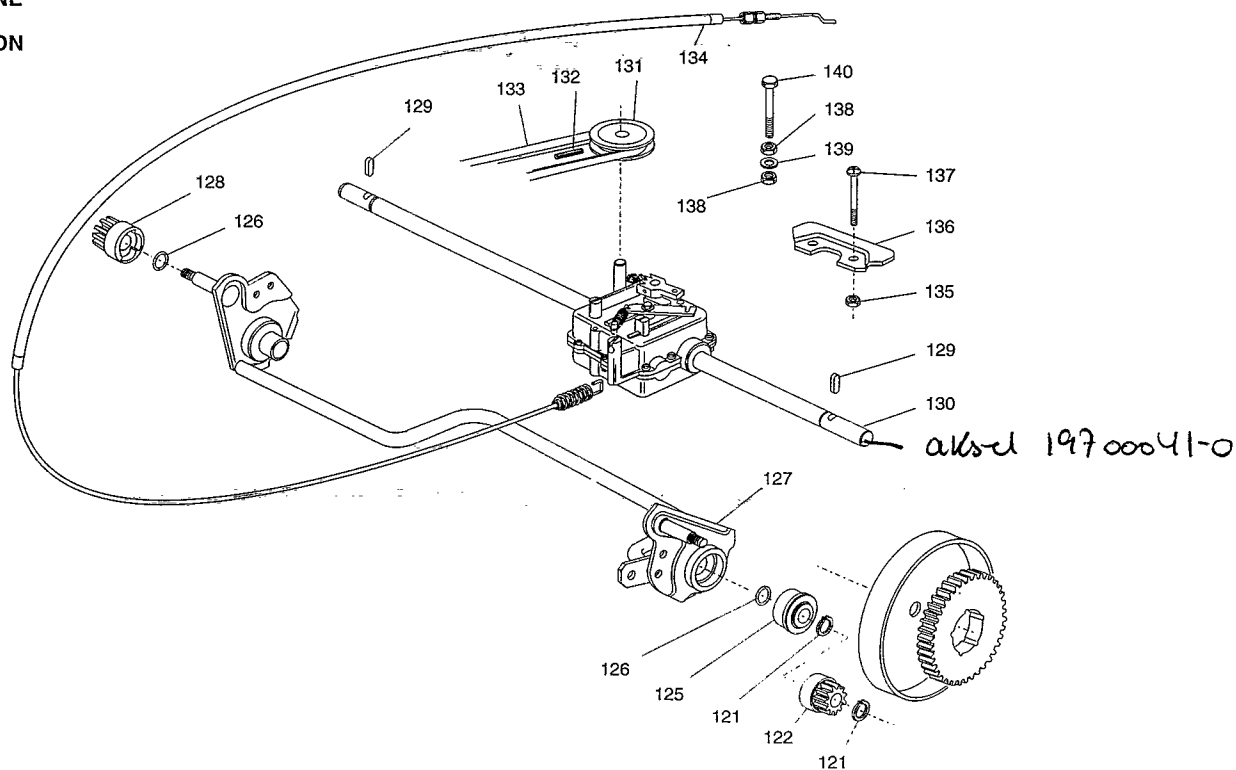
If you have to change the pieces indicated with \* on warranty you adress to after sales service of Engine Manufacturer

Si vous devez substituer les pièces indiquées avec \* sous garantie vous devez vous adresser au service après ventes de la Mainson Constructrice du moteur

Bitte wenden sie sich bei Garantierparaturen der mit \* gekennzeichneten Teile an die Kundenienststelle des Motorhersteller

| Pos. Nr. | Codice Code Kodex | Descrizione            | Description         | Description          | Beschreibung             | Q.tà<br>Q.ty-Q.té<br>Menge |
|----------|-------------------|------------------------|---------------------|----------------------|--------------------------|----------------------------|
| 71       | 81002801/0        | ASSE RUOTE ANTERIORI   | FRONT WHEELS AXLE   | AXE ROUES AVANT      | VORDERRADACHSE           | 1                          |
| 72       | 12000930/0        | ANELLO ELASTICO        | ELASTIC RING        | ANNEAU ELASTIQUE     | ELASTISCHER RING         | 2                          |
| 73       | 81001134/0        | ASTA COMANDO           | ADJUSTMENT ROD      | TIGE COMMANDE        | STELLSTAB                | 1                          |
| 74       | 12530150/0        | RONDELLA ELASTICA      | ELASTIC WASHER      | RONDELLE ELASTIQUE   | ELASTISCHE SCHEIBE       | 2                          |
| 75       | 22122200/0        | CUSCINETTO             | BEARING             | COUSSINET            | KUGELLAGER               | 8                          |
| 76       | 81007317/0        | RUOTA SCOLPITA Ø 170   | KNOBBLY WHEEL Ø 170 | ROUE SCULPTEE Ø 170  | RAD. M. STOLLENPR. Ø 170 | 2                          |
| 77       | 12521350/0        | RONDELLA               | WASHER              | RONDELLE             | SCHEIBE                  | 4                          |
| 78       | 12155000/0        | DADO                   | NUT                 | ECROU                | MUTTER                   | 4                          |
| 79       | 22110281/0        | COPRIMOZZO BIANCO      | WHITE HUB CAP       | COUVRE-MOYEU BLANCHE | WEISSE RADKAPPE          | 2                          |
| -        | 22110282/0        | COPRIMOZZO GIALLO      | YELLOW HUB CAP      | COUVRE-MOYEU JAUNE   | GELBE RADKAPPE           | 2                          |
| 81       | 81007318/0        | RUOTA SCOLPITA Ø 210   | KNOBBLY WHEEL Ø 210 | ROUE SCULPTEE Ø 210  | RAD. M. STOLLENPR. Ø 210 | 2                          |
| 82       | 22110281/0        | COPRIMOZZO BIANCO      | WHITE HUB CAP       | COUVRE-MOYEU BLANCHE | WEISSE RADKAPPE          | 2                          |
| -        | 22110287/0        | COPRIMOZZO GIALLO      | YELLOW HUB CAP      | COUVRE-MOYEU JAUNE   | GELBE RADKAPPE           | 2                          |
| 83       | 12728519/0        | VITE                   | SCREW               | VIS                  | SCHRAUBE                 | 3                          |
| 84       | 22060144/0        | CARTER REGOLAZIONE     | DECK                | CHASSIS              | VERSTELLUNGSGEHÄUSE      | 1                          |
| 85       | 22529662/0        | PERNO FULCRO           | FULCRUM PIN         | PIVOT                | BOLZEN                   | 1                          |
| 86       | 22672151/0        | RONDELLA               | WASHER              | RONDELLE             | SCHEIBE                  | 1                          |
| 87       | 81001269/0        | ASTA ASSE POSTERIORE   | ROD REAR AXLE       | BARRE AXE POSTERIEUR | HINTERACHSESTAB          | 1                          |
| 88       | 81000479/0        | SETTORE DI REGOLAZIONE | ADJUSTMENT SECTOR   | SECTEUR REGLAGE      | VERSTELLUNGSEKTOR        | 1                          |
| 89       | 22672152/0        | RONDELLA               | WASHER              | RONDELLE             | SCHEIBE                  | 1                          |
| 90       | 22785109/0        | SUPPORTO REGOLAZIONE   | SUPPORT             | SUPPORT REGLAGE      | VERSTELLUNGSHALTER       | 1                          |
| 91       | 12293201/0        | DADO                   | NUT                 | ECROU                | MUTTER                   | 4                          |
| 92       | 12729600/0        | VITE                   | SCREW               | VIS                  | SCHRAUBE                 | 1                          |
| 93       | 22785113/0        | SUPPORTO MANIGLIA      | HANDLE SUPPORT      | SUPPORT POIGNÉE      | GRIFFHALTER              | 1                          |
| 94       | 12793301/0        | VITE                   | SCREW               | VIS                  | SCHRAUBE                 | 3                          |
| 95       | 12604899/0        | ANELLO ELASTICO        | ELASTIC RING        | ANNEAU ELASTIQUE     | ELASTISCHER RING         | 2                          |
| 96       | 22446180/0        | MOLLA                  | SPRING              | RESSORT              | FEDER                    | 1                          |
| 97       | 25038002/0        | BUSSOLA                | BUSH                | DOUILLE              | BUCHSE                   | 2                          |
| 98       | 22393611/0        | MANIGLIA               | HANDLE              | POIGNÉE              | GRIFF                    | 1                          |
| 99       | 12622640/0        | SPINA                  | PIN                 | GOUPILLE             | STIFT                    | 1                          |
| 100      | 22446175/0        | MOLLA                  | SPRING              | RESSORT              | FEDER                    | 1                          |
| 101      | 22570200/0        | PLACCHETTA POSIZIONI   | POSITION PLATE      | PLAQUETTE REGLAGE    | VERSTELLUNGSPLATTE       | 1                          |

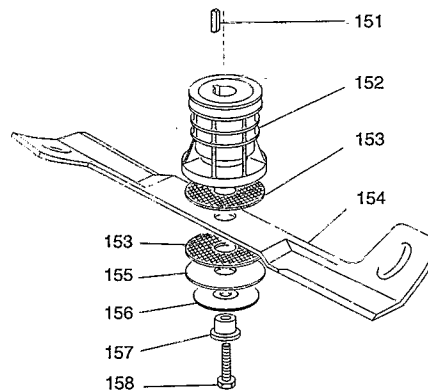
**GRUPPO TRAZIONE  
REAR DRIVE  
GROUPE TRACTION  
ANTRIEB**



|     |            |                         |                  |                   |                   |   |
|-----|------------|-------------------------|------------------|-------------------|-------------------|---|
| 121 | 12608600/0 | SEEGER                  | SEEGER           | SEEGER            | SEEGER            | 4 |
| 122 | 22570120/0 | PIGNONE SINISTRO        | LEFT PINION      | PIGNON GAUCHE     | RECHT RITZEL      | 1 |
| 123 | 22120105/1 | CORONA                  | RING GEAR        | COURONNE          | KRANZ             | 2 |
| 124 | 81006846/0 | PROTEZIONE RUOTE        | WHEEL GUARD      | PROTECTION ROUE   | RAEDERSCHUTZ      | 2 |
| 125 | 22122200/0 | CUSCINETTO              | BEARING          | ROULEMENT         | KUGELLAGER        | 2 |
| 126 | 12019900/0 | ANELLO OR               | OR RING          | BAGUE OR          | RING OR           | 2 |
| 127 | 81002808/0 | ASSE RUOTE POSTERIORI   | REAR WHEELS AXLE | AXE ROUES ARRIERE | HINTERRADER ACHSE | 1 |
| 128 | 22570110/0 | PIGNONE DESTRO          | RIGHT PINION     | PIGNON DROITE     | LINCHT RITZEL     | 1 |
| 129 | 22328600/1 | LINGUETTA TRASCINAMENTO | DRIVING KEY      | CLAVETTE          | MITNEHMER LAPPEN  | 2 |
| 130 | 18652004/0 | GRUPPO TRAZIONE         | REAR DRIVE       | GROUPE TRACTION   | ANTRIEB           | 1 |
| 131 | 22601908/0 | PULEGGIA                | PULLEY           | POULIE            | RIEMENSCHLEIBE    | 1 |
| 132 | 12645705/0 | SPINA                   | PIN              | GOUPILLE          | STIFT             | 1 |

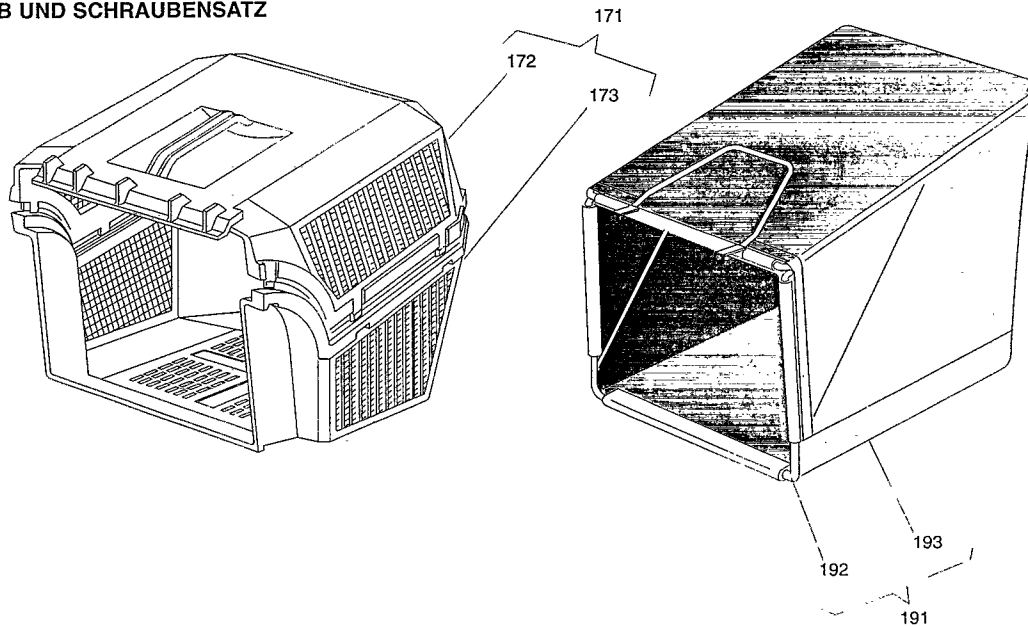
| Pos. Nr. | Codice Code Kodex | Descrizione       | Description | Description | Beschreibung  | Q.tà Q.ty-Q.tè Menge |
|----------|-------------------|-------------------|-------------|-------------|---------------|----------------------|
| 133      | 35064197/0        | CINGHIA           | BELT        | COURROIE    | RIEMEN        | 1                    |
| 134      | 81001139/0        | COMANDO TRAZIONE  | REAR DRIVE  | ENTRETOISE  | DISTANZRING   | 1                    |
| 135      | 12154320/0        | DADO              | NUT         | ECROU       | MUTTER        | 1                    |
| 136      | 22806421/0        | SUPPORTO TRAZIONE | SUPPORT     | SUPPORT     | ANTRIEBHALTER | 1                    |
| 137      | 12740000/0        | VITE              | SCREW       | VIS         | SCHRAUBE      | 1                    |
| 138      | 12293200/0        | DADO              | NUT         | ECROU       | MUTTER        | 2                    |
| 139      | 12521350/0        | RONDELLA          | WASHER      | RONDELLE    | SCHEIBE       | 1                    |
| 140      | 12793900/0        | VITE              | SCREW       | VIS         | SCHRAUBE      | 1                    |

**GRUPPO COLTELLO  
BLADE ASS.Y  
GROUPE DES LAMES  
MESSERSATZ**



|     |            |                   |               |                   |                  |   |
|-----|------------|-------------------|---------------|-------------------|------------------|---|
| 151 | 12139100/0 | LINGUETTA         | FEATHER       | CLAVETTE          | KEI              | 1 |
| 152 | 22465611/0 | MOZZO             | HUB           | MOYEU             | HALTER           | 1 |
| 153 | 22672110/1 | RONDELLA FRIZIONE | CLUTCH WASHER | RONDELLE FRICTION | KUPPLUNGSSCHEIBE | 2 |
| 154 | 81004398/0 | COLTELLO          | BLADE         | LAME              | MESSER           | 1 |
| 155 | 12508120/0 | MOLLA A TAZZA     | CUPPED SPRING | RESSORT           | TELLER FEDER     | 1 |
| 156 | 22672105/0 | RONDELLA          | WASHER        | RONDELLE          | SCHEIBE          | 1 |
| 157 | 22041940/0 | BUSSOLA FRIZIONE  | CLUTCH BUSH   | DOUILLE FRICTION  | KUPPLUNGSSCHEIBE | 1 |
| 158 | 12736825/0 | VITE              | SCREW         | VIS               | SCHRAUBE         | 1 |

**SACCO RACCOGLIERBA E DOTAZIONE  
GRASS-CATCHER AND SCREWS OUTFITS  
BAC DE RAMASSAGE ET DOTATION VISSERIE  
GRASFANGKORB UND SCHRAUBENSATZ**



|     |            |                     |                            |                       |                 |   |
|-----|------------|---------------------|----------------------------|-----------------------|-----------------|---|
| 171 | 96500000/0 | SACCO COMPLETO      | COMPLETE GRASS-BOX         | BAC COMPLETE          | KOMPLETER KORB  | 1 |
| 172 | 22486065/0 | PARTE SUPER. SACCO  | UPPER GRASS-BOX            | PARTE SUPERIEURE SAC  | KORB OBERTEIL   | 1 |
| 173 | 22486064/0 | PARTE INFER. SACCO  | LOWER GRASS-BOX            | PARTE INFERIEURE SAC  | KORB UNTERTEIL  | 1 |
| 191 | 96400000/0 | ASS. SACCO TELA     | CANVASS GRASSCATCHER ASS.Y | ENSEMBLE SAC EN TOILE | KOMPLETTER SACK | 1 |
| 192 | 81006430/0 | TELAIO              | CHASSIS                    | CHASSIS               | RAHMEN          | 1 |
| 193 | 81002124/0 | TELA SACCO          | FABRIC BOX                 | TOILE POUR SAC        | TUCK FÜR SACK   | 1 |
| -   | 81008610/0 | DOTAZIONE VITERIA   | SCREWS OUTFIT              | DOTATION VISSERIE     | SCHRAUBEN SATZ  | 1 |
| -   | 81008498/0 | DOTAZIONE CRUSCOTTO | DASH BOARD OUTFIT          | DOTATION CONSOLE      | KONSOLE SATZ    | 1 |