

1999

NG 464 TR

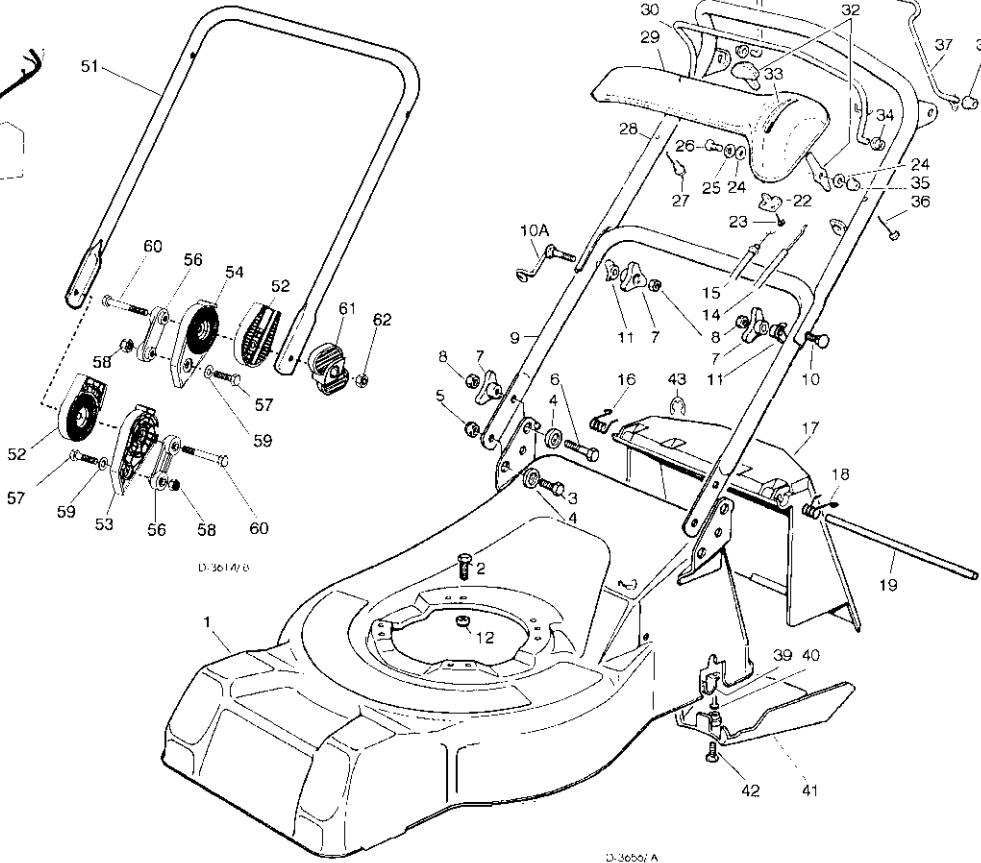
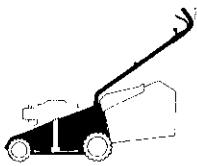
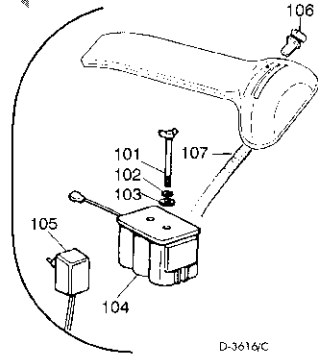
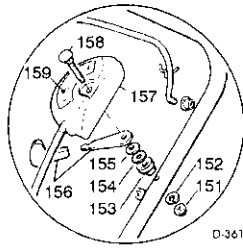
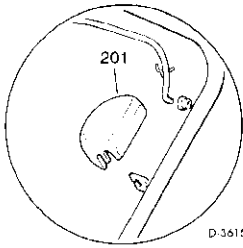
NG 464 TR-E

CHASSIS
MANICO
COMANDI
DOTAZIONE VITERIE

DECK
HANDLE
CONTROLS
SCREWS OUTFITS

CHÂSSIS
MANCHERON
COMMANDES
DOTATION VISSERIE

GEHÄUSE
HOLM
BETÄTIGUNGEN
SCRAUBENSATZ



SPARE PARTS CATALOGUE

GB

ERSATZTEILKATALOG

D

CATALOGO DELLE PARTI
DI RICAMBIO

I

CATALOGUE DES PIÈCES
DE RECHANGE

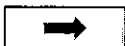
F

T-3656/A

Pos. Nr.	Code Code Kodex	Q.tà Q.ty-Q.tè Menge	Descrizione	Description	Description	Beschreibung
1			CHASSIS	DECK	CHÂSSIS	GEHÄUSE
—	81001624/0	1	ROSSO	RED	ROUGE	ROTES
—	81001625/0	1	GIALLO	YELLOW	JAUNE	GELBES
—	81001626/0	1	VERDE	GREEN	VERT	GRÜNES
2			VITE	SCREW	VIS	SCHRAUBE
—	12793700/0	3/2	(M8x30)	(M8x30)	(M8x30)	(M8x30)
—	12691800/0	0/1	(M8x60)	(M8x60)	(M8x60)	(M8x60)
3	12792610/0	2	VITE	SCREW	VIS	SCHRAUBE
4	22041955/0	4	BUSSOLA	BUSH	DOUILLE	BUCHSE
5	12155000/0	2	DADO	NUT	ECROU	MUTTER
6	12793700/0	2	VITE	SCREW	VIS	SCHRAUBE
7	22399900/0	4	MANOPOLINA	KNOB	POIGNÉE	GRIF
8	12293200/0	4	DADO	NUT	ECROU	MUTTER
9	81006512/0	1	PART. INF. MANICO	LOWER HANDLE	PARTIE INF. MANCHERON	UNTERHOLM
10	12819201/0	1	VITE	SCREW	VIS	SCHRAUBE
10A	81003801/0	1	MOLLA GUIDA	SPRING	RESSORT	FEDER
11	22680006/1	2	RONDELLA	WASHER	RONDELLE	SCHLEIBE
12	12293201/0	3/2	DADO	NUT	ECROU	MUTTER
—	12155000/0	0/1	DADO	NUT	ECROU	MUTTER
14	81007160/0	1	CAVO ACCELERATORE	THROTTLE CABLE	CABLE ACCELERATEUR	BESCHLEUNIGER KABEL



Pos. Nr.	Codice Code Kodex	Q.tà Q.ty-Q.tà Menge	Descrizione	Description	Description	Beschreibung	
15	81000623/ 0	1	CAVO FRENO MOTORE (TECUMSEH)	THREAD MOTOR BRAKE (TECUMSEH)	CABLE FREIN MOTEUR (TECUMSEH)	MOTORBREMSEKABEL (TECUMSEH)	
—	81000631/ 0	1	(QUANTUM XM)	(QUANTUM XM)	(QUANTUM XM)	(QUANTUM XM)	
—	81000625/ 0	1	(SPRINT 375/ QUATTRO)	(SPRINT 375/ QUATTRO)	(SPRINT 375/ QUATTRO)	(SPRINT 375/ QUATTRO)	
16	22450410/ 1	1	MOLLA DX	RIGHT SPRING	RESSORT DROITE	RECHTE FEDER	
17	22600028/ 4	1	PARASASSI	STONE-GUARD	PARE-PIERRES	PRALLBLECH	
18	22450420/ 1	1	MOLLA SX	LEFT SPRING	RESSORT GAUCHE	LINKE FEDER	
19	22517906/ 1	1	PERNO	PIN	PIVOT	BOLZEN	
22	22981467/ 0	1	PIASTRINA	PLAQUE	PLAQUETTE	PLATTE	
23	12735105/ 0	2	VITE	SCREW	VIS	SCHRAUBE	
24	12523040/ 0	2	RONDELLA	WASHER	RONDELLE	SCHIBE	
25	12530060/ 0	1	RONDELLA ELASTICA	SPRING WASHER	RONDELLE ELASTIQUE	ELASTISCHE SCHEIBE	
26	12791500/ 0	1	VITE	SCREW	VIS	SCHRAUBE	
27	22943006/ 0	1	VITE	SCREW	VIS	SCHRAUBE	
28	81007018/ 0	1	PARTE SUP. MANICO	UPPER HANDLE	PARTIE SUP. MANCHERON	OBERHOLM	
29	22120154/ 0	1	CRUSCOTTO	DASH BOARD	CONSOLE	KONSOLE	
—	22120152/ 0	1	ROSSO	RED	ROUGE	ROTE	
—	22120158/ 0	1	GIALLO	YELLOW	JAUNE	GELBE	
—	22120158/ 0	1	NERO	BLACK	NOIRE	SCHWARZE	
30	81003291/ 2	1	LEVA FRENO MOTORE	BRAKE LEVER	LEVIER FREIN MOTEUR	MOTORBREMSEHEBEL	
31	22291050/ 0	1	IMPUGNATURA MANICO	HANDGRIP	POIGNÉE	HANDGRIFF	
—	22291051/ 0	1	NERA	BLACK	NOIRE	SCHWARZER	
—	22291052/ 0	1	ROSSA	RED	ROUGE	RÖTER	
—	22291052/ 0	1	GIALLA	YELLOW	JAUNE	GELBER	
32	81007280/ 2	1	ASS. LEVA + MANOPOLINA	LEVER + KNOB ASS. Y	ENS. LEVIER + POIGNÉE	HEBEL + GRIFF SATZ	
33	14356743/ 0	1	ETICHETTA (TECUMSEH-HONDA)	LABEL (TECUMSEH-HONDA)	ETIQUETTE (TECUMSEH-HONDA)	ETIKETTE (TECUMSEH-HONDA)	
—	14356744/ 0	1	(B&S)	(B&S)	(B&S)	(B&S)	
34	22041966/ 0	1	BOCCOLA	BUSH	DOUILLE	BUCHSE	
35	12154510/ 0	1	DADO	NUT	ECROU	MUTTER	
36	12728460/ 0	1	VITE	SCREW	VIS	SCHRAUBE	
37	81003288/ 1	1	LEVA TRAZIONE	DRIVING LEVER	LEVIER TRACTION	ANTRIEBHEBEL	
38	22041965/ 0	2	BOCCOLA	BUSH	DOUILLE	BUCHSE	
39	22545152/ 0	2	PIASTRINA	PLAQUE	PLAQUETTE	PLATTE	
40	12731350/ 0	4	VITE	SCREW	VIS	SCHRAUBE	
41	22060145/ 0	1	CARTER CINGHIA	BELT PROTECTION	PROTECTION COURROIRE	RIEMENSCHUTZ	
42	12727791/ 0	1	VITE	SCREW	VIS	SCHRAUBE	
43	12000930/ 0	1	ANELLO ELASTICO	SNAP RING	ANNEAU RESSORT	SPRENGRING	
—	81008614/ 1	1	DOTAZIONE VITERIA	SCREWS OUTFIT	DOTATION VISSERIE	SCHRAUBEN SATZ	
—	81008609/ 0	1	DOTAZIONE CRUSCOTTO	DASH-BOARD OUTFIT	DOTATION CONSOLE	KONSOLE SATZ	
			VARIANTE REGOLAZIONE MANICO	HANDLE ADJUSTMENT VARIANT	VARIANTE REGLAGE POIGNEE	GRIFFEINSTELLVARIANTE	
T-3615/B	51	81006510/ 0	1	PARTE INFR. MANICO	LOWER HANDLE	PARTIE INF. MANCHERON	UNTERHOLM
	52	22785081/ 0	2	SUPPORTO ESTERNO	EXTERNAL SUPPORT	SUPPORT EXTERNE	AUßERE HALTERUNG
	53	22785082/ 0	1	SUPPORTO INTERNO DX	R. INTERNAL SUPPORT	SUPPORT INTERNE DROIT	INNERE HALTERUNG RECHTS
	54	22785083/ 1	1	SUPPORTO INTERNO SX	L. INTERNAL SUPPORT	SUPPORT INTERNE GAUCHE	INNERE HALTERUNG LINKS
	56	22551575/ 0	2	PIASTRINA INTERNA	INSIDE PLAQUE	PLAQUETTE INTERNE	INNERE PLATTE
	57	12793701/ 0	2	VITE	SCREW	VIS	SCHRAUBE
	58	12155000/ 0	2	DADO	NUT	ECROU	MUTTER
	59	12521350/ 0	2	RONDELLA	WASHER	RONDELLE	SCHIBE
	60	12691810/ 0	2	VITE	SCREW	VIS	SCHRAUBE
	61	22399803/ 0	2	MANOPOLINA	KNOB	POIGNÉE	GRIFF
	62	12293202/ 0	2	DADO	NUT	ECROU	MUTTER
	—	81008623/ 0	1	DOTAZ. VITERIA	SCREWS OUTFIT	DOTATION VISSERIE	SCHRAUBEN SATZ
			VARIANTI PER AVVIAMENTO ELETTRICO	PARTS FOR ELECTRIC START	COMPOSANTS POUR DÉMARRAGE ÉLECTRIQUE	ELEKTROSTART BESTANDTEILE	
T-3615/C	101	22517855/ 0	2	PERNO	PIN	PIVOT	BOLZEN
	102	12523000/ 0	2	RONDELLA	WASHER	RONDELLE	SCHIBE
	103	12540020/ 0	2	RONDELLA	WASHER	RONDELLE	SCHIBE
	104	18120050/ 0	1	BATTERIA	BATTERY	BATTERIE	BATTERIE
	105	18204110/ 0	1	CARICA BATTERIA	BATTERY CHARGER	CHARGEUR DE BATTERIE	LADGERÄT
	106	18450050/ 0	1	INTERRUTTORE	SWITCH	INTERRUPTEUR	SCHALTER
	107	18204190/ 2	1	CAVO AVVIAMENTO	START CABLE	CABLE DÉMARRAGE	STARTKABEL
			VARIANTE ACCELERATORE	THROTTLE VARIANTS	VARIANTES COMMANDE D'ACCELERATION	ÄNDERUNGEN AUF GASHEBEL	
T-3615/D	151	12291000/ 0	1	DADO	NUT	ECROU	MUTTER
	152	12581500/ 0	1	GROWER	GROWER	GROWER	FEDERRING
	153	22171005/ 0	1	DISTANZIALE	SPACER	ENTRETOISE	DISTANZRING
	154	12521360/ 0	1	RONDELLA	WASHER	RONDELLE	SCHIBE
	155	12508100/ 0	1	RONDELLA ELASTICA	SPRING WASHER	RONDELLE ELASTIQUE	ELASTISCHE SCHEIBE
	156	81007279/ 1	1	ASS. LEVA+MANOPOLINA	LEVER+KNOB ASS. Y	ENS. LEVIER+POIGNEE	HEBEL+GRIFF SATZ
	157	81007080/ 0	1	ASSIEME ACCELERATORE	TROTTLE UNIT ASS. Y	ENS. ACCELERATEUR	BESCHLEUNIGER SATZ
	158	12815000/ 0	1	VITE	SCREW	VIS	SCHRAUBE
	159	14356702/ 0	1	ETICHETTA (TECUMSEH-HONDA)	LABEL (TECUMSEH-HONDA)	ETIQUETTE (TECUMSEH-HONDA)	ETIKETTE (TECUMSEH-HONDA)
	—	14356703/ 0	1	(B&S)	(B&S)	(B&S)	(B&S)



T-3615/E

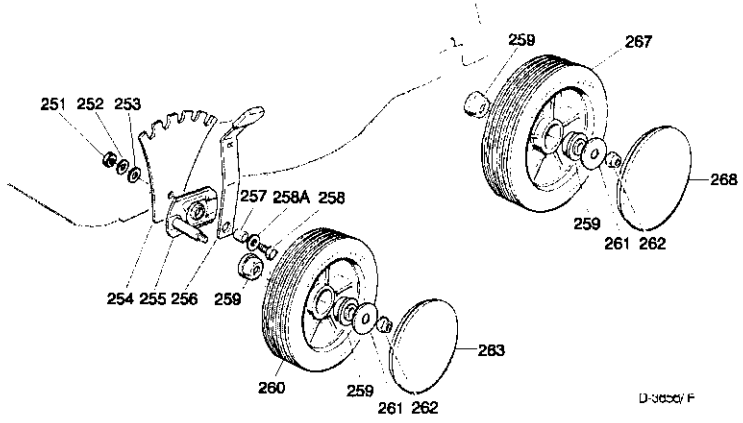
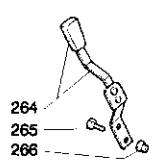
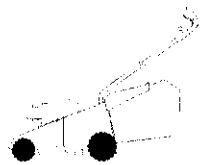
		VARIANTE REGIME FISSO	FIXED SPEED VARIANTS	VARIANTES POUR MODÈLE À RÉGIME FIXE	ÄNDERUNGEN FÜR MODELLE MIT FIXIERTER DREHZAHL
20*	22601000/0	PROTEZIONE	PROTECTION	PROTECTION	SCHUTZ

RUOTE E REGOLAZIONE

WHEELS AND HEIGHT ADJUSTING

ROUES ET REGLAGE HAUTEUR DE COUPE

RÄDER UND SCHNITTHÖHTEVERSTELLUNG



T-3656/F

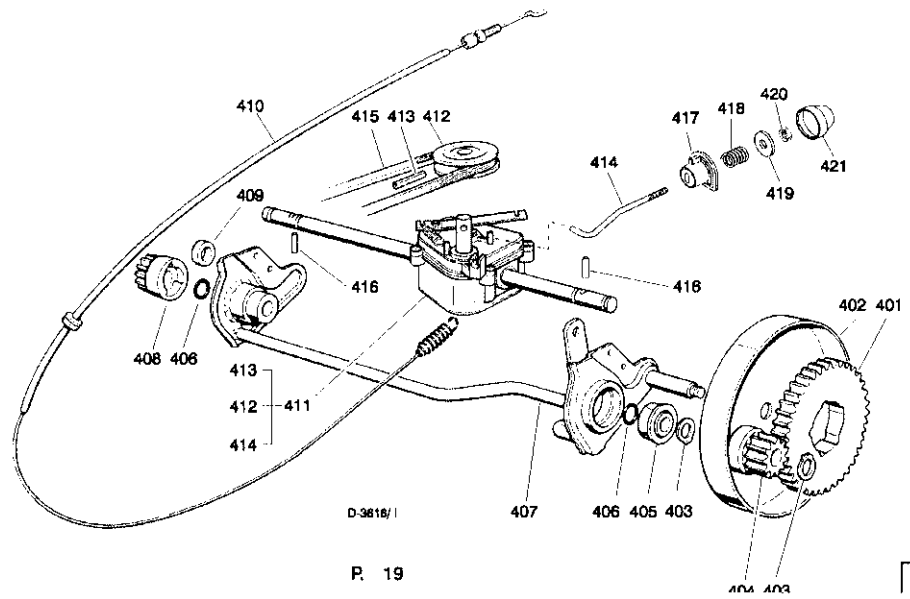
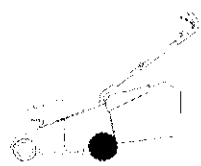
251	12293200/0	2	DADO	NUT	ECROU	MUTTER
252	12583500/0	2	GROWER	GROWER	GROWER	FEDERING
253	12523070/0	2	RONDELLA	WASHER	RONDELLE	SCHEIBE
254	22735537/0	2	SETTORE REGOLAZIONE	ADJUSTMENT SECTOR	SECTEUR REGLAGE	VERSTELLUNGSEKTOR
255	81005082/0	2	SUPP RUOTA	WHEEL SUPPORT	SUPPORT ROUE	RADHALTER
256	81003273/0	2	LEVA REGOLAZIONE	ADJUSTMENT LEVER	LEVIER REGLAGE	VERSTELLUNGHEBEL
257	22171001/0	2	DISTANZIALE	SPACER	ENTRETOISE	DISTANZRING
258	12793701/0	2	VITE	SCREW	VIS	SCHRAUBE
258A	12521350/0	2	RONDELLA	WASHER	RONDELLE	SCHEIBE
259	22034508/0	8	BOCCOLA	BUSH	DOUILLE	BUCHSE
260	81007326/0	4	RUOTA Ø 170	WHEEL Ø 170	ROUE Ø 170	RAD Ø 170
261	12523060/0	4	RONDELLA	WASHER	RONDELLE	SCHEIBE
262	12155000/0	4	DADO	NUT	ECROU	MUTTER
263	■		COPRIMOZZO	HUB CAP	COUVRE-MOYEU	RADKAPPE
—	22110262/0	2	BIANCO	WHITE	BLANC	WEIß
—	22110263/0	2	GIALLO	YELLOW	JAUNE	GELBE
—	22110264/0	2	ROSSO	RED	ROUGE	ROTE
264	81003279/2	1	LEVA REGOLAZIONE	ADJUSTMENT LEVER	LEVIER REGLAGE	VERSTELLUNGHEBEL
265	12789000/0	2	VITE	SCREW	VIS	SCHRAUBE
266	12154330/0	2	DADO	NUT	ECROU	MUTTER
267	81007328/0	2	RUOTA Ø 210	WHEEL Ø 210	ROUE Ø 210	RAD Ø 210
268	■		COPRIMOZZO	HUB CAP	COUVRE-MOYEU	RADKAPPE
—	22110265/0	2	BIANCO	WHITE	BLANC	WEIß
—	22110266/0	2	GIALLO	YELLOW	JAUNE	GELBE
—	22110267/0	2	ROSSO	RED	ROUGE	ROTE

GRUPPO TRAZIONE

REAR DRIVE

GROUPE TRACTION

ANTRIEB



D-3618/I



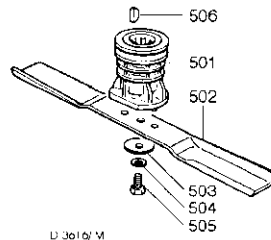
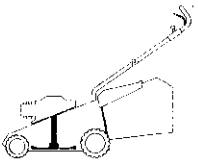
Pos. Nr.	Codice Code	Q.tà Q.ty-Q.tè	Descrizione Menge	Description	Description	Beschreibung	
T-3616/1	401	22120105/ 1	2	CORONA	RING GEAR	COURONNE	KRANZ
	402	81006846/ 0	2	PROTEZIONE RUOTE	WHEEL GUARD	PROTECTION ROUE	RÄDERSCHUTZ
	403	12608600/ 0	4	SEEGER	SEEGER	SEEGER	SEEGER
	404	22570120/ 0	1	PIGNONE SINISTRO	LEFT PINION	PIGNON GAUCHE	LINKES RITZEL
	405	22122200/ 0	2	CUSCINETTO	BEARING	COUSSINET	LAGER
	406	12019900/ 0	2	ANELLO OR	OR RING	BAGUE OR	RING OR
	407	81001252/ 1	1	ASSE RUOTE POSTERIORE	REAR WHEELS AXLE	AXE ROUES ARRIERE	HINTERRADACHSE
	408	22570110/ 0	1	PIGNONE DESTRO	RIGHT PINION	PIGNON DROITE	RECHTES RITZEL
	409	22170800/ 0	1	DISTANZIALE	SPACER	ENTRETOISE	DISTANZRING
	410	81001143/ 0	1	ASS. COMANDO TRAZIONE	REAR DRIVE ASS.Y	ENS. COMMANDE TRACTION	ANTRIEBKABEL
	411	81003059/ 0	1	ASS. GRUPPO TRAZIONE (PLASTICA)	GEAR BOX ASS.Y (PLASTIC)	ENS. GROUPE TRACTION (PLASTIQUE)	ANTRIEBSATZ (KUNSTSTOFF)
		81003060/ 0	1	(ALLUMINIO)	(ALUMINIUM)	(ALUMINIUM)	(ALUMINIUM)
	412	22601904/ 0	1	PULEGGIA 4 KM/ H	PULLEY 4 KM/ H	POULIE 4 KM/ H	RIEMENSCHLEIBE 4 KM/ H
	413	12645705/ 0	1	SPINA	PIN	GOUPILLE	STIFT
	414	22033280/ 0	1	ASTA REGOLAZIONE	ADJUSTMENT ROD	TIGE REGLAGE	VERSTELLUNGSTANGE
	415	35063800/ 0	1	CINGHIA Z 27	BELT Z 27	COURROIE Z 27	RIEMEN Z 27
	416	22753000/ 0	2	SPINA	PIN	GOUPILLE	STIFT
	417	22041957/ 0	1	BUSSOLA	BUSH	DOUILLE	BUCHSE
	418	22450063/ 0	1	MOLLA	SPRING	RESSORT	FEDER
	419	22680009/ 0	1	RONDELLA	WASHER	RONDELLE	SCHLEIBE
	420	12154510/ 0	1	DADO	NUT	ECROU	MUTTER
	421	22110230/ 0	1	TAPPO	CAP	BOUCHON	GUMMISTOPFEN

GRUPPO COLTELLO

BLADE ASS.Y

GROUPE LAME

MESSERSATZ



D-3616/ M

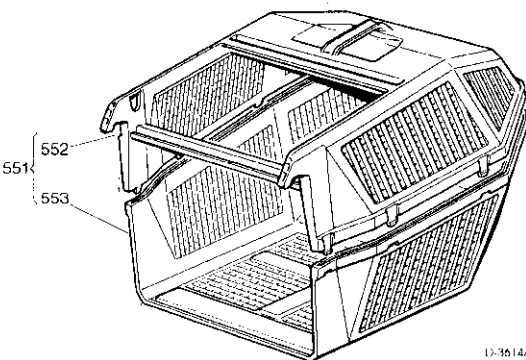
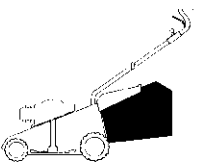
T-3616/ M	501	22465607/ 0	1	MOZZO CON PULEGGIA	HUB WITH PULLEY	MOYEU AVEC POULIE	NABE MIT SCHEIBE
	502	81004365/ 1	1	COLTELLO STANDARD	STANDARD BLADE	LAME STANDARD	STANDARD MESSER
	503	22160400/ 0	1	RONDELLA ELASTICA	SPRING WASHER	RONDELLE ELASTIQUE	ELASTISCHE SCHEIBE
	504	12523080/ 0	1	RONDELLA	WASHER	RONDELLE	SCHEIBE
	505	12735698/ 0	1	VITE	SCREW	VIS	SCHRAUBE
	506	12139100/ 0	1	LINGUETTA	FEATHER	CLAVETTE	KEIL

SACCO RACCOGLIERBA

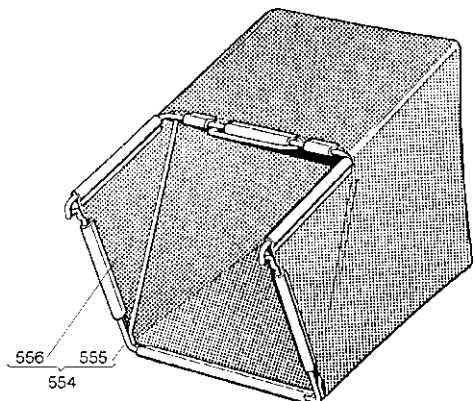
GRASS-CATCHER

BAC DE RAMASSAGE

GRASFANGKORB



D-3614/ N



T-3614/ N	551	98005000/ 1	1	SACCO COMPLETO	COMPLETE GRASS-BOX	SAC COMPLET	KOMPLETTER KORB
	552	22486076/ 0	1	PARTE SUP. SACCO	UPPER GRASS BOX	PARTIE SUP. SAC	OBERKORB
	553	22486077/ 0	1	PARTE INF. SACCO	LOWER GRASS BOX	PARTIE INF. SAC	UNTERKORB
	554	98004000/ 0	1	ASS. SACCO IN TELA	CANVASS GRASSCATCHER	ENSEMBLE SAC EN TOILE	KOMPLETTER SACK
	555	81006408/ 0	1	TELAIO	CHASSIS	CHÂSSIS	RAHMEN
	556	81002105/ 2	1	TELA SACCO	FABRIC BOX	TOILE POUR SAC	TUCK FÜR SACK