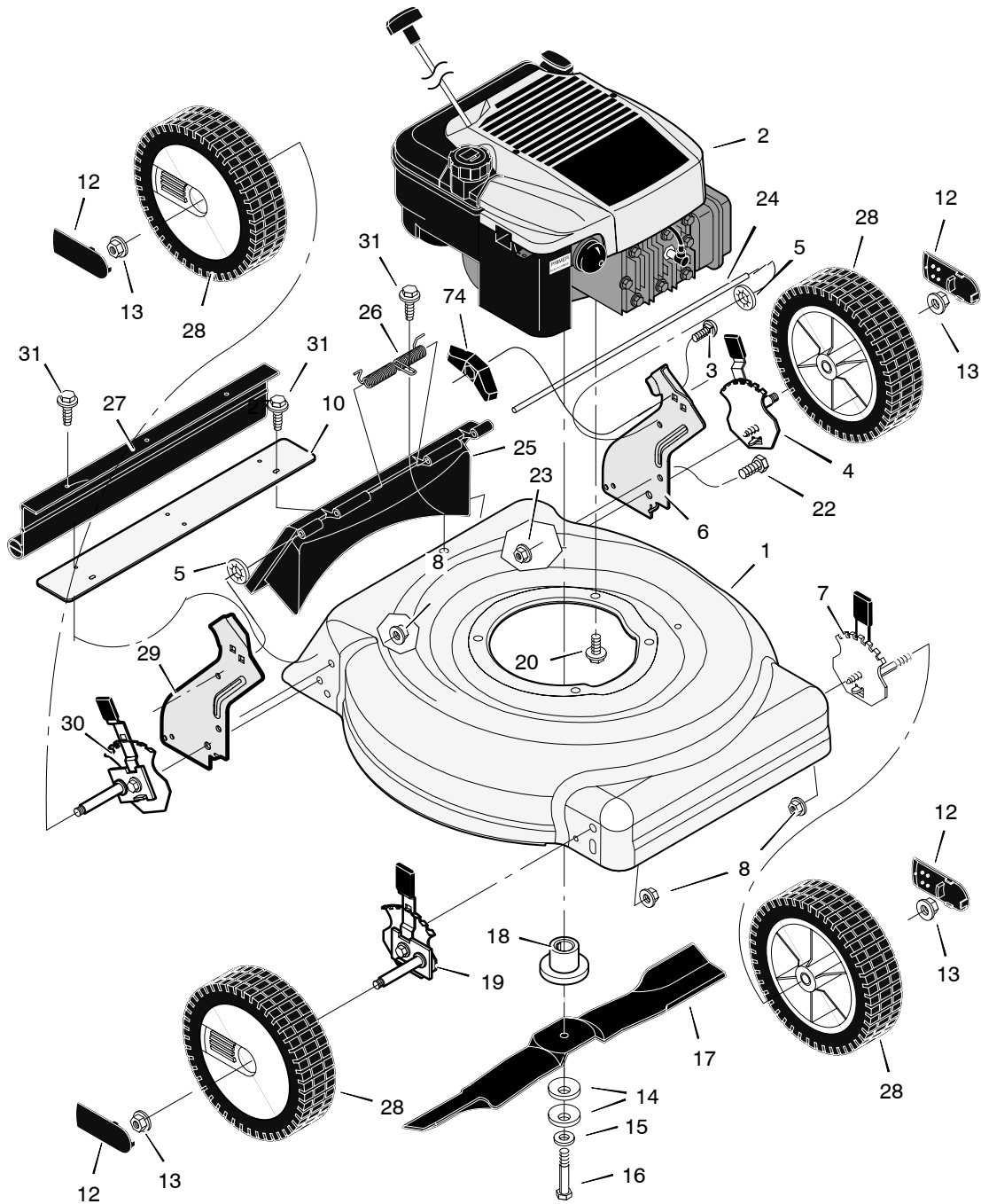


204110x52B

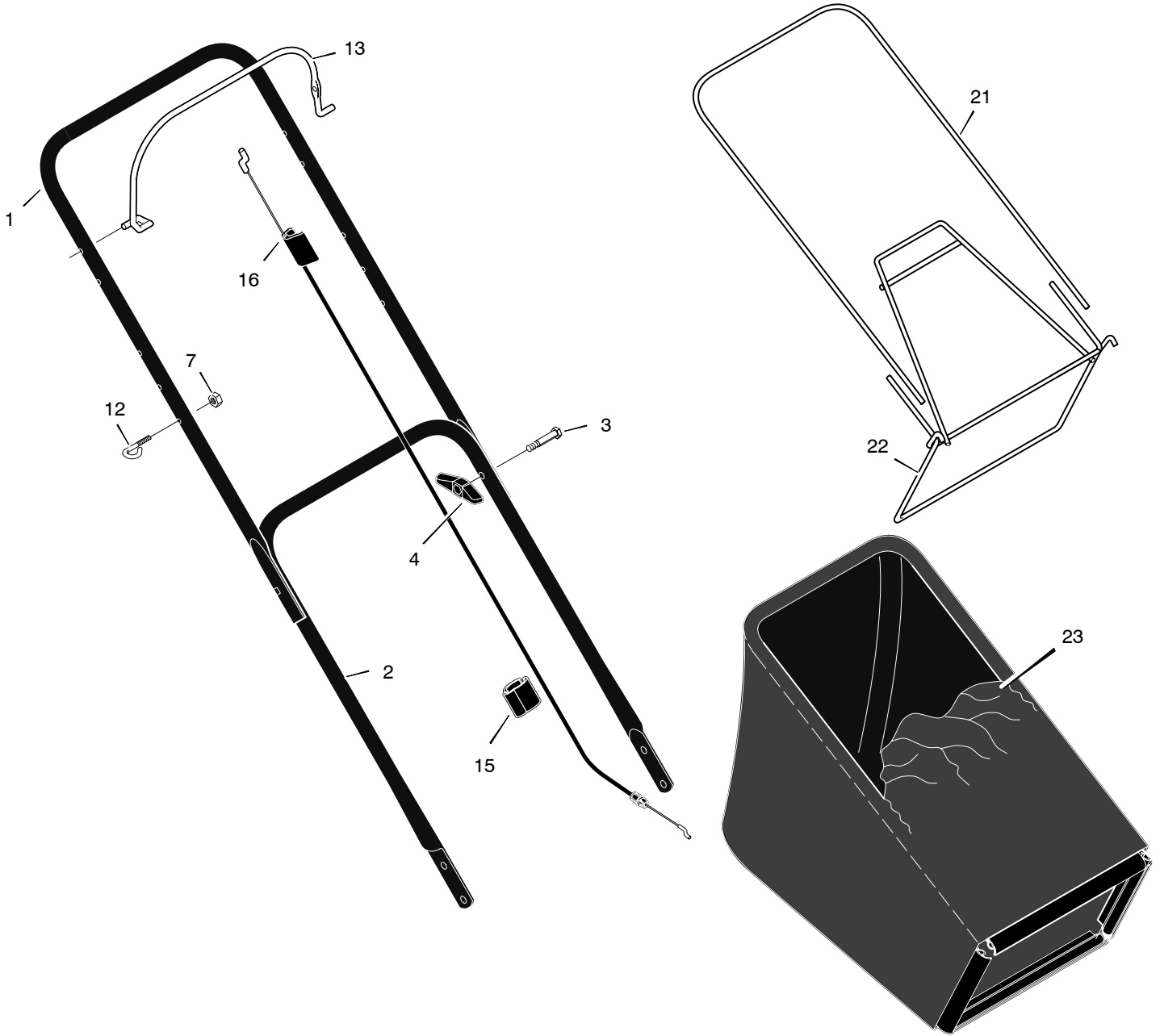
MOWER HOUSING ASSEMBLY



2	- - - -	Engine	14	17x137	Washer, Belleville	25	672612	Door, Rear
3	002x81	Bolt, Carriage	15	17x124	Washer	26	166x44	Spring
4	672605	Adjuster, Left Rear Height	16	01x153	Bolt	27	671970	Guard, Rear
5	028x49	Push Retainer	17	672763E701	Blade	28	071597	Wheel
6	1101239E245	Bracket, Left Handle	18	672503	Adapter, Blade	29	1101238E245	Bracket, Right Handle
7	672601	Adjuster, Left Front Height	19	672600	Adjuster, Right Front Height	30	672604	Adjuster, Right Rear Height
8	015x68	Nut, Flange	20	0025x6	Bolt, Engine	31	26x245	Screw
10	1102044E701	Extension, Rear	22	001x45	Bolt	74	071495	Knob
12	672122	Hub Cap - Optional	23	015x79	Nut, Flange	--	F-050452L	Instruction Book
13	015x84	Nut, Flange	24	215x17 Z	Rod, Pivot			
					60			

204110x52B

HANDLE & BAG ASSEMBLY



1	1101555E701	Handle, Upper (Gray)	7	15x116	Locknut	16	1102093	Engine Stop Cable
2	1102085E701	Handle, Lower (Gray)	12	071530	Guide, Rope	21	071592	Frame, Top (Optional)
3	002x77	Bolt	13	1101963E701	Engine Stop Lever	22	672905	Frame Assembly (Optional)
4	071294	Knob, Plastic	15	1101353	Fastener, Cable	23	1101032	Bag, Cloth (Optional)