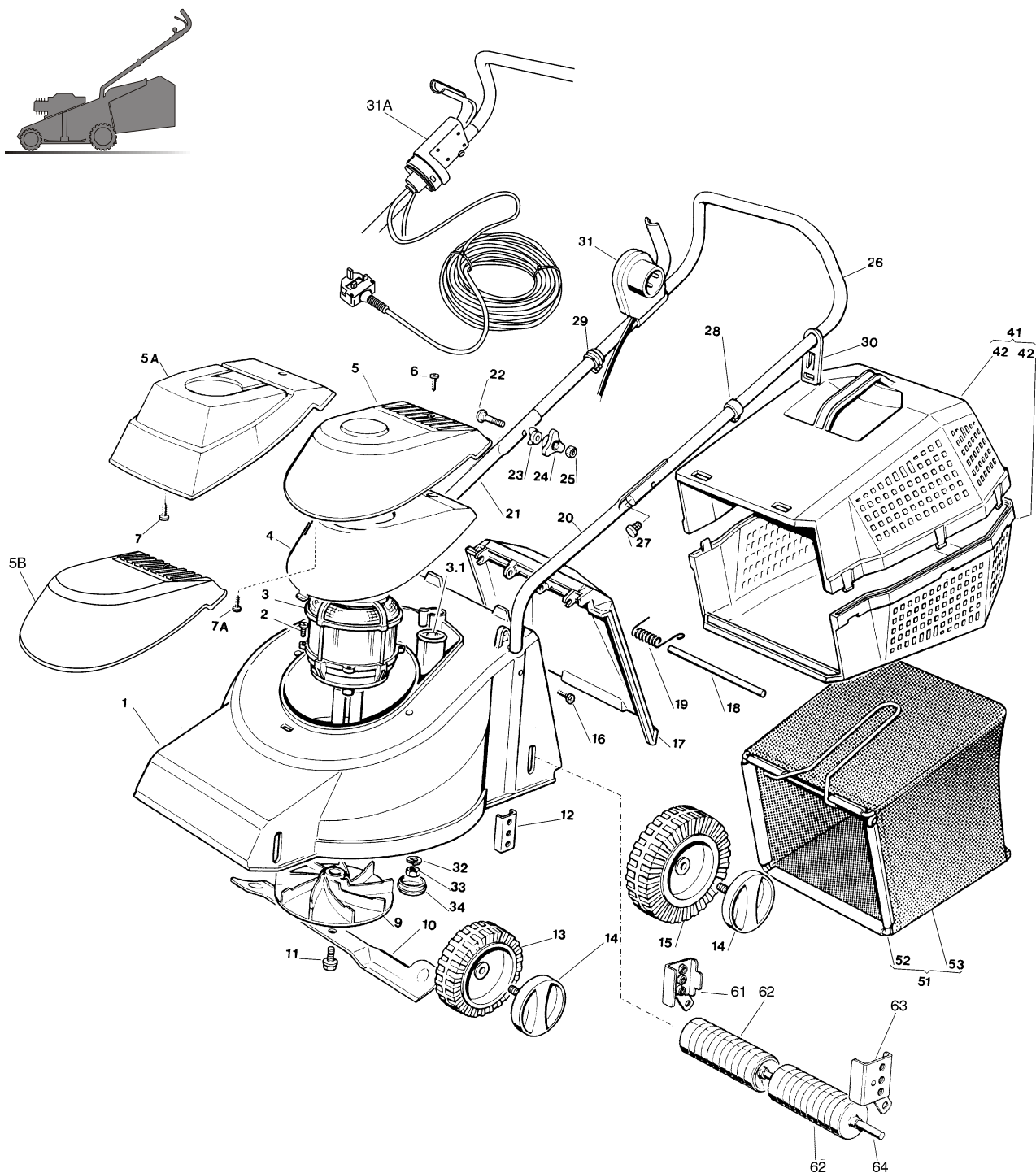




00D\_K390



00T.002

Pos.	Code	Q.ty	Descrizione	Description	Description	Beschreibung	Remarks
1	81001570/0	1	CHASSIS ROSSO	DECK RED	CHÂSSIS ROUGE	GEHÄUSE ROTES	
-	81001571/0	1	CHASSIS GIALLO	DECK YELLOW	CHÂSSIS JAUNE	GEHÄUSE GELBES	
-	81001572/0	1	CHASSIS VERDE	DECK GREEN	CHÂSSIS VERT	GEHÄUSE GRÜNES	
2	12735410/0	4	VITE	SCREW	VIS	SCHRAUBE	
3	18563010/1	1	MOTORE RST	MOTOR RST	MOTEUR RST	MOTOR RST	230-240V (1200W)
-	18563601/0	1	MOTORE ATB	MOTOR ATB	MOTEUR ATB	MOTOR ATB	230-240V (1200W)
3.1	18222045/0	1	CONDENSATORE 16 µF	CONDENSER 16 µF	CONDENSEUR 16 µF	KONDENSATOR 16 µF	(1200W ATB)
-	18222036/0	1	CONDENSATORE 12 µF	CONDENSER 12 µF	CONDENSEUR 12 µF	KONDENSATOR 12 µF	(1200W RST)
4	22055029/0	1	SUPPORTO CAPOTTINA	SUPPORT, COVER	SUPPORT CAPOT	HALTER, HAUBE	
5	81002006/0	1	CAPOTTINA	COVER	CAPOT	HAUBE	
5A	22055037/2	1	CAPOTTINA	COVER	CAPOT	HAUBE	
5B	22055059/1	1	CAPOTTINA	COVER	CAPOT	HAUBE	



## GLOBAL GARDEN PRODUCTS

00T.002

Pos.	Code	Q.ty	Descrizione	Description	Description	Beshreibung	Remarks
6	12728680/0	1	VITE	SCREW	VIS	SCHRAUBE	
7	12728450/0	1	VITE	SCREW	VIS	SCHRAUBE	
7A	12731601/0	1	VITE	SCREW	VIS	SCHRAUBE	
9	22465602/0	1	MOZZO	HUB	MOYEU	HALTER	
10	81004117/1	1	COLTELLO	BLADE	LAME	MESSER	
11	81004352/0	1	VITE	SCREW	VIS	SCHRAUBE	
12	22785087/1	4	SUPPORTO RUOTE	SUPPORT, WHEELS	SUPPORT ROUE	HALTER, RAD	
13	22686086/0	2	RUOTA Ø 130	WHEEL Ø 130	ROUE Ø 130	RAD Ø 130	
14	81004347/0	4	COPRIMOZZO GIALLO	HUB CAP YELLOW	COUVRE-MOYEU JAUNE	RADKAPPE GELBE	
-	81004348/0	4	COPRIMOZZO BIANCO	HUB CAP WHITE	COUVRE-MOYEU BLANC	RADKAPPE WEIßE	
-	81004354/0	4	COPRIMOZZO ROSSO	HUB CAP RED	COUVRE-MOYEU ROUGE	RADKAPPE ROTE	
15	22686087/0	2	RUOTA Ø 160	WHEEL Ø 160	ROUE Ø 160	RAD Ø 160	
16	12728450/0	2	VITE	SCREW	VIS	SCHRAUBE	
17	22600044/1	1	PARASASSI	STONE-GUARD	PARE-PIERRES	PRALLBLECH	
18	22512601/0	1	PERNO	PIN	PIVOT	BOLZEN	
19	22450250/0	1	MOLLA	SPRING	RESSORT	FEDER	
20	81006940/0	1	MANICO, PARTE INF SX	HANDLE, L LOWER PART	MANCHERON, PARTIE INFERIEURE G	HOLM, LINKE UNTERTEIL	
21	81006939/0	1	MANICO, PARTE INF DX	HANDLE, R LOWER PART	MANCHERON, PARTIE INFERIEURE D	HOLM, RECHTE UNTERTEIL	
22	12819120/0	2	VITE	SCREW	VIS	SCHRAUBE	
23	22680006/1	2	RONDELLA	WASHER	RONDELLE	SCHEIBE	
24	22399900/0	2	MANOPOLINA	KNOB	POIGNÉE	GRIFF	
25	12293200/0	2	DADO	NUT	ECROU	MUTTER	
26	81006941/2	1	MANICO, PARTE SUP	HANDLE, UPPER PART	MANCHERON, PARTIE SUPERIEURE	HOLM, OBERTEIL	
27	18566112/0	2	PUNTALE	CAP	BOUCHON	GUMMISTOPFEN	
28	22192151/0	1	FERMACAVO	FAIRLEAD	FIXATION CABLE	KABELBEFESTIGUNG	
29	22192000/1	1	FASCETTA ANCORAGGIO	ANCHOR CLAMP	COLLIER ANCRAGE	BOWDENZUGHALTER	
30	22195101/2	1	FERMACAVO	FAIRLEAD	FIXATION CABLE	KABELBEFESTIGUNG	
31	18710626/1	1	SALVAMOTORE - SENZA PROT. TERMICA	DEAD HAND SWITCH - WITHOUT OVERLOAD PROTECTION	INT. MAIN MORTE - SANS PROTECTION TERMIQUE	TOT MANSCHALTER - OHNE THERMISCHER SCHUTZ	601 MS
-	18710627/1	1	SALVAMOTORE - SENZA PROT. TERMICA	DEAD HAND SWITCH - WITHOUT OVERLOAD PROTECTION	INT. MAIN MORTE - SANS PROTECTION TERMIQUE	TOT MANSCHALTER - OHNE THERMISCHER SCHUTZ	603 MS (ONLY FOR CH)
-	18710561/0	1	SALVAMOTORE	DEAD HAND SWITCH	INT. MAIN MORTE	TOT MANSCHALTER	7A 602 MS (1200W ATB)
-	18710608/0	1	SALVAMOTORE	DEAD HAND SWITCH	INT. MAIN MORTE	TOT MANSCHALTER	7A 603 MS (1200W ATB ONLY FOR CH)
-	18710620/1	1	SALVAMOTORE	DEAD HAND SWITCH	INT. MAIN MORTE	TOT MANSCHALTER	7A 607 MS (1200W ATB ONLY FOR NZ-AUS)
31A	18710403/0	1	SALVAMOTORE + CAVO (15 MT)	DEAD HAND SWITCH + CABLE (15 MT)	INT. MAIN MORTE + CABLE (15 MT)	TOT MANSCHALTER + KABEL (15 MT)	7A CCS 79 (1200W ATB ONLY FOR UK)
-	18710401/0	1	SALVAMOTORE - SENZA PROT. TERMICA + CAVO (15 MT)	DEAD HAND SWITCH - WITHOUT OVERLOAD PROTECTION + CABLE (15 MT)	INT. MAIN MORTE - SANS PROTECTION TERMIQUE + CABLE (15 MT)	TOT MANSCHALTER - OHNE THERMISCHER SCHUTZ + KABEL (15 MT)	CCS 59 (ONLY FOR UK)
32	12540260/0	1	GROWER	GROWER	GROWER	FEDERRING	
33	12293200/0	1	DADO	NUT	ECROU	MUTTER	
34	22110275/0	1	TAPPO	CAP	BOUCHON	GUMMISTOPFEN	
41	97008000/0	1	SACCO, COMPLETO	GRASSCATCHER, COMPLETE	SAC, COMPLETE	SACK, KOMPLETTE	
42	22486069/0	2	SACCO, PARTE INF/SUP	GRASS-BOX, UPPER/LOWER PART	SAC, PARTIE INFERIEURE/SUPERIEURE	KORB, OBER/UNTERTEIL	
51	97007000/0	1	SACCO IN TELA, COMPLETO	GRASSCATCHER, CANVASS COMPLETE	SAC EN TOILE, COMPLETE	SACK, KOMPLETTE	
52	81006417/0	1	TELAIO SACCO	CHASSIS BOX	CHÂSSIS BAC	RAHMEN SACK	
53	81002147/0	1	SACCO, TELA	BOX, FABRIC	SAC, TOILE	SACK, TUCK	
—	81008592/0	1	DOTAZIONE VITERIA	OUTFIT, SCREWS	DOTATION VISSERIE	SATZ, SCHRAUBEN	

## GLOBAL GARDEN PRODUCTS

VARIANTE ROLLER - ROLLER MODIFICATION - MODIFICATION ROLLER - ÄNDERUNG ROLLER

00T.002

Pos.	Code	Q.ty	Descrizione	Description	Description	Beschreibung	Remarks
1	81001702/0	1	CHASSIS ROSSO	DECK RED	CHÂSSIS ROUGE	GEHÄUSE ROTES	
61	81005097/1	1	SUPPORTO RUOTA DX	SUPPORT, R WHEEL	SUPPORT ROUE DROIT	HALTER, RAD R	
62	22670011/1	2	ROLLER	ROLLER	ROLLER	ROLLER	
63	81005099/1	1	SUPPORTO RUOTA SX	SUPPORT, L WHEEL	SUPPORT, G ROUE	HALTER, RAD LINKER	
64	22519808/0	1	PERNO ROLLER	PIN, ROLLER	PIVOT, ROLLER	BOLZEN, ROLLER	