

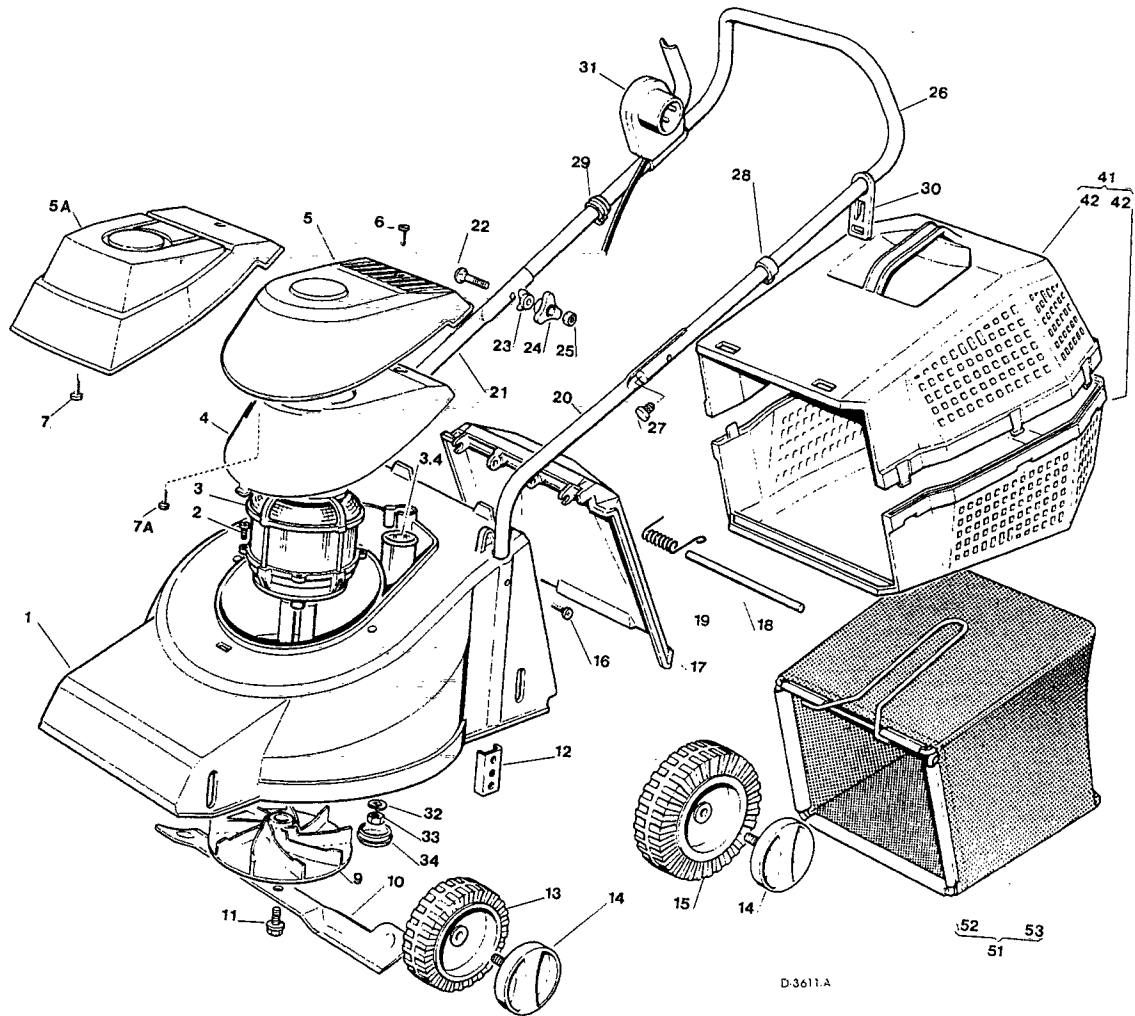
VISTE ESPLOSE
EXPLODED VIEWS

VUES ECLATEES
SPRENGZEICHNUNGEN

Rapid

K 390

Mod. 1998



D.3611.A

T-3611/A

Pos. Nr.	Codice Kodex Code	Descrizione	Description	Description	Beschreibung	Q.tà Q.ty Q.té Menge
1	81001481/0	CHASSIS ROSSO	RED DECK	CHÂSSIS ROUGE	ROTES GEHÄUSE	1
—	81001482/0	CHASSIS GIALLO	YELLOW DECK	CHÂSSIS JAUNE	GELBES GEHÄUSE	1
—	81001480/0	CHASSIS VERDE	GREEN DECK	CHÂSSIS VERT	GRÜNES GEHÄUSE	1
2	12735410/0	VITE	SCREW	VIS	SCHRAUBE	4
3	18563065/0	MOTORE IBMEI 1200W (230V)	IBMEI MOTOR 1200W (230V)	MOTEUR IBMEI 1200W (230V)	MOTOR IBMEI 1200W (230V)	1
—	18563067/0	MOTORE IBMEI 1200W (240V)	IBMEI MOTOR 1200W (240V)	MOTEUR IBMEI 1200W (240V)	MOTOR IBMEI 1200W (240V)	1
3-4	18222036/0	CONDENSATORE 12 µF	CONDENSER 12 µF	CONDENSEUR 12 µF	KONDENSATOR 12 µF	1
4	22055032/0	SUP. CAPOTTINA	COVER SUPPORT	SUPPORT CAPOT	HAUBEHALTER	1
5	81002007/0	ASS. CAPOTTINA	COVER ASS.Y	ENS. CAPOT	KOMPLETTE HAUBE	1
5A	81002006/0	ASS. CAPOTTINA	COVER ASS'Y	ENS. CAPOT	KOMPLETTE HAUBE	1
6	12728680/0	VITE	SCREW	VIS	SCHRAUBE	1
7	12728450/0	VITE	SCREW	VIS	SCHRAUBE	1
7A	12728680/0	VITE	SCREW	VIS	SCHRAUBE	1
9	22465602/0	MOZZO	HUB	MOYEU	NABE	1
10	81004117/1	COLTELLO	BLADE	LAME	MESSER	1
11	81004352/0	VITE	SCREW	VIS	SCHRAUBE	1
12	22785087/1	SUPP. RUOTE	WHEELS SUPPORT	SUPPORT ROUE	RADHALTER	4
13	22686081/0	RUOTA Ø 130	WHEEL Ø 130	ROUE Ø 130	RAD Ø 130	2
14	81004348/0	COPRIMOZZO BIANCO	WHITE HUB CAP	COUVRE-MOYEU BLANC	WEIßE RADKAPPE	4
—	81004347/0	COPRIMOZZO GIALLO	YELLOW HUB CAP	COUVRE-MOYEU JAUNE	GELBE RADKAPPE	4
—	81004354/0	COPRIMOZZO ROSSO	RED HUB CAP	COUVRE-MOYEU ROUGE	ROTE RADKAPPE	4
15	22686082/0	RUOTA Ø 160	WHEEL Ø 160	ROUE Ø 160	RAD Ø 160	2

Pos. Nr.	Codice Kodex Code	Descrizione	Description	Description	Beschreibung	Q.tà Q.ty Q.tè Menge
16	12728450/0	VITE	SCREW	VIS	SCHRAUBE	2
17	22600044/1	PARASSASSI	STONE-GUARD	PARE-PIERRES	PRALLBLECH	1
18	22512601/0	PERNO	PIN	PIVOT	BOLZEN	1
19	22450250/0	MOLLA	SPRING	RESSORT	FEDER	1
20	81006940/0	MANICO INF. SX	L. LOWER HANDLE	MANCHERON INF. G.	L. UNTERHOLM	1
21	81006939/0	MANICO INF. DX	R. LOWER HANDLE	MANCHERON INF. D.	R. UNTERHOLM	1
22	12819120/0	VITE	SCREW	VIS	SCHRAUBE	2
23	22680006/1	RONDELLA	WASHER	RONDELLE	SCHEIBE	2
24	22399900/0	MANOPOLINA	KNOB	POIGNÉE	GRIFF	2
25	12293200/0	DADO	NUT	ECROU	MUTTER	2
26	81006941/2	PARTE SUP. MANICO	UPPER HANDLE	PARTIE SUP. MANCHERON	OBERHOLM	1
27	18566112/0	TAPPO	CAP	BOUCHON	GUMMISTOPFEN	2
28	22192151/0	FERMACAVO	FAIRLEAD	FIXATION CABLE	KABELBEFESTIGUNG	1
29	22192000/1	FASCETTA ANCORAGGIO	ANCHOR CLAMP	COLLIER ANCRAGE	BOWDENZUGHALTER	1
30	22195101/1	FERMACAVO	FAIRLEAD	FIXATION CABLE	KABELBEFESTIGUNG	1
31		SALVAMOTORE M.M.	DEAD HAND SWITCH M.M.	INT. MAIN MORTE M.M.	TOT MANSCHALTER M.M.	1
—	18710561/0	7 A 602 MS (1200W)	7 A 602 MS (1200W)	7 A 602 MS (1200W)	7 A 602 MS (1200W)	1
—	18710608/0	7 A 603 MS (1200W)	7 A. 603 MS (1200W)	7 A 603 MS (1200W)	7 A 603 MS (1200W)	1
—	18710620/1	SOLO PER SVIZZERA	ONLY FOR SWITZERLAND	SEULEMENT POUR LA SUISSE	NUR FÜR SCHWEIZ	1
—	18710620/1	7 A 607 MS (1200W)	7 A 607 MS (1200W)	7 A 607 MS (1200W)	7 A 607 MS (1200W)	1
—	18710626/1	SENZA PROT. TERMICA	601 MS WITHOUT OVERLOAD	601 MS SANS PROTECTION	601 MS OHNE THERMISCHER	1
—	18710627/0	601 MS	PROTECTION	TERMIQUE	SHUTZ	1
—	18710627/0	SENZA PROT. TERMICA	603 MS WITHOUT OVERLOAD	603 MS SANS PROTECTION	603 MS OHNE THERMISCHER	1
—	18710627/0	603 MS	PROTECTION	TERMIQUE	SHUTZ	1
32	12540260/0	GROWER	GROWER	GROWER	FEDERRING	1
33	12293200/0	DADO	NUT	ECROU	MUTTER	1
34	22110275/0	TAPPO	CAP	BOUCHON	GUMMISTOPFEN	1
41	97008000/0	SACCO COMPLETO	COMPLETE GRASS-BOX	BAC COMPLET	KOMPLETTER KORB	1
42	22486069/0	PARTE INF.-SUP. SACCO	UPPER. LOWER GRASS-BOX	PARTIE SUP.-INF. SAC	OBER-UNTERKORB	2
51	97007000/0	ASS. SACCO TELA	CANVASS GRASSCATCHER	ENSEMBLE SAC EN TOILE	KOMPLETTER SACK	1
52	81006417/0	TELAIO	CHASSIS	CHASSIS	RAHMEN	1
53	81002147/0	TELA SACCO	FABRIC BOX	TOILE POUR SAC	TUCK FÜR SACK	1
—	81008592/0	DOTAZIONE VITERIA	SCREWS OUTFIT	DOTATION VISSERIE	SCHRAUBEN SATZ	1