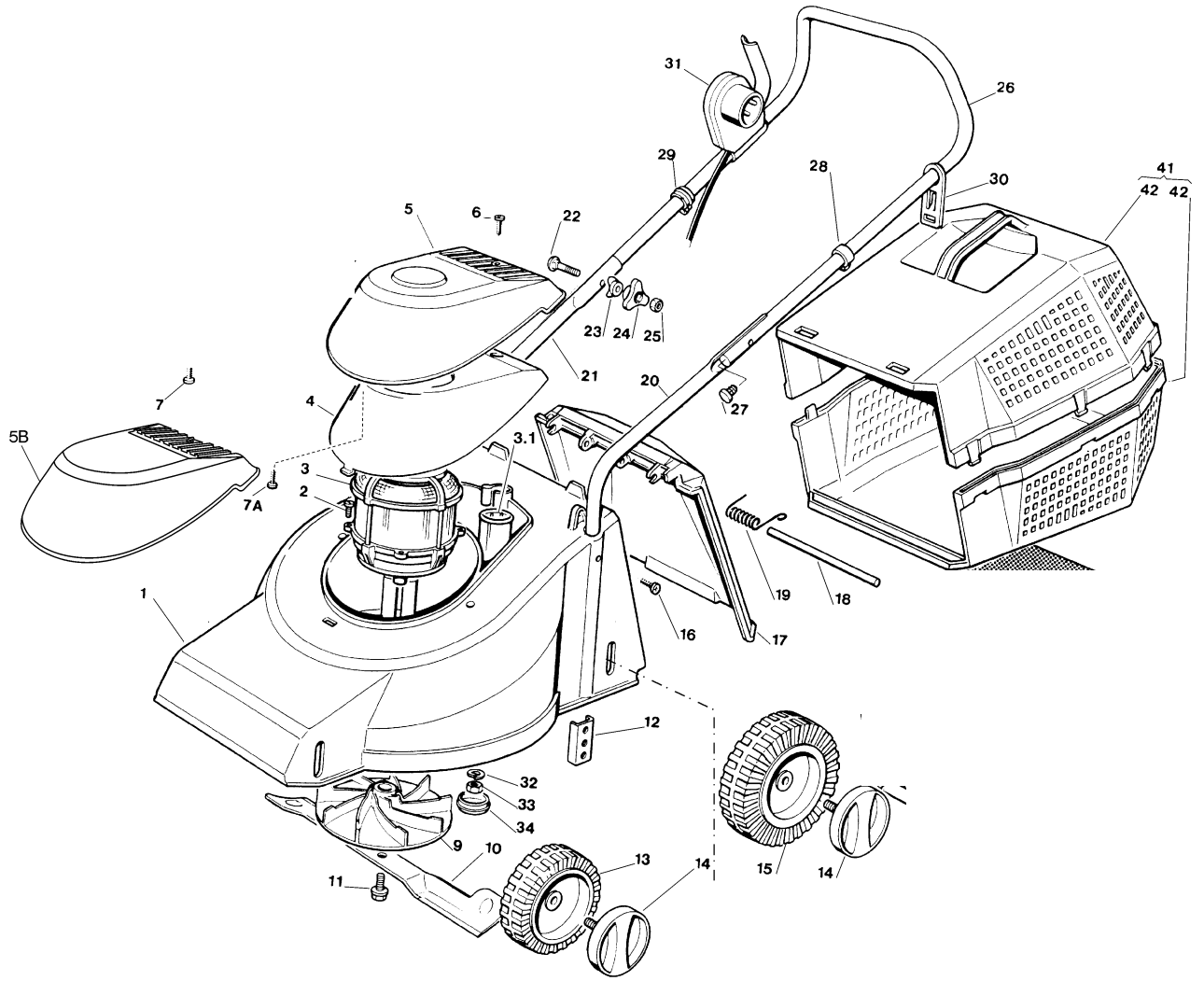


00D\_K350



00T.001

Pos.	Code	Q.ty	Descrizione	Description	Description	Beschreibung	Remarks
1	81001567/0	1	CHASSIS ROSSO	DECK RED	CHÂSSIS ROUGE	GEHÄUSE ROTES	
2	12735410/0	4	VITE	SCREW	VIS	SCHRAUBE	
3	18563011/1	1	MOTORE RST	MOTOR RST	MOTEUR RST	MOTOR RST	230-240V (800W)
4	22055029/0	1	SUPPORTO CAPOTTINA	SUPPORT, COVER	SUPPORT CAPOT	HALTER, HAUBE	



00T.001

Pos.	Code	Q.ty	Descrizione	Description	Description	Beschreibung	Remarks
5B	22055059/1	1	CAPOTTINA	COVER	CAPOT	HAUBE	
6	12728680/0	1	VITE	SCREW	VIS	SCHRAUBE	
7	12728450/0	1	VITE	SCREW	VIS	SCHRAUBE	
7A	12731601/0	1	VITE	SCREW	VIS	SCHRAUBE	
9	22465602/0	1	MOZZO	HUB	MOYEU	HALTER	
10	81004115/1	1	COLTELLO STANDARD	BLADE STANDARD	LAME STANDARD	MESSER STANDARD	
-	81004116/0	1	COLTELLO ALETTATO	BLADE WINGED	LAME AILETTÉE	MESSER FLÜGEL	
11	81004352/0	1	VITE	SCREW	VIS	SCHRAUBE	
12	22785087/1	4	SUPPORTO RUOTE	SUPPORT, WHEELS	SUPPORT ROUE	HALTER, RAD	
13	22686086/0	2	RUOTA Ø 130	WHEEL Ø 130	ROUE Ø 130	RAD Ø 130	
14							
-							
-	81004354/0	4	COPRIMOZZO ROSSO	HUB CAP RED	COUVRE-MOYEU ROUGE	RADKAPPE ROTE	
15	22686087/0	2	RUOTA Ø 160	WHEEL Ø 160	ROUE Ø 160	RAD Ø 160	
16	12728450/0	2	VITE	SCREW	VIS	SCHRAUBE	
17	22600024/1	1	PARASASSI	STONE-GUARD	PARE-PIERRES	PRALLBLECH	
18	22512530/0	1	PERNO	PIN	PIVOT	BOLZEN	
19	22450250/0	1	MOLLA	SPRING	RESSORT	FEDER	
20	81006940/0	1	MANICO, PARTE INF SX	HANDLE, L LOWER PART	MANCHERON, PARTIE INFERIEURE G	HOLM, LINKE UNTERTEIL	
21	81006939/0	1	MANICO, PARTE INF DX	HANDLE, R LOWER PART	MANCHERON, PARTIE INFERIEURE D	HOLM, RECHTE UNTERTEIL	
22	12819120/0	2	VITE	SCREW	VIS	SCHRAUBE	
23	22680006/1	2	RONDELLA	WASHER	RONDELLE	SCHEIBE	
24	22399900/0	2	MANOPOLINA	KNOB	POIGNÉE	GRIFF	
25	12293200/0	2	DADO	NUT	ECROU	MUTTER	
26	81006941/2	1	MANICO, PARTE SUP	HANDLE, UPPER PART	MANCHERON, PARTIE SUPERIEURE	HOLM, OBERTEIL	
27	18566112/0	2	PUNTALE	CAP	BOUCHON	GUMMISTOPFEN	
28	22192151/0	1	FERMACAVO	FAIRLEAD	FIXATION CABLE	KABELBEFESTIGUNG	
29	22192000/1	1	FASCETTA ANCORAGGIO	ANCHOR CLAMP	COLLIER ANCRAGE	BOWDENZUGHALTER	
30	22195101/2	1	FERMACAVO	FAIRLEAD	FIXATION CABLE	KABELBEFESTIGUNG	
31							
-							
-							
-	18710626/1	1	SALVAMOTORE - SENZA PROT. TERMICA	DEAD HAND SWITCH - WITHOUT OVERLOAD PROTECTION	INT. MAIN MORTE - SANS PROTECTION TERMIQUE	TOT MANSCHALTER - OHNE THERMISCHER SCHUTZ	601 MS
32	12540260/0	1	GROWER	GROWER	GROWER	FEDERRING	
33	12293200/0	1	DADO	NUT	ECROU	MUTTER	
34	22110275/0	1	TAPPO	CAP	BOUCHON	GUMMISTOPFEN	
41	97004000/0	1	SACCO, COMPLETO	GRASSCATCHER, COMPLETE	SAC, COMPLETE	SACK, KOMPLETTE	
42	22486040/0	2	SACCO, PARTE INF/SUP	GRASS-BOX, UPPER/LOWER PART	SAC, PARTIE INFERIEURE/SUPERIEURE	KORB, OBER/UNTERTEIL	
—	81008592/0	1	DOTAZIONE VITERIA	OUTFIT, SCREWS	DOTATION VISSERIE	SATZ, SCHRAUBEN	