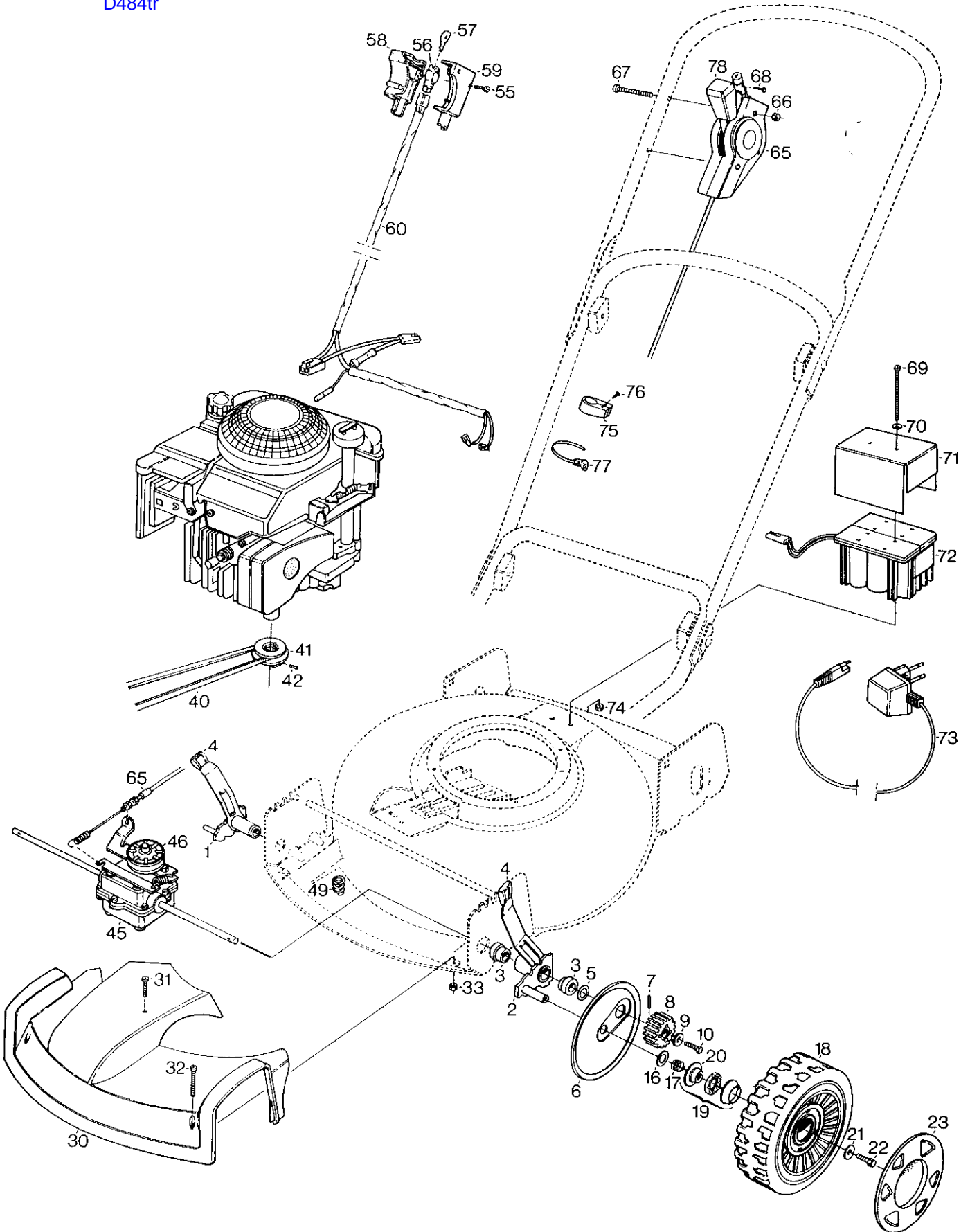


477E
SPARE PARTS

DELTA
SALES
DELTA
484
99

Utgåva Issue		Bildnr Picture No		MULTICLIP 46S-46SE CHASSI		MULTICLIP 46S-46SE CHASSIS		Sida Page	
1998-14		477E						14	
Pos. Fig.	Antal/Quantity			Art nr Part No	Benämning	Description	Sats Kit	Anmärkning Notes	
	3690	3699							
X	1	1	1	1111-9078-01	Kniv	Blade			
	6	1	1	9987-5257-12	Knivbult	Blade bolt			
	7	1	1	9696-0011-01	Bricka	Washer			
X	10	1	1	1111-9067-01	Knivfäste	Blade holder			
	11	1	1	9600-0014-00	Kil	Key			
	12	2	2	1111-0545-00	Ansatsbult	Shoulder bolt			
	13	2	2	9694-0003-00	Bricka	Washer			
	14	2	2	9699-0069-02	Planbricka	Flat washer			
	15	2	2	1111-1268-01	Axelfäste	Axle mounting			
	16	2	2	1111-1337-01	Höjdställningsspak	Control lever			
	17	1	1	1111-2549-01	• Plastknopp	• Plastic knob			
	18	2	2	1111-0497-00	Hållplåt	Hole plate			
	19	2	2	1111-2057-02	Bussning	Bushing			
	20	1	1	1111-9042-01	Hjullåsning sats	Wheel lock kit			
	20	4	4	9675-0017-02	• Starlock	• Lock washer			
	21	2	2	9595-0182-00	Spännstift	Slotted pin			
	22	1	1	1111-2526-01	Hjulaxel	Wheel axle			
	23	2	2	1111-3085-01	Navkapsel-gul	Hub cap-yellow			
	23	2	2	1111-3085-03	Navkapsel-vit	Hub cap-white			
X	23	2	2	1111-3085-06	Navkapsel-svart	Hub cap-black			
	25	2	2	9739-0831-22	Mutter	Nut			
	26	3	3	9955-3732-12	Skruv	Screw			
	27	3	3	9699-0029-02	Planbricka	Flat washer			
	30	2	2	9403-0043-70	Plugg	Plug			
	31	4	4	9747-0831-02	Låsmutter	Lock nut			
	32	4	4	9403-0113-00	Mutterhatt	Nut guard			
	33	4	4	9898-0835-12	Skruv	Screw			
	34	1	1	1111-2962-01	Styre-underdel	Handlebar-lower part			
	35	2	2	1111-9030-02	Styrbult kpl	Handle bolt kit			
	35	2	2	1111-0035-01	• Låsrott	• Locking knob			
	36	2	2	9699-0025-02	• Planbricka	• Washer			
	37	2	2	9899-3551-12	• Skruv	• Screw			
	38	2	2	1111-0178-00	• Förstärkning	• Reinforcement			
	39	1	1	1111-3062-01	Ögla	Eyelink			
	40	1	1	1111-2961-01	Styre mellandel	Handlebar-interm. part			
	41	1	1	1111-2018-01	Kabelhållare	Cable holder			
	42	1	1	9836-9216-12	Skruv	Screw			
	45	1	1	1111-3079-01	Kåpa-gul	Chassis-yellow		3690-52,72, 3699-52	
	45	1	1	1111-3079-02	Kåpa-röd	Chassis-red		3690-82, 3699-82	
X	45	1	1	1111-3079-05	Kåpa-svart	Chassis-black		3690-42	
	46	1	1	1111-2960-01	Styre-överdel	Handlebar-upper part			
	51	1	1	9948-0640-16	Skruv	Screw		L = 40 mm	
	52	1	1	9747-0631-02	Låsmutter	Lock nut			
	54	1	1	1111-2952-01	Manöverbygel	Control handle			
	55		1	1111-2968-03	Motorbromswire	Engine brake cable			
	55	1		1111-2968-05	Motorbromswire	Engine brake cable			
	56	1	1	1111-2969-01	Wirefäste	Cable attachment			
	59	2	2	1111-1180-03	Täckbricka	Wheel cover			
	60	2	2	1111-1138-01	Fjäder	Spring			
	61	2	2	1111-2665-01	Hjul kpl	Wheel assy			
	62	1	1	1111-9047-01	• Kullagersats	• Ball bearing kit			
	63	2	2	1111-1184-01	• Lagerkona	• Bearing cone			
X	95	1		1111-3186-01	Motorkåpa	Engine cover			
X	96	1		9987-4732-19	Skruv	Screw			
	97	1		9699-0099-02	Bricka	Washer			
	99	1	1	1111-2893-02	Dekalsats	Decal kit			

D484tr



478E

SPARE PARTS

Utgåva Issue		Bildnr Picture No		MULTICLIP 46S-46SE TRANSMISSION		MULTICLIP 46S-46SE TRANSMISSION		Sida Page	
1998-14		478E						16	
Pos. Fig.	Antal/Quantity			Art nr Part No	Benämning	Description	Sats Kit	Anmärkning Notes	
	3690	3699							
1	1	1		1111-2900-01	Svängarm-hö.....	Wheel mounting-R.H.....			
2	1	1		1111-2901-01	Svängarm-vå.....	Wheel mounting-L.H.....			
3	2	2		9548-0014-00	• Bronslager.....	• Bronze bearing.....			
4	1	1		1111-2549-01	• Plastknopp.....	• Plastic knob.....			
5	2	2		1111-3065-01	Distans.....	Spacer.....			
6	2	2		1111-2561-01	Täckplåt.....	Cover plate.....			
7	2	2		1111-2382-01	Cyl.pinne.....	Pin.....			
8	2	2		1111-2635-02	Kuggjul.....	Gear wheel.....			
9	2	2		9699-0100-02	Bricka.....	Washer.....			
10	2	2		9943-0612-16	Skruv.....	Screw.....			
X 16	2	2		9699-0037-02	Bricka.....	Washer.....			
17	2	2		1111-1138-01	Fjäder.....	Spring.....			
18	2	2		1111-2665-01	Hjul kpl.....	Wheel assy.....			
19	1	1		1111-9047-01	• Kullagersats.....	• Ball bearing kit.....			
20	2	2		1111-1184-01	• Lagerkona.....	• Bearing cone.....			
21	2	2		9699-0100-02	Bricka.....	Washer.....			
22	2	2		9943-0612-16	Skruv.....	Screw.....			
23	2	2		1111-3085-01	Navkapsel-gul.....	Hub cap-yellow.....			
23	2	2		1111-3085-03	Navkapsel-vit.....	Hub cap-white.....			
X 23	2	2		1111-3085-06	Navkapsel-svart.....	Hub cap-black.....			
30	1	1		1111-2633-01	Frontkåpa-gul.....	Front cover-yellow.....			
30	1	1		1111-2633-02	Frontkåpa-svart.....	Front cover-black.....			
31	1	1		9943-0530-16	Skruv.....	Screw.....		L = 30 mm	
32	2	2		9943-0540-16	Skruv.....	Screw.....		L = 40 mm	
33	2	2		9739-0531-22	Mutter.....	Nut.....			
40	1	1		1111-9062-01	Drivrem.....	V-belt.....			
41	1	1		1111-2915-01	Motorremskiva.....	Engine belt pulley.....			
42	1	1		9910-0612-16	Stoppsskruv.....	Set screw.....			
45	1	1		1111-3055-01	Transmission kpl.....	Transmission assy.....			
46	1	1		1111-3047-01	• Remskiva.....	• Belt pulley.....		För d:o	
46	1	1		9594-0055-00	• Spännstift.....	• Locating pin.....		För d:o	
49	1	1		1111-3060-01	Fjäder.....	Spring.....			
55		2		9836-9520-12	Skruv.....	Screw.....			
56		1		9400-0186-00	Tändningslås kpl.....	Starting switch assy.....			
57		1		1134-2848-01	• Tändningsnyckel.....	• Ignition key.....			
58		1		1111-2707-01	Hus.....	Housing.....			
59		1		1111-2705-01	Lock.....	Cover.....			
60		1		1111-2562-02	Kabelhärva.....	Harness.....			
65	1	1		1111-2965-03	Kopplingsreglage.....	Clutch control.....			
66	2	2		9747-0631-02	Låsmutter.....	Lock nut.....			
67	2	2		9948-0655-16	Skruv.....	Screw.....			
68	1	1		9836-9512-12	Skruv.....	Screw.....			
69		2		9865-0580-16	Skruv.....	Screw.....			
70		2		9693-0004-02	Bricka.....	Washer.....			
71		1		1111-2733-01	Hölje.....	Cover.....			
72		1		9400-0218-00	Batteri.....	Battery.....			
73		1		9400-0219-00	Batteriladdare.....	Charger.....			
74		2		9739-0531-22	Mutter.....	Nut.....			
75	1	1		1111-2018-01	Kabelhållare.....	Cable holder.....			
76	1	1		9836-9216-12	Skruv.....	Screw.....			
77	1	1		9579-0008-00	Buntband.....	Cable holder.....			
78	1	1		1111-1987-02	Knopp-svart.....	Control knob-black.....			