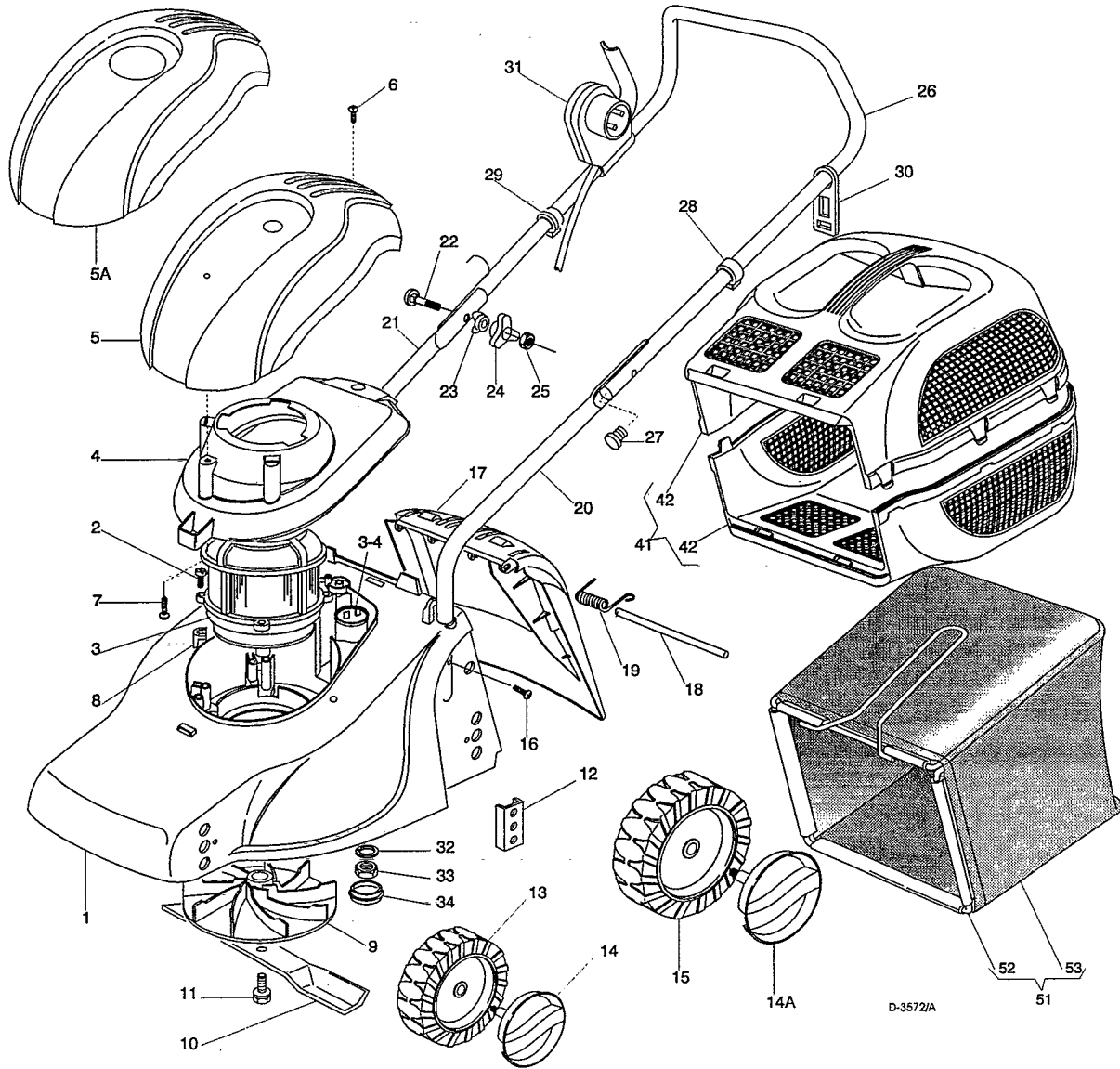


# C 350



**GB SPARE PARTS CATALOGUE**

**D ERSATZTEILKATALOG**

**I CATALOGO DELLE PARTI DI RICAMBIO**

**F CATALOGUE DES PIÈCES DE RECHANGE**

Pos. Nr.	Codice Code Kodex	Q.tà Q.ty-Q.te Menge	Descrizione	Description	Description	Beschreibung
1	81001560/0	1	CHASSIS	DECK	CHÂSSIS	GEHÄUSE
—	81001573/0	1	ROSSO	RED	ROUGE	ROTES
—	81001574/0	1	GIALLO	YELLOW	JAUNE	GELBES
—	81001574/0	1	VERDE	GREEN	VERT	GRÜNES
2	12735410/0	4	VITE	SCREW	VIS	SCHRAUBE
3	18563064/0	1	MOTORE	MOTOR	MOTEUR	MOTOR
—	18563066/0	1	IBMEI 1000W (230V)	IBMEI 1000W (230V)	IBMEI 1000W (230V)	IBMEI 1000W (230V)
—	18563066/0	1	IBMEI 1000W (240V)	IBMEI 1000W (240V)	IBMEI 1000W (240V)	IBMEI 1000W (240V)
—	18563007/1	1	RST 1000W (220-230V)	RS 1000W (220-230V)	RST 1000W (220-230V)	RST 1000W (220-230V)
3+4	18222034/0	1	CONDENSATORE 8µF	CONDENSER 8µF	CONDENSEUR 8µF	KONDENSATOR 8µF
4	22055050/1	1	SUP. CAPOTTINA	COVER SUPPORT	SUPPORT CAPOT	HAUBEHALTER
5	22055049/1	1	ASS. CAPOTTINA	COVER ASS. Y	ENS. CAPOT	KOMPLETTE HAUBE
5A	81002010/1	1	ASS. CAPOTTINA	COVER ASS. Y	ENS. CAPOT	KOMPLETTE HAUBE
6	12728680/0	1	VITE	SCREW	VIS	SCHRAUBE
7	12728450/0	1	VITE	SCREW	VIS	SCHRAUBE
8	22167700/0	4	DISTANZIALE	SPACER	ENTRETOISE	DISTANZRING

Pos. Nr.	Codice Code Kodex	Q.tà Q.ty-Q.tè Menge	Descrizione	Description	Description	Beschreibung
9	22465602/0	1	MOZZO	HUB	MOYEU	NABE
10	81004115/1	1	COLTELLO	BLADE	LAME	MESSER
—	81004116/0	1	STANDARD	STANDARD	STANDARD	STANDARD
—	81004352/0	1	ALETTATO	WINGED	AILETTÉE	FLÜGELMESSER
11	22785087/1	4	SUPP. RUOTE	SCREW	VITE	SCHRAUBE
12	22686083/0	2	RUOTA Ø 130	WHEELS SUPPORT	SUPPORT ROUE	RADHALTER
13	81004357/0	2	COPRIMOZZO	WHEEL Ø 130	ROUE Ø 130	RAD Ø 130
—	81004331/0	2	BIANCO	HUB CAP	COUVRE-MOYEU	RADKAPPE
—	81004333/0	2	GIALLO	WHITE	BLANC	WEIßE
—	81004333/0	2	ROSSO	YELLOW	JAUNE	GELBE
14A	81004333/0	2	ROSSO	RED	ROUGE	ROTE
—	81004326/0	2	BIANCO	HUB CAP	COUVRE-MOYEU	RADKAPPE
—	81004327/0	2	GIALLO	WHITE	BLANC	WEIßE
—	81004328/0	2	ROSSO	YELLOW	JAUNE	GELBE
15	22686085/0	2	RUOTA Ø 160	RED	ROUGE	ROTE
16	12728450/0	2	VITE	WHEEL Ø 160	ROUE Ø 160	RAD Ø 160
17	22600055/0	1	PARASASSI	SCREW	VIS	SCHRAUBE
18	22512530/0	1	PERNO	STONE-GUARD	PARE-PIERRES	PRALLBLECH
19	22450250/0	1	MOLLA	PIN	PIVOT	BOLZEN
20	81006940/0	1	MANICO INF. SX	SPRING	RESSORT	FEDER
21	81006939/0	1	MANICO INF. DX	L. LOWER HANDLE	MANCHERON INF. G.	L. UNTERHOLM
22	12819120/0	2	VITE	R. LOWER HANDLE	MANCHERON INF. D.	R. UNTERHOLM
23	22680006/1	2	RONDELLA	SCREW	VIS	SCHRAUBE
24	22399900/0	2	MANOPOLINA	WASHER	RONDELLE	SCHEIBE
25	12293200/0	2	DADO	KNOB	POIGNÉE	GRIFF
26	81006941/2	1	PARTE SUP. MANICO	NUT	ECROU	MUTTER
27	18566112/0	2	TAPPO	UPPER HANDLE	PARTIE SUP. MANCHERON	OBERRHOLM
28	22192151/0	1	FERMACAVO	CAP	BOUCHON	GUMMISTOPFEN
29	22192000/1	1	FASCETTA ANCORAGGIO	FAIRLEAD	FIXATION CABLE	KABELBEFESTIGUNG
30	22195101/1	1	FASCETTA ANCORAGGIO	ANCHOR CLAMP	COLLIER ANCRAGE	BOWDENZUGHALTER
31	18710629/0	1	FASCETTA ANCORAGGIO	FAIRLEAD	FIXATION CABLE	KABELBEFESTIGUNG
—	18710630/0	1	SALVAMOTORE M.M.	DEAD SWITCH HAND M.M.	INT. MAIN MORTE M.M.	TOT MANSCHALTER M.M.
—	18710631/0	1	5A 602 MS (1000W IBMEI)	5A 602 MS (1000W IBMEI)	5A 602 MS (1000W IBMEI)	5A 602 MS (1000W IBMEI)
—	18710633/0	1	5A 603 MS (1000W IBMEI)	5A 603 MS (1000W IBMEI)	5A 603 MS (1000W IBMEI)	5A 603 MS (1000W IBMEI)
—	18710631/0	1	SOLO PER SVIZZERA	ONLY FOR SWITZERLAND	SEULEMENT POUR LA SUISSE	NUR FÜR SCHWEIZ
—	18710611/1	1	5A 607 MS (1000W)	5A 607 MS (1000W)	5A 607 MS (1000W)	5A 607 MS (1000W)
—	18710625/1	1	6,5A 602 MS (1000W RST)	M.M 6,5A 602 MS (1000W RST)	M.M 6,5A 602 MS (1000W RST)	M.M 6,5A 602 MS(1000W RST)
—	18710625/1	1	6,5A 603 MS (1000W RST)	M.M 6,5A 603 MS (1000W RST)	M.M 6,5A 603 MS (1000W RST)	M.M 6,5A 603 MS(1000W RST)
—	18710626/1	1	SOLO PER SVIZZERA	ONLY FOR SWITZERLAND	SEULEMENT POUR LA SUISSE	NUR FÜR SCHWEIZ
—	18710627/0	1	SENZA PROTEZIONE TERMICA 601 MS	601 MS WITHOUT OVERLOAD PROTECTION	601 MS SANS PROTECTION TERMIQUE	601 MS OHNE THERMISCHER SCHUTZ
—	18710627/0	1	SENZA PROTEZIONE TERMICA 603 MS	603 MS WITHOUT OVERLOAD PROTECTION	603 MS SANS PROTECTION TERMIQUE	603 MS OHNE THERMISCHER SCHUTZ
32	12540260/0	1	GROWER	GROWER	GROWER	FEDERRING
33	12293200/0	1	DADO	NUT	ECROU	MUTTER
34	22110275/0	1	TAPPO	CAP	BOUCHON	GUMMISTOPFEN
41	97350000/0	1	SACCO COMPLETO	COMPLETE GRASS-BOX	BAC COMPLET	KOMPLETTER KORB
42	22486048/0	2	PARTE INF. SUP. SACCO	UPPER. LOWER GRASS-BOX	PARTIE SUP.-INF. SAC	OBER-UNTERKORB
51	97006000/0	1	ASS. SACCO TELA	CANVASS GRASSCATCHER	ENSEMBLE SAC EN TOILE	KOMPLETTER SACK
52	81006414/0	1	TELAIO	CHASSIS	CHASSIS	RAHMEN
53	81002103/0	1	TELA SACCO	FABRIC BOX	TOILE POUR SAC	TUCK FÜR SACK
—	81008592/0	1	DOTAZIONE VITERIA	SCREWS OUTFIT	DOTATION VISSERIE	SCHRAUBEN SATZ