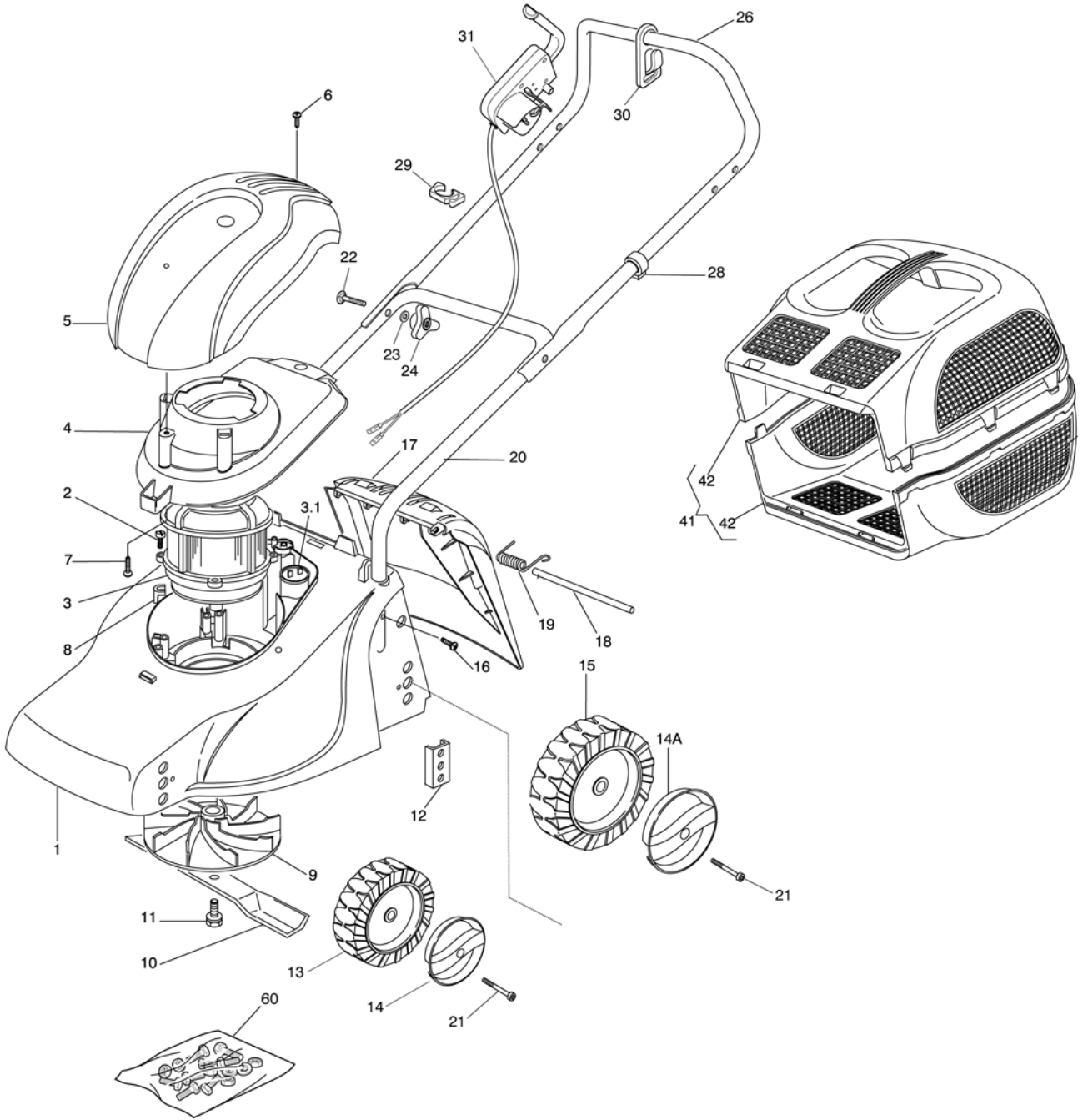


00D_C390



Pos.	Code	Q.ty	Descrizione	Description	Description	Beschreibung	Remarks
1	81001575/0	1	CHASSIS GIALLO	DECK YELLOW	CHÄSSIS JAUNE	GEHÄUSE GELB	
-	81002946/0	1	CHASSIS VERD	DECK GREEN	CHÄSSIS VERT	GEHÄUSE GRÜN	
2	12735410/0	4	VITE	SCREW	VIS	SCHRAUBE	
3	18563646/0	1	MOTORE FEVILL ELECTRIC	MOTOR FEVILL ELECTRIC	MOTEUR FEVILL ELECTRIC	MOTOR FEVILL ELECTRIC	230-240V (1300W)

Pos.	Code	Q.ty	Descrizione	Description	Description	Beshreibung	Remarks
3.1	18222037/0	1	CONDENSATORE 16 µF	CONDENSER 16 µF	CONDENSEUR 16 µF	KONDENSATOR 16 µF	
4	22055050/2	1	SUPPORTO CAPOTTINA	SUPPORT, COVER	SUPPORT CAPOT	HALTER, HAUBE	
4A	22785206/0	1	SUPPORTO CAPOTTINA	SUPPORT, COVER	SUPPORT CAPOT	HALTER, HAUBE	
5	22055049/1	1	SUPPORTO CAPOTTINA	SUPPORT, COVER	SUPPORT CAPOT	HALTER, HAUBE	
5A	22055107/0	1	CAPOTTINA, GIALLO	COVER, YELLOW	CAPOT, JAUNE	HAUBE, GELB	
-	22055106/0	1	CAPOTTINA, ROSSO	COVER RED	CAPOT, ROUGE	HAUBE, ROT	
6	12728680/0	1	VITE	SCREW	VIS	SCHRAUBE	
7	12728450/0	1	VITE	SCREW	VIS	SCHRAUBE	
8	22167700/0	4	DISTANZIALE	SPACER	ENTRETOISE	DISTANZRING	
9	22465602/0	1	MOZZO	HUB	MOYEU	HALTER	
10	81004117/1	1	COLTELLO	BLADE	LAME	MESSER	
11	81004352/0	1	VITE	SCREW	VIS	SCHRAUBE	
12	22785087/1	4	SUPPORTO RUOTE	SUPPORT, WHEELS	SUPPORT ROUE	HALTER, RAD	
13	22686083/0	2	RUOTA Ø 130	WHEEL Ø 130	ROUE Ø 130	RAD Ø 130	
14	22110469/0	2	COPRIMOZZO	HUB CAP GREEN	COUVRE-MOYEU	RADKAPPE	
14A	22110470/0	2	COPRIMOZZO	HUB CAP GREEN	COUVRE-MOYEU	RADKAPPE	
15	22686085/0	2	RUOTA Ø 160	WHEEL Ø 160	ROUE Ø 160	RAD Ø 160	
16	12728450/0	2	VITE	SCREW	VIS	SCHRAUBE	
17	22600056/2	1	PARASASSI	STONE-GUARD	PARE-PIERRES	PRALLBLECH	
18	22512601/0	1	PERNO	PIN	PIVOT	BOLZEN	
19	22450250/0	1	MOLLA	SPRING	RESSORT	FEDER	
20	81006608/0	1	MANICO INFERIORE	HANDLE, LOWER PART	MANCHERON INFERIEURE	HOLM, UNTERTEIL	
21	22524337/0	4	PERNO	PIN	PIVOT	BOLZEN	
22	12815245/0	2	VITE	SCREW	VIS	SCHRAUBE	
23	12523040/0	2	ROSETTA	WASHER	RONDELLE	SCHEIBE	
24	22399903/0	2	MANOPOLINA	KNOB	POIGNÉE	GRIF	
26	81006647/0	1	MANICO SUPERIORE	HANDLE, UPPER PART	MANCHERON SUPERIEURE	HOLM, OBERTEIL	
28	22192151/0	1	FERMACAVO	FAIRLEAD	FIXATION CABLE	KABELBEFESTIGUNG	
29	22192010/0	1	FASCETTA	CLAMP	COLLIER	BOWDENZUGHALTER	
30	22195101/4	1	FERMACAVO	FAIRLEAD	FIXATION CABLE	KABELBEFESTIGUNG	
31	81600500/1	1	SALVAMOTORE	DEAD HAND SWITCH			
60	81008668/0	1		OUTFIT, SCREWS			
41	97390000/0	1	SACCO, COMPLETO	GRASSCATCHER, COMPLETE	SAC, COMPLETE	SACK, KOMPLETTE	
42	22486049/0	2	SACCO, PARTE INF/SUP	GRASS-BOX, UPPER/LOWER PART	SAC, PARTIE INFERIEURE/SUPERIEURE	KORB, OBER/UNTERTEIL	