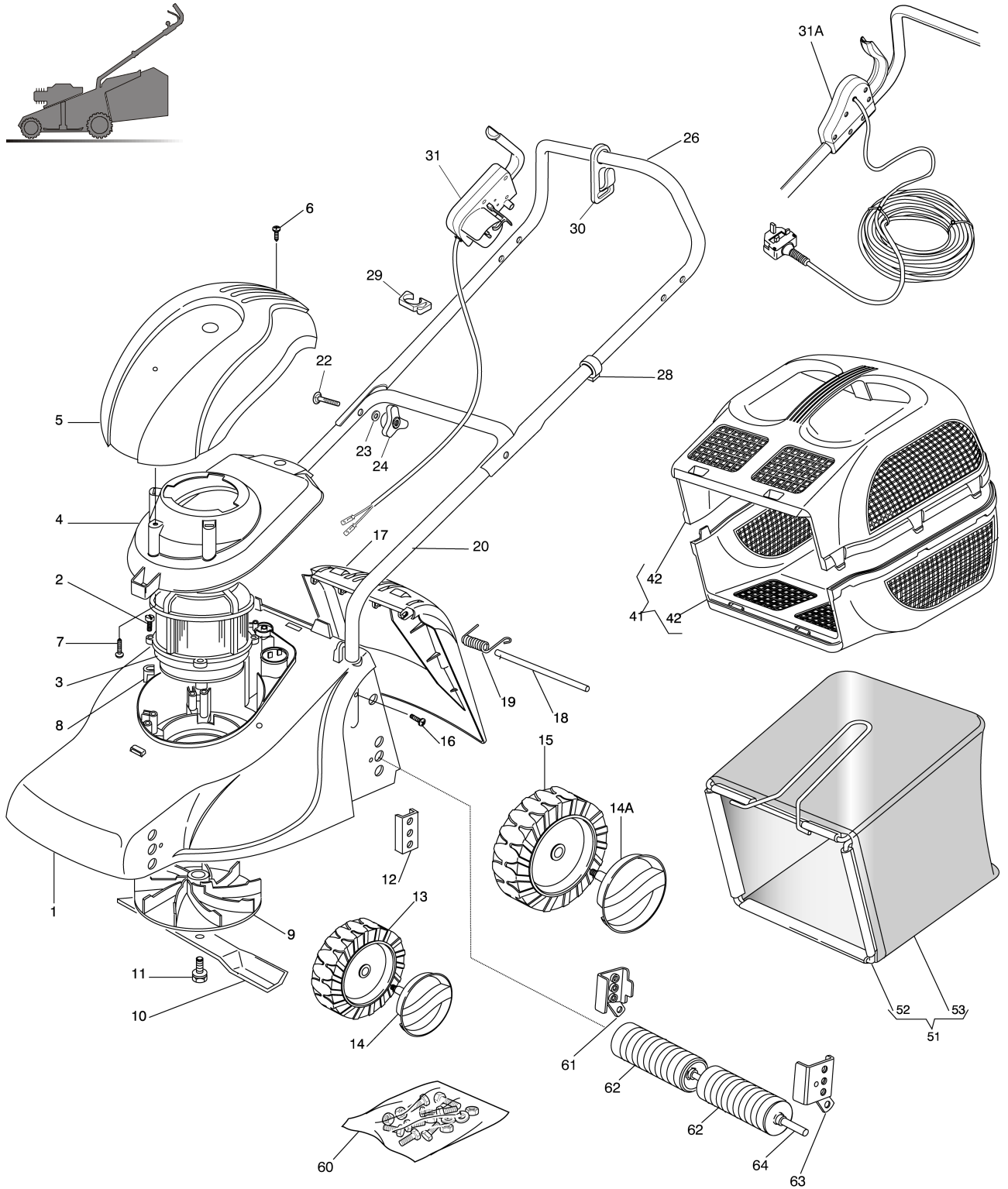


00D\_C350



| Pos. | Code       | Q.ty | Descrizione            | Description           | Description            | Beschreibung          | Remarks          |
|------|------------|------|------------------------|-----------------------|------------------------|-----------------------|------------------|
| 1    | 81001573/0 | 1    | CHASSIS GIALLO         | DECK YELLOW           | CHÂSSIS JAUNE          | GEHÄUSE GELB          |                  |
| -    | 81001560/0 | 1    | CHASSIS ROSSO          | DECK RED              | CHÂSSIS ROUGE          | GEHÄUSE ROT           |                  |
| -    | 81001574/0 | 1    | CHASSIS VERDE          | DECK GREEN            | CHÂSSIS VERT           | GEHÄUSE GRÜN          |                  |
| 2    | 12735410/0 | 4    | VITE                   | SCREW                 | VIS                    | SCHRAUBE              |                  |
| 3    | 18563632/0 | 1    | MOTORE FEVILL ELECTRIC | MOTOR FEVILL ELECTRIC | MOTEUR FEVILL ELECTRIC | MOTOR FEVILL ELECTRIC | 230-240V (1000W) |
| 4    | 22055050/2 | 1    | SUPPORTO CAPOTTINA     | SUPPORT, COVER        | SUPPORT CAPOT          | HALTER, HAUBE         |                  |
| 5    | 22055049/1 | 1    | CAPOTTINA              | COVER                 | CAPOT                  | HAUBE                 |                  |
| 6    | 12728680/0 | 1    | VITE                   | SCREW                 | VIS                    | SCHRAUBE              |                  |
| 7    | 12728450/0 | 1    | VITE                   | SCREW                 | VIS                    | SCHRAUBE              |                  |

## GLOBAL GARDEN PRODUCTS

| Pos. | Code       | Q.ty | Descrizione             | Description                    | Description                       | Beshreibung          | Remarks           |
|------|------------|------|-------------------------|--------------------------------|-----------------------------------|----------------------|-------------------|
| 8    | 22167700/0 | 4    | DISTANZIALE             | SPACER                         | ENTRETOISE                        | DISTANZRING          |                   |
| 9    | 22465602/0 | 1    | MOZZO                   | HUB                            | MOYEU                             | HALTER               |                   |
| 10   | 81004115/1 | 1    | COLTELLO STANDARD       | BLADE STANDARD                 | LAME STANDARD                     | MESSER STANDARD      |                   |
| 11   | 81004352/0 | 1    | VITE                    | SCREW                          | VIS                               | SCHRAUBE             |                   |
| 12   | 22785087/1 | 4    | SUPPORTO RUOTE          | SUPPORT, WHEELS                | SUPPORT ROUE                      | HALTER, RAD          |                   |
| 13   | 22686083/0 | 2    | RUOTA Ø 130             | WHEEL Ø 130                    | ROUE Ø 130                        | RAD Ø 130            |                   |
| 14   | 81004357/0 | 2    | COPRIMOZZO BIANCO       | HUB CAP WHITE                  | COUVRE-MOYEU BLANC                | RADKAPPE WEIßE       |                   |
| -    | 81004331/0 | 2    | COPRIMOZZO GIALLO       | HUB CAP YELLOW                 | COUVRE-MOYEU JAUNE                | RADKAPPE GELBE       |                   |
| -    | 81004333/0 | 2    | COPRIMOZZO ROSSO        | HUB CAP RED                    | COUVRE-MOYEU ROUGE                | RADKAPPE ROTE        |                   |
| 14A  | 81004326/0 | 2    | COPRIMOZZO BIANCO       | HUB CAP WHITE                  | COUVRE-MOYEU BLANC                | RADKAPPE WEIßE       |                   |
| -    | 81004327/0 | 2    | COPRIMOZZO GIALLO       | HUB CAP YELLOW                 | COUVRE-MOYEU JAUNE                | RADKAPPE GELBE       |                   |
| -    | 81004328/0 | 2    | COPRIMOZZO ROSSO        | HUB CAP RED                    | COUVRE-MOYEU ROUGE                | RADKAPPE ROTE        |                   |
| 15   | 22686085/0 | 2    | RUOTA Ø 160             | WHEEL Ø 160                    | ROUE Ø 160                        | RAD Ø 160            |                   |
| 16   | 12728450/0 | 2    | VITE                    | SCREW                          | VIS                               | SCHRAUBE             |                   |
| 17   | 22600055/1 | 1    | PARASASSI               | STONE-GUARD                    | PARE-PIERRES                      | PRALLBLECH           |                   |
| 18   | 22512530/0 | 1    | PERNO                   | PIN                            | PIVOT                             | BOLZEN               |                   |
| 19   | 22450250/0 | 1    | MOLLA                   | SPRING                         | RESSORT                           | FEDER                |                   |
| 20   | 81006608/0 | 1    | MANICO, PARTE INF       | HANDLE, LOWER PART             | MANCHERON, PARTIE INFERIEURE      | HOLM, UNTERTEIL      |                   |
| 22   | 12815245/0 | 2    | VITE                    | SCREW                          | VIS                               | SCHRAUBE             |                   |
| 23   | 12523040/0 | 2    | ROSETTA                 | WASHER                         | RONDELLE                          | SCHEIBE              |                   |
| 24   | 22399903/0 | 2    | MANOPOLINA              | KNOB                           | POIGNÉE                           | GRIF                 |                   |
| 26   | 81006647/0 | 1    | MANICO, PARTE SUP       | HANDLE, UPPER PART             | MANCHERON, PARTIE SUPERIEURE      | HOLM, OBERTEIL       |                   |
| 28   | 22192151/0 | 1    | FERMACAVO               | FAIRLEAD                       | FIXATION CABLE                    | KABELBEFESTIGUNG     |                   |
| 29   | 22192010/1 | 1    | FASCETTA                | CLAMP                          | COLLIER                           | BOWDENZUGHALTER      |                   |
| 30   | 22195101/3 | 1    | FERMACAVO               | FAIRLEAD                       | FIXATION CABLE                    | KABELBEFESTIGUNG     |                   |
| 31   | -          | 1    | SALVAMOTORE             | DEAD HAND SWITCH               | INT. MAIN MORTE                   | TOT MANSCHALTER      | (SEE ENCLOSURE 1) |
| 31A  | -          | 1    | SALVAMOTORE             | DEAD HAND SWITCH               | INT. MAIN MORTE                   | TOT MANSCHALTER      | (SEE ENCLOSURE 1) |
| 41   | 97350000/0 | 1    | SACCO, COMPLETO         | GRASSCATCHER, COMPLETE         | SAC, COMPLETE                     | SACK, KOMPLETTE      |                   |
| 42   | 22486048/0 | 2    | SACCO, PARTE INF/SUP    | GRASS-BOX, UPPER/LOWER PART    | SAC, PARTIE INFERIEURE/SUPERIEURE | KORB, OBER/UNTERTEIL |                   |
| 51   | 97005000/0 | 1    | SACCO IN TELA, COMPLETO | GRASSCATCHER, CANVASS COMPLETE | SAC EN TOILE, COMPLETE            | SACK, KOMPLETTE      |                   |
| 52   | 81006414/0 | 1    | TELAIO SACCO            | CHASSIS BOX                    | CHÂSSIS BAC                       | RAHMEN SACK          |                   |
| 53   | 81002103/0 | 1    | SACCO, TELA             | BOX, FABRIC                    | SAC, TOILE                        | SACK, TUCK           |                   |
| 60   | 81008659/0 | 1    | DOTAZIONE VITERIA       | OUTFIT, SCREWS                 | DOTATION VISSERIE                 | SATZ, SCHRAUBEN      |                   |

## VARIANTE ROLLER - ROLLER MODIFICATION - MODIFICATION ROLLER - ÄNDERUNG ROLLER

| Pos. | Code       | Q.ty | Descrizione       | Description      | Description        | Beshreibung        | Remarks |
|------|------------|------|-------------------|------------------|--------------------|--------------------|---------|
| 61   | 81005097/1 | 1    | SUPPORTO RUOTA DX | SUPPORT, R WHEEL | SUPPORT ROUE DROIT | HALTER, RAD R      |         |
| 62   | 22670010/1 | 2    | ROLLER            | ROLLER           | ROLLER             | ROLLER             |         |
| 63   | 81005099/1 | 1    | SUPPORTO RUOTA SX | SUPPORT, L WHEEL | SUPPORT, G ROUE    | HALTER, RAD LINKER |         |
| 64   | 22519805/1 | 1    | PERNO ROLLER      | PIN, ROLLER      | PIVOT, ROLLER      | BOLZEN, ROLLER     |         |