



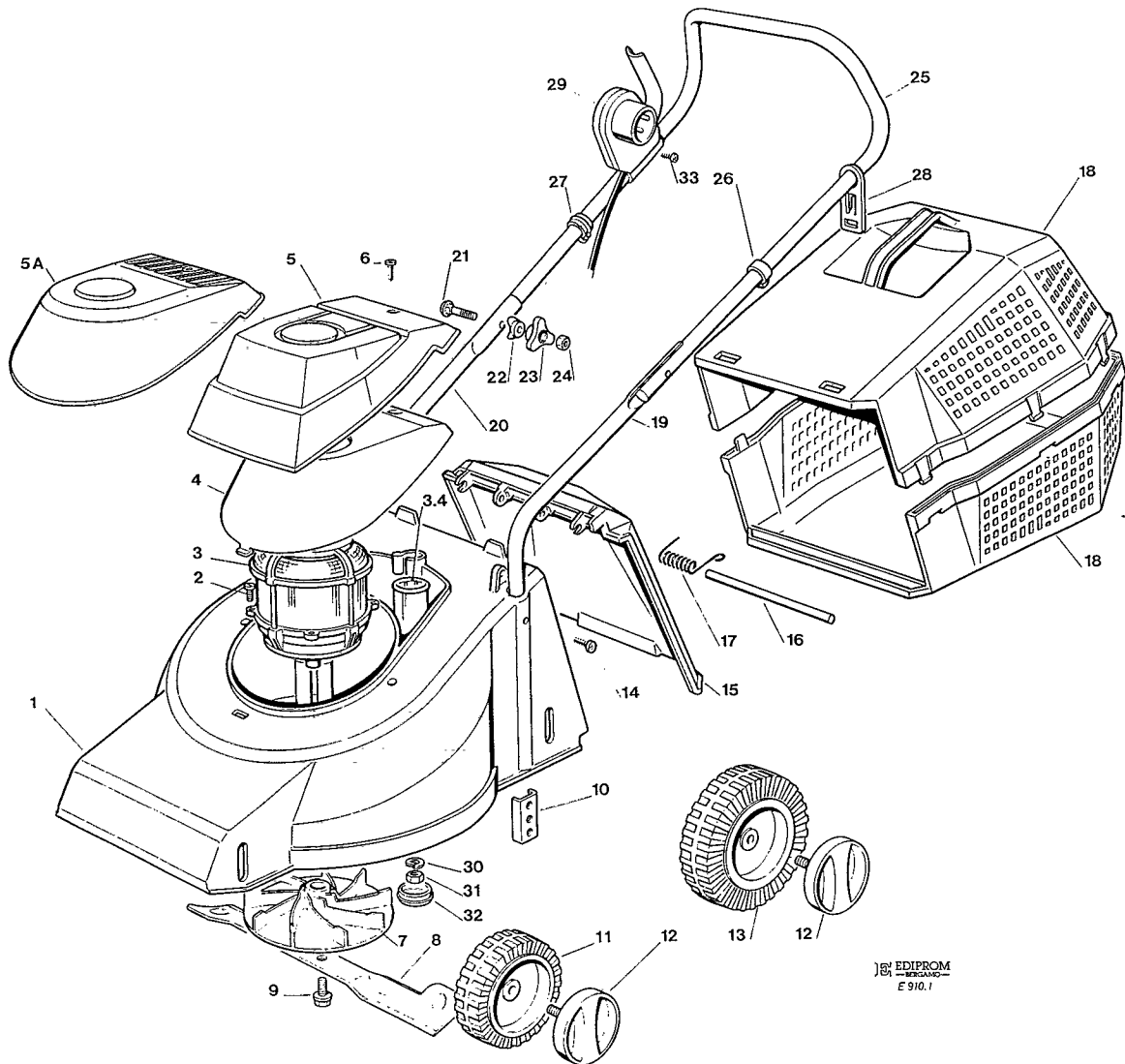
BINGO

5004K 1993

VISTE ESPLOSE
EXPLODED VIEWS
VUES ECLATEES
SPRENGZEICHNUNGEN

B 390

Mod. 1993



EDIPROM
E 910.1

Pos. Nr.	Codice Kodex Code	Descrizione	Description	Description	Beschreibung	Q.tà Q.ty Q.té Menge
1	81001480/0	ASS. CHASSIS VERDE	DECK ASS'Y GREEN	ENS. CHASSIS VERT	GEHAUSE SATZ GUEN	1
1A	81001481/0	ASS. CHASSIS ROSSO	DECK ASS'Y RED	ENS. CHASSIS ROUGE	GEHAUSE SATZ ROT	1
1B	81001482/0	ASS. CHASSIS GIALLO	DECK ASS'Y YELLOW	ENS. CHASSIS JAUNE	GEHAUSE SATZ GELB	1
2	12735410/0	VITE	SCREW	VIS	SCHRAUBE	4
3	18563050/0	MOTORE IBMEI 1100V (220V) C/F	IBMEI MOTOR 1100V (220V) W/B	MOTEUR IBMEI 1100V (220V) A/F	MOTOR IBMEI 1100V (220V) M/B	1
3A	18398015/2	FLANGIA INF.	LOWER FLANGE	BRIDE INF	UNTERFLANSCH	1
3B	18398025/3	FLANGIA SUP.	UPPER FLANGE	BRIDE SUP.	OBERFLANSCH	1
3-4	18222036/0	CONDENSATORE	CONDENSER	CONDENSATEUR	KONDENSATOR	1
4	22055032/0	SUP. CAPOTTINA	COVER SUPPORT	SUPPORT CAPOT	HAUBEHALTER	1
5	81002007/0	ASS. COPOTTINA	COVER ASS'Y	ENS. CAPOT	KOMPLETTE HAUBE	1
5A	81002006/0	ASS. CAPOTTINA	COVER ASS'Y	ENS. CAPOT	KOMPLETTE HAUBE	1
6	12728680/0	VITE	SCREW	VIS	SCHRAUBE	1
7	22465602/0	MOZZO	HUB	MOYEU	HALTER	1
8	81004117/0	COLTELLO	BLADE	LAME	MESSER	1
9	81004352/0	VITE	SCREW	VIS	SCHRAUBE	1
10	22785087/1	SUPP. RUOTE	WHEELS SUPPORT	SUPPORT ROUES	RAEDEHALTER	4
11	22686081/0	RUOTA Ø130	WHEEL Ø130	ROUE Ø130	RAD Ø130	2
12	81004348/0	COPRIMOZZO BIANCO	HUB COVER WHITE	COUVRE-MOYEU BLANCHE	RADKAPPE WEIß	4
12A	81004347/0	COPRIMOZZO GIALLO	YELLOW HUB CAP	COUVRE-MOYEU-JOUNE	RADKAPPE GELB	4
13	22686082/0	RUOTA Ø160	WHEEL Ø160	ROUE Ø160	RAD Ø160	2
14	12728450/0	VITE	SCREW	VIS	SCHRAUBE	2
15	22600044/0	PARASSASSI	STONE GUARD	PARE PIERRES	PRALLBLECH	1
30	12540060/0	GROWER	GROWER	GROWER	FEDERRING	1
31	12293200/0	DADO	NUT	ECROU	NUTTER	1
32	22110275/0	TAPPO	CAP	BOUCHON	GUMMISTOPFEN	1



CASTEL GARDEN EQUIPMENT spa

I - 31033 CASTELFRANCO VENETO - ITALY
TF (0423) 493161 - TX 433359 GARDEN ITALY
FAX (0423) 498404

CN 71503058/0
Printed in Italy, by TYP'O

Pos. Nr.	Codice Kodex Code	Descrizione	Description	Description	Beschreibung	Q.tà Q.ty Q.tè Menge
16	22512601/0	PERNO	PIN	PIVOT	BOLZEN	1
17	22450250/0	MOLLA	SPRING	RESSORT	FEDER	1
18	22486069/0	PARTE INF.-SUP. SACCO	UPPER.LOWER HANDLE	PARTIE SUP.-INF. BAC	OBER-UNTERKORB	2
19	81006940/0	MANICO INF. SX	L. LOWER HANDLE	MANCHERON INF. G.	L. UNTERHOLM	1
20	81006939/0	MANICO INF. DX	R. LOWER HANDLE	MANCHERON INF. D.	R. UNTERHOLM	1
21	12819120/0	VITE	SCREW	VIS	SCHRAUBE	2
22	22680006/1	RONDELLA	WASHER	RONDELLE	SCHEIBE	2
23	22399900/0	MANOPOLINA	KNOB	POIGNEE	GRIFF	2
24	12293200/0	DADO	NUT	ECROU	MUTTER	2
25	81006941/0	PARTE SUP. MANICO	UPPER HANDLE	PARTIE SUP. MANCHERON	OBERHOLM	1
26	22192150/0	FERMACAVO	FAIRLEAD	FIXATION CABLE	KABELBEFESTIGUNG	1
27	22192000/1	FASCETTA ANCORAGGIO	ANCHOR CLAMP	BANDE ANCRGE GAINÉ	BOWDENZUGHALTER	1
28	22195101/1	FERMACAVO	FAIRLEAD	FIXATION CABLE	KABELBEFESTIGUNG	1
29	187105061/0	SALVAMOTORE MM CEE 7 AMP. (220/240V)	MOTOR PROTECTION MM CEE 7 AMP. (220/240V)	PROTEGE MOTEUR MM CEE 7 AMP. (220/240V)	MOTORSCHUTZSCHALTER MM CEE 7 AMP. (220/240V)	1
29A	18710608/0	SALVAMOTORE MM SEV 7 AMP (220V)	MOTOR PROTECTION MM SEV 7 AMP (220V)	PROTEGE MOTEUR MM SEV 7 AMP (220V)	MOTORSCHUTZSCHALTER 7 AMP (220V)	1
33	12727970/0	VITE	SCREW	VIS	SCHRAUBE	2
—	81008592/0	DOTAZIONE VITERIA	SCREWS OUTFIT	DOTATION VISSERIE	SCHRAUBEN SATZ	1