

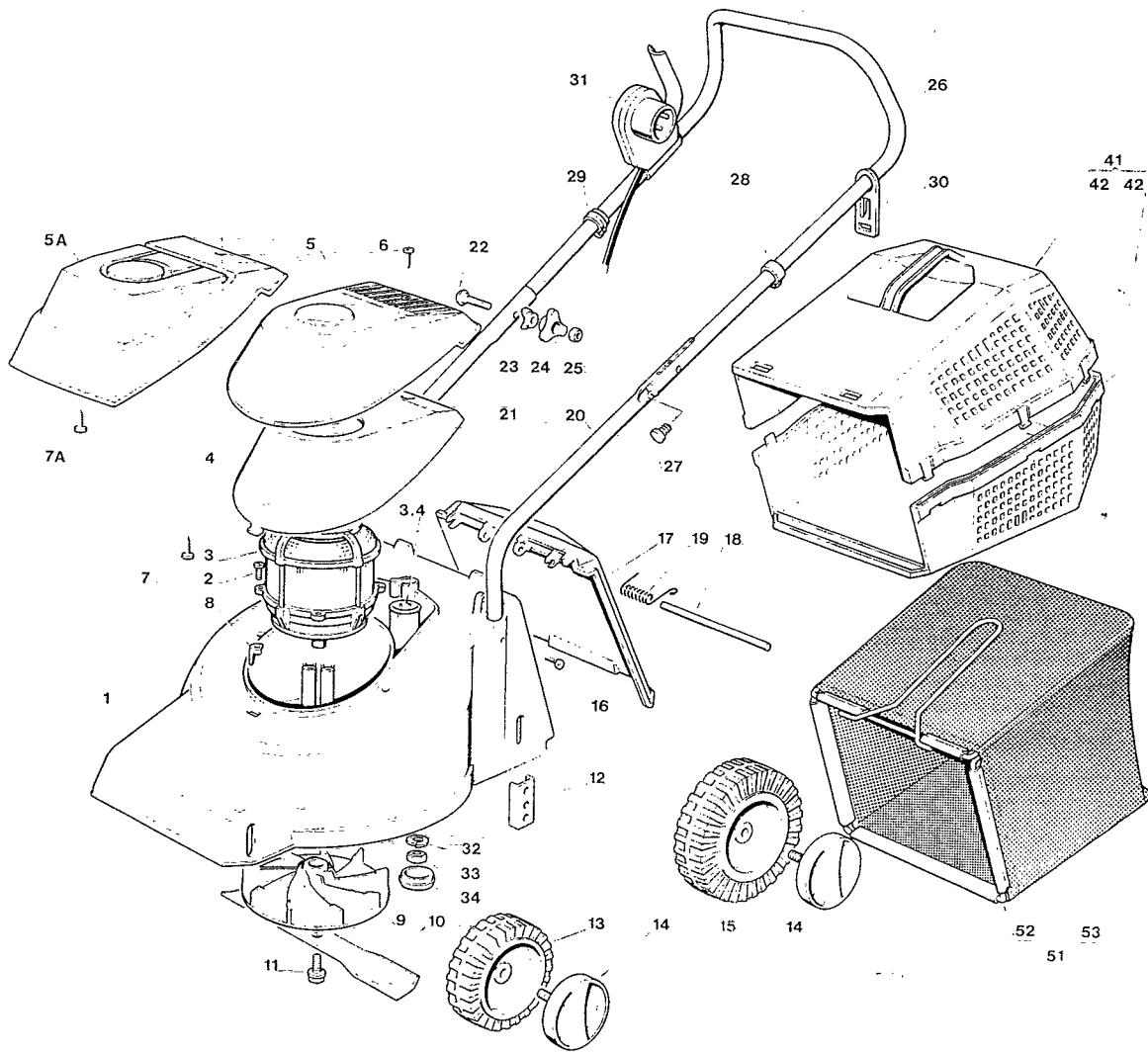
VISTE ESPLOSE
EXPLODED VIEWS

VUES ECLATEES
SPRENGZEICHNUNGEN

Flash

B 350
K 350
K 350 R
B 350 S

Mod. 1995



| Pos. Nr. | Codice Kodex Code | Descrizione | Description | Description | Beschreibung | Q.tà Q.ty Q.té Menge |
|----------|-------------------|-------------------------------|------------------------------|-------------------------------|------------------------------|-------------------------------|
| 1 | 81001036/1 | ASS. CHASSIS ROSSO | DECK ASS Y RED | ENS. CHASSIS ROUGE | GEHAUSE SATZ ROT | 1 |
| | 81001037/1 | ASS. CHASSIS GIALLO | DECK ASS Y YELLOW | ENS. CHASSIS JAUNE | GEHAUSE SATZ GELB | 1 |
| | 81001015/1 | ASS. CHASSIS VERDE | DECK ASS Y GREEN | ENS. CHASSIS VERT | GEHAUSE SATZ GUEN | 1 |
| 2 | 12735410/0 | VITE | SCREW | VIS | SCHRAUBE | 4 |
| 3 | 18563034/2 | MOTORE IBMEI 800W (220-230V) | IBMEI MOTOR 800W (220-230V) | MOTEUR IBMEI 800W (220-230V) | MOTOR IBMEI 800W (220-230V) | 1 |
| | 18563040/2 | MOTORE IBMEI 800W (240V) | IBMEI MOTOR 800W (240V) | MOTEUR IBMEI 800W (240V) | MOTOR IBMEI 800W (240V) | 1 |
| | 18563007/0 | MOTORE RST 900W (220-230V) | RST MOTOR 900W (220-230V) | MOTEUR RST 900W (220-230V) | MOTOR RST 900W (220-230V) | 1 |
| | 18563050/0 | MOTORE IBMEI 1100W (220-230V) | IBMEI MOTOR 1100W (220-230V) | MOTEUR IBMEI 1100W (220-230V) | MOTOR IBMEI 1100W (220-230V) | 1 |
| | 18563051/0 | MOTORE IBMEI 1100W (240V) | IBMEI MOTOR 1100W (240V) | MOTEUR IBMEI 1100W (240V) | MOTOR IBMEI 1100W (240V) | 1 |
| 3-4 | 18222034/0 | CONDENSATORE 8µF | CONDENSER 8µF | CONDENSEUR 8µF | KONDENSATOR 8µF | 1 |
| 4 | 22055032/0 | SUP. CAPOTTINA | COVER SUPPORT | SUPPORT CAPOT | HAUBEHALTER | 1 |
| 5 | 81002006/0 | ASS. CAPOTTINA | COVER ASS Y | ENS. CAPOT | KOMPLETTE HAUBE | 1 |
| 5A | 81002007/0 | ASS. CAPOTTINA | COVER ASS Y | ENS. CAPOT | KOMPLETTE HAUBE | 1 |
| 6 | 12728680/0 | VITE | SCREW | VIS | SCHRAUBE | 1 |
| 7 | 12728450/0 | VITE | SCREW | VIS | SCHRAUBE | 1 |
| 7A | 12728680/0 | VITE | SCREW | VIS | SCHRAUBE | 1 |
| 8 | 22167700/0 | DISTANZIALE | SPACER | ENTRETROISE | DISTANZRING | 4 |
| 9 | 22465602/0 | MOZZO | HUB | MOYEU | HALTER | 1 |
| 10 | 81004115/0 | COLTELLO STANDARD | STANDARD BLADE | LAME STANDARD | STANDARD MESSER | 1 |
| | 81004116/0 | COLTELLO ALETTATO | WINGS BLADE | LAME A AILETTES | FLUEGEL MESSER | 1 |
| 11 | 81004352/0 | VITE | SCREW | VIS | SCHRAUBE | 1 |
| 12 | 22785087/1 | SUPP. RUOTE | WHEELS SUPPORT | SUPPORT ROUE | RADHALTER | 4 |

| Pos. Nr. | Codice Kodex Code | Descrizione | Description | Description | Beschreibung | Q.tà Q.ty Q.tè Menge |
|----------|-------------------|---|--|---|--|-------------------------------|
| 13 | 22686081/0 | RUOTA Ø 130 | WHEEL Ø 130 | ROUE Ø 130 | RAD Ø 130 | 2 |
| 14 | 81004348/0 | COPRIMOZZO BIANCO | HUB COVER WHITE | COUVRE-MOYEU BLANCHE | RADKAPPE WEIB | 4 |
| | 81004347/0 | COPRIMOZZO GIALLO | HUB COVER YELLOW | COUVRE-MOYEU JOUNE | RADKAPPE GELB | 4 |
| 15 | 22686082/0 | RUOTA Ø 160 | WHEEL Ø 160 | ROUE Ø 160 | RAD Ø 160 | 2 |
| 16 | 12728450/0 | VITE | SCREW | VIS | SCHRAUBE | 2 |
| 17 | 22600024/0 | PARASSASSI | STONE-GUARD | PARE-PIERRES | FRALLBLECH | 1 |
| 18 | 22512530/0 | PERNO | PIN | PIVOT | BOLZEN | 1 |
| 19 | 22450250/0 | MOLLA | SPRING | RESSORT | FEDER | 1 |
| 20 | 81006940/0 | MANICO INF. SX | L LOWER HANDLE | MANCHERON INF G | L UNTERHOLM | 1 |
| 21 | 81006939/0 | MANICO INF. DX | R LOWER HANDLE | MANCHERON INF D | R UNTERHOLM | 1 |
| 22 | 12819120/0 | VITE | SCREW | VIS | SCHRAUBE | 2 |
| 23 | 22680006/1 | RONDELLA | WASHER | RONDELLE | SCHEIBE | 2 |
| 24 | 22399900/0 | MANOPOLINA | KNOB | POIGNÉE | GRIFT | 2 |
| 25 | 12293200/0 | DADO | NUT | ECROU | MUTTER | 2 |
| 26 | 81006941/0 | PARTIE SUP. MANICO | UPPER HANDLE | PARTIE SUP. MANCHERON | HOLMOBERTEIL | 1 |
| 27 | 18566112/0 | TAPPO | CAP | BOUCHON | GUMMISTOPFEN | 2 |
| 28 | 22192150/0 | FERMACAVO | FAIRLEAD | FIXATION CABLE | KABELBEFESTIGUNG | 1 |
| 29 | 22192000/1 | FASCETTA ANCORAGGIO | ANCHOR CLAMP | COLLIER ANCRAGE | BOWDENZUGHALTER | 1 |
| 30 | 22195101/1 | FERMACAVO | FAIRLEAD | FIXATION CABLE | KABELBEFESTIGUNG | 1 |
| 31 | 18710606/0 | SALVAMOTORE M.M. 3.6 AMP. 602 MS (800W IBMEI) | DEAD HAND SWITCH 3.6 AMP. 602 MS (800W IBMEI) | INT. MAIN MORTE 3.6 AMP. 602 MS (800W IBMEI) | TOT MANSCHALTER 3.6 AMP. 602 MS (800W IBMEI) | 1 |
| -- | 18710615/0 | SALVAMOTORE M.M. 3.6 AMP. 607 MS (800W IBMEI) | DEAD HAND SWITCH 3.6 AMP. 607 MS (800W IBMEI) | INT. MAIN MORTE 3.6 AMP. 607 MS (800W IBMEI) | TOT MANSCHALTER 3.6 AMP. 607 MS (800W IBMEI) | 1 |
| -- | 18710607/0 | SALVAMOTORE M.M. 3.6 AMP. 603 MS (800W IBMEI) | DEAD HAND SWITCH 3.6 AMP. 603 MS (800W IBMEI) | INT. MAIN MORTE 3.6 AMP. 603 MS (800W IBMEI) | TOT MANSCHALTER 3.6 AMP. 603 MS (800W IBMEI) | 1 |
| -- | 18710611/0 | SOLO PER SVIZZERA SALVAMOTORE M.M. 6.5 AMP. 602 MS (900W RST) | ONLY FOR SWITZERLAND DEAD HAND SWITCH 6.5 AMP. 602 MS (900W RST) | SEULEMENT POUR LA SUISSE INT. MAIN MORTE 6.5 AMP. 602 MS (900W RST) | TOT MANSCHALTER 6.5 AMP. 602 MS (900W RST) | 1 |
| -- | 18710625/0 | SOLO PER SVIZZERA SALVAMOTORE M.M. 6.5 AMP. 603 MS (900W RST) | ONLY FOR SWITZERLAND DEAD HAND SWITCH 6.5 AMP. 603 MS (900W RST) | SEULEMENT POUR LA SUISSE INT. MAIN MORTE 6.5 AMP. 603 MS (900W RST) | TOT MANSCHALTER 6.5 AMP. 603 MS (900W RST) | 1 |
| -- | 18710618/0 | SOLO PER SVIZZERA SALVAMOTORE M.M. 6.5 AMP. 695 MS (900W RST) | ONLY FOR SWITZERLAND DEAD HAND SWITCH 6.5 AMP. 695 MS (900W RST) | SEULEMENT POUR LA SUISSE INT. MAIN MORTE 6.5 AMP. 695 MS (900W RST) | NUR FÜR SCHWEIZ TOT MANSCHALTER 6.5 AMP. 695 MS (900W RST) | 1 |
| -- | 18710561/0 | SALVAMOTORE M.M. 7 AMP. 602 MS (1100W IBMEI) | DEAD HAND SWITCH 7 AMP. 602 MS (1100W IBMEI) | INT. MAIN MORTE 7 AMP. 602 MS (1100W IBMEI) | TOT MANSCHALTER 7 AMP. 602 MS (1100W IBMEI) | 1 |
| -- | 18710620/0 | SALVAMOTORE M.M. 7 AMP. 607 MS (1100W IBMEI) | DEAD HAND SWITCH 7 AMP. 607 MS (1100W IBMEI) | INT. MAIN MORTE 7 AMP. 607 MS (1100W IBMEI) | TOT MANSCHALTER 7 AMP. 607 MS (1100W IBMEI) | 1 |
| -- | 18710608/0 | SALVAMOTORE M.M. 7 AMP. 603 MS (1100W IBMEI) | DEAD HAND SWITCH 7 AMP. 603 MS (1100W IBMEI) | INT. MAIN MORTE 7 AMP. 603 MS (1100W IBMEI) | TOT MANSCHALTER 7 AMP. 603 MS (1100W IBMEI) | 1 |
| 32 | 12640060/0 | GROWER | GROWER | GROWER | FEDERRING | 1 |
| 33 | 12293200/0 | DADO | NUT | ECROU | MUTTER | 1 |
| 34 | 22110275/0 | TAPPO | CAP | BOUCHON | GUMMISTOPFEN | 1 |
| 41 | 97004000/0 | SACCO COMPLETO | COMPLETE GRASS-BOX | BAC COMPLET | KOMPLETTER KORB | 1 |
| 42 | 22486040/0 | PARTIE INF.-SUP. SACCO | UPPER LOWER GRASS-BOX | PARTIE SUP.-INF. SAC | OBER-UNTERKORB | 2 |
| 51 | 97006000/0 | ASS. SACCO TELA | CANVASS GRASSCATCHER | ENSEMBLE SAC EN TOILE | KOMPLETTER SACK | 1 |
| 52 | 81006414/0 | TELAIO | CHASSIS | CHASSIS | RAHMEN | 1 |
| 53 | 81002103/0 | SACCO TELA | FABRIC BOX | TOILE POUR SAC | TUCK FÜR SACK | 1 |
| -- | 81008592/0 | DOTAZIONE VITERIA | SCREWS OUTFIT | DOTATION VISSERIE | SCHRAUBEN SATZ | 1 |