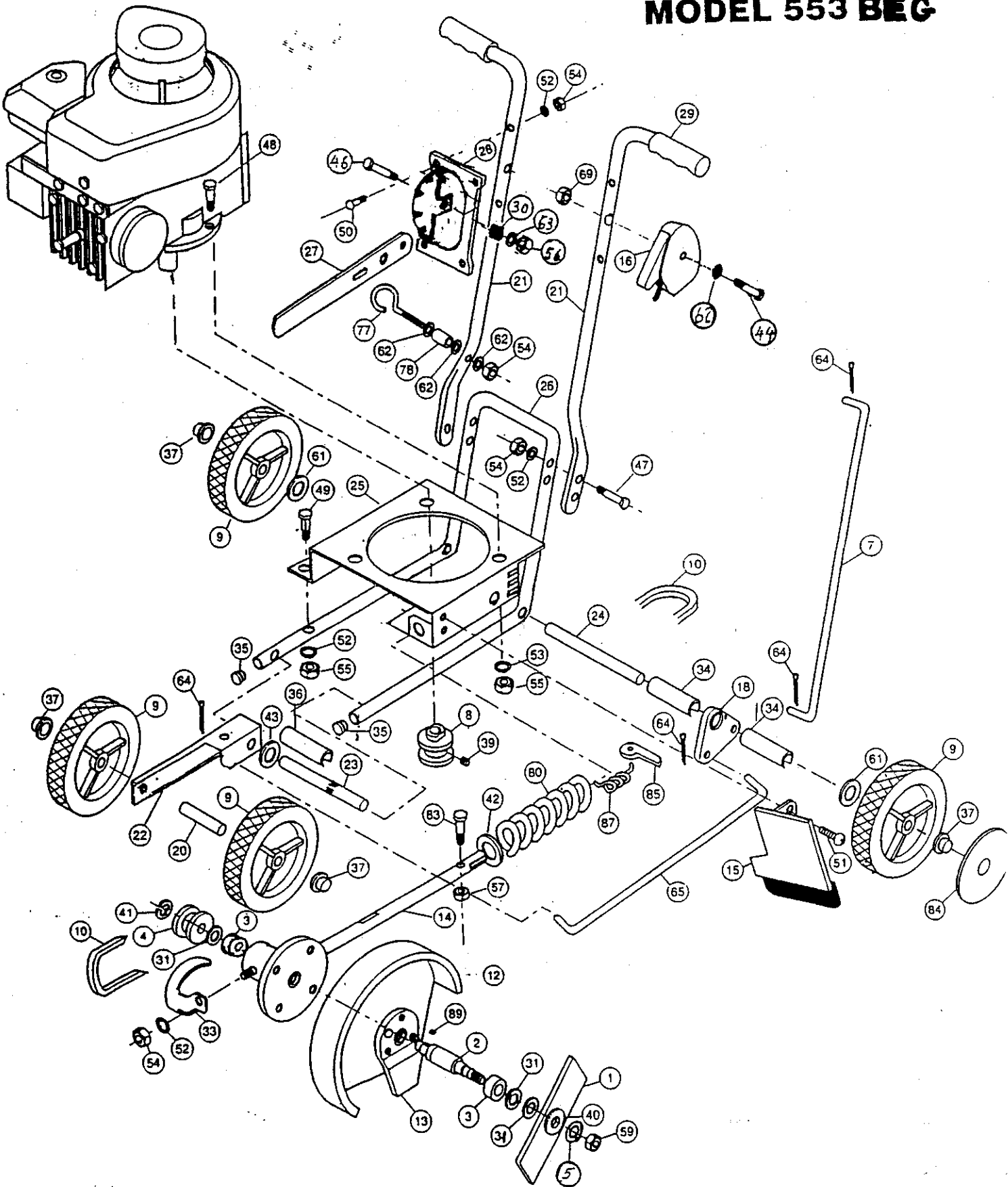


# TRIM-RITE MODEL 553 BEG



**TRIM  
WRITE**

# PARTS LIST

## MODEL TR553BEG

### SAVE

**THIS SHEET FOR FUTURE REFERENCE**

| Ref. No. | Part No. | Description                   | Ref. No. | Part No. | Description                     |
|----------|----------|-------------------------------|----------|----------|---------------------------------|
| 1        | 021006   | BLADE, 1/2 ROUND HOLE         | 40       | 024037   | WASHER, TENSION                 |
| 2        | 021014   | SHAFT, BLADE DRIVE            | 41       | 024001   | RETAINER, SNAP RING             |
| 3        | 021015   | BEARING, BALL                 | 42       | 024013   | WASHER, STAKE 5/8               |
| 4        | 021003   | PULLEY, 1/2 W KEY             | 43       | 024015   | WASHER, STAND-OFF 1/2           |
| 5        | 024810   | WASHER, 1/2 LOCK              | 44       | 024427   | 1/4 20 X 1 3/4 HHCS ZP          |
| 7        | 025001   | ROD, TOP CONTROL              | 45       | 024611   | 5/16 18 X 1 1/4 HHCS ZP         |
| 8        | 021017   | PULLEY, ENGINE 7/8 W/S        | 47       | 024425   | 1/4 20 X 1 1/2 HHCS ZP          |
| 9        | 025145   | WHEEL, 7" WAFFLE TREAD        | 48       | 024515   | 5/16 18 X 1 1/2 HHCS ZP         |
| 10       | 025012A  | BELT, "V"                     | 49       | 024417   | 1/4 20 X 1 1/2 CARRIAGE BOLT ZP |
| 12       | 025068   | GUARD, 4-HOLE                 | 50       | 024415   | 1/4 20 X 1 1/4 CARRIAGE BOLT ZP |
| 13       | 025070   | GUIDE, 4-HOLE                 | 51       | 024206   | 12 X 1/2 SELF TAP               |
| 14       | 025187   | CUTTERHEAD                    | 52       | 024805   | 1/4 LOCK WASHER ZP              |
| 15       | 028001   | DEFLECTOR BRACKET ASSY        | 53       | 024807   | 5/16 LOCK WASHER ZP             |
| 16       | 025146   | THROTTLE CONTROL              | 54       | 023905   | 1/4 20 HX NUT ZP                |
| 18       | 025020   | PITMAN                        | 55       | 024915   | 5/16 18 HX NUT ZP               |
| 20       | 025196   | AXLE FRONT WHEEL              | 56       | 024920   | 5/16 18 CENTER LOCK NUT Z11     |
| 21       | 023001   | HANDLE, TOP                   | 57       | 024908   | 1/4 20 NYLON LOCK NUT           |
| 22       | 025183   | FRONT WHEEL ARM               | 59       | 024902   | 1/2 20 HX NUT ZP                |
| 23       | 025004   | AXLE, FRONT                   | 61       | 024865   | 1/2 SAE FLAT WASHER ZP          |
| 24       | 025005   | AXLE, REAR                    | 62       | 024855   | 1/4 SAE FLAT WASHER ZP          |
| 25       | 025181   | BASE                          | 63       | 024860   | 5/16 USS FLAT WASHER ZP         |
| 26       | 022001   | FRAME, BOTTOM                 | 64       | 024006   | COTTER PIN 3/32 X 1 ZP          |
| 27       | 025023   | HANDLE, DEPTH CONTROL         | 65       | 025002   | ROD, BOTTOM CONTROL             |
| 28       | 025053   | BRACKET, DEPTH CONTROL        | 66       | 025206   | SPACER, REAR "SNAP ON", 1"      |
| 29       | 025025   | GRIP, TOP HANDLE              | 69       | 024907   | 1/4 20 LOCK NUT Z11             |
| 30       | 025026   | SPRING, DEPTH CONTROL         | 77       | 024004   | EYEBOLT, 1/4 20 X 2             |
| 31       | 024008   | WASHER, THRUST                | 78       | 024005   | SPACER, EYEBOLT                 |
| 33       | 025045   | GUARD, FRONT BELT             | 80       | 025021   | CUTTER HEAD SPRING              |
| 34       | 025007   | SPACER, REAR "SNAP-ON" 3 5/8  | 83       | 024411   | 1/4 20 X 1 HHCS GR. 8 Z11       |
| 35       | 025028   | PLUG, END                     | 84       | 025149   | WHEEL COVER                     |
| 36       | 025160   | SPACER, FRONT "SNAP-ON" 2 5/8 | 85       | 025185   | TRIGGER HANDLE                  |
| 37       | 024003   | PUSH NUT, 1/2 ZP              | 87       | 025186   | TRIGGER SPRING                  |
| 39       | 024011   | SET SCREW, ENGINE PULLEY      | 89       | 024002   | KEY #3 CUTTERHEAD               |