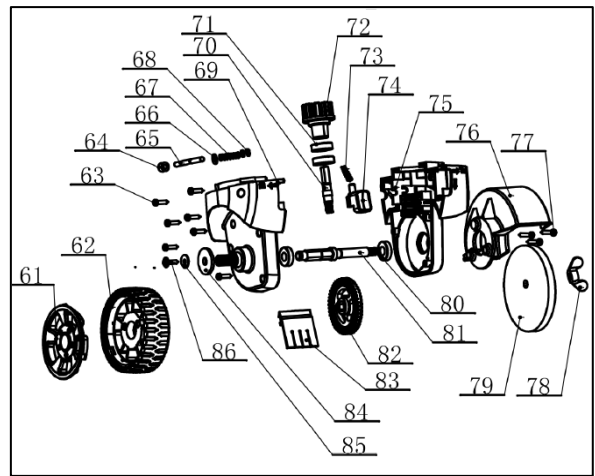


90



91

POS	QTY	PARTNUMBER	BESKRIVELSE	DESCRIPTION
1	13	447783	SKRUE	SCREW
2	1	447784	HÅNDTAG VENSTRE	HAND COVER
3	1	447785	STARTKNAP	MAIN BUTTON
4	1	447786	FJEDER	MAIN BUTTON SPRING
5	1	447787	HASTIGHEDSKONTROLPANEL	SPEED CONTROL BOARD
6	1	447788	KONTAKT	MACHINE MICRO SWITCH
7	1	447789	HOLDER	CAPACITANCE
8	1	447790	HÅNDTAG HØJRE	BOTTOM OF HANDLE
9	1	447791	KNAP	KNOB
10	1	447792	FRONT HÅNDTAG	DEPUTY HANDLE
11	1	447793	BOLT	SIX HEAD BOLT
12	1	447794	COVER FRONT HÅNDTAG	DEPUTY HANDLE COVER
13	2	447795	SKRUE	SCREW
14	1	447796	VENSTRE SKJOLD COVER	LEFT SHELL COVER
15	1	447797	VENSTRE SKJOLD	LEFT SHELL
16	1	447798	KONTAKT	MACHINE MICRO SWITCH
17	1	447799	HOLDER	CAPACITANCE
18	1	447800	KABELKLEMME	THE CABLE CLAMP
19	2	447801	SKRUE	SCREW
20	1	447802	RØR	PVC TUBE
21	1	447803	BESKYTTELSE	PROTECTION WIRE SADDLE
22	1	447804	STRØMLEDNING	POWER LINE
23	1	447805	DREJELÅS	LOCK SLEEVE
24	1	447806	PROP	CHOKE PLUG
25	1	447807	ALURØR	ALU TUBE
26	1	447808	LEDNING	SPIRAL LINE
27	1	447809	ELMOTOR	ELECTRICAL COMPONENTS
28	2	447810	SKRUE	SCREW
29	1	447811	MOTOR MONTERINGSPLADE	MOTOR MOUNTING PLATE
30	1	447812	BLÆSER	FAN
31	1	447813	PAKNING	GASKET
32	1	447814	LÅSEMØTRIK	NON-METALLIC INSERT LOCKNUT
33	1	447815	PROP	THE WIND LEAF PLUG
34	1	447816	HØJRE SKJOLD COVER	RIGHT SHELL COVER
35	1	447817	HØJRE SKJOLD	RIGHT SHELL
36	7	447818	SKRUE	SCREW
37	7	447819	SKRUE	SCREW
38	1	447820	HØJRE BØRSTECOVER	RIGHT SHELL OF BRUSH
39	2	447821	PAKNING	GASKET
40	2	447822	BØRSTEBESKYTTELSE	BRUSH GUARD BOARD
41	2	447823	SKRUE	HEXAGON SOCKET
42	2	447824	PAKNING	GASKET
43	2	447825	SKIVE	THE BLADE WASHER
44	2	447826	BØRSTE	BRISTLE BRUSH
45	2	447827	BØRSTEBLOK	BRUSH BLOCK
46	2	447828	PAKNING	GASKET
47	2	447829	LEJE	WATER-SEALED BEARING
48	1	447830	TANDHJUL	PAN TOOTH
49	1	447831	AKSEL	BRUSH AXIS
50	2	447832	LEJE	WATER-SEALED BEARING

POS	QTY	PARTNUMBER	BESKRIVELSE	DESCRIPTION
51	1	447833	FORBINDELSesakSEL	CONNECTING SHAFT
52	1	447834	KOBLING	COUPLING
53	1	447835	HÆTTE	STEM CAP
54	1	447836	STANG	JACKING ROD
55	1	447837	RING	RETAINER RING OPENING
56	1	447838	FJEDER	LONG FLEXIBLE SHAFT SPRING
57	2	447839	PAKNING	FLAT GASKET
58	1	447840	VENSTRE BØRSTECOVER	LEFT CASING OF BRUSH
59	1	447841	KNAP	BUTTON PUSH
60	1	447842	FJEDER	PUSH SPRING
61	1	447843	HJULKAPSEL	WHEEL COVER
62	1	447844	HJUL	WHEEL
63	7	447845	SKRUE	SCREW
64	1	447846	HÆTTE	STEM CAP
65	1	447847	STANG	JACKING ROD
66	1	447848	RING	RETAINER RING OPENING
67	1	447849	FJEDER	LONG FLEXIBLE SHAFT SPRING
68	2	447850	PAKNING	FLAT GASKET
69	1	447851	HØJRE STÅLBØRSTEHUS	RIGHT CASING OF STEEL WIRE BRUSH
70	1	447852	FORBINDELSesakSEL	CONNECTING SHAFT
71	2	447853	LEJE	609RS WATER-SEALED BEARING
72	1	447854	KOBLING	COUPLING
73	1	447855	FJEDER	PUSH SPRING
74	1	447856	KNAP	BUTTON PUSH
75	1	447857	VENSTRE STÅLBØRSTEHUS	LEFT SHEEL OF STEEL BRUSH
76	1	447858	BØRSTE COVER	BRUSH COVER
77	3	447859	SKRUE	SCREW
78	1	447860	FINGERMØTRIK	BUTTERFLY NUT
79	1	90063090	STÅLBØRSTE	STEEL BRUSH
79A	1	90063100	NYLONBØRSTE	NYLON BRUSH
80	2	447861	LEJE	6900RS WATER-SEALED BEARING
81	1	447862	AKSEL	STEEL BRUSH SHAFT
82	1	447863	TANDHJUL	PAN TOOTH
83	1	447864	GUMMIFLAP	STEEL BRUSH GUARD BOARD
84	1	447865	PAKNING	GASKET Ø12*Ø24*1
85	1	447866	SKIVE	THE BLADE WASHER
86	1	447867	SKRUE	SCREW
87	1	447868	FRONT HÅNDTAG KPL.	FRONT HANDLE ASSY
90	1	447869	BØRSTEHØVED KPL.	SWEEPER HEAD ASSY
91	1	447870	FLISERENSERHØVED KPL.	WEED HEAD ASSY W/O BRUSH