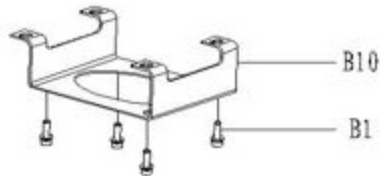
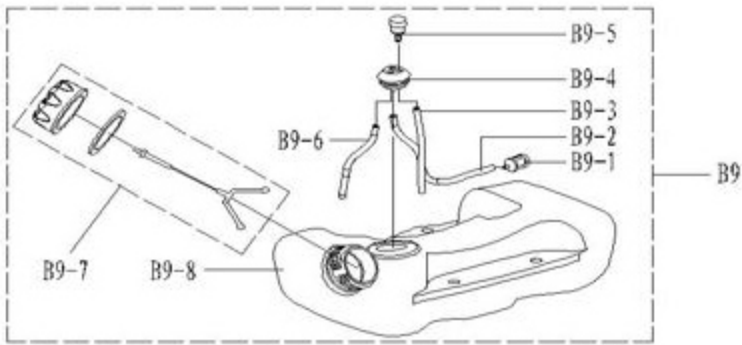
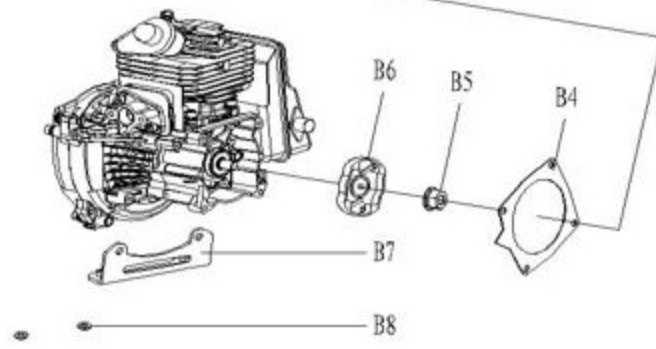
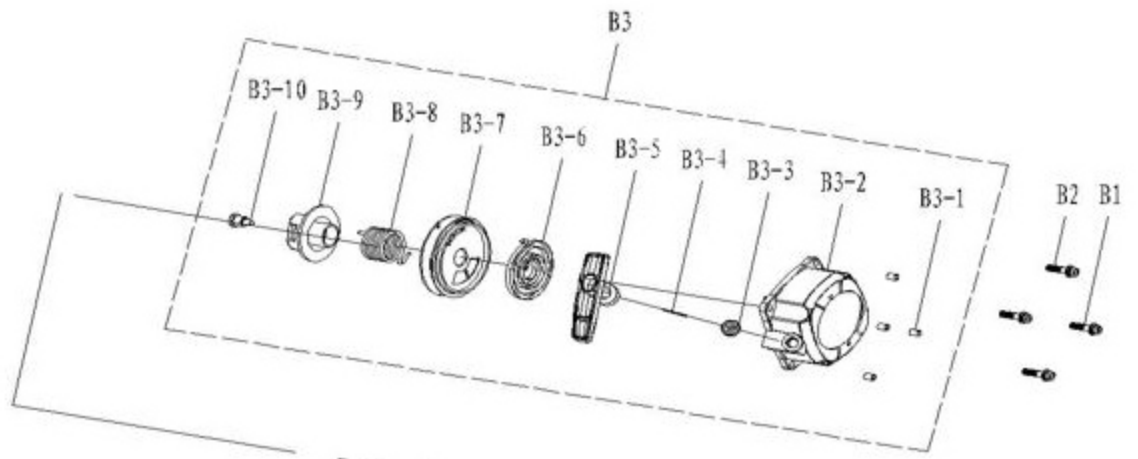
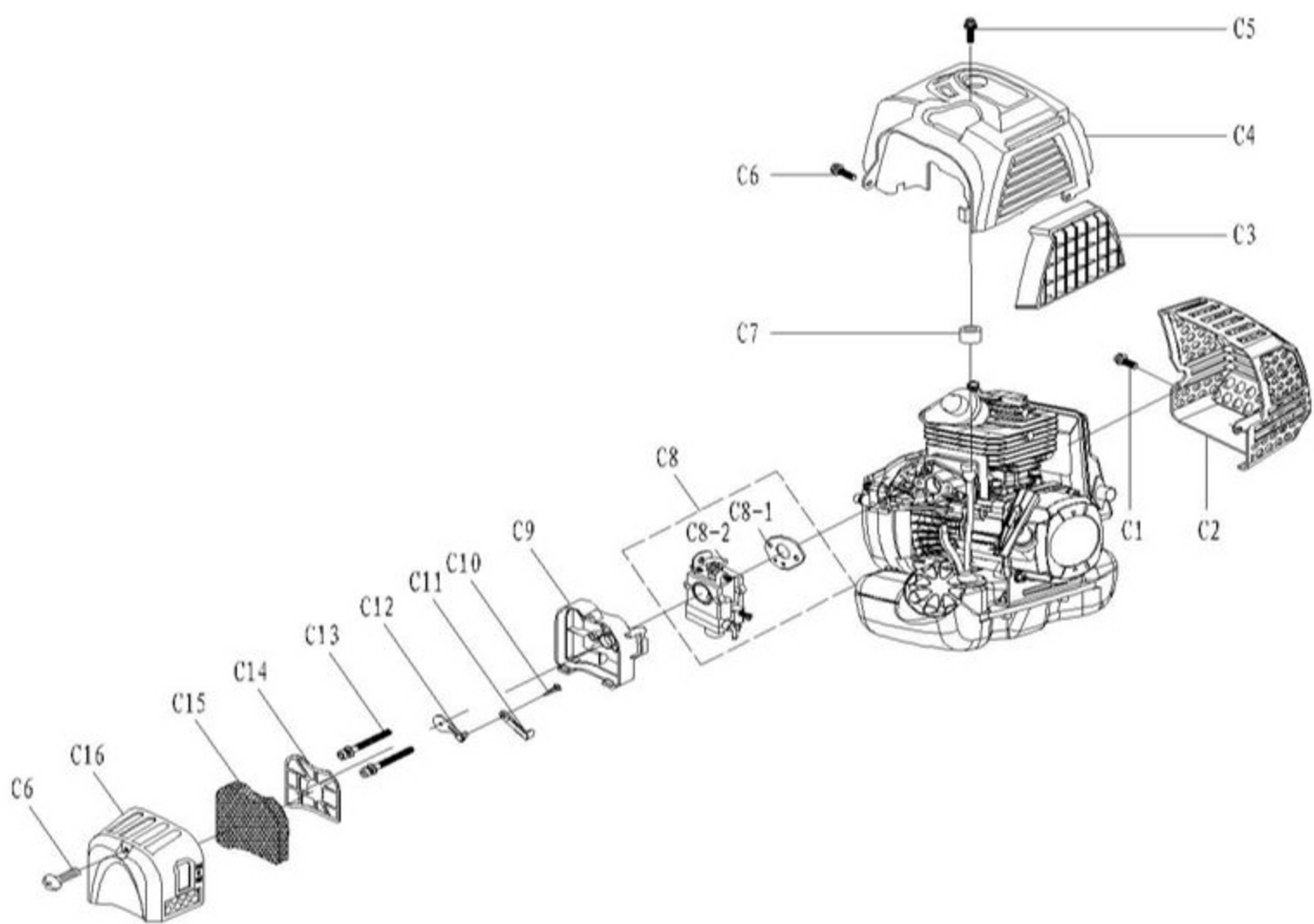


POS	QTY	PARTNUMBER	BESKRIVELSE	DESCRIPTION
A1	2	437723	HEX. SKRUE	HEX. SCREW M6*60
A2	1	437724	HEX. SKRUE	HEX. SCREW M5*16
A3	1	437725	UDSTØDNING KOMPLET	SILENCER ASSMEBLY
A3-1	1	437726	LYDDÆMPEL	SILENCER
A3-2	1	437727	LYDDÆMPEL PAKNING	SILENCER GASKET
A4	6	437728	HEX. SKRUE	HEX. SCREW M5*20
A5	1	437729	TÆNDRØR	SPARK PLUG
A6	1	437730	CYLINDER KOMPLET	CYLINDER PISTON ASSEMBLY
A6-1	1	437731	CYLINDER	CYLINDER
A6-2	1	437732	CYLINDER PAKNING	CYLINDER GASKET
A6-3	2	437733	STEMPELRING	PITSON RING
A6-4	1	437734	STEMPEL	PISTON
A6-5	1	437735	STEMPEL PIN	PISTON PIN
A6-6	2	437736	STEMPEL PIN LÅSERING	PISTON PIN CIRCLIP
A6-7	1	437737	CYLINDER	CYLINDER ASSEMBLY
A6-8	1	437738	STEMPEL	PISTON ASSEMBLY
A7	1	437739	ISOLATOR MED PAKNING	AIR INTAKE TUBE ASSEMBLY
A7-1	1	437740	ISOLATOR	AIR INTAKE TUBE
A7-2	1	437741	PAKNING FOR ISOLATOR	AIR INTAKE GASKET
A8	2	437742	HEX. SKRUE	HEX. SCREW M5*30
A9	1	437743	NOT	SEMI-CIRCULAR KEY
A10	1	437744	KRUMTAP AKSEL	CRANKSHAFT ASSEMBLY
A11	2	437745	LEJE	DEEP GROOVE BALL BEARINGS
A12	1	437746	OLIELÅG	OIL SEAL 12*22*7
A13	1	437747	KRUMTAPHUS KOMPLET	BOX ASSMEBLY
A13-1	1	437748	KRUMTAP	CRANKSHAFTCASE
A13-2	1	437749	PAKNING	BOX GASKET
A13-3	4	434930	PIN 5X10	ROUND PIN 5X10
A13-4	1	437750	KRUMTAP	CRANKSHAFTCASE
A13-5	4	437751	HEX. SKRUE	HEX. SCREW M5*35
A14	1	437752	OLIELÅG	OIL SEAL 15*30*7
A15	1	437753	SVINGHJUL	FLYWHEEL ASSMEBLY
A17	1	437754	LÅSEMØTRIK HEXAGON	HEXAGON FLANGE FACE LOCK NUT
A16	1	437755	SKIVE FLAD	FLAT WASHERS 8*16*1.5
A18	1	437756	BLÆSEHUS	FLYWHEEL COVER
A19	4	437757	HEX. SKRUE	HEX. SCREW M5*25
A20	2	437758	SKIVE FLAD	FLAT WASHERS 8*18*1.2
A21	1	437759	KOBLING	CLUTCH ASSEMBLY
A21-1	2	437760	KOBLINGSSKO	HOOF BLOCK
A21-2	1	437761	FJEDER KOBLING	CLUTCH TENSION SPRING
A22	2	437762	BRYSTBOLT	CLUTCH BOLTS
A23	2	437763	SKIVE	WAVE ELASTIC WASHER
A24	1	437764	TÆNDSPOLE	IGNITOR ASSMEBLY
A24-1	1	437765	TÆNDRØRSHÆTTE	IGNITOR CAPS
A24-2	1	437766	LEDNING	EXTINGUISHING LINE
A24-3	1	437767	LEDNING	GROUND WIRE
A24-4	1	437768	TÆNDSPOLE	IGNITOR BODY

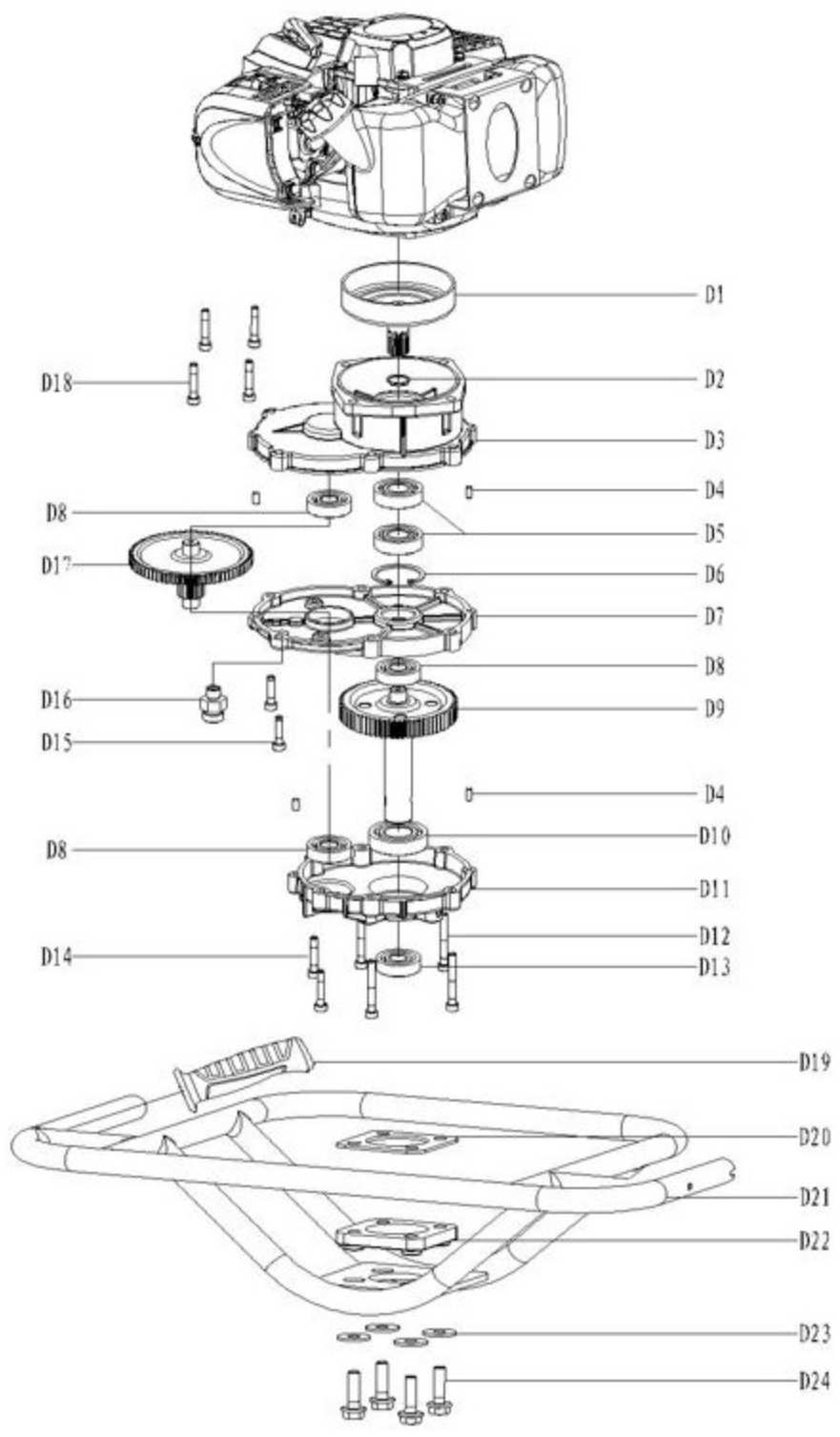
POS	QTY	PARTNUMBER	BESKRIVELSE	DESCRIPTION
A25	2	437769	SKIVE	HIGH PRESSURE BAG INSULATION MAT
A26	1	437770	NÅLEKRANS	NEEDLE ROLLER BEARINGS
A27	1	437771	LEJE KRUMTAP	OIL SEAL ASSMEBLY



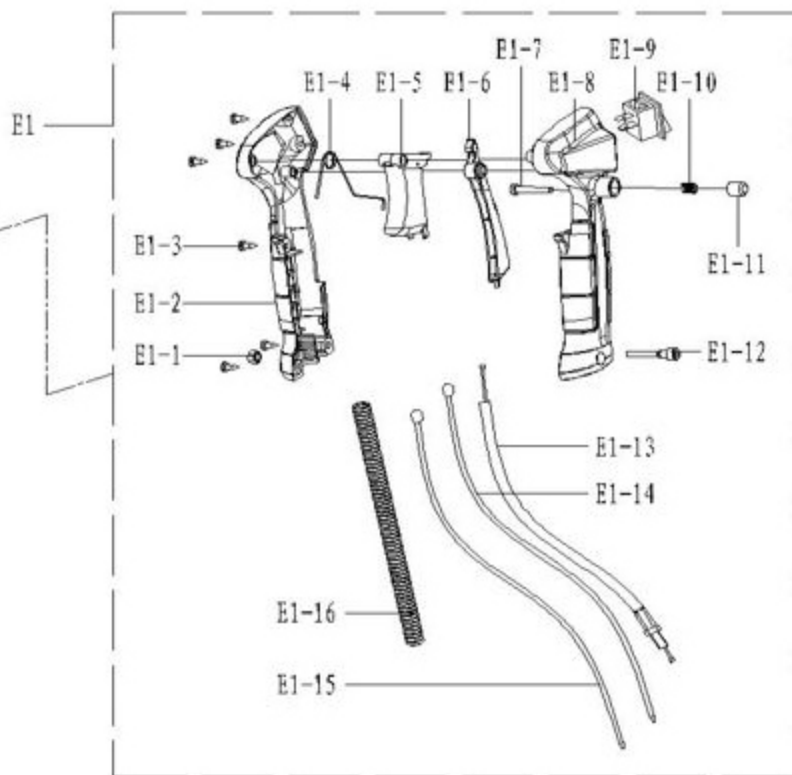
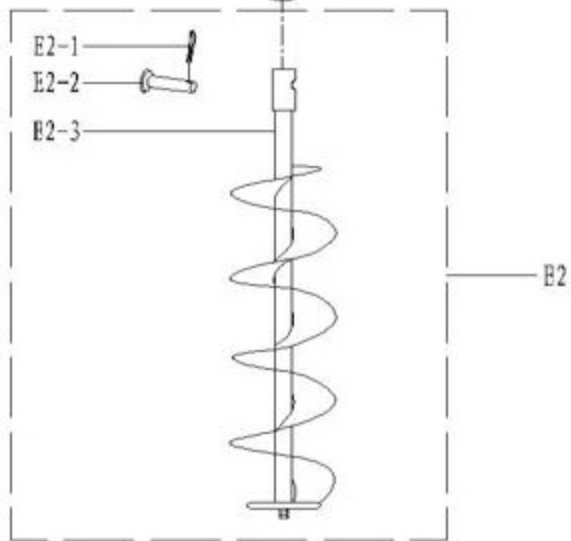
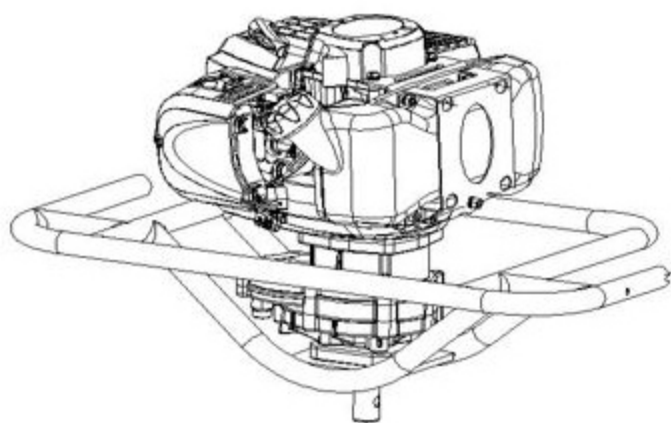
POS	QTY	PARTNUMBER	BESKRIVELSE	DESCRIPTION
B1	7	437728	HEX. SKRUE	HEX. SCREW M5*20
B2	1	437757	HEX. SKRUE	HEX. SCREW M5*25
B3	1	437772	REKYLSTARTER	STARTER ASSEMBLY
B3-1	4	437773	BØS	COPPER PIECES
B3-2	1	437774	STARTER COVER	STARTER COVER
B3-3	1	437775	GENNEMFØRING	PULL THE ROPE OVER SETS
B3-4	1	437776	STARTSNOR	STARTER ROPE
B3-5	1	437777	STARTERHÅNDTAG	STARTER HANDLE
B3-6	1	437778	STARTFJEDER	COIL SPRING
B3-7	1	437779	SNORRULLE	REEL
B3-8	1	437780	FJEDER	START THE SPRING
B3-9	1	437781	STARTER	STARTER
B3-10	1	437782	BOLT	STARTER NON - STANDARD SCREWS
B4	1	437783	PAKNING	STARTER PAD
B5	1	437754	LÅSEMØTRIK HEXAGON	HEXAGON FLANGE FACE LOCK NUT
B6	1	437784	STARTTRISSE	START THE DIAL
B7	1	437785	BENZINTANK	FUEL TANK HOLDER
B8	2	437786	CYLINDER COVER	CYLINDER COVER INSULATION MAT
B9	1	437787	BRÆNDSTOFTANK	TANK ASSEMBLY
B9-1	1	437788	BENZINFILTER	FUEL FILTER 204501CS,NORMAL,0468
B9-2	1	434853	BENZINSLANGE	FUEL HOSE
B9-3	1	437789	VENTILATOR	VENTILATOR
B9-4	1	437790	GENNEMFØRING	TUBING SEAT
B9-5	1	434856	BALANCE	BALANCER
B9-6	1	434853	BENZINSLANGE	FUEL HOSE
B9-7	1	437791	TANKLÅG	FUEL TANK CAP ASSEMBLY
B9-8	1	437792	BRÆNDSTOFTANK	TANK
B10	1	437793	STØTTEBEN	TANK PROTECTION RACK



POS	QTY	PARTNUMBER	BESKRIVELSE	DESCRIPTION
C1	1	437794	BOLT	HEXAGON SOCKET HEAD CAP SCREWS
C2	1	437795	LYDDÆMPER COVER	SILENCER COVER
C3	1	437796	SKÆRM	COOLING-AIR MASK
C4	1	437797	CYLINDER COVER	CYLINDER COVER
C5	1	437728	HEX. SKRUE	HEX. SCREW M5*20
C6	2	437798	HEX. SKRUE	HEX. SCREW M5*12
C7	1	437786	CYLINDER COVER	CYLINDER COVER INSULATION MAT
C8		437799	KARBURATOR	CARBURETOR ASSMEBLY
C8-1	1	437800	KARBURATOR PAKNING	CARBURETOR GASKET
C8-2	1	437801	KARBURATOR	CARBURETOR
C9	1	437802	LUFTFILTER HOLDER	AIR FILTER HOLDER
C10	1	437803	SKRUE	SCREW
C11	1	437804	GASHÅNDTAG TRIGGER	THROTTLE TRIGGER
C12	1	437805	DÆMPER	DAMPER
C13	2	437806	HEX. SKRUE	HEX. SCREW M5*55
C14	1	437807	LUFTFILTER	AIR FILTER SPONGE HOLDER
C15	1	437808	LUFTFILTER	AIR FILTER SPONGE
C16	1	437809	LUFTFILTER COVER	AIR FILTER COVER



POS	QTY	PARTNUMBER	BESKRIVELSE	DESCRIPTION
D1	1	437810	KOBLINGSSKÅL	PASSIVE PLATE WELDING
D2	1	437811	KOBLINGSHUS	SHAFT WITH ELASTIC RING
D3	1	437812	KRUMTAP	CRANKSHAFTCASE
D4	4	437813	STIFT	PIN
D5	2	437814	LEJE	DEEP GROOVE BALL BEARINGS
D6	1	437815	LÅSERING	HOLE WITH A FLEXIBLE RING
D7	1	437816	KRUMTAP	CRANKSHAFTCASE
D8	3	437817	LEJE	DEEP GROOVE BALL BEARINGS
D9	1	437818	GEAR	OUTPUT SHAFT COMBINATION
D10	1	437819	LEJE	DEEP GROOVE BALL BEARINGS
D11	1	437820	KRUMTAP	CRANKSHAFTCASE
D12	4	437821	SKRUE	SCREW
D13	1	437822	SKRUE	SCREW
D14	2	437823	SKRUE	SCREW M5*30
D15	2	437824	SKRUE	SCREW M5*25
D16	1	437825	VENTIL	BUBBLE VALVE COMBINATION
D17	1	437826	GEAR	FIRST GEAR COMBINATION
D18	4	437827	SKRUE	SCREW M6*20
D19	1	437828	GREB	HANDLE SLEEVE
D20	1	437829	GEARKASSE	GEARBOX BOTTOM PLATE
D21	1	437830	STEL	CONTROL FRAME COMBINATION
D22	1	437831	VIBRATIONSDÆMPER	CUSHIONING RUBBER PAD
D23	4	437755	SKIVE FLAD	FLAT WASHERS 8*16*1.5
D24	4	437832	BOLT	HEXAGON FLANGE BOLTS



POS	QTY	PARTNUMBER	BESKRIVELSE	DESCRIPTION
E1	1	437833	GASHÅNDTAG KOMPLET	HANDLE ASSEMBLY
E1-1	1	437834	SKRUE	SCREW
E1-2	1	437835	HÅNDTAG DEL VENSTRE	RIGHT HAND BODY
E1-3	6	437836	SKRUE	SCREW
E1-4	1	437837	FJEDER	TRIGGER CONTROL ARM TORSION SPRING
E1-5	1	437838	TRIGGER	TRIGGER
E1-6	1	437839	TRIGGER KONTROL	TRIGGER CONTROLLER
E1-7	1	437840	STIFT	PIN
E1-8	1	437841	HÅNDTAG HØJRE DEL	LEFT HAND BODY
E1-9	1	437842	KONTAKT	SWITCH
E1-10	1	437843	FJEDER	BUTTON SPRING
E1-11	1	437844	KNAP	BUTTON
E1-12	1	437845	SKRUE	SCREW M5*28
E1-13	1	437846	GASKABEL	THROTTLE CABLE
E1-14	1	437847	WIRE A	GROUND WIRE A
E1-15	1	437848	WIRE B	GROUND WIRE B
E1-16	1	437849	BESKYTTELSE SLANGE	BELLOWS
E2	1	437850	BOR	BIT ASSEMBLY
E2-1	1	437851	ÅBEN PIN	OPEN PIN
E2-2	1	437852	SPLITBOLT	DRILL FIXING PIN
E2-3	1	437850	BOR	BIT ASSEMBLY