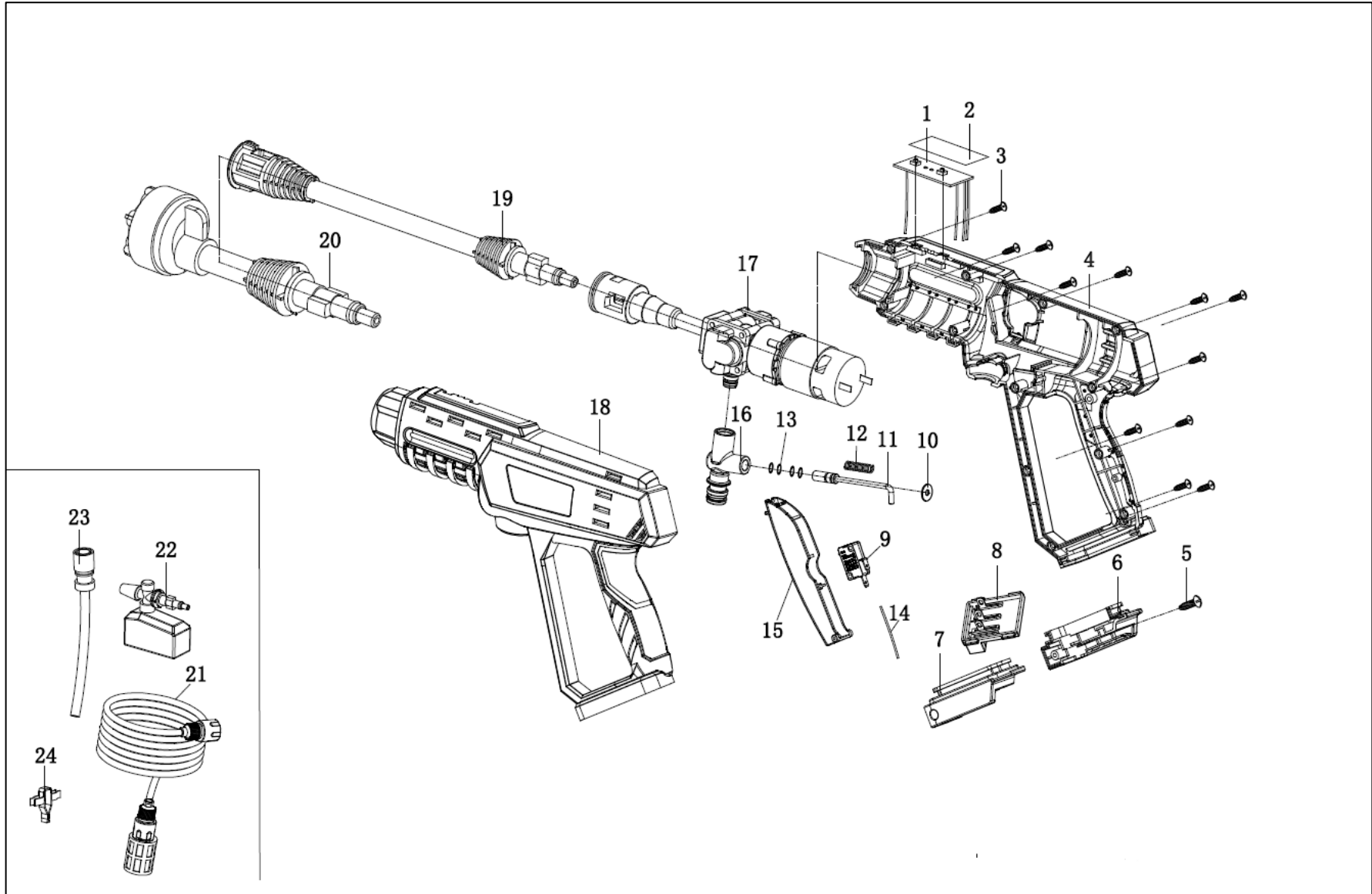


Model: WGS2000

Part Number: 90063295

Year: 2024



POS	QTY	PARTNUMBER	BESKRIVELSE	DESCRIPTION
1	1	452279	KONTROLPANEL	CONTROLLER
2	1	452280	LABEL	LABEL
3	12	452281	SKRUE	SCREW
4	1	452282	MOTORHUS HØJRE	RIGHT HOUSING
5	1	452283	SKRUE	SCREW
6	1	452284	BATTERI HOLDER HØJRE	RIGHT BATTERY ADAPTER
7	1	452285	BATTERI HOLDER VENSTRE	LEFT BATTERY ADAPTER
8	1	452286	ADAPTER	INSERT A
9	1	452287	KONTAKT	SWITCH
10	1	452288	SKIVE	FLAT WASHER
11	1	452289	VENTILKOMPONENT	VALVE CORE COMPONENTS
12	1	452290	FJEDER	TURN BUTTON SPRING
13	2	452291	O-RING	O-RING
14	1	452292	LEDNING	WIRE
15	1	452293	UDLØSER	SWITCH TRIGGER
16	1	452294	INDKLØBSVENTIL	INLET VALVE SEAT
17	1	452295	MOTOR	MOTOR AND PUMP ASSEMBLY
18	1	452296	MOTORHUS VENSTRE	LEFT HOUSING
19	1	452297	FORLÆNGERRØR	WATER EXTENSION PIPE ASSEMBLY
20	1	452298	DYSE	5 IN 1 NOZZLE ASSEMBLY
21	1	452299	VANDSLANGE	PIPE COMPONENTS
22	1	452300	SKUMLANSE	PRESSURE REGULATING FOAM POT
23	1	452301	VANDSLANGE KORT	COKE BOTTLE CONNECTOR ASSEMBLY
24	1	452302	CLIPS VANDSLANGE	BUCKET CLIP