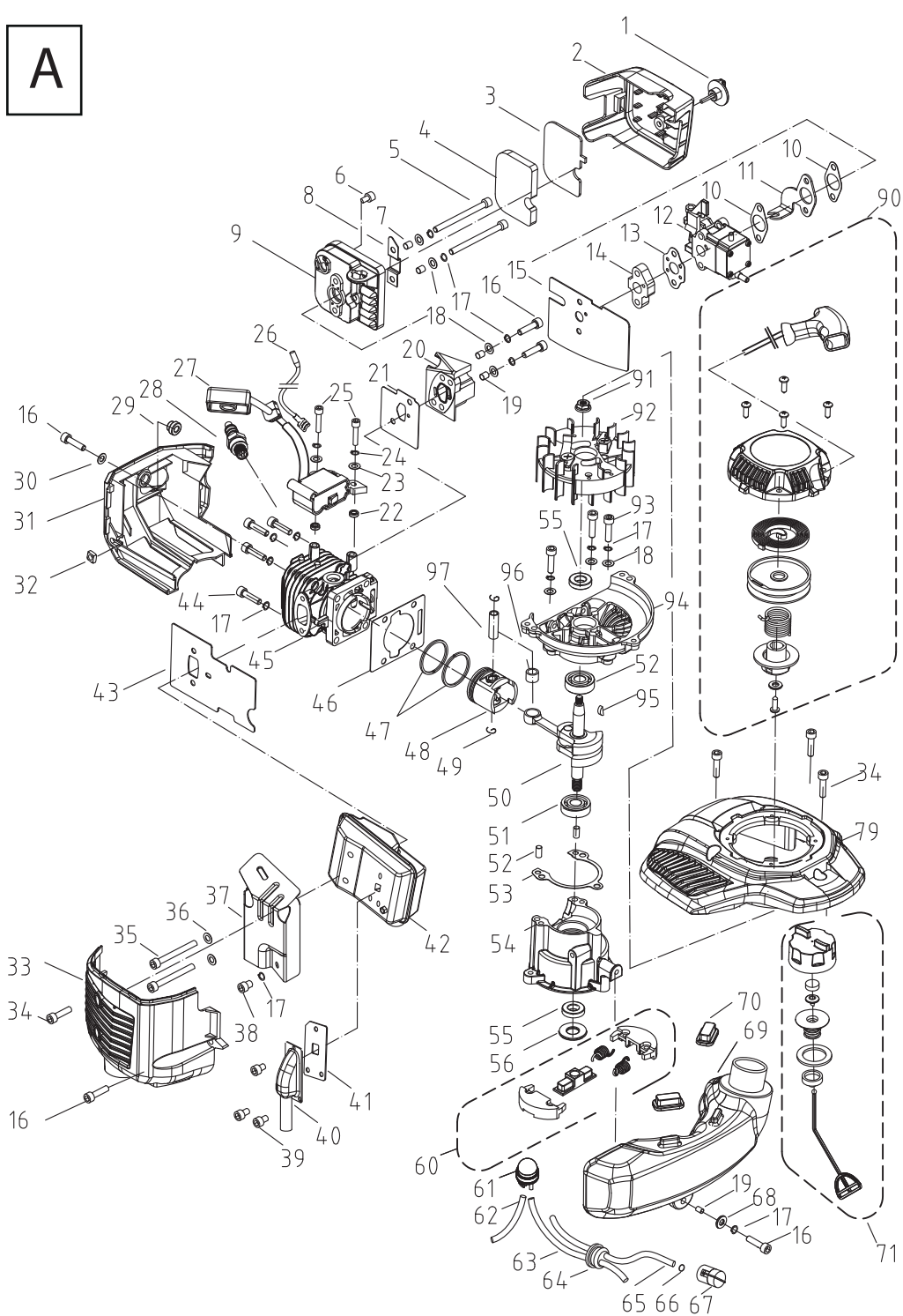
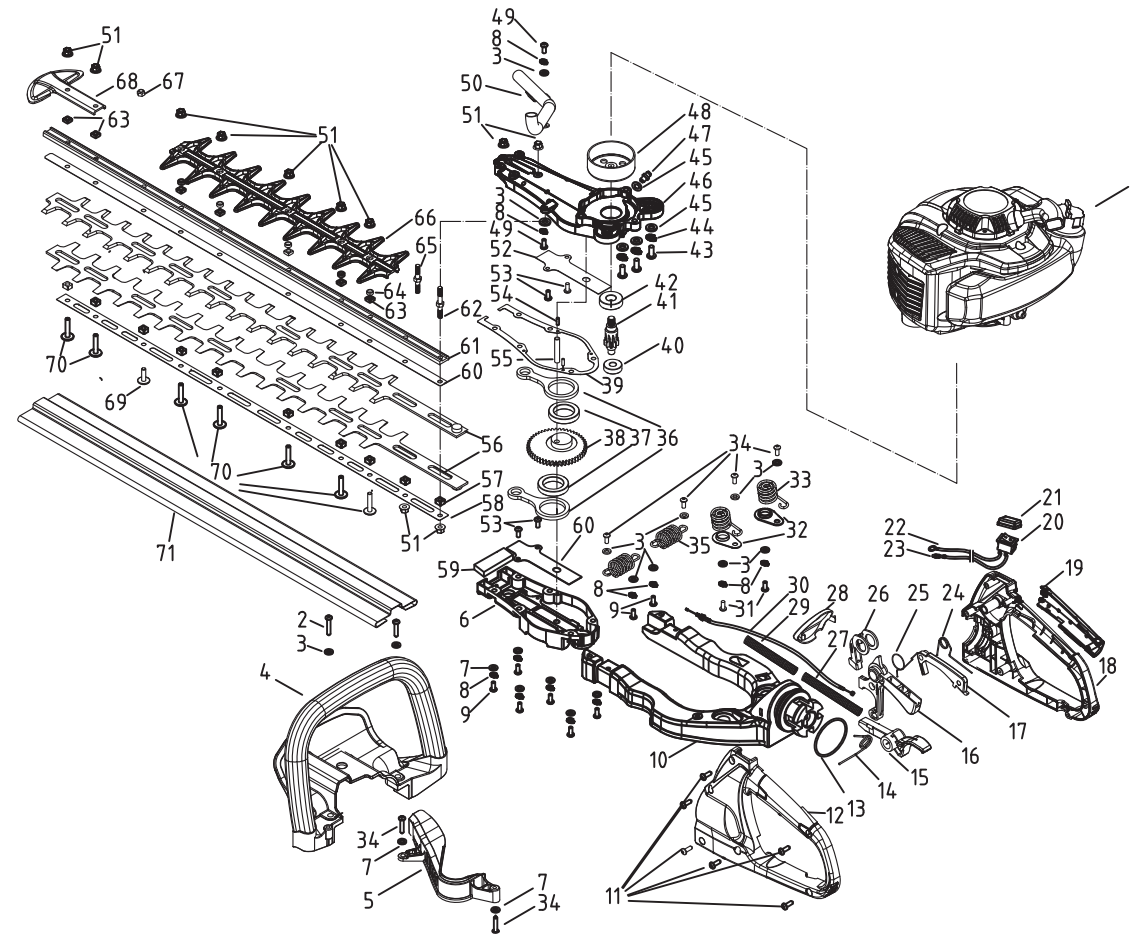


A**B**

POS	QTY	PARTNUMBER	BESKRIVELSE	DESCRIPTION
A1	1	429762	FINGERSKRUE	HAND SCREW
A2	1	429763	COVER FOR LUFTFILTER	AIR FILTER COVER
A3	1	429764	LUFTFILTER	AIR FILTER
A4	1	429765	FILTER	SPONGE FILTER
A5	2	429766	SKRUE M5X65	SCREW M5x65
A6	1	429767	DÆKSEL FOR GEARKASSE,	BLOCK
A7	2	429768	BØS 5X6,5X9	BUSH 5x6.5x9
A8	1	429769	LÅSEPLADE	LOCK PLATE
A9	1	429770	LUFTFILTERHUS	AIR FILTER CASE
A10	2	429771	PAKNING FOR LUFTFILTER	GASKET FOR AIR FILTER
A11	1	429772	KABELHOLDER	CABLE SUPPORT FRAME
A12	1	429773	KARBURATOR	CARBURETTOR
A13	1	429774	PAKNING FOR KARBURATOR	GASKET FOR CARBURETTOR
A14	1	429775	MELLEMLADE	SPACER PLATE
A15	1	429776	PAKNING FOR KARBURATOR	GASKET FOR CARBURETTOR
A16	5	429777	INSEX SKRUE CYLINDERHOVED M5X18	SCREW M5x18
A17	13	429778	FJEDERSKIVE M5	SPRING WASHER 5
A18	7	429779	PLANSKIVE M5	PLATE WASHER 5
A19	3	429780	BØS 5X6,3X7	BUSH 5x6.3x7
A20	1	429781	INSOLATOR	INTAKE PIPE
A21	1	429782	PAKNING FOR INSOLATOR	GASKET FOR INTAKE PIPE
A22	2	429783	SKIVE FOR TÆNDSPOLE	WASHER FOR IGNITION COIL
A23	2	429784	PLANSKIVE M4	PLATE WASHER 4
A24	2	429785	FJEDERSKIVE M4	SPRING WASHER 4
A25	2	429786	INSEX BOLT CYLINDERHOVED M4X20	SCREW M4x20
A26	1	429787	WIRE FOR STOP	FLAMEOUT WIRE
A27	1	429788	TÆNDSPOLE	IGNITION COIL
A28	1	429789	TÆNDRØR	SPARK PLUG
A29	1	429790	BØS FOR CYLINDER SKJOLD	BUSH FOR CYLINDER COVER
A30	1	429791	SKIVE 5X12X1,5	WASHER 5x12x1.5
A31	1	429792	SKJOLD FOR CYLINDER	CYLINDER COVER
A32	1	429793	MØTRIK FIKANTET M5	SQUARE NUT M5
A33	1	429794	SKJOLD FOR UDSTØDNING	MUFFLER COVER
A34	4	429795	INSEX BOLT MED CYLINDERHOVED M5X14	SCREW M5x14
A35	2	429796	INSEX BOLT MED CYLINDERHOVED M5X50	SCREW M5x50
A36	2	429797	SKIVE KOBBER M5	COPPER WASHER 5
A37	1	429798	VARMESKJOLD	HEAT ISOLATION
A38	1	429799	MASKINSKRUE PH MED PHILLIPS KRYDSKÆRV M5X5	SCREW M5x5
A39	3	429800	MASKINSKRUE PH MED PHILLIPS KRYDSKÆRV M4X5	SCREW M4x5
A40	1	429801	UDSTØDNINGS RØR	EXHAUST COLUMN
A41	1	429802	PAKNING FOR UDSTØDNING	GASKET FOR EXHAUST
A42	1	429803	UDSTØDNING	MUFFLER
A43	1	429804	PAKNING FOR UDSTØDNING	GASKET FOR MUFFLER
A44	4	429805	INSEX BOLT MED CYLINDERHOVED M5X20	SCREW M5x20
A45	1	429806	CYLINDER	CYLINDER

POS	QTY	PARTNUMBER	BESKRIVELSE	DESCRIPTION
A46	1	429807	PAKNING FOR CYLINDER	GASKET FOR CYLINDER
A47	2	429808	STEMPELRING	PISTON RING
A48	1	429809	STEMPEL	PISTON
A49	2	429810	LÅSERING FOR STEMPEL	PISTON PIN CIRCLIP
A50	1	429811	KRUMTAP	CRANKSHAFT
A51	2	429812	KUGLELEJE 10X26X8	BEARING 6000
A52	2	429813	STIFT 5X10	PIN 5x10
A53	1	429814	PAKNING FOR KRUMTAP	GASKET FOR CRANKCASE
A54	1	429815	BUND FOR KRUMTAPHUS	BOTTOM CRANKCASE
A55	2	429816	PAKDÅSE 10X20X5	SEALING 10x20x5
A56	1	429817	SKIVE FOR KOBLING	CLUTCH WASHER
A60	1	429821	KOBLING	CLUTCH
A61	1	429822	PRIMER	PRIMER BULB
A62	1	429823	SLANGE FOR PRIMER 2.5X5X75	PRIMER TUBE 2.5x5x75
A63	1	429824	SLANGE FOR RETURLØB 2,5X5X100	RETURN TUBE 2.5x5x100
A64	1	429825	GENNEMFØRING FOR SLANGER	FUEL TUBE SEAT
A65	1	429826	BRÆNDSTOFLANGE 2,5X5X230	FUEL TUBE 2.5x5x230
A66	1	429827	LÅSERING	CIRCLIP
A67	1	429828	BRÆNDSTOFFILTER	FUEL FILTER
A68	1	429829	PLANSKIVE M5	WASHER 5
A69	1	429830	BRÆNDSTOFTANK	FUEL TANK
A70	2	429831	STØDDÆMPER FOR BRÆNDSTOFTANK	FUEL TANK ABSORBER
A71	1	429832	TANKLÅG	FUEL TANK CAP
A79	1	429840	TOP COVER	TOP COVER
A90	1	429851	REKYLSTARTER KOMPLET	STARTER
A91	1	429852	FLANGEMØTRIK M6	NUT M6
A92	1	429853	BLÆSEHJUL	MAGNETO
A93	3	429854	INSEX BOLT MED CYLINDERHOVED M5X25	SCREW M5x25
A94	1	429855	KRUMTAPHUS TOP	TOP CRANKCASE
A95	1	429856	NOT	KEY
A96	1	429857	NÅLELEJE 8X11X10	PIN SCREW 8x11x10
A97	1	429858	KRYDSPIND FOR STEMPEL	PISTON PIN
B1	1	429859	MOTOR	ENGINE
B2	2	429860	PLADESKRUE MED PANHOVED OG POZIDRIVE 4,8X25	TAPPING SCREW ST4.8x25
B3	12	429861	" 5X12X1,5	WASHER 5x12x1.5
B4	1	429862	HÅNDTAG FOREST	FRONT HANDLE
B5	1	429863	BESLAG	
B6	1	429864	COVER FOR GEARKASSE	GEAR BOX COVER
B7	8	429865	PLANSKIVE M5	PLATE WASHER 5
B8	12	429866	FJEDERSKIVE M5	SPRING WASHER 5
B9	8	429867	SKRUE M5X18	SCREW M5x18
B10	1	429868	BASE	BASE
B11	6	429869	SKRUE 4,2X14	TAPPING SCREW ST4.2x14
B12	1	429870	HÅNDTAG BAGERST	REAR HANDLE LEFT COVER

POS	QTY	PARTNUMBER	BESKRIVELSE	DESCRIPTION
B13	1	429871	O-RING 43,8X3X1	O-RING SEAL (43.8x3.1)
B14	1	429872	RETURFJEDER	RETURN SPRING FOR ROTATION CONTROL LEVER
B15	1	429873	KONTAKT FOR DREJ	ROTATION CONTROL LEVER
B16	1	429874	GASGREB	THROTTLE TRIGGER
B17	1	429875	GASGREB LOCKOUT	THROTTLE TRIGGER LOCKOUT
B18	1	429876	COVER FOR HØJRE HÅNDTAG	REAR HANDLE RIGHT COVER
B19	1	429877	COVER FOR HÅNDTAG	GRIP SKIN
B20	1	429878	KONTAKT FOR MOTOR	ENGINE SWITCH
B21	1	429879	BESKYTTELSE FOR KONTAKT	WATER RESISTANT CAP
B22	1	429880	WIRE FOR JORD	GROUND CONNECTING WIRE
B23	1	429881	KONTAKT	SWITCH CONNECTING WIRE
B24	1	429882	RETURFJEDER FOR GASGREB LOCKOUT	RETURN SPRING FOR THROTTLE TRIGGER LOCKO
B25	1	429883	RETURFJEDER FOR GASGREB	RETURN SPRING FOR THROTTLE TRIGGER
B26	1	429884	BESLAG	POSITION BLOCK
B27	1	429885	RØR FOR GAS KABEL	REAR THROTTLE CABLE TUBE
B28	1	429886	COVER	COVER
B29	1	429887	RØR FOR KABEL	FRONT THROTTLE CABLE TUBE
B30	1	429888	GASKABEL	THROTTLE CABLE
B31	2	429889	INSEX BOLT MED CYLINDERHOVED M5X14	SCREW M5x14
B32	2	429890	SKIVE FOR FJEDER	WAHER FOR SPRING
B33	2	429891	FJEDER	REAR ABSORBER SPRING
B34	6	429892	SKRUE 4,8X19	TAPPING SCREW ST4.8x19
B35	2	429893	FJEDER	FRONT ABSORBER SPRING
B36	2	429894	FOBINDELSESSTANG	CONNECTING ROD
B37	2	429895	KUGLELEJE 25X37X7	BEARING 61805-2Z 25x37x7
B38	1	429896	TANDHJUL	ECCENTRIC WHEEL
B39	1	429897	PAKNING	SEALING GASKET
B40	1	429898	KUGLELEJE 8X22X7	BEARING 608-2RS 8x22x7
B41	1	429899	UDGANGSAKSEL	OUTPUT SHAFT
B42	1	429900	KUGLELEJE 12X28X8	BEARING 6001-2RS 12x28x8
B43	3	429901	SKRUE M6X22	SCREW M6x22
B44	3	429902	FJEDERSKIVE M6	SPRING WASHER 6
B45	4	429903	PLANSKIVE M6	PLATE WASHER 6
B46	1	429904	GEARKASSE	GEAR BOX
B47	1	429905	SMØRENIPPEL	OILING NOZZLE
B48	1	429906	KOBLINGSSKÅL	CLUTCH BOWL
B49	2	429907	MASKINSKRUE M5X12	SCREW M5x12
B50	1	429908	SLANGE	
B51	11	429909	LÅSEMØTRIK M5	METAL LOCK NUT M5
B52	2	429910	PLADE FOR GEAR	WASHER PLATE
B53	4	429911	SKRUE M4X10	SCREW M4x10
B54	2	429912	STIFT 3X9	PIN 3x9
B55	1	429913	STIFT 6X35	PIN 6x35
B56	2	429914	SKÆR	BLADE

POS	QTY	PARTNUMBER	BESKRIVELSE	DESCRIPTION
B57	10	429915	BØS / MELLESTYKKE	SPACER
B58	1	429916	SKINNE FOR SKÆR	BOTTOM GRIPPER PLATE
B59	1	429917	BESLAG FOR GEARHUS	FELT
B60	1	429918	SKIVE FOR SKÆR	WASHER FOR BLADE
B61	1	429919	UPPER GRIPPER PLATE	UPPER GRIPPER PLATE
B62	1	429920	SKRUE M5X44	SCREW M5x44
B63	7	429921	MØTRIK FIKANTET M5	SQUARE NUT M5
B64	5	429922	BØSNING FOR SKÆR 6X8X3	BUSHER 6x8x3
B65	1	429923	PINBOLT M5X40	SCREW M5x40
B66	1	429924	SKÆR TOP	UNSHARPENED PLATE
B67	1	429925	MØTRIK M5	NUT M5
B68	1	429926	BESKYTTELSE FOR SKÆR	TIP GUARD
B69	1	429927	SKRUE M5X17	SCREW M5x17
B70	7	429928	SKRUE M5X25	SCREW M5x25
B71	1	429929	BESKYTTELSE FOR SKÆR	BLADE COVER