

SABRE®

- ⓐ PARTS LIST
- ⓑ LISTE DE PIÈCES
- ⓒ TEILELISTE
- ⓓ LISTA DE PIEZAS
- ⓔ ELENCO DEI PEZZI

HTS-43 **UT18014 D**

HTS-53 **UT18021 D**

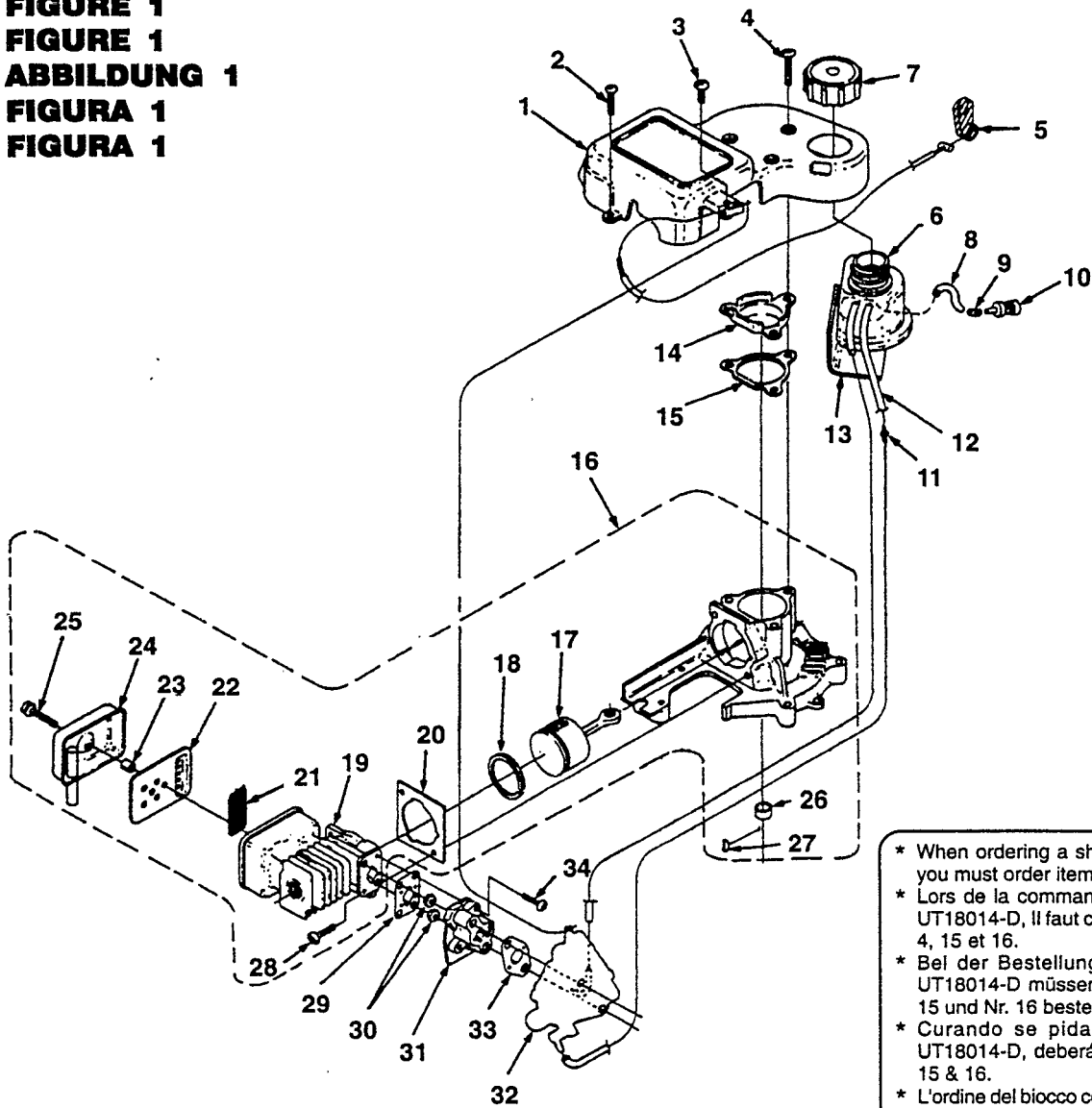
Udca Brense.

- ⓐ HEDGE TRIMMERS
- ⓑ TAILLE-HAIES
- ⓒ HECKENTRIMMERS
- ⓓ PODADORAS
- ⓔ CIMATRICE

Printed in U.S.A.
Imprime aux. E.-U.
Gedruckt in den U.S.A.
Impreso en EE. UU.
Stampato negli Stati Uniti

P/N 18843-B

FIGURE 1
FIGURE 1
ABBILDUNG 1
FIGURA 1
FIGURA 1



* When ordering a short block for UT18014-D you must order items #4, 15 & 16.
 * Lors de la commande du bloc court pour le UT18014-D, il faut commander les pièces n°s 4, 15 et 16.
 * Bei der Bestellung des Rumpfmotors für UT18014-D müssen Gegenstände Nr. 4, Nr. 15 und Nr. 16 bestellt werden.
 * Curando se pida el bloque corto para UT18014-D, deberán pedirse los ítemes #4, 15 & 16.
 * L'ordine del blocco corto per l'UT18014-D deve comprendere gli articoli n. 4, 15, e 16.

N	P/N	D	Q
1	00947 1A	COVER-Engine	1
2	82536	SCREW-Thread Form. (#8 X 3/4")	2
3	82541	SCREW-Thread Form. (#10 X 1/2")	1
4	82538	SCREW-Thread Form. (10-24 X 3/4")	3
5	00959	LEVER-Trigger	1
6	• A 08454	FUEL TANK ASSEMBLY	1
7	DA 00099 A	CAP-Fuel	1
8	01439 21	TUBING-Rubber (5 1/2")	1
9	98268	CLAMP-Wire	1
10	49422	FILTER-Fuel	1
11	01327	FITTING	A/R
12	94772 25	TUBING-Rubber (6 1/4")	1
13	00927 A	SPACER-Fuel Tank	1
14	• A 04820 A	CRANKCASE COVER	1
15	00946	GASKET-Crankcase	1

N	P/N	D	Q
16	• A 08217	SHORT BLOCK*	1
17	• A 08479	PISTON & ROD	1
18	08476	RING-Piston	1
19	• A 08211	CYLINDER & MUFFLER ASSEMBLY	1
20	08159	GASKET-Cylinder	1
21	00921	SCREEN-Spark Arrestor	1
22	00920	BAFFLE-Muffler	1
23	00931	SPACER-Muffler	1
24	A 01838	COVER-Muffler	1
25	82540	SCREW-Thread Form. (8-32 X 1")	3
26	01971	SPACER	1
27	69250	KEY-Woodruff	1
28	82568	SCREW-Machine (10-24 X 3/4")	2
29	00932 B	GASKET-Heat Dam	1
30	81208	NUT-Hex (10-24)	2
31	00917 B	HEAT DAM	1
32	• A 08212	CARBURETOR KIT	1
33	98766 A	GASKET-Carburetor	1
34	82549 1	SCREW-Thread Form. (10-24 X 1")	2

No.
 N°
 Nr.
 No.
 N°

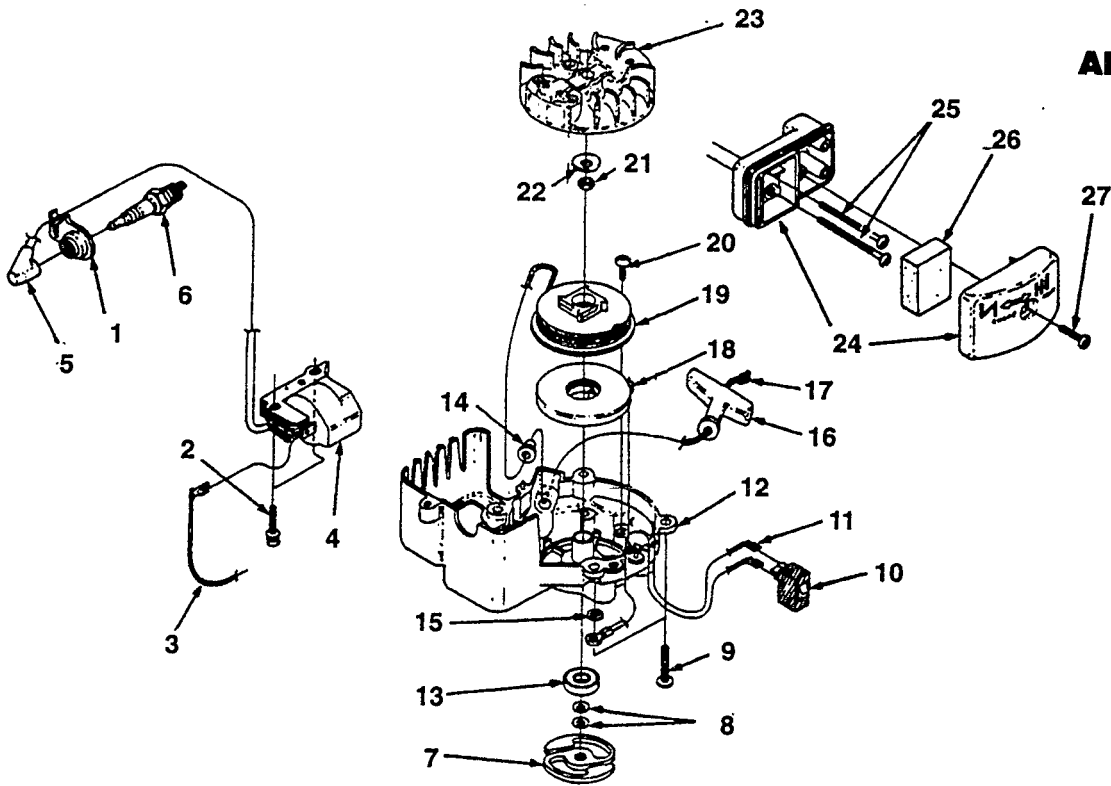
Part No.
 Pièce N°
 Teil Nr.
 No. de pieza
 Pezzo N°

DESCRIPTION — D

Quantity
 Quantité
 Menge
 Cantidad
 Quantità

Assemblies
 Ensembles
 Bausätze
 Conjuntos
 Complessi

FIGURE 2
FIGURE 2
ABBILDUNG 2
FIGURA 2
FIGURA 2



N	P/N	D	Q
1	01010 A	SHIELD-Spark Plug	1
2	82540	SCREW-Thread Form. (8-32 X 1")	2
3	A 00942	LEAD-Electrical	1
4	94711 CS	MODULE-Ignition	1
5	A 02597	SPARK PLUG BOOT KIT	1
6	79252	SPARK PLUG (RDY-7Y)	1
7	03588 1	CLUTCH "S"	1
8	70788	WASHER-Belleville	2
9	82538	SCREW-Taptite (10-24 X 3/4")	4
10	02497	SWITCH	1
11	A 00943	LEAD-Ground	1
12	A 08183	HOUSING-Engine & Pulley	1
13	98843	BEARING-Ball	1
14	96981 1A	BUSHING-Starter	1
15	84003	WASHER-Flat (#10)	1
16	02264	GRIP-Starter Rope	1
17	97899 02	ROPE-Starter (42")	1
18	A 97908	SPRING & CONTAINER	1
19	00924	PULLEY-Starter	1
20	82541	SCREW-Thread Form. (#10 X 1/2")	2
21	81191	NUT-Hex (7/16-20)	1
22	01325	WASHER-Conical	1
23	A 01015 A	ROTOR	1
24	A 00335 A	AIR FILTER HOUSING	1
25	82542	SCREW-Machine (10-24 X 2 1/4")	2
26	00934	FILTER-Air	1
27	82368	SCREW-Thread Form. (#8 X .750)	1

No.
 N°
 Nr.
 No.
 N°

N

Part No.
 Pièce N°
 Teil Nr.
 No. de pieza
 Pezzo N°

PN

DESCRIPTION D

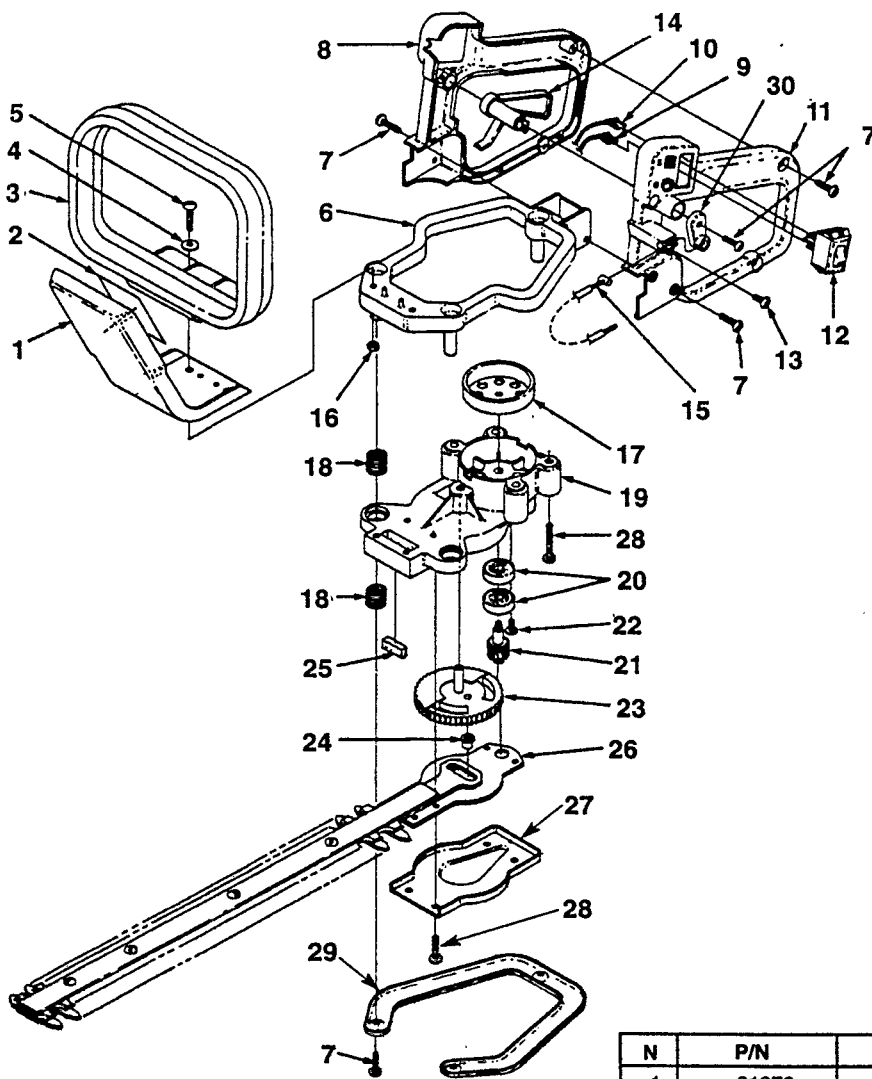
Quantity
 Quantité
 Menge
 Cantidad
 Quantità

Q

Assemblies
 Ensembles
 Bausätze
 Conjuntos
 Compressi

•

FIGURE 3
FIGURE 3
ABBILDUNG 3
FIGURA 3
FIGURA 3



No. N° No. No. No.	N	Part No. Pièce N° Teil Nr. No. de pieza Pezzo N°	PN	DESCRIPTION	D
Quantity Quantité Menge Cantidad Quantità	Q	Assemblies Ensembles Bausätze Conjuntos Complissi	•		

N	P/N	D	Q
1	01972	GUARD-Hand	1
2	02916 A	DECAL-Warning	1
3	00936 A	HANDLE-Front	1
4	95249	WASHER-Flat (10-24)	2
5	82538	SCREW-Thread Form. (10-24 X 3/4")	2
6	01007	BASE-Vibration Isolator	1
7	82536	SCREW-Thread Form. (#8 X 3/4")	7
8	00938	HANDLE-Rear (Right)	1
9	A 00942	LEAD-Electrical	1
10	A 00943	LEAD-Ground	1
11	00939	HANDLE-Rear (Left)	1
12	02497	SWITCH	1
13	82541	SCREW-Thread Form. (#10 X 1/2")	1
14	00958 A	TRIGGER	1
15	01973	CABLE-Throttle	1
16	81208	NUT-Hex (10-24)	2
17	00949 B	DRUM-Clutch	1
18	01009	SPRING-Compression	6
19	• A 01526	GEAR BOX ASSEMBLY	1
20	98843	BEARING-Ball	2
21	A 01313	PINION & SCREW ASSEMBLY	1
22	82541	SCREW-Thread Form. (#10 X 1/2")	1
23	A 01312	GEAR & PIN ASSEMBLY	1
24	00955	BUSHING	1
25	00935	BLADE-Seal	1
26	07210	BLADE ASSY. (HTS-43)	1
	A 01841 A	BLADE ASSY. (HTS-53)	1
27	00954	COVER-Gear Box	1
28	82537	SCREW-Thread Form. (#10 X 7/8")	4
29	01013	BRACE	1
30	00959	LEVER-Trigger	1
31	07487	WASHER	1