

66 for alle res. w.o.m.m.v.

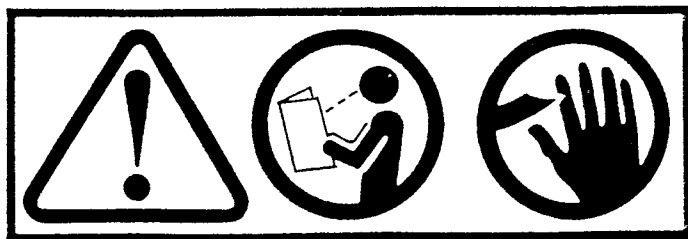
SABRE®

- Ⓒ PARTS LIST
- Ⓕ LISTE DE PIECES
- Ⓓ TEILELISTE
- Ⓔ LISTA DE PIEZAS
- Ⓘ ELENCO DELLE PARTI

FEB 15. 1993

HTS-43
HTS-53

UT18014A
UT18021A



- Ⓒ Printed in U.S.A.
 - Ⓕ Imprimé aux E.-U.
 - Ⓓ Gedruckt in U.S.A.
 - Ⓔ Impreso en EE.UU.
 - Ⓘ Stampato negli Stati Uniti
- P/N 18843**

No. No. Nr. No. N°.	Part No. No. de piece Best.-Nr. No. de Pieza Pezzo N°.	Description	Qty. Qte. Menge Cant. Qta.
1	A-02571-A	HOUSING - Crankcase	1
2	82536	SCREW - Plastite (#8 x 3/4")	2
3	82541	SCREW - Plastite (#10 x 1/2")	2
4	82538	SCREW - Taptite (10-24 x 3/4")	9
5	A-00982-A	CAP - Fuel	1
6	00959	LEVER - Trigger	1
7	• A-04270	FUEL TANK ASSY.	1
8	94772-24	TUBING - Rubber (6")	1
9	98268	CLAMP - Wire	1
10	49422	FILTER - Fuel	1
11	98819	VALVE - Filter	1
12	01327	FITTING	1
13	94772-22	TUBING - Rubber (5 1/2")	1
14	00927-A	SPACER - Fuel Tank	1
15	01836	COVER - Crankcase	1
16	00946	GASKET - Crankcase	1
17	• A-02069-A	SHORT BLOCK	1
18	• A-01014-C	PISTON & ROD	1
19	00915	RING - Piston	1
20	• A-01523-B	CYLINDER & MUFFLER	1
21	02059	GASKET - Cylinder	1
22	82540	SCREW - Taptite (8-32 x 1")	3
23	A-01838	COVER - Muffler	1
24	00931	SPACER - Muffler	1
25	00920	BAFFLE - Muffler	1
26	00921	SCREEN - Spark Arrestor	1
27	82568	SCREW - (10-24 x 3/4")	2
28	01971	SPACER	1
29	69250	KEY - Woodruff	1
30	94711-CS	MODULE- Ignition	1
31	A-02597	SPARK PLUG BOOT KIT	1
32	01010-A	SHIELD - Spark Plug	1
33	79252	SPARK PLUG (RDJ-7Y)	1
34	00932-A	GASKET - Heat Dam	1

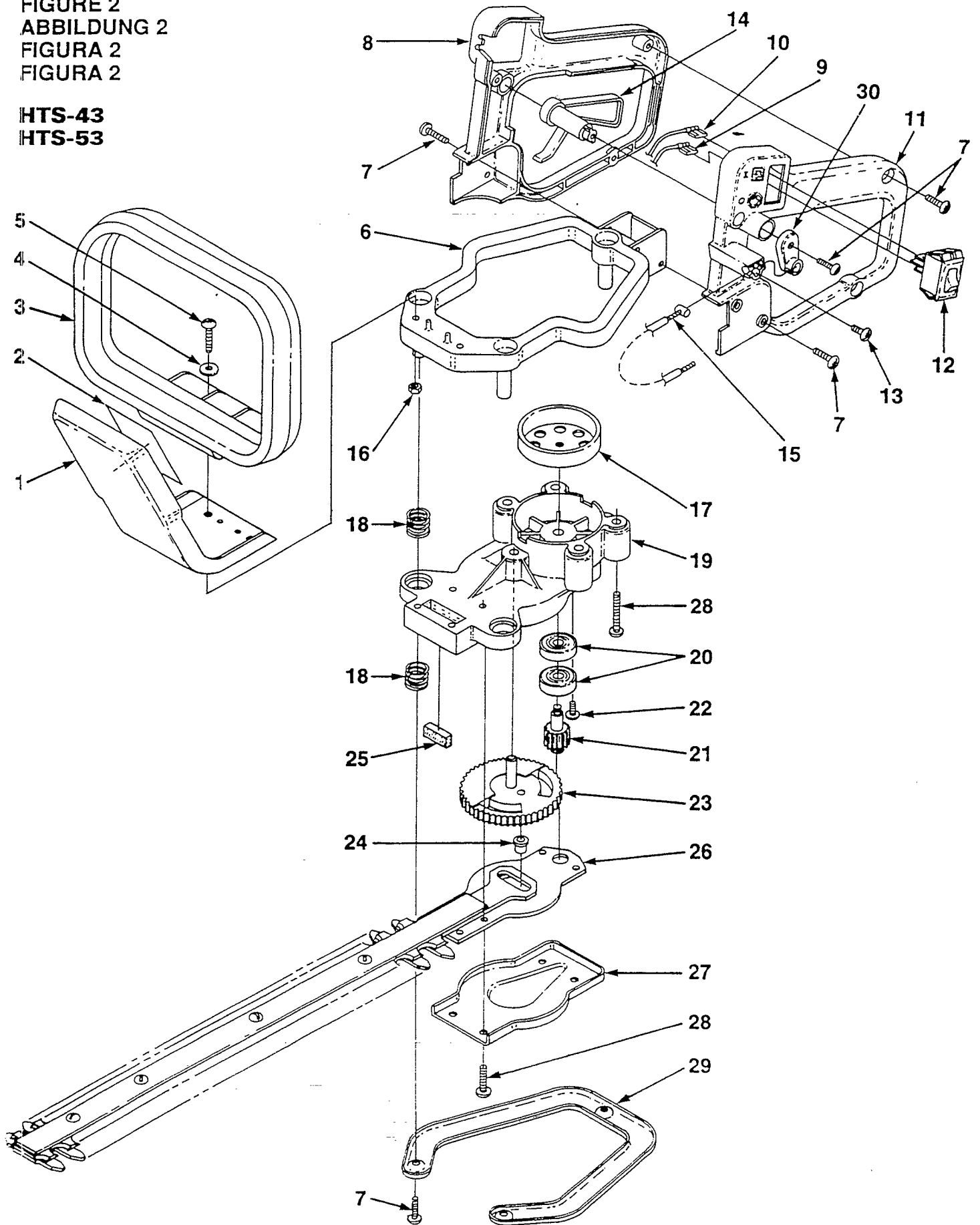
No. No. Nr. No. N°.	Part No. No. de piece Best.-Nr. No. de Pieza Pezzo N°.	Description	Qty. Qte. Menge Cant. Qta.
35	81208	NUT - (10-24)	2
36	00917-B	HEAT DAM	1
37	98766	GASKET - Carburetor	1
38	A-00962-A	CARBURETOR (WALBRO)	1
39	× A-00933-A	CARBURETOR (ZAMA)	1
39	82549-1	SCREW - Taptite (10-24 x 1")	2
40	00923	ROTOR	1
41	01325	WASHER - Conical	1
42	81191	NUT - Hex (7/16-20)	1
43	A-00335	HOUSING - Air Filter	1
44	82542	SCREW - (10-24 x 2 1/4")	2
45	00934	FILTER - Air	1
46	00924	PULLEY - Starter	1
47	A-97908	SPRING & CONTAINER	1
48	97899-02	ROPE - Starter	1
49	02264	GRIP - Starter Rope	1
50	A-01664-3	HOUSING - Engine (Yellow)	1
51	98843	BEARING - Ball	1
52	96981-1A	BUSHING - Starter	1
53	70788	WASHER - Belleville	2
54	00961-1	CLUTCH - (S)	1
55	A-00943	LEAD - Ground	1
56	84003	WASHER - Flat (#10)	1
57	00941	SWITCH	1
58	00928	PAWL - Starter	1
59	00929	SPRING - Torsion	1
60	A-00942	LEAD - Electric	1

- **ASSEMBLIES**
- **ENSEMBLES**
- **BAUSATZE**
- **CONJUNTOS**
- **COMPLESSI**

- Your original carburetor may be identified as Walbro or Zama. Either replacement type will work with your hedge trimmer.
- La marque de votre carburateur d'origine peut être soit Walbro, soit Zama. Ces deux types peuvent être utilisés sur votre taille-haies.
- Ihr Original-Vergaser kann ein Walbro oder Zama sein. Als Ersatzteil für Ihre Heckenschere passen beide Typen.
- El carburador original puede ser de Walbro o Zama, Ambos tipos de carburador de repuesto funcionarán con su podadora.
- Il carburatore originale potrebbe essere identificato dalle diciture Walbro o Zama. Entrambi i tipi di ricambio funzionano con il tosaboardi in dotazione.

FIGURE 2
FIGURE 2
ABBILDUNG 2
FIGURA 2
FIGURA 2

HTS-43
HTS-53



No. No. Nr. No. N°.	Part No. No. de pièce Best.-Nr. No. de Pieza Pezzo N°.	Description	Qty. Qté. Menge Cant. Qtà.
1	01972	GUARD - Hand	1
2	02985	DECAL - Warning	1
3	00936-A	HANDLE - Front	1
4	95249	WASHER - Flat (10-24)	2
5	82538	SCREW - Taptite (10-24 x 3/4")	2
6	01007	BASE - Vibration Isolator	1
7	82536	SCREW - Plastite (#8 x 3/4")	11
8	00938	HANDLE - Rear (right)	1
9	A-00942	LEAD - Electrical	1
10	A-00943	LEAD - Ground	1
11	00939	HANDLE - Rear (left)	1
12	00941	SWITCH	1
13	82541	SCREW - Plastite (#10 x 1/2")	2
14	00958	TRIGGER	1
15	01973	CABLE - Throttle	1
16	81208	NUT - (10-24)	2
17	00949-A	DRUM - Clutch	1
18	01009	SPRING - Compression	6
19	• A-01526	GEAR BOX ASSEMBLY	1
20	98843	BEARING - Ball	2
21	A-01313	PINION & SCREW ASSY.	1
22	82541	SCREW - plastite (#10 x 1/2")	1
23	A-01312	GEAR & PIN ASSY.	1
24	00955	BUSHING	1
25	00935	BLADE SEAL	1
26	A-00956-A	BLADE ASSY. (HTS-43)	1
	A-01841-A	BLADE ASSY. (HTS-53)	1
27	00954	COVER - Gear box	1
28	82537	SCREW - Plastite (#10 x 7/8")	10
29	01013	BRACE	1
30	00959-A	LEVER - Trigger	1

- ASSEMBLIES
- ENSEMBLES
- BAUSATZE
- CONJUNTOS
- COMPLESSI

FIGURE 3
 FIGURE 3
 ABBILDUNG 3
 FIGURA 3
 FIGURA 3
HTS-43
HTS-53

CARBURETORS
CARBURATEURS
VERGASER
CARBURADORES
CARBURATORI

When ordering parts, refer to the manufacturer's name (Walbro or Zama) and use the correct Parts List.

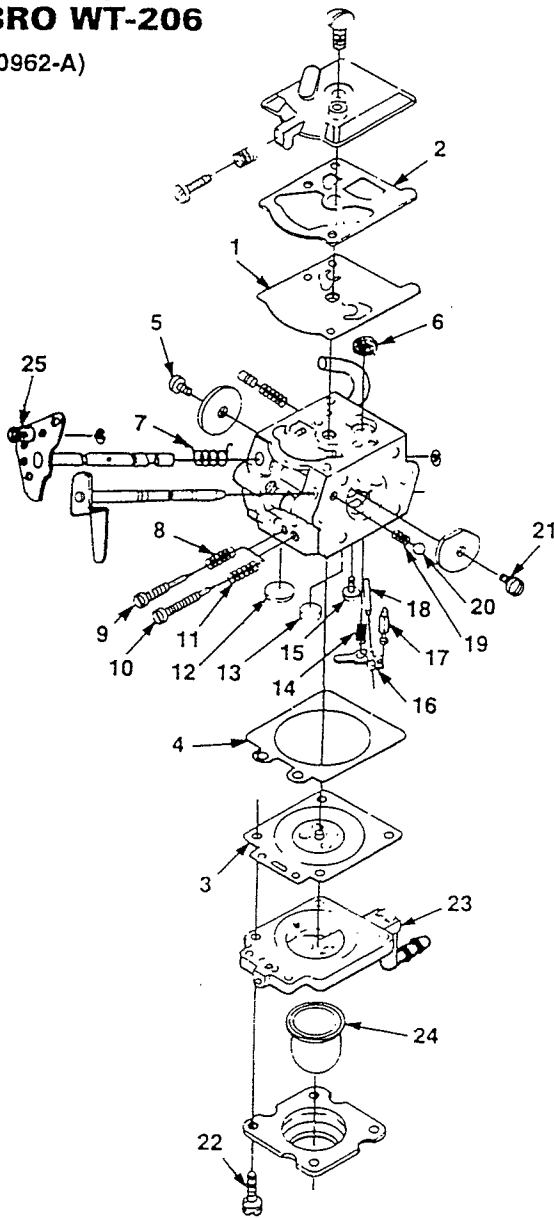
Lorsque vous commandez des pièces de rechange, trouvez le nom du fabricant (Walbro ou Zama) et utilisez la liste de pièces de rechange correcte.

Bei der Bestellung von Ersatzteilen bitte den Hersteller (Walbro oder Zama) beachten, und die richtige Ersatzteilliste benutzen.

Al momento di ordinare pezzi di ricambio, fare riferimento al nome del fabbricante (Walbro o Zama) ed usare l'elenco corretto dei pezzi di ricambio.

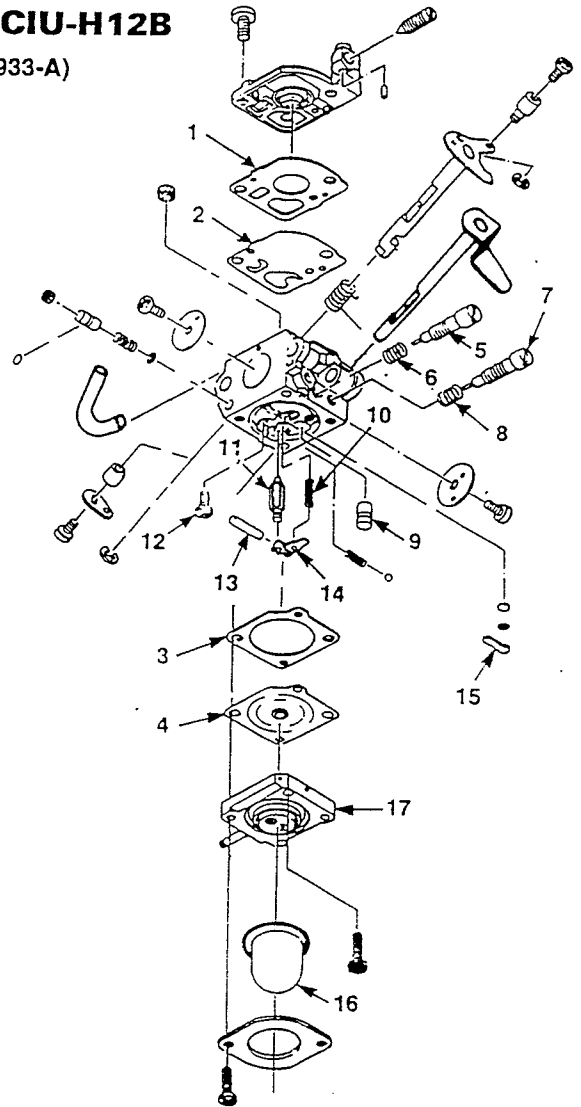
Al pedir piezas de repuesto, búsque el nombre del fabricante (Walbro o Zama) y use la lista de piezas de repuesto correspondiente.

HTS-43
WALBRO WT-206
 (A-00962-A)



NO.	PART NO.	DESCRIPTION
1-4	A-00285-A	GASKET KIT
1-22	A-02911	REPAIR KIT
23	A-02894	PRIMER BASE KIT
24	01201	PRIMER BULB
25	A-00289	SWIVEL KIT

ZAMA CIU-H12B
 (A-00933-A)



NO.	PART NO.	DESCRIPTION
1-4	A-03980	GASKET/DIAPHRAGM KIT
1-15	A-03979	REPAIR KIT
16	A-01195-A	PRIMER BULB
17	02934	PRIMER BASE KIT (Plastic)*
	01784	PRIMER BASE KIT (Aluminum)*

* Primer base kits are not interchangeable.

* Les jeux de base d'amorçage ne sont pas interchangeables.

* Sockelsätze für die Vorpumpe sind nicht austauschbar.

* I kit della base del cicchetto non sono intercambiabili.

* Los juegos de base de cebador no son intercambiables.