



PARTS LIST

HEDGE TRIMMERS

CHT2300B

NOTE :

1. Use KOMATSU ZENOAH genuine parts specified in the parts list for repair and/or replacement.
2. KOMATSU ZENOAH does not warrant the machines, those which have been damaged by the use of any parts other than those specified by the company.
3. When placing orders of parts for repair and/or replacement, check if the model name and the serial number are suitable to those specified in the parts list, then use parts number described in the parts list.
4. The contents described in the parts list may change due to improvement.
5. The parts for the machine shall be supplied within ten (10) years after the machine is discontinued. [It is possible that some specific parts may be subject to change of their delivery term and list price within the limit of ten (10) years after the machine is discontinued. And it is also possible that some parts may be available even after the limit of ten (10) years.]

APPLICABLE SERIAL NUMBERS: HT2300A

DRIVE UNIT	773	and up
ENGINE UNIT	962804	and up

APPLICABLE SERIAL NUMBERS: CHT2300B

DRIVE UNIT	1491	and up
ENGINE UNIT	965447	and up

July 2002

Fig. 3 CUTTER GROUP CHT2300B

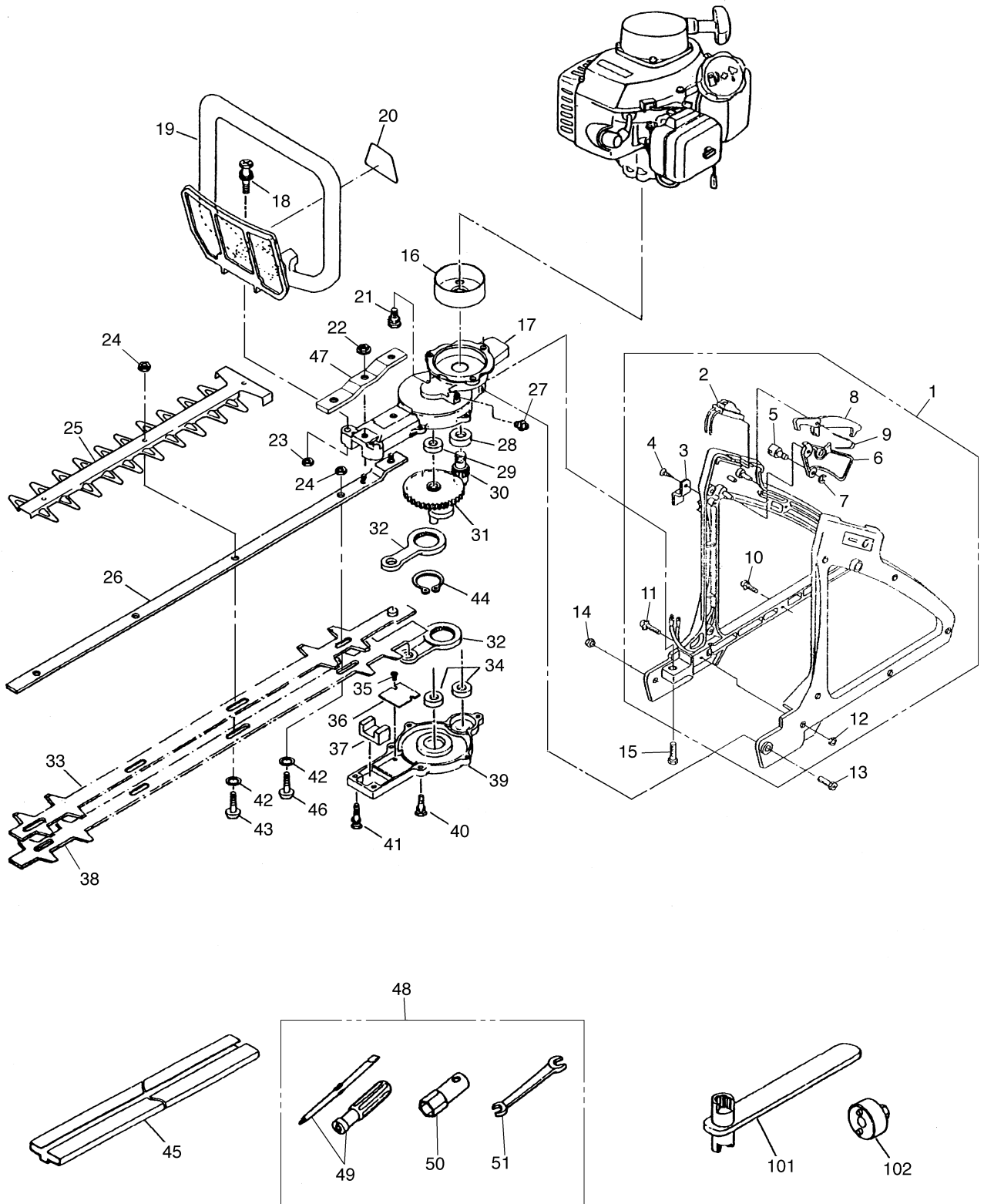


Fig. 3 CUTTER GROUP CHT2300B

Key#	DESCRIPTION	PART NUMBER	Q'TY /UNIT	NOTE	Key#	DESCRIPTION	PART NUMBER	Q'TY /UNIT	NOTE
1	Handle, rear-A	6840-13100	1						
2	• Switch-A	6845-13130	1						
3	• Plate	3873-13170	1						
4	• Screw	3873-13180	1						
5	• Wire end	3873-13210	1						
6	• Lever	3873-13221	1						
7	• Snap ring	3873-13230	1						
8	• Stopper	6845-13310	1						
9	• Spring	6845-13320	1						
10	• Screw	3873-13240	5						
11	• Screw	3873-13250	1						
12	• Nut	0280-10403	6						
13	Bolt	0225-50650	1	M6x50					
14	Nut	0280-10605	1	M6					
15	Bolt	0225-50640	1	M6x40					
16	Clutch drum	3884-11410	1						
17	Middle case	3873-11111	1						
18	Bolt	0225-30635	2	M6x35					
19	Front handle	3873-12102	1						
20	Label	6844-12190	1						
21	Bolt	0225-10614	2	M6x14					
22	Nut	3880-11140	2	M5					
23	Nut	0280-10605	2	M6					
24	Nut	3880-11790	4	M6U					
25	Blade Guard	6845-11910	1						
26	Guide plate	3873-11613	1						
27	Grease fitting	3199-13350	1						
28	Bearing	06004-06001	1	6001 2RS					
29	Bearing	06001-00608	1	608Z					
30	Pinion	3884-11420	1						
31	Gear comp.	6830-11400	1						
32	Rod ass'y	3873-11500	2						
33	Upper blade	3873-11720	1						
34	Bearing	06001-00608	2	608Z					
35	Screw	0260-00305	2	M3x5					
36	Plate	3880-11340	1						
37	Felt	3873-11320	1						
38	Lower blade	3873-11730	1						
39	Lower case	3873-11210	1						
40	Bolt	0225-10516	5	M5x16					
41	Bolt	0225-10520	2	M5x20					
42	Washer	3880-11780	4						
43	Screw	3884-11750	3	M6x19					
44	Snap ring	04064-02512	1						
45	Cover, blade	6836-91140	1						
46	Screw	3884-11660	1	M6x22					
47	Plate	3876-11670	1						
48	Tool set	1111-91003	1						
49	• Screwdriver	1030-91340	1						
50	• Socket, Hex 3/4"	1110-91320	1						
51	• Spanner, 8x10	3540-91120	1						
101	Wrench	3880-95020	(1)	Optional part					
102	Wrench	3880-95010	(1)	Optional part					

Fig. 4 ENGINE GROUP CHT2300B

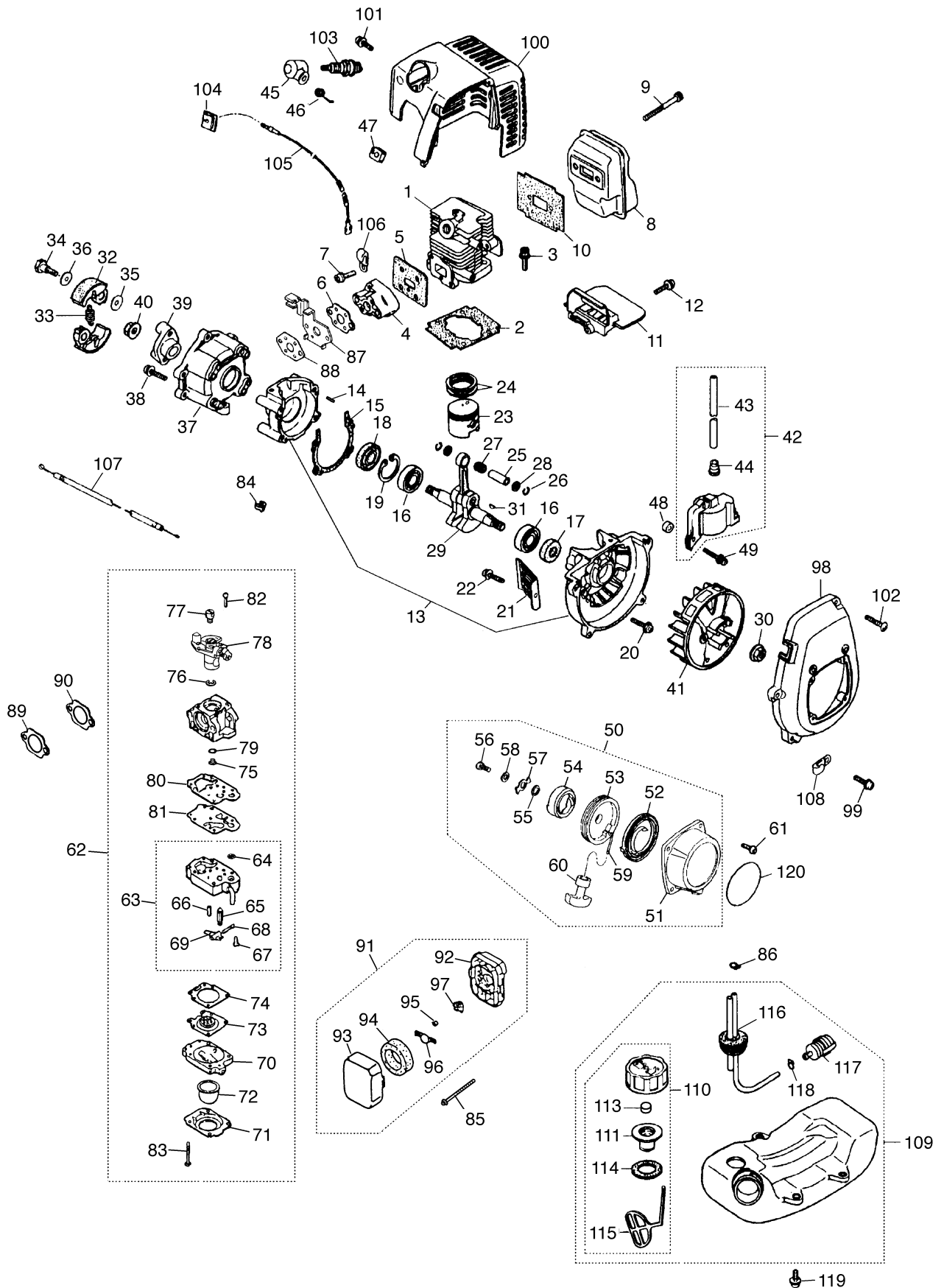


Fig. 4 ENGINE GROUP CHT2300B

Key#	DESCRIPTION	PART NUMBER	Q'TY /UNIT	NOTE
1	Cylinder	5600-12110	1	
2	Gasket, base	5500-12213	1	
3	Bolt	1850-12130	2	M5x22
4	Insulator	5500-13163	1	
5	Gasket, insulator	5500-13121	1	
6	Gasket, carb	5500-13131	1	
7	Screw	0263-90520	2	M5x20
8	Muffler	5601-15110	1	
9	Bolt	01252-30550	2	M5x50
10	Gasket, muffler	5600-15210	1	
11	Plate, muffler	5600-15220	1	
12	Screw	0263-90416	1	M4x16
13	Crancase comp	5600-21100	1	
14	• Pin	2629-21130	3	
15	Gasket, case	5500-21141	1	
16	Bearing	06030-06001	2	
17	Oil seal	2169-21210	1	
18	Oil seal	1850-21220	1	
19	Snap ring	04065-02812	1	
20	Bolt	01252-30530	4	M5x30
21	Guard	5500-22110	1	
22	Screw	0263-90514	1	M5x14
23	Piston	5600-41111	1	
24	Ring, piston	1100-41210	2	
25	Pin, piston	1101-41310	1	
26	Snap ring	1260-41320	2	
27	Bearing	5500-41410	1	
28	Washer	1101-41340	2	
29	Crankshaft comp	5600-42001	1	
30	Nut	1650-43230	1	
31	Key	1000-43240	1	
32	Shoe	1140-51111	2	
33	Spring	1600-51223	1	
34	Screw	1140-51250	2	
35	Washer	1140-51230	2	
36	Washer	1970-51241	2	
37	Case, clutch	5600-52110	1	
38	Screw	0263-90516	4	M5x16
39	Plate, clutch	5600-52150	1	
40	Nut	1650-43230	1	
41	Rotor	5601-71110	1	
42	Coil ass'y	5600-71200	1	
43	• Cord	5600-71220	1	
44	• Cap	2616-71320	1	
45	Cap, spark plug	5500-72110	1	
46	Spring	1900-72120	1	
47	Grommet	5500-72130	1	
48	Spacer	1260-71261	2	
49	Bolt	3310-72150	2	M4x25
50	Recoil ass'y	5990-75102	1	
51	• Case, recoil	5990-75110	1	
52	• Spring, Spiral	5990-75120	1	
53	• Reel	5990-75131	1	
54	• Ratchet	5990-75141	1	
55	• Spring	5990-75151	1	
56	• Screw	5990-75270	1	
57	• Retainer	5990-75160	1	
58	• Washer	5990-75170	1	
59	• Rope	1861-75180	1	
60	• Knob	1490-75181	1	
61	Screw	0263-90412	4	M4x12
62	Carburetor ass'y	5606-81000	1	
63	• Body ass'y	1850-81450	1	

Key#	DESCRIPTION	PART NUMBER	Q'TY /UNIT	NOTE
64	•• Screen	3306-81380	1	
65	•• Valve	3356-81310	1	
66	•• Spring	1850-81270	1	
67	•• Screw	1850-81220	1	
68	•• Pin	3310-81250	1	
69	•• Lever	3310-81230	1	
70	• Body	1850-81490	1	
71	• Cover	1850-81520	1	
72	• Pump	1751-81510	1	
73	• Diaphragm	3310-81260	1	
74	• Gasket	1850-81470	1	
75	• Jet	5628-81250	1	
76	• Ring	1751-81130	1	
77	• Swivel	1881-81140	1	
78	• Valve	5606-81150	1	
79	• O-ring	1751-81240	1	
80	• Gasket	5606-81410	1	
81	• Diaphragm	1065-81420	1	
82	• Screw	5850-81110	2	
83	• Screw	1850-81530	4	
84	Cap	1601-81810	1	
85	Screw	0263-90570	2	M5x70
86	Clip	1950-86120	1	
87	Bracket	5628-83221	1	
88	Gasket	5500-13131	1	
89	Plate	5606-82510	1	
90	Gasket	5606-82520	2	
91	Cleaner ass'y	5731-82001	1	
92	• Housing	5731-82011	1	
93	• Cover	5730-82040	1	
94	• Filter	1750-82020	1	
95	• Sleeve	5730-82060	2	
96	• Plate	5730-82140	1	
97	• Screen	5730-82180	1	
98	Cover, fan	5600-31110	1	
99	Screw	0263-90520	1	M5x20
100	Cover, ass'y	5600-32100	1	
101	Screw	1850-32160	1	M5x12
102	Screw	1900-31410	1	
103	Spark plug	5933-73110	1	BPMR7A
104	Grommet	1852-72121	1	
105	Cord comp	5601-73200	1	
106	Clamp	1140-72231	1	
107	Cable comp	5601-83100	1	
108	Clamp	1140-72231	1	
109	Tank ass'y	5607-85002	1	
110	• Cap ass'y	5607-85201	1	
111	•• Holder ass'y	5601-85300	1	
113	•• Filter	5601-85260	1	
114	•• Packing	5500-85220	1	
115	•• Stopper	4820-85260	1	
116	• Pipe, comp	5500-85300	1	
117	• Filter ass'y	5500-85400	1	
118	• Clip	1260-85460	1	
119	Screw	5500-85510	3	M5x16
120	Label, recoil	5608-91120	1	