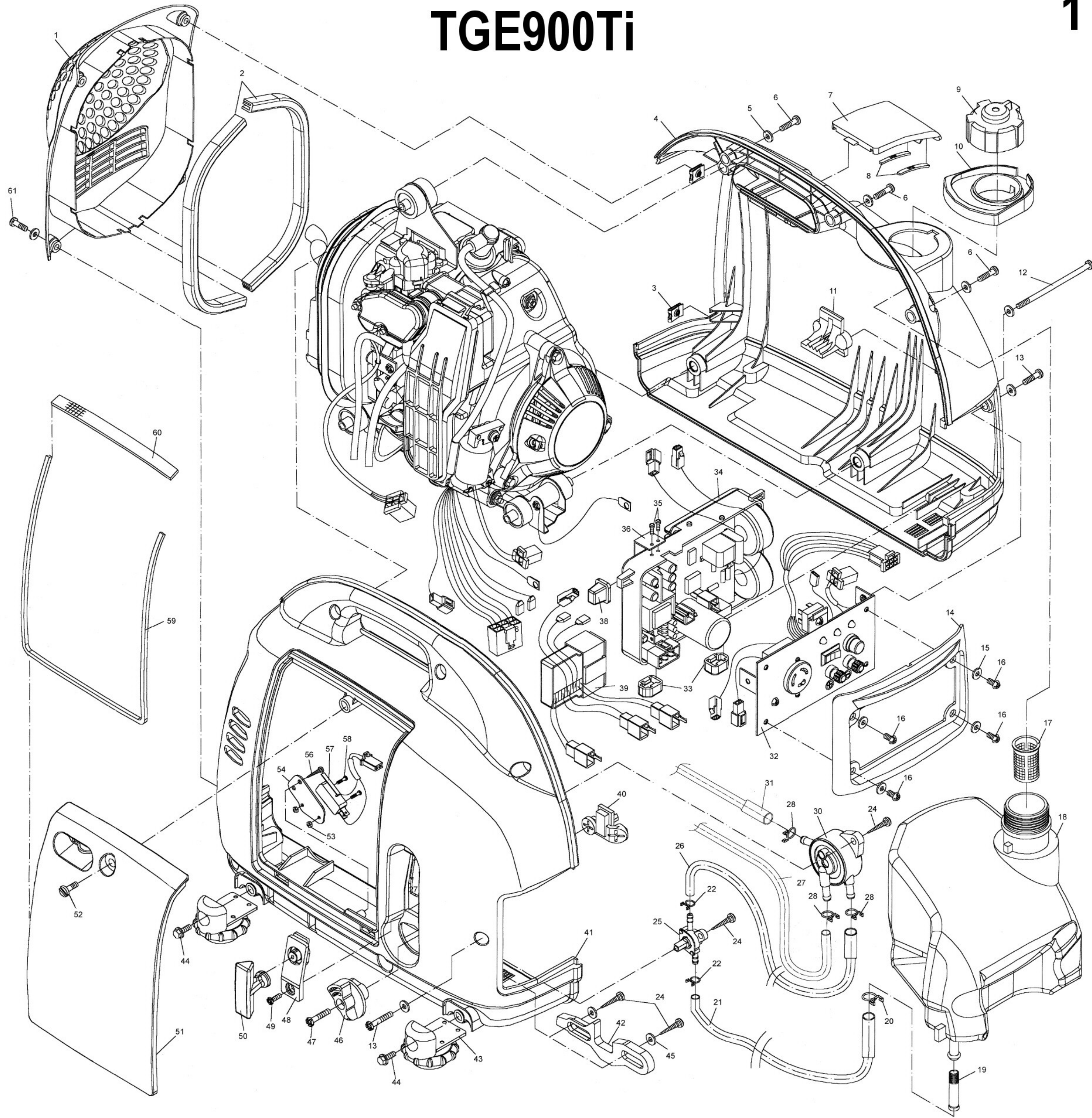
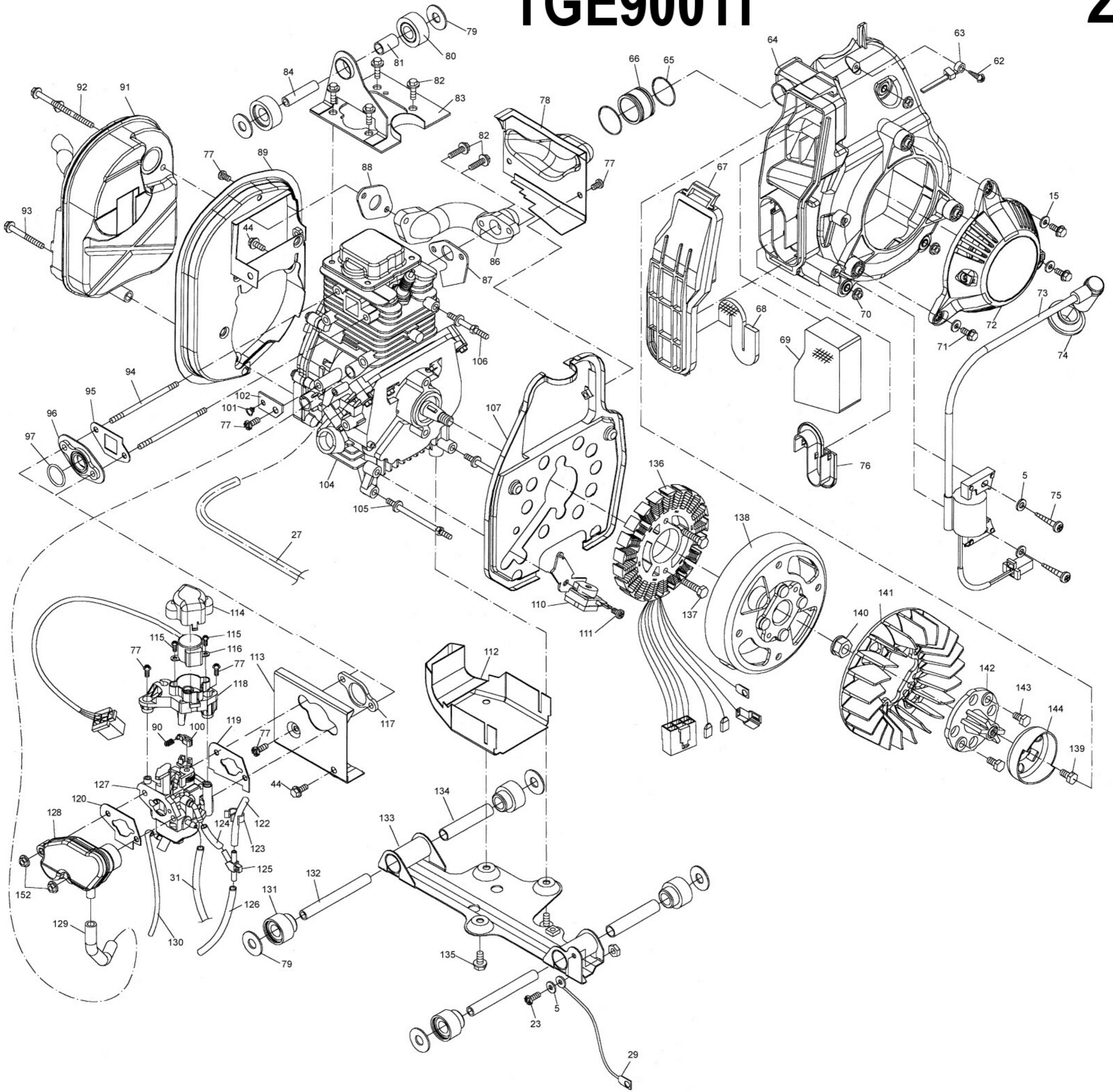


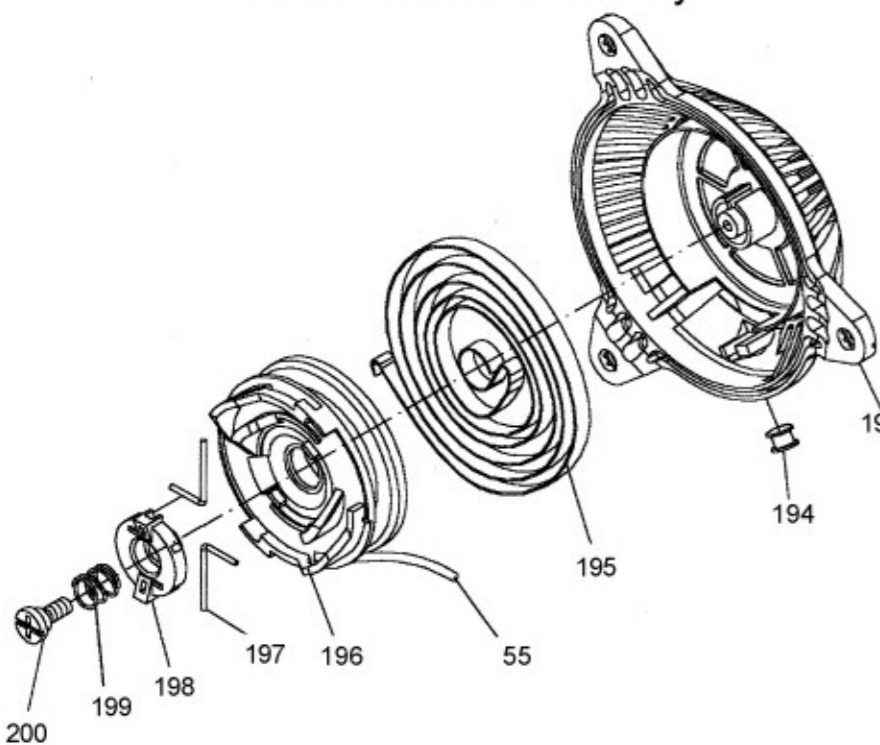
TGE900Ti



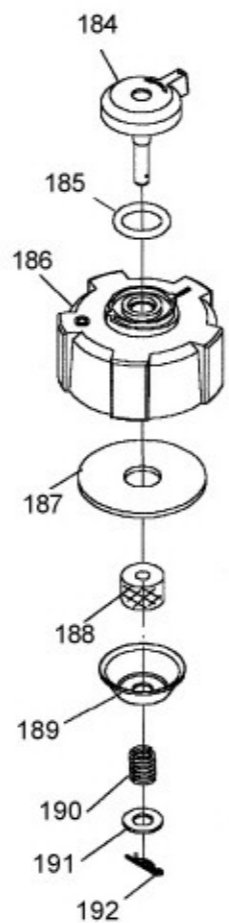
Pos	Vare nr. / Part no.	Qty	Beskrivelse	Description
1	291454	1	DÆKSEL V/ UDSTØDNING	REAR CASE
2	291455	2	GUMMI MANCHET	SEAL STRIP
3	291456	6	KLIPS	COUPLER
4	291457	1	HØJRE HUS	RIGHT CASE
5	291458	8	PAKNING	GASKET
6	291459	3	SKRUE M6 X 20	SCREW M6 X 20
7	291460	1	LÅG	LID
8	291461	2	GUMMI	SPONGE STRIP
9	291462	1	TANK LÅG	FUEL TANK COVER
10	291463	1	AFDÆKNING	PROTECTIVE SLEEVE
11	291464	1	HOLDER	CROSS TYPE PROTECTIVE HOLDER OF RIGHT CASE
12	291465	2	BOLT M6 X 105	BOLT M6 X 105
13	291466	2	SKRUE M6 X 20	SCREW M6 X 20
14	291467	1	RAMME V/ PANEL	FRONT CASE
15	291468	14	PAKNING 5	GASKET 5
16	291469	4	SKRUE M5 X 20	SCREW M5 X 20
17	291470	1	FILTER	FILTER
18	291471	1	TANK	TANK
19	291472	1	FILTER	FILTER
20	291473	1	KLEMME Ø 10	CLIP Ø10
21	291474	1	SLANGE	FUEL PIPE 1
22	291475	1	SLANGE Ø7	FUEL PIPE Ø7
23	291476	1	SKRUE M6 X 16	SCREW M6 X 16
24	291477	5	SKRUE ST 4.6 X 20	SCREW ST 4.6 X 20
25	291478		BRÆNDSTOFVENTIL KOMPLET	FUEL VALVE ASSEMBLY
26	291479	1	SLANGE 2	FUEL PIPE 2
27	291480	1	LUFTINDTAG	AIR INLET CONDUIT
28	291481	3	KLEMME Ø9	CLIP Ø9
29	291482	1	STEL KABEL	GROUND CABLE OF ENGINE MOUNTING
30	291483	1	BRÆNDSTOFPUMPE	VACCUM FUEL PUMP
31	291231	1	SLANGE	FUEL PIPE
32	291232	1	KONTROLPANEL	CONTROL PANEL
33	291233	2	GUMMIDÆMPER	CUSHION
34	291234	1	ELEKTRONIKSTYRING	INVERTER MODULE
35	291235	2	SKRUE M3X10	H-TYPE PLUS SCREW M3X10
36	291236	1	BESLAG	STARTER FIXING PLATE
37	291237			
38	291238	1	GUMMIDÆMPER	SQUARE TYPE RUBBER PROTECTIVE FRAME
39	291239	1	STARTER	STARTER CONTROLLER
40	291240	1	BESLAG	CROSS TYPE PROTECTIVE HOLDER OF LEFT CASE
41	291241	1	DÆKSEL VENSTRE	LEFT CASE
42	291242	1	STYR	MICRO-ACTIVE SWITCH GUARDER
43	291243	4	STØTTEBEN	CUSHION BLOCK
44	291244	7	BOLT M6X10	HEXAGONAL FLANGE BOLT M6X10
45	291245	2	SKIVE	BIG GASKET 5
46	291246	1	ON/OFF KONTAKT	OIL SWITCH LEVER
47	291247	1	SKRUE	SCREW
48	291248	1	PLADE	FIXING GUARDER OF STARTER HANDLE
49	291249	2	SKRUE M5X12	H-TYPE PLUS SCREW M5X12
50	291250	1	STARTHÅNDTAG	STARTER HANDLE
51	291251	1	DÆKSEL	LEFT CASE LID
52	291252	1	SKRUE M6	SCREW M6
53	291253	7	MØTRIK M3	NUT M3



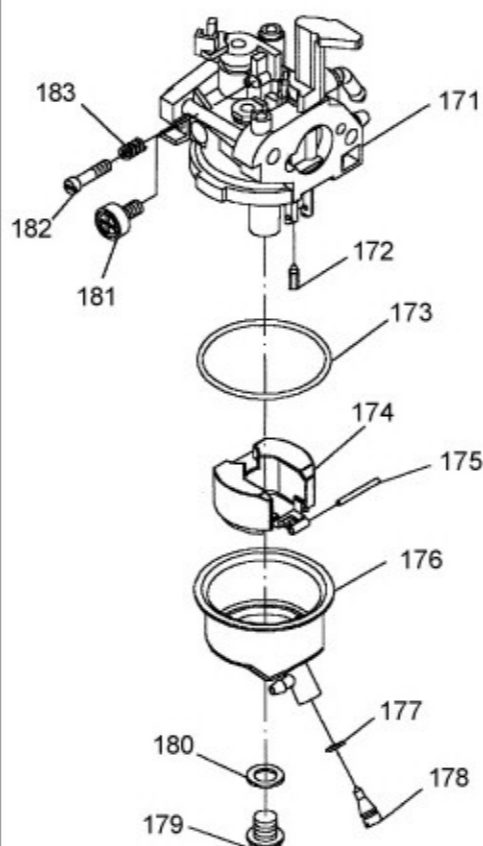
Recoil starter assembly



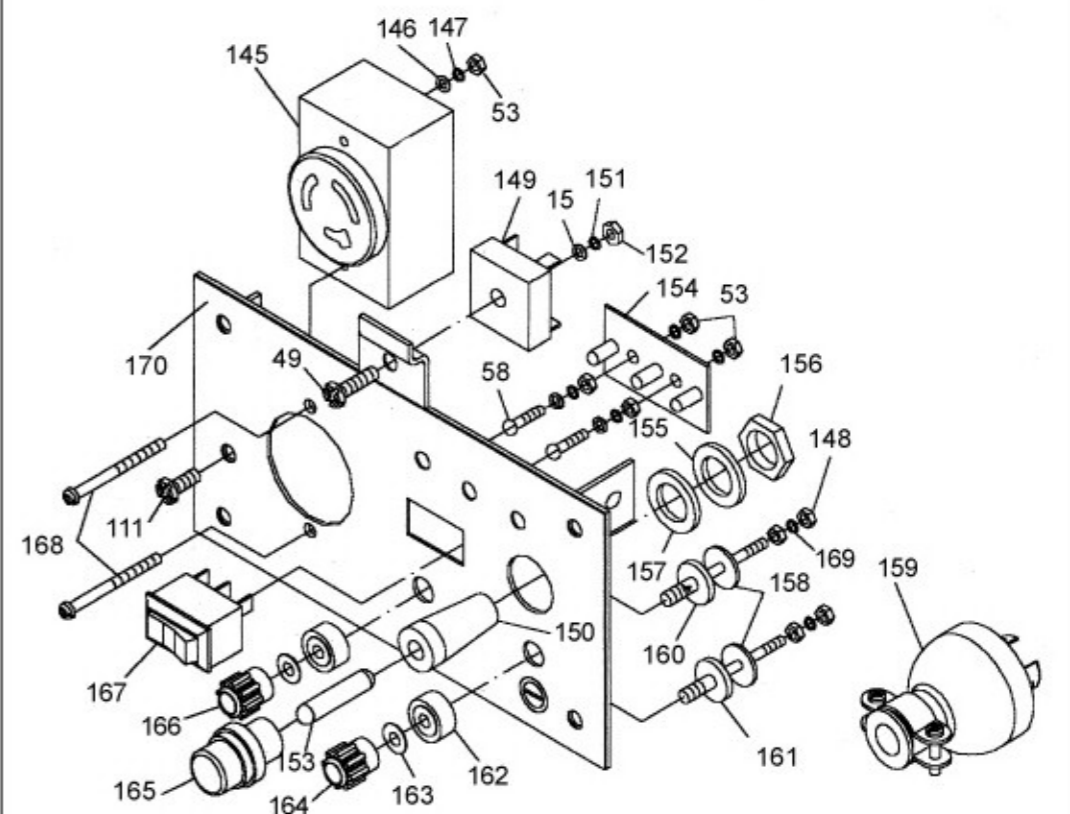
Fuel tank cover assembly



Carburetor assembly

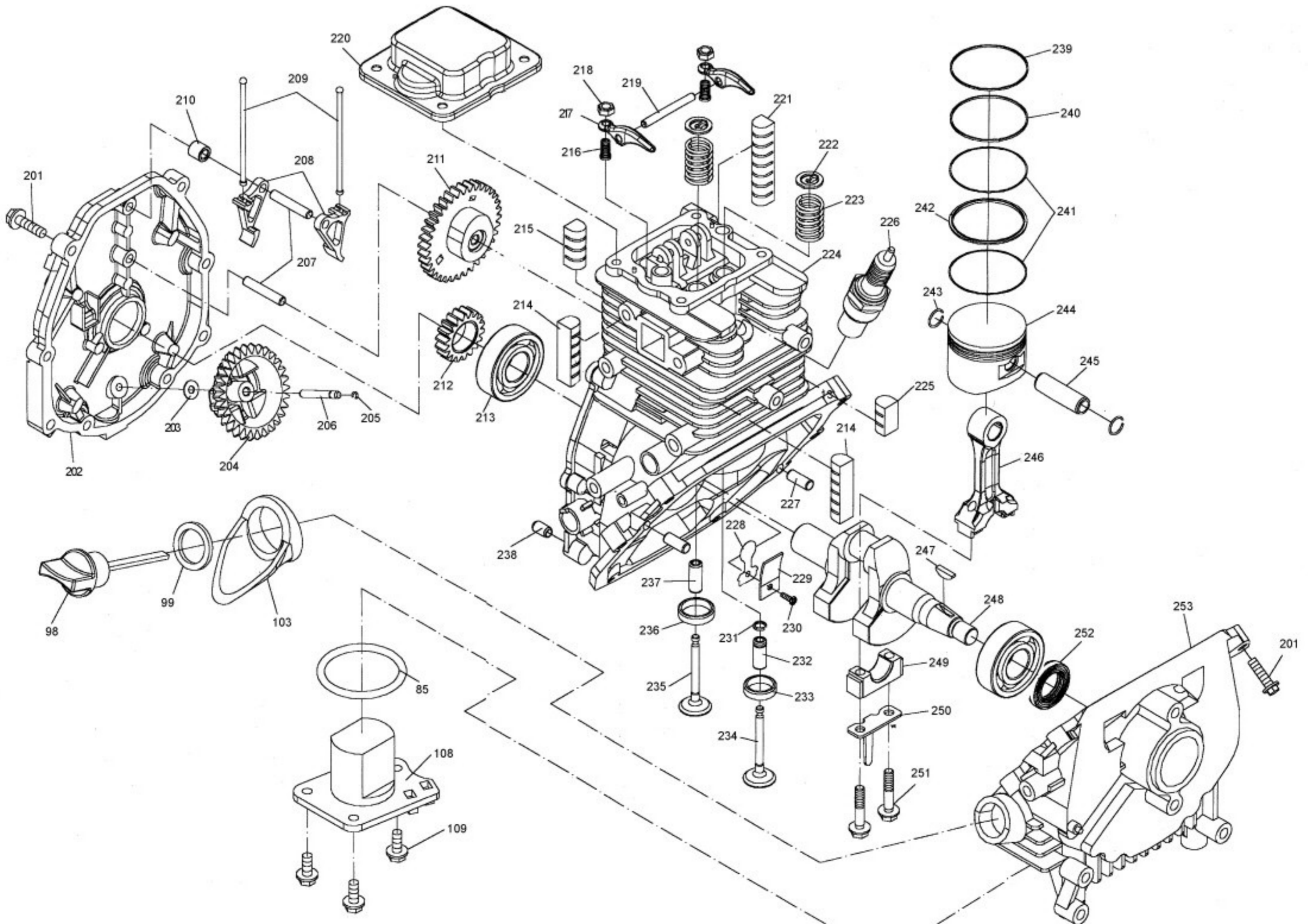
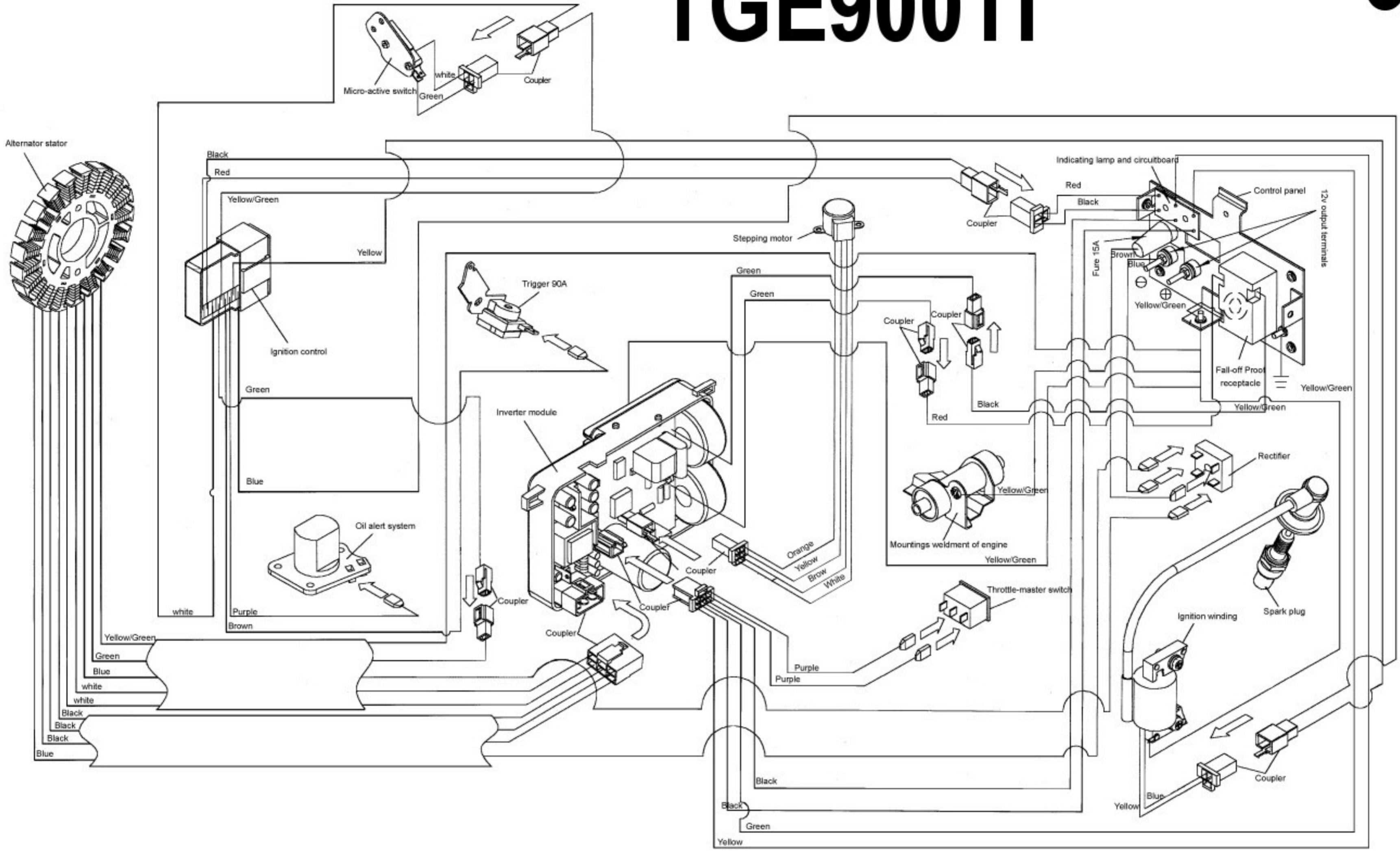


Control panel assembly



Pos	Vare nr. / Part no.	Qty	Beskrivelse	Description
54	291254	1	PLADE	MICRO-ACTIVE SWITCH FIXING PLATE
55	291255	1	STARTSNOR	ROPE
56	291256	2	SKRUE 3.5X10	SELF-TAPPING PLUS SCREW ST3.5X10-C-H
57	291257	1	KONTAKT	MICRO-ACTIVE SWITCH
58	291258	2	SKRUE M3X15	H-TYPE PLUS SCREW M3X15
59	291259	1	PAKNING	SPONGE STRIP(1)
60	291260	1	PAKNING	SPONGE STRIP(2)
61	291261	4	SKRUE M5X20	H-TYPE PLUSE SCREW M5X20
62	291262	1	SKRUE 4.8X10	SELF-TAPPING PLUS SCREW ST4.8X10-C-H
63	291263	1	HOLDER	NYLON FASTNER 4X200(WITH HOLE)
64	291264	1	DÆKSEL	AIR GUIDE COVER
65	291265	2	SPÆNDEBÅND	CLAMP
66	291266	1	MELLEMSTYKKE	CONNECTING PIPE
67	291267	1	LUFTFILTERDÆKSEL	AIR CLEANER COVER
68	291268	1	PAKNING	SEAL PACKING
69	291269	1	LUFTFILTER	ELEMENT
70	291270	3	FLANGEMØTRIK M6	HEXAGONAL FLANGE NUT M6
71	291271	5	BOLT M6	HEXAGONAL FLANGE BOLT M5X12
72	291272	1	REKYLSTARTER	STARTER REEL
73	291273	1	TÆNDSPOLE	IGNITION WINDING
74	291274	1	GUMMIHÆTTE	DAMPING SLEEVE
75	291275	2	SKRUE 5.5X25	SELF-TAPPING PLUS SCREW ST5.5X25-C-H
76	291276	1	AFSTANDSSTYKKE	SPACER
77	291277	7	SKRUE M3X15	H-TYPE PLUS SCREW M3X15
78	291278	1	PLADE	CYLINDER HEAD AIR GUIDE PLATE(2) WELDMENT
79	291279	6	SKIVE	GASKET
80	291280	2	GUMMIDÆMPER	UPPER DAMPING SLEEVE
81	291281	1	BØS	UPPER SHAFT SLEEVE
82	291282	6	BOLT M5X20	HEXAGONAL FLANGE BOLT M5X20
83	291283	1	PLADE	FIXING PLATE WELDMENT OF CYLINDER HEAD
84	291284	1	BØS	UPPER HOLLOW SHAFI
85	291285	1	O-RING	O-RING
86	291286	1	UDSTØDNINGSRØR	EXHAUST PIPE
87	291287	1	PAKNING	EXHAUST PIPE WASHER
88	291288	1	PAKNING	MUFFLER WASHER
89	291289	1	DÆKSEL	MUFFLER CASE WELDMENT
90	291290	1	FJEDER	LOCATION SPRING
91	291291	1	UDSTØDNING	MUFFLER
92	291292	2	BOLT M5X40	HEXAGONAL FLANGE BOLT M5X40
93	291293	1	BOLT M6X45	HEXAGONAL FLANGE BOLT M6X45
94	291294	2	PINBOLT	AIR INLET PIPE STUD
95	291295	1	PAKNING	AIR INLET PIPE WASHER
96	291296	1	VARMESKJOLD	HEAT SHIELD OF CARBURETTOR
97	291297	1	O-RING	O-RING
98	291298	1	OLIEPIND	OIL DIPSTICK
99	291299	1	PAKNING	OIL DIPSTICK WASHER
100	291300	1	STYR	LOCATION FORK
101	291301	1	CLIPS	WIRE CLIP
102	291302	1	PLADE	FIXING PLATE OF WIRE CLIP
103	291303	1	DÆKSEL	OIL DIPSTICK SLEEVE
104	291304	1	MOTOR	ENGINE
105	291305	2	PINBOLT	AIR GUIDE COVER STUD(1)
106	291306	1	PINBOLT	AIR GUIDE COVER STUD(2)
107	291307	1	PLADE	CLAPBOARD WELDMENT
108	291308	1	OLIEALARM	OIL ALERT SYSTEM

TGE900Ti



Pos	Vare nr. / Part no.	Qty	Beskrivelse	Description
109	291309	3	BOLT M5X15	HEXAGONAL FLANGE BOIT M5X15
110	291310	1	TRIGGER	TRIGGER 90A
111	291311	2	SKRUE M6X10	H-TYPE PLUS SCREW M6X10
112	291312	1	BLÆSESKJOLD	AIR GUIDE PLATE WELDMENT OF OIL SUMP
113	291313	1	PLADE	CYLINDER HEAD AIR GUIDE PLATE(1) WELDMENT
114	291314	1	DÆKSEL FOR STEPMOTOR	BRACKET COVER OF STEPPING MOTOR
115	291315	1	SKRUE M3X8	H-TYPE PLUS SCREW M3X8
116	291316	2	STEMOTOR FOR KABURATOR	STEPPING MOTOR
117	291317	1	INDSUGNINGSPAKNING	CARBURETOR INSULATOR
118	291318	1	HOLDER FOR STEPMOTOR	STEPPING MOTOR BRACKET
119	291319	1	PAKNING	CARBURETOR WASHER A
120	291320	1	PAKNING	CARBURETOR WASHER
121	291321			
122	291322	1	SLANGE	AIR CONDUIT PIPE(1)
123	291323	1	CLAMP	CLAMP
124	291324	1	SLANGE	OVER-FLOW PIPE
125	291325	1	T-STYKKE	TEE PIPE
126	291326	1	SLANGE	AIR CONDUIT PIPE (2)
127	291327	1	KABURATOR	CARBURETOR
128	291328	1	INDSUGNINGSRØR	AIR INLET PIPE
129	291329	1	UDSUGNINGSRØR	AIR OUTLET PIPE
130	291330	1	SLANGE	BLEEDING PIPE
131	291331	4	GUMMIDÆMPER	LOWER DAMPING SLEEVE
132	291332	2	AFSTANDSSTYKKE	LOWER HOLLOW SHAFT
133	291333	1	BESLAG	MOUNTINGS WELDMENT OF ENGINE
134	291334	2	AFSTANDSSTYKKE	LOWER SHAF L SLEEVE
135	291335	3	BOLT M6X16	HEXAGONAL FLANGE BOLT M6X16
136	291336	1	SPOLE	ALTERNATOR STATOR
137	291337	2	BOLT M6X25	HEXAGONAL FLANGE BOLT M6X25
138	291338	1	SVINGHJUL	ALTERNATOR ROTOR
139	291339	1	BOLT M6X12	HEXAGONAL FLANGE BOLT M6X12
140	291340	1	NUT M10	FLYWHEEL NUT M10
141	291341	1	BLÆSERHJUL	IMPELLER
142	291342	1	BESLAG	STARTER RATCHET BRACKET
143	291343	2	BOLT M5X12	HEXAGONAL FLANGE BOLT M5X12
144	291344	1	SKÅL	STARTER RATCHET REEL
145	291345	1	230V STIK	FALL-OFF PROOF RECEPTACLE
146	291346	6	SKIVE	GASKET 3
147	291347	5	LÅSESKIVE	SPRING GASKET 3
148	291348	4	MØTRIK M4	THIN HEXAGONAL NUT M4
149	291349	1	ENSRETTER	RECTIFIER
150	291350	1	SKIVE	FUSE
151	291351	1	SKIVE	SPRING GASKET 5
152	291352	3	FLANGEMØTRIK M5	HEXAGONAL FLANGE NUT M5
153	291353	1	SIKRING 15A	FUSE ELEMENT 15A
154	291354	1	INSTRUMENTPANEL	INDICATING LAMP AND CIRCUIT BOARD
155	291355	1	SKIVE	FUSE
156	291356	1	MØTRIK	FUSE
157	291357	1	SKIVE	FUSE
158	291358	2	MONTERINGSBESLAG	12V TERMINAL
159	291359	1	STIK	FALL-OFF PROOF RECEPTACLE
160	291360	1	TERMINAL POS	12V POSITIVE TERMINAL
161	291361	1	TERMNAL NEG	12V NEGATIVE TERMINAL
162	291362	2	BØS	12V TERMINAL
163	291363	2	SKIVE	GASKET 4
164	291364	1	TERMINAL NEG	12V NEGATIVE TERMINAL

Pos	Vare nr. / Part no.	Qty	Beskrivelse	Description
165	291365	1	SIKRINGSHOLDER	FUSE
166	291366	1	TERMINAL POS	12V POSITIVE TERMINAL
167	291367	1	KONTAKT	TROTTLE-MASTER SWITCH
168	291368	2	SKRUE M3X30	H-TYPE PLUS SCREW M3X30
169	291369	2	SKIVE	SPRING GASKET 4
170	291370	1	PLADE	CONTROL PANEL
171	291371	1	KABURATOR	CARBURETOR BODY
172	291372	1	NÅLEVENTIL	NEEDLE VALVE
173	291373	1	PAKNING	SEAL PACKING
174	291374	1	SVØMMER	FLOAT
175	291375	1	HOLDER FOR SVØMMER	FIXING SHAFT OF FLOAT
176	291376	1	SVØMMEHUS	OUTER CASE OF FLOAT CHAMBER
177	291377	1	PAKNING	SEAL PACKING
178	291378	1	SKRUE	DRAIN SCREW
179	291379	1	BOLT	SET BOLT
180	291380	1	PAKNING	SEAL PACKING
181	291381	1	SKRUE	PRESURE SCREW
182	291382	1	SKRUE	PILOT SCREW
183	291383	1	FJEDER	PILOT SCREW SPRING
184	291384	1	SKIFTEHÅNDTAG	SWITCH LEVER
185	291385	1	O-RING	O-RING
186	291386	1	TANKDÆKSEL	FUEL TANK COVER
187	291387	1	PAKNING	DAMPING SEAL PACKING
188	291388	1	LUFTFILTER	ELEMENT
189	291389	1	BESLAG	BRACKET
190	291390	1	FJEDER	SPRING
191	291391	1	SKIVE	WASHER
192	291392	1	CLIPS	CLIP
193	291393	1	STARTERHUS	BOTTOM CASE OF STARTER REEL
194	291394	1	BØS	ROPE BUSH
195	291395	1	STARTFJEDER	RECOIL STARTER SPRING
196	291396	1	SNORHJUL	STARTER REEL
197	291397	2	PAL	STOP LEVER
198	291398	1	PALHOLDER	STOP LEVER REEL
199	291399	1	FJEDER	FRICTION SPRING
200	291400	1	SKRUE	SCREW
201	291401	14	BOLT M5X20	HEXAGONAL FLANGE BOLT M5X20
202	291402	1	DÆKSEL	CRANKCASE REAR COVER
203	291403	1	SKIVE	WASHER
204	291404	1	OLIEPISKER	OIL DISTRIBUTION GEAR
205	291405	1	LEJE	OIL DISTRIBUTION GEAR BEARING
206	291406	1	AKSEL	CLIP RING 4
207	291407	2	STYRTAP	TAPPET SHAFT
208	291408	2	VENTILLØFTER	AIR VALVE TAPPET
209	291409	2	STØDSTANG	AIR VALVE PUSHING ROD
210	291410	1	BØS	SHAFT BUSHING
211	291411	1	TANDHJUL	CAM AND DRIVING GEAR
212	291412	1	TANDHJUL	CRANKSHAFT TIMING GEAR
213	291413	2	LEJE	BALL BEARING 6203
214	291414	2	DÆMPEM	DAMPING WASHER II
215	291415	1	DÆMPEM	DAMPING WASHER III
216	291416	2	JUSTERMØTRIK	ADJUSTING NUT OF AIR CLEARANCE
217	291417	2	VIPPEARM	AIR VALVE ROCKER ARM
218	291418	2	MØTRIK	ADJUSTING NUT OF AIR CLEARANCE

Pos	Vare nr. / Part no.	Qty	Beskrivelse	Description
219	291419	1	AKSEL	ROCKER ARM SHAFT
220	291420	1	TOPDÆKSEL	CYLINDER HEAD COVER
221	291421	1	DÆMPER	DAMPING WASHER IV
222	291422	2	SÆDE	VALVE SPRING SEAT
223	291423	2	FJEDER	VALVE SPRING
224	291424	1	MOTORBLOK	CRANKCASE BODY
225	291425	1	DÆMPER	DAMPING WASHER I
226	291426	1	TÆNDRØR	SPARK PLUG U16FSR-UB
227	291427	2	STYRTAP	LOCATING PIN OF CRANKCASE
228	291428	1	PLADE	BREATHING PLATE
229	291429	1	PLADE	PRESS PLATE OF BREATHING PLATE
230	291430	1	SKRUE M3X6	H-TYPE PLUS SCREW M3X5
231	291431	1	SKIVE	CLIP BAND 7
232	291432	1	BØS	EXHAUST CONDUIT
233	291433	1	VENTILSÆDE	EXHAUST VALVE SEAT
234	291434	1	VENTILSTYR	EXHAUST VALVE
235	291435	1	VENTILSTYR	INLET VALVE
236	291436	1	VENTILSÆDE	INLET VALVE SEAT
237	291437	1	BØS	INLET CONDUIT
238	291438	2	STYRTAP	LOCATING PIN OF CRANKCASE REAR COVER
239	291439	1	STEMPELRING	FIRST AIR RING
240	291440	1	STEMPELRING	SECOND AIR RING
241	291441	2	STEMPELRING	FLAT TYPE OIL RING
242	291442	1	STEMPELRING	SPRING EXPENDER
243	291443	2	LÅS FOR KRYDSPIND	PISTON PIN RETAINER 10
244	291444	1	STEMPEL	PISTON
245	291445	1	KRYDSPIND	PISTON PIN
246	291446	1	PEJLSTANG	CONNECTING ROD
247	291447	1	NOT	KEY
248	291448	1	KRUMTAP	CRANKSHAFT
249	291449	1	BESLAG	CONNECTING ROD COVER
250	291450	1	OLIEPISKER	OIL NEEDLE
251	291451	2	BOLT	CONNECTING ROD BOLT
252	291452	1	PAKDÅSE	OIL SEAL RING
253	291453	1	DÆKSEL	CRANKCASE COVER