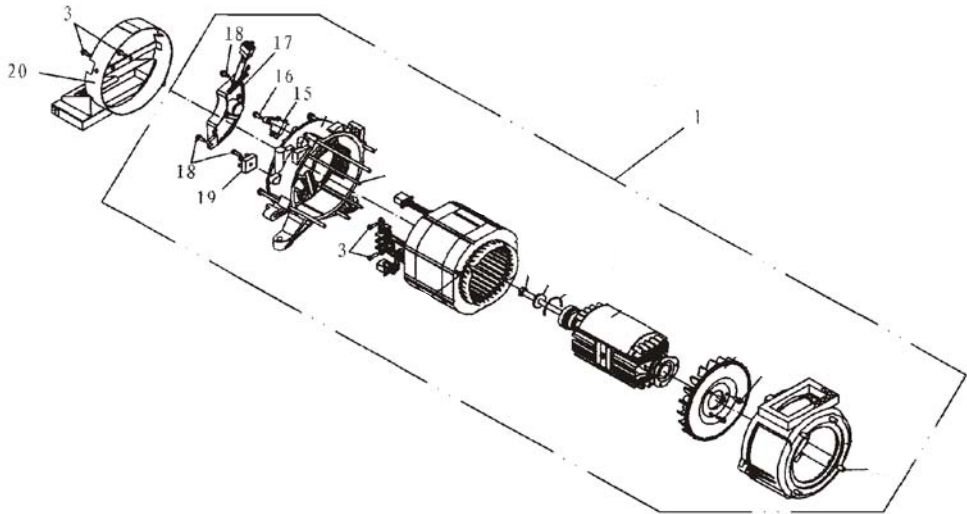
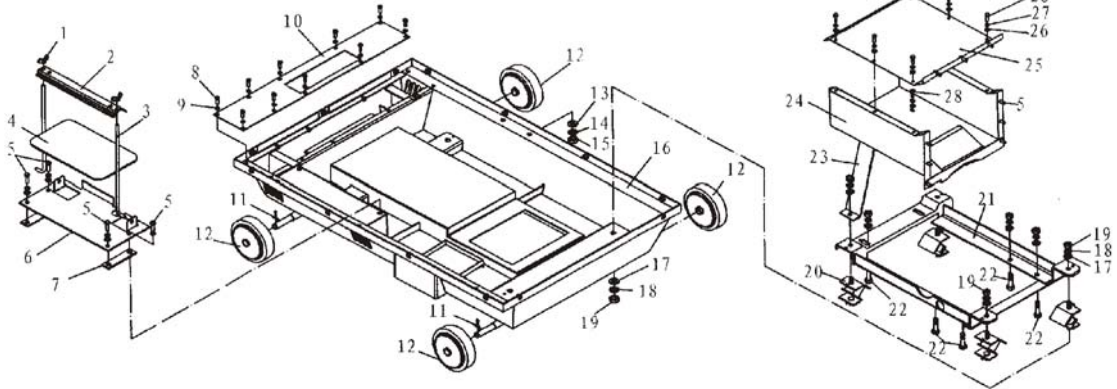


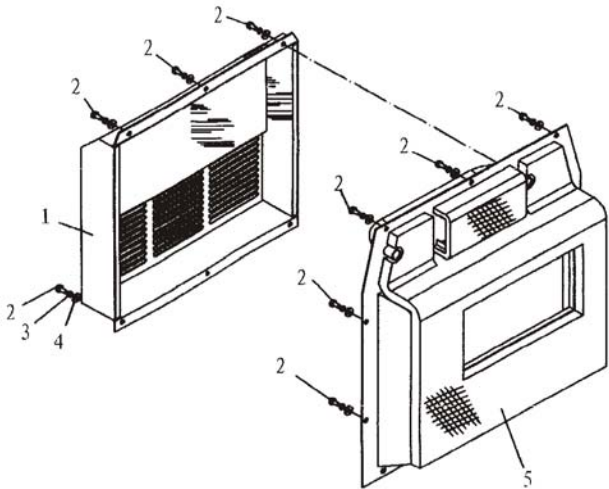
POS	QTY	PARTNUMBER	BESKRIVELSE	DESCRIPTION
1	1	TD900E	MOTOR TD900E	TD900E DIESEL
2	2	90102309	PLANSKIVE M6	WASHER M6
3	1	404659	LUFTSKJOLD	FRONT AIR GUIDE PLATE
4	2	90102911	STÅLBOLT M8X20	BOLT M8X20 8.8
5	2	90102195	LÅSESKIVE A6	LOCKWASHER A6
6	2	90102310	PLANSKIVE M8	WASHER M8
7	2	90102911	STÅLBOLT M8X20	BOLT M8X20 8.8
8	1	404660	STØTTEBESLAG	SUPPORT ASSEMBLY
9	2	90102885	STÅLBOLT M6X30 FZB 8.8	BOLT M6X30 8.8
10	2	90102885	STÅLBOLT M6X30 FZB 8.8	BOLT M6X30 8.8
11	1	404661	HOLDER FOR BRÆNDSTOFRØR	FUEL PIPE SUPPORT
12	1	404662	LUFTSKJOL	REAR AIR GUIDE PLATE
13	2	90102195	LÅSESKIVE A6	LOCKWASHER A6



POS	QTY	PARTNUMBER	BESKRIVELSE	DESCRIPTION
1	1	600007	GENERATOR KOMPLET	GENERATOR ASSY
15	1	D104	KUL FOR GENERATOR	CARBON BRUSH
16	2	90102716	SÆTSKRUE M5X12 FZB 8.8	SCREW M5X12
17	1	AVR	SE AVR OVERSIGT	SEE AVR LIST
18	3	90102713	SÆTSKRUE M5X16 FZB 8.8	SCREW M5X16
19	1	291349	ENSRETTER	RECTIFIER
20	1	404663	DÆKSEL	REAR COVER

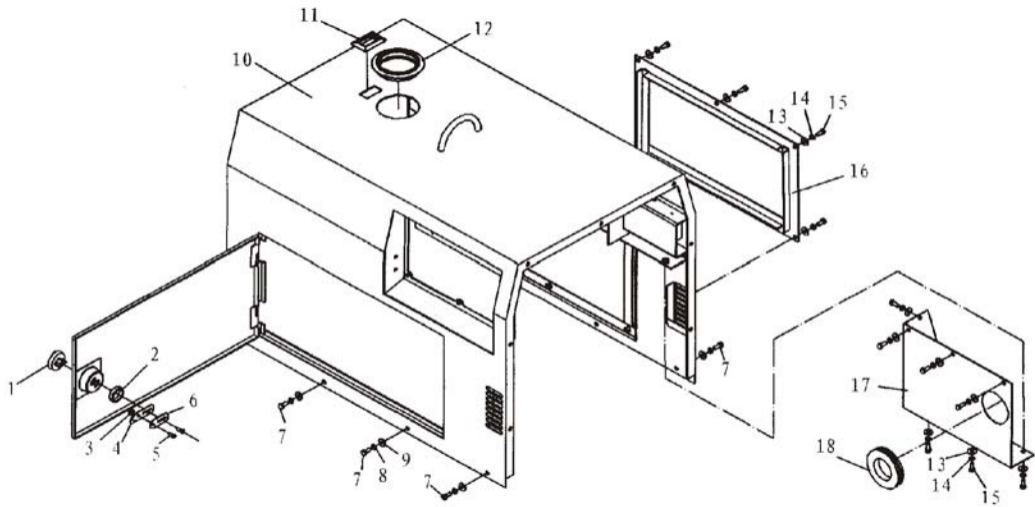


POS	QTY	PARTNUMBER	BESKRIVELSE	DESCRIPTION
1	2	90100601	VINGEMØTRIK M6 FZB	WING NUT M6
2	1	404664	BESLAG FOR BATTERI	BRACKET FOR BATTERY
3	2	404665	GEVINDJERN 6MM	CLAMPING ROD 6MM
4	1	404666	MELLEMLADE	BATTERY BASEPLATE
5	13	90102729	SÆTSKRUE M6X20 FZB 8.8	SCREW M6X20
6	1	404667	BUNDPLADE FOR BATTERI	SUPPORTING PLATE
7	2	404668	DÆMPER	CUSHION
8	10	90102716	SÆTSKRUE M5X12 FZB 8.8	SCREW M5X12
9	10	90102192	LÅSESKIVE A5 FZB	LOCK WASHER
10	1	404669	COVER	COVER PLATE OF VENTILATION PORT
11	4	404670	SPLIT	SPLINT PIN
12	4	404671	HJUL	WHEEL
13	17	GB/T971-1985	BRUG 290494	
14	17	90102198	LÅSESKIVE A8 FZB	LOCK WASHER
15	5	90100692	LÅSEMØTRIK M8 FZB 8.8	LOCK NUT M8
16	1	404672	BUND RAMME TDE6000T3	CHASSIS WELDMENT TDE6000T3
17	14	90102311	PLANSKIVE M10.5x22,0x1,25	WASHER
18	14	90102199	LÅSESKIVE A10	TOOTH LOCK
19	14	90100693	LÅSEMØTRIK M 10 FZB 8.8	NUT M10
20	4	404673	GUMMIOPHÆNG	DAMPING CUSHION UNIT
21	1	404674	BUNDRAMME FOR GENERATOR	BASE SEAT OF THE GENERATOR FRAME
22	6	90102775	SÆTSKRUE M10X40 FZB 8.8	SCREW 10X40CAN
23	1	404675	STØTTEBESLAG	SUPORTING WELDMENT OF THE BOX
24	1	404676	VARMETUNNEL	LOWER WELDMENT OF THE HOT BOX
25	1	404677	LÅG FOR VARMETUNNEL	COVER PLATE SPONGE OF HOT BOX
26	8	90102195	LÅSESKIVE A6	LOCK WASHER
27	8	90102195	LÅSESKIVE A6	LOCK WASHER
28	8	90102729	SÆTSKRUE M6X20 FZB 8.8	SCREW M6X20

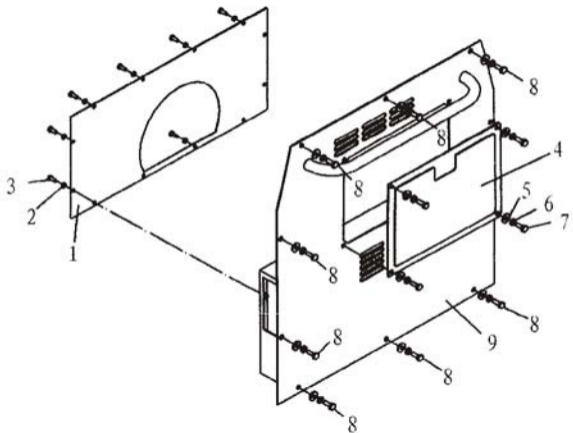


POS	QTY	PARTNUMBER	BESKRIVELSE	DESCRIPTION
1	1	404678	KØLESKJOLD	RADIATING PLATE
2	16	90102726	SÆTSKRUE M6X16 FZB 8.8	SCREW M6X16
3	16	90102195	LÅSESKIVE A6	LOCK WASHER
4	16	90102195	LÅSESKIVE A6	LOCK WASHER
5	1	404679	ENDE PLADE VENSTRE	LEFT GUARD PLATE

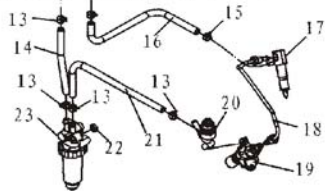
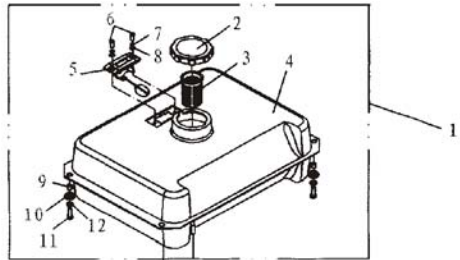
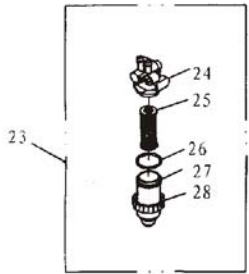




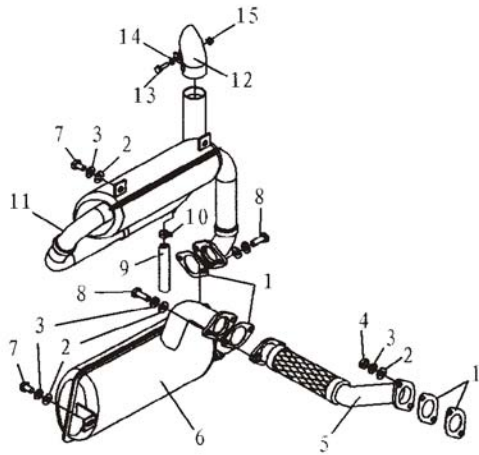
POS	QTY	PARTNUMBER	BESKRIVELSE	DESCRIPTION
1	1	404680	HÅNDTAG	DOORLOCK KNOB
2	1	404681	SKIVE	SEPARATOR
3	1	90100690	LÅSEMØTRIK M 5 FZB 8.8	NUT
4	1	404682	LÅS	DOORLOCK
5	2	90102716	SÆTSKRUE M5X12 FZB 8.8	SCREW M5X12
6	1	404683	BESLAG FOR LÅS	STIFFENER OF DOORLOCK
7	8	90102726	SÆTSKRUE M6X16 FZB 8.8	SCREW M6X16
8	8	90102195	LÅSESKIVE A6	LOCK WASHER
9	8	90102310	PLANSKIVE M8	WASHER
10	1	404684	HUS FOR GENERATOR	HOUSING WELDMENT
11	1	404685	INDICATOR GLAS	FASTERNING FRAME OF THE INDICATOR WINDOW
12	1	404686	GUMMIRING	DAMPING CUSHION OF THE FUEL FILLER
13	13	90102310	PLANSKIVE M8	WASHER
14	13	90102195	LÅSESKIVE A6	LOCK WASHER
15	13	90102726	SÆTSKRUE M6X16 FZB 8.8	SCREW M6X16
16	1	404687	BAGERSTE DÆKSEL	REAR DOOR
17	1	404688	BESLAG FOR LUFTFILTER	AIR CLEANER SEALING PLATE
18	1	404689	DÆMPER	DAMPING CUSHION OF THE AIR CLEANER



POS	QTY	PARTNUMBER	BESKRIVELSE	DESCRIPTION
1	1	404690	PLADE	WIND BOX COVER PLATE
2	10	90102192	LÅSESKIVE A5 FZB	LOCK WASHER
3	10	90102716	SÆTSKRUE M5X12 FZB 8.8	SCREW M5X12
4	1	404691	PLADE FOR ENDESKJOLD	AIR CLEANER COVER PLATE
5	4	90102310	PLANSKIVE M8	WASHER
6	4	90102195	LÅSESKIVE A6	LOCK WASHER
7	4	90102726	SÆTSKRUE M6X16 FZB 8.8	SCREW M6X16
8	10	90102726	SÆTSKRUE M6X16 FZB 8.8	SCREW M6X16
9	1	404692	HØJRE ENDE PLADE	RIGHT GUARD PLATE WELEMENT

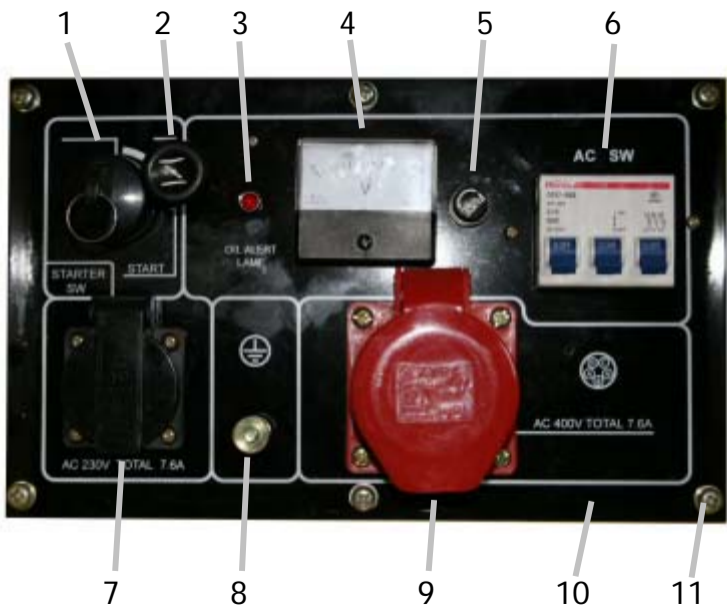


POS	QTY	PARTNUMBER	BESKRIVELSE	DESCRIPTION
2	1	402136	TANKLÅG TDE6000T3	FUELCAP TDE6000T3
3	1	404694	SI	FILLER STRAINER
4	1	404695	BRÆNDSTOFTANK	FUEL TANK WELDMENT
5	1	404696	TANKMÅLER	FUEL INDICATOR
6	2	90102716	SÆTSKRUE M5X12 FZB 8.8	SCREW M5X12
7	2	90102192	LÅSESKIVE A5 FZB	LOCK WASHER A5
8	2	90102308	PLANSKIVE M5 FZB	WASHER
9	4	404697	BØS	BUSH
10	4	404698	GUMMI SKIVE	DAMPING SLEEVE
11	4	90102724	SÆTSKRUE M6X30 FZB 8.8	SCREW M6X30
12	4	90102195	LÅSESKIVE A6 FZB	LOCK WASHER
13	4	404699	KLEMME	CLAMP I
14	1	404700	GUMMISLANGE	FUEL PIPE I (FROM TANK TO FILTER)
15	2	404701	KLEMME	CLAMP II
16	1	404702	RETUR SLANGE	RETURN PIPE
17	1	290985	INDSPRØJTNINGS DYSE	FUEL INJECTION NOZZLE
18	1	404703	DYSERØR	HIGH PRESSURE FUEL PIPE
19	1	KM186F-12000	BRUG 290979	INJECTION PUMP
20	1	KM178FAGI-11200	MAGNET VENTIL	
21	1	404700	GUMMISLANGE	FUEL PIPE I (FROM TANK TO FILTER)
22	1	90100692	LÅSEMØTRIK M8 FZB 8.8	LOCK NUT M8
23	1	404704	DIESEL FILTER	DIESEL FILTER
24	1	404705	SÆDE FOR FILTER	DIESEL FILTER SEAT
25	1	KR180N-10310	BRÆNDSTOFFILTER	FILTER
26	1	KR180N-10304	RING	
27	1	404706	CUP	STRAINER CUP
28	1	600103	OMLØBER	CLAMPING CUP

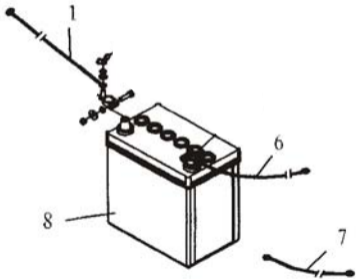


POS	QTY	PARTNUMBER	BESKRIVELSE	DESCRIPTION
1	4	290832	PAKNING, Udstødningssiden	GASKET, EXHAUST SIDE
2	9	90102310	PLANSKIVE M8	WASHER
3	9	90102198	LÅSESKIVE A8 FZB	LOCK WASHER
4	2	90100692	LÅSEMØTRIK M8 FZB 8.8	LOCK NUT M8
5	1	404707	UDSTØDNINGSRØR FLEX	EXHAUST PIPE
6	1	404708	LYDDDÆMPER FORREST	FIRST STAGE MUFFLER
7	3	90102741	SÆTSKRUE M8X16 FZB 8.8	SCREW M8X16, KAWA
8	4	90102746	SÆTSKRUE M8X30 FZB 8.8	SCREW M8X30 KAWA
9	1	404709	GUMMISLANGE (AFLØB)	FLEXIBLE PARTICULATE OUTLET PIPE
10	1	404699	KLEMME	CLAMP I
11	1	404710	LYDDDÆMPER AFGANG	MUFFLER FRONT
12	1	404711	AFGANGS RØR	EXHAUST DEFLECTOR
13	1	90102724	SÆTSKRUE M6X30 FZB 8.8	SCREW M6X30
14	1	90102195	LÅSESKIVE A6	LOCK WASHER
15	1	90100691	LÅSEMØTRIK M 6 FZB 8.8	LOCK NUT M6





POS	QTY	PARTNUMBER	BESKRIVELSE	DESCRIPTION
1	1	600104	TÆNDINGSLÅS	IGNITION TDE6000T3
2	1	404712	CHOKER	CHOKE
3	1	404713	OLIETRYKS INDICATOR LAMPE	OIL PRESSURE INDICATING LIGHT
4	1	404714	AC VOLTMETER	AC VOLTMETER
5	1	404715	SIKRING	FUSE UNIT
6	1	404716	HFI	HFI
7	1	290168	UDTAG 230V DANMARK	SOCKET 230V DENMARK
7	1	800047	UDTAG 230V EUROPA	SOCKET 230V EUROPA
8	1	404717	SKRUE FOR JORD	SCREW FOR EARTH CONNECTION
9	2	404718	UDTAG 380V	SOCKET 380V
10		404719	BAGPLADE	REAR PLATE
11	6	90101160	MASKINSKRUE 6X16	SCREW 6X16
10	1	404720	CONTROL PANEL	PANEL



POS	QTY	PARTNUMBER	BESKRIVELSE	DESCRIPTION
1	1	404721	PLUS KABEL FOR BATT.	POSITIVE WIRING OF THE BATTERY (RED)
6	1	404722	STELKABEL FOR BATT. (SORT)	EARTH WIRE OF THE BATTERY(BLACK)
7	1	404723	STELKABEL GENERATOR. (SORT)	EARTH WIRE OF THE ALTERNATOR
8	1	404724	BATTERY 12V/36AH	12V/36AH BATTERY