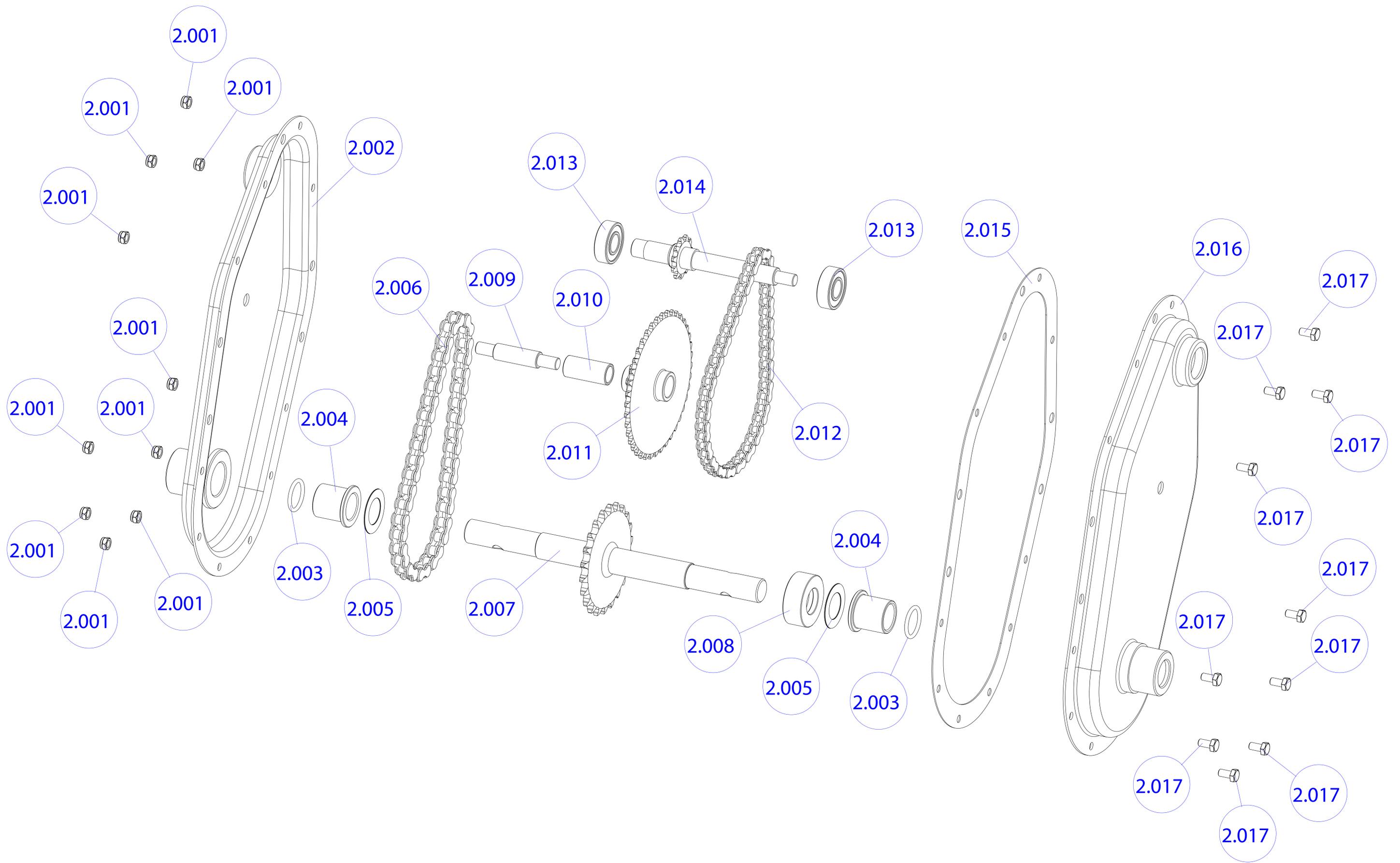
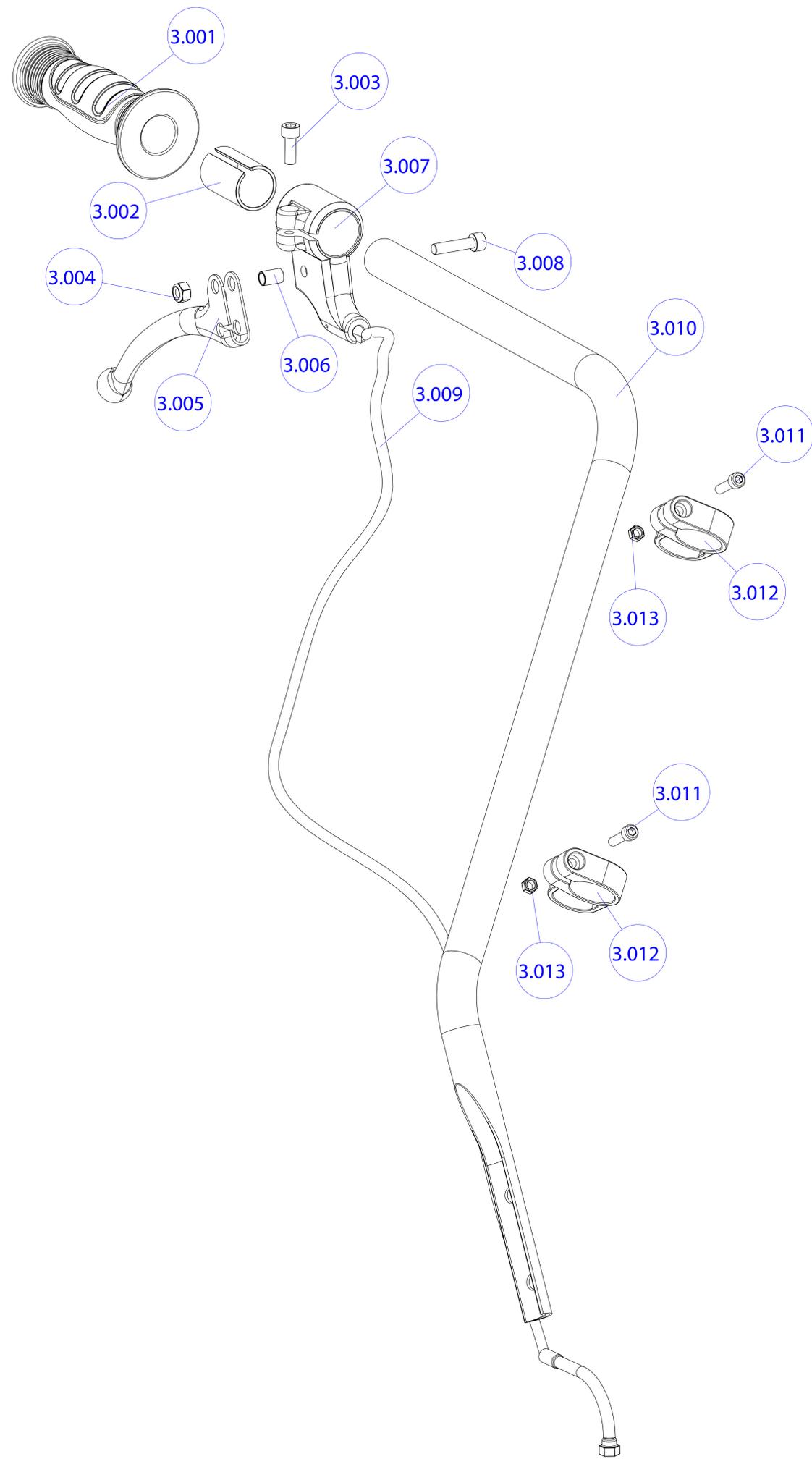


| POS | QTY | PARTNUMBER | BESKRIVELSE              | DESCRIPTION         |
|-----|-----|------------|--------------------------|---------------------|
| 1   | 1   | 421061     | EL-MOTOR 2000W/2800RPM   | ENGINE              |
| 9   | 1   | 421062     | STANG Q235-A             | SAFETY BAR          |
| 10  | 4   | 421063     | BOLT M8x40               | BOLT                |
| 11  | 8   | 421064     | BØLGESKIVE 20            | ARCH STYL WASHER    |
| 12  | 13  | 421065     | MØTRIK M8                | NUT                 |
| 13  | 1   | 421066     | KABELHOLDER              | CABLE COLLECTOR     |
| 14  | 23  | 421067     | MØTRIK M8                | NUT                 |
| 15  | 25  | 421068     | FJEDERSKIVE M8           | SPRING WASHER       |
| 16  | 45  | 421069     | SKIVE M8                 | FLAT WASHER         |
| 17  | 4   | 421082     | BOLT M8x30               | BOLT                |
| 18  | 11  | 421083     | BOLT M8x20               | BOLT                |
| 19  | 1   | 421084     | BESLAG Q235-A            | HANDLE ASSY BASE    |
| 20  | 1   | 421085     | PAKNING 25x16.1x1        | ADJUST GASKET       |
| 21  | 1   | 421086     | NOT 5x25                 | FLAT KEY            |
| 22  | 4   | 421087     | BOLT M8x35               | BOLT                |
| 23  | 1   | 421088     | STRAMMERULLE HT20-40     | SMALL WHEEL         |
| 24  | 1   | 421089     | KILEREM Z805             | V BELT              |
| 25  | 1   | 421090     | SKIVE 24x6.3x2           | WASHER              |
| 26  | 1   | 421091     | FJEDERSKIVE M6           | SPRING WASHER       |
| 27  | 1   | 421092     | MØTRIK M6x25             | NUT                 |
| 28  | 9   | 421093     | SKIVE 24x8.5x2           | WASHER              |
| 29  | 1   | 421094     | AFSTANDBØS 11.8x8.2x73.3 | LONG SHEATH         |
| 30  | 3   | 421095     | BOLT M8x16               | BOLT                |
| 31  | 1   | 421096     | BAGSKÆRM Q235-A          | BELT SIDE COVER     |
| 32  | 1   | 421097     | BØJLE Q235-A             | ROD                 |
| 33  | 1   | 421098     | AFSTANDBØS 45#           | FIXING ROD          |
| 34  | 1   | 421099     | SIDSKÆRM PP              | PLASTIC COVER       |
| 35  | 1   | 421100     | BOLT M8x18               | BOLT WITH BALL HEAD |
| 36  | 1   | 421157     | FJEDERSPLIT ?4x50        | COTTER PIN          |
| 37  | 1   | 421158     | SKIVE ?4                 | FLAT WASHER         |
| 38  | 1   | 421159     | JORDSPYD 65MN            | REAR RESISTANCE ROD |
| 39  | 4   | 421160     | FEJDEERSPLIT 65MN        | COTTER PIN          |
| 40  | 1   | 421161     | STIFT 10x41              | PIN                 |
| 41  | 4   | 421162     | BASE Q235-A              | MOTOR BASE          |
| 42  | 1   | 421163     | BOLT M8x90               | BOLT                |
| 43  | 1   | 421164     | NEDRE STYRRØR Q235-A     | U-TUBE              |
| 44  | 3   | 421165     | SKIVE 10                 | FLAT WASHER         |
| 45  | 2   | 421166     | FJEDERSKIVE 10           | SPRING WASHER       |
| 46  | 2   | 421167     | MØTRIK M10               | NUT                 |
| 47  | 2   | 421168     | STIFT 8x38               | PIN                 |
| 48  | 1   | 421169     | VANGE HØJRE Q235-A       | MAIN FRAME (RIGHT)  |
| 49  | 8   | 421170     | AFSTANDBØS 11.8x8.2x19.5 | SHORT SHEATH        |
| 50  | 1   | 421171     | KNIVSKÆRM HØJRE ABS      | BLADE COVER (RIGHT) |
| 51  | 1   | 421172     | KOFANGER Q235-A          | U-BUMPER            |
| 52  | 1   | 421173     | NOT 5x14                 | FLAT KEY            |
| 53  | 1   | 421174     | AKSEL 18x15.2x40         | AXLE SHEATH         |
| 54  | 1   | 421175     | REMSKIVE ZL106           | BIG BELT WHEEL      |
| 55  | 7   | 421176     | BOLT M8x25               | BOLT                |
| 56  | 1   | 421177     | MØTRIK M10               | NUT                 |
| 57  | 1   | 421178     | KNIVSKÆRM BESLAG Q235-A  | BLADE COVER SUPPORT |

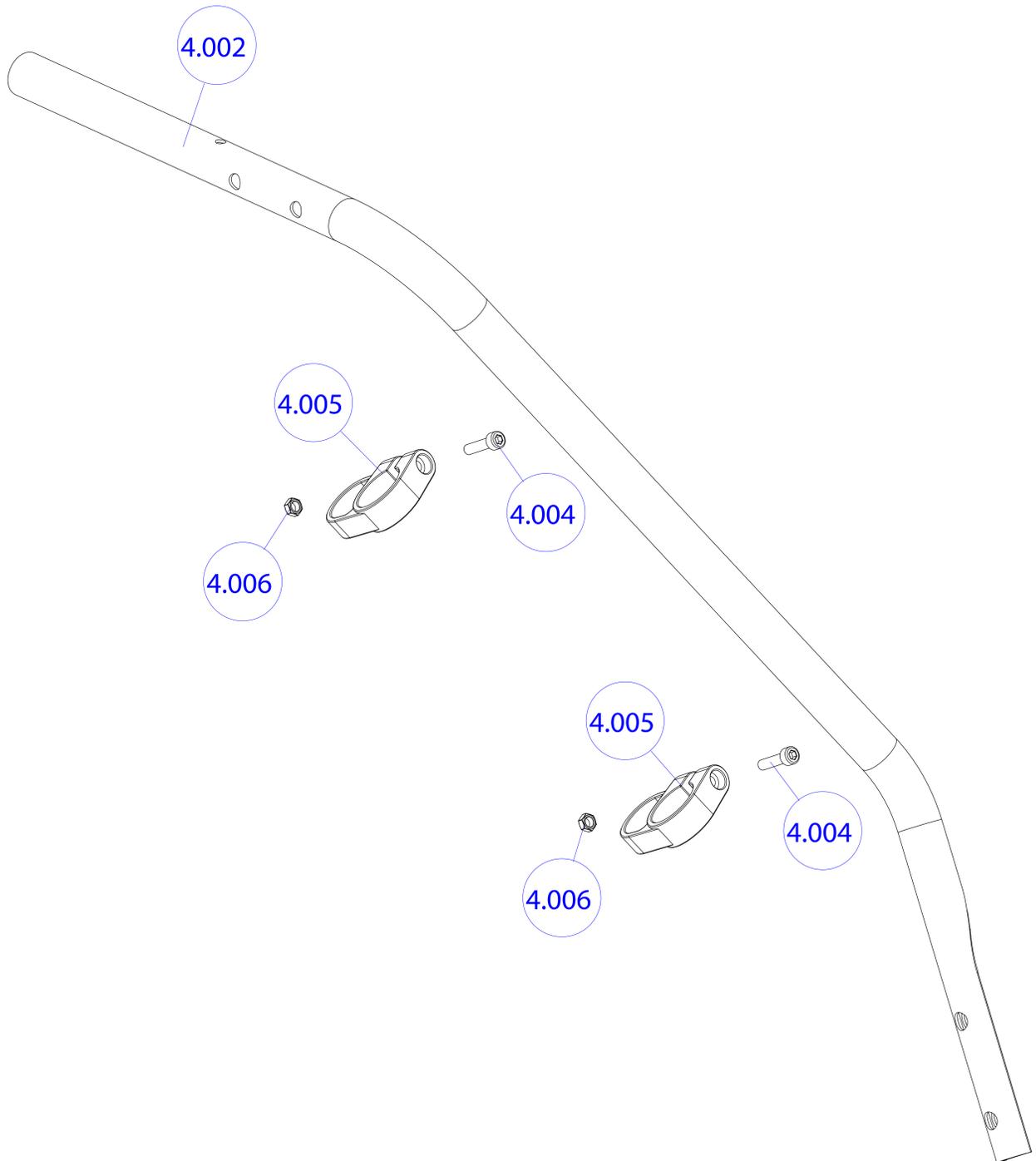
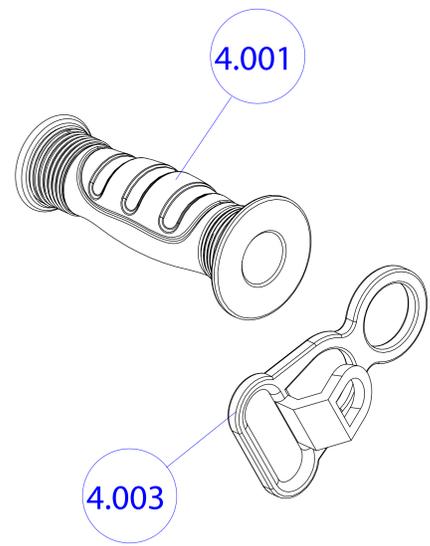
| POS | QTY | PARTNUMBER | BESKRIVELSE                      | DESCRIPTION                        |
|-----|-----|------------|----------------------------------|------------------------------------|
| 58  | 3   | 421179     | BØS 45#                          | RING                               |
| 59  | 1   | 421180     | VANGE VENSTRE Q235-A             | MAIN FRAME (LEFT)                  |
| 60  | 1   | 421181     | KNIVSKÆRM VENSTRE ABS            | BLADE COVER (LEFT)                 |
| 61  | 5   | 421182     | MØTRIK M8x60                     | NUT                                |
| 62  | 1   | 421183     | AFSTANDBØS 8x26                  | SHORT SHEATH                       |
| 63  | 1   | 421184     | LEDNING                          | EARTH LEAKAGE<br>PROTECTIVE DEVICE |
| 64  | 2   | 421185     | SKRUE ST4x25-F                   | SCREW                              |
| 65  | 2   | 421186     | FJEDER                           | SWITCH SPRING                      |
| 66  | 1   | 421187     | KNAP PP                          | SHIFT KNOB                         |
| 67  | 1   | 421188     | DÆKSEL PP                        | SWITCH TOP COVER                   |
| 68  | 1   | 421189     | DÆKSEL PP                        | SWITCH LOWER COVER                 |
| 69  | 1   | 421190     | FORBINDER PA6-GF30+?             | CONNECTOR                          |
| 70  | 1   | 421191     | KONTAKT ABS                      | SWITCH PRESS CAKE                  |
| 71  | 1   | 421192     | GREB PP                          | SWITCH BUNDLE                      |
| 72  | 1   | 421193     | KONTAKT 250V 12(10)A 5E4<br>TUV  | SWITCH                             |
| 73  | 4   | 421194     | SKRUE ST4x16-C                   | SCREW                              |
| 74  | 1   | 421195     | LEDNING H05VV-F/ 1.5MM2 /<br>VDE | BLUE WIRE                          |
| 75  | 1   | 421196     | LEDNING H05VV-F/ 1.5MM2 /<br>VDE | BROWN WIRE                         |
| 76  | 4   | 421197     | GUMMISKIVE                       | RUBBER WASHER                      |



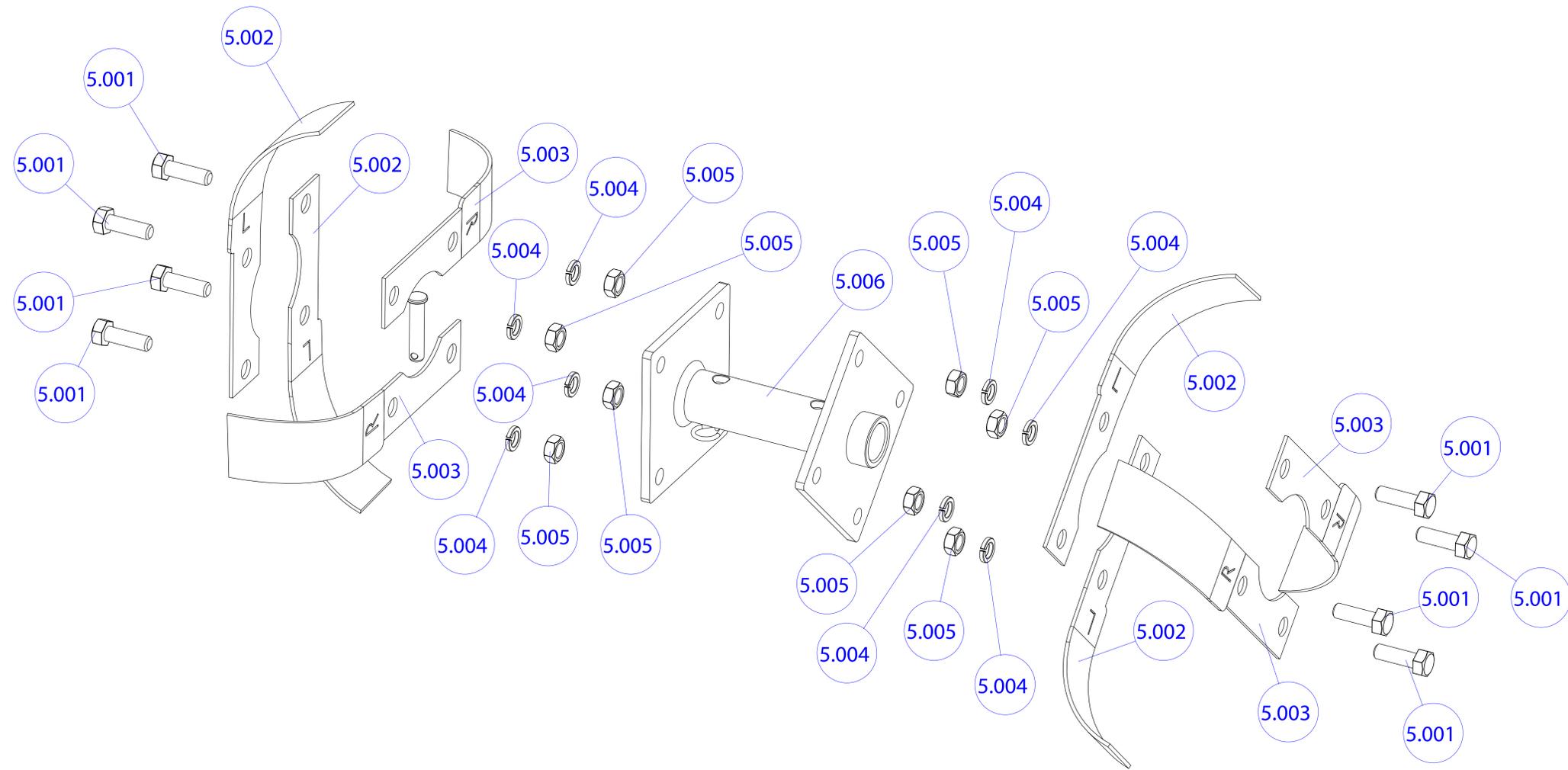
| POS   | QTY | PARTNUMBER | BESKRIVELSE              | DESCRIPTION                |
|-------|-----|------------|--------------------------|----------------------------|
| 2,001 | 10  | 421198     | MØTRIK M6                | HEX NUT                    |
| 2,002 | 1   | 421199     | GEARKASSE HØJRE Q235-A   | RIGHT HALF CHAIN BOX       |
| 2,003 | 2   | 421200     | PAKNING 21.2×3.55        | O- RUBBER GASKET           |
| 2,004 | 2   | 421201     | LEJE PA6-GF30            | NYLON BEARING              |
| 2,005 | 2   | 421202     | BØS 65MN                 | WASHER                     |
| 2,006 | 1   | 421203     | KÆDE 420-1-40            | ROLLER CHAIN               |
| 2,007 | 1   | 421204     | UDGANGSAKSEL 45          | OUTPUT CHAIN WHEEL         |
| 2,008 | 1   | 421205     | LEJE FZ1460              | BUSH OF OUTPUT CHAIN WHEEL |
| 2,009 | 1   | 421206     | AKSEL 40CR               | MIDDLE AXLE                |
| 2,010 | 1   | 421207     | LEJE FZ1460              | OIL BEARING                |
| 2,011 | 1   | 421208     | TANDHJUL 45              | MIDDLE CHAIN WHEEL         |
| 2,012 | 1   | 421209     | KÆDE 35-1-50             | CHAIN                      |
| 2,013 | 2   | 421210     | LEJE 35×15×11            | BEARING                    |
| 2,014 | 1   | 421211     | INDGANGSAKSEL 45         | INPUT CHAIN WHEEL          |
| 2,015 | 1   | 421212     | PAKNING                  | SEALING GASKET             |
| 2,016 | 1   | 421213     | GEARKASSE VENSTRE Q235-A | LEFT HALF CHAIN BOX        |
| 2,017 | 10  | 421214     | BOLT M6×12               | BOLT WITH HEX HEAD         |



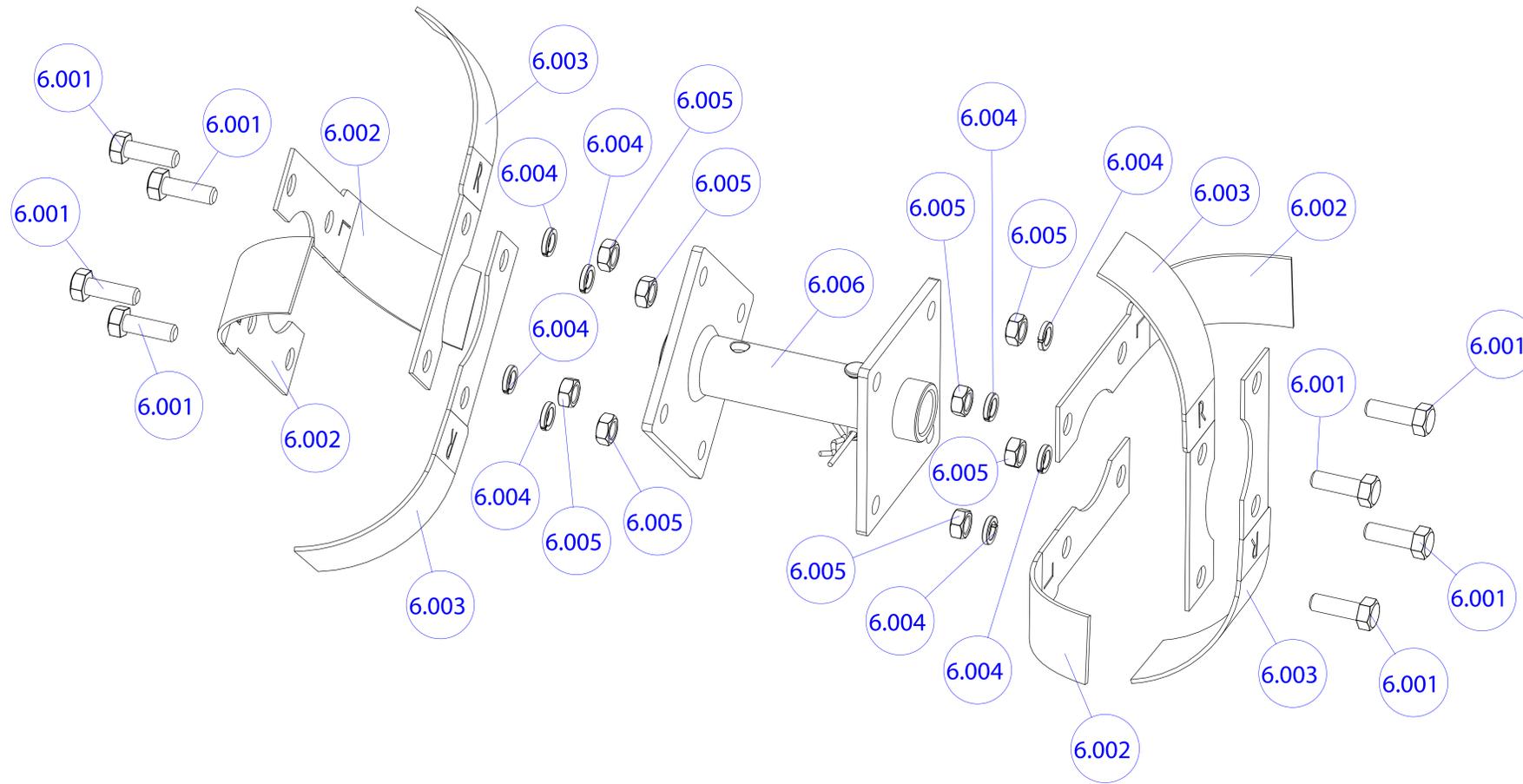
| POS   | QTY | PARTNUMBER | BESKRIVELSE            | DESCRIPTION           |
|-------|-----|------------|------------------------|-----------------------|
| 3,001 | 1   | 421215     | GUMMIHÅNDTAG           | RUBBER HANDLE         |
| 3,002 | 1   | 421216     | BØS PP                 | PLASTIC PIPE          |
| 3,003 | 1   | 421217     | BOLT M6x16             | BOLT                  |
| 3,004 | 1   | 421198     | MØTRIK M6              | HEX NUT               |
| 3,005 | 1   | 421218     | KOBLINGSGREB           | CLUTCH CONTROL HANDLE |
| 3,006 | 1   | 421219     | STIFT 7.9x6.6x12       | SHORT SHEATH          |
| 3,007 | 1   | 421220     | BASE ZL104             | HANDLE BASE           |
| 3,008 | 1   | 421221     | BOLT M6x25             | BOLT                  |
| 3,009 | 1   | 421222     | KABEL                  | CLUTCH CABLE          |
| 3,010 | 1   | 421223     | STYRRØR VENSTRE Q235-A | LEFT HANDLE SUPPORT   |
| 3,011 | 2   | 421224     | BOLT M5x25             | BOLT                  |
| 3,012 | 2   | 421225     | KABELHOLDER PA6-GF30   | CABLE COLLECTOR       |
| 3,013 | 2   | 421226     | MØTRIK M5              | NUT                   |



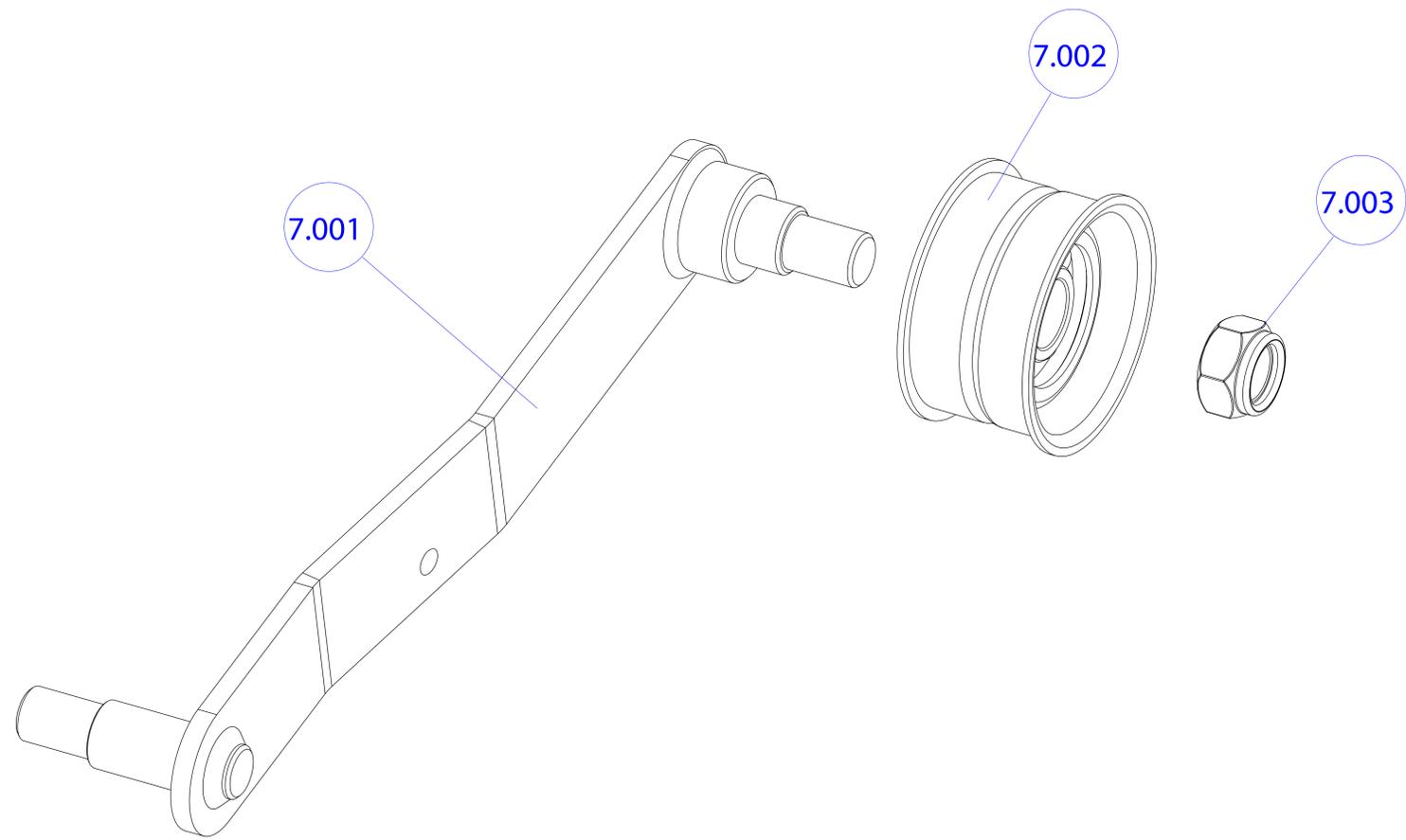
| POS   | QTY | PARTNUMBER | BESKRIVELSE          | DESCRIPTION          |
|-------|-----|------------|----------------------|----------------------|
| 4,001 | 1   | 421215     | GUMMIHÅNDTAG         | RUBBER HANDLE        |
| 4,002 | 1   | 421227     | STYRRØR HØJRE Q235-A | RIGHT HANDLE SUPPORT |
| 4,003 | 1   | 421228     | KABELHOLDER PP       | WIRE CLIP            |
| 4,004 | 2   | 421224     | BOLT M5x25           | BOLT                 |
| 4,005 | 2   | 421225     | KABELHOLDER PA6-GF30 | CABLE COLLECTOR      |
| 4,006 | 2   | 421226     | MØTRIK M5            | NUT                  |



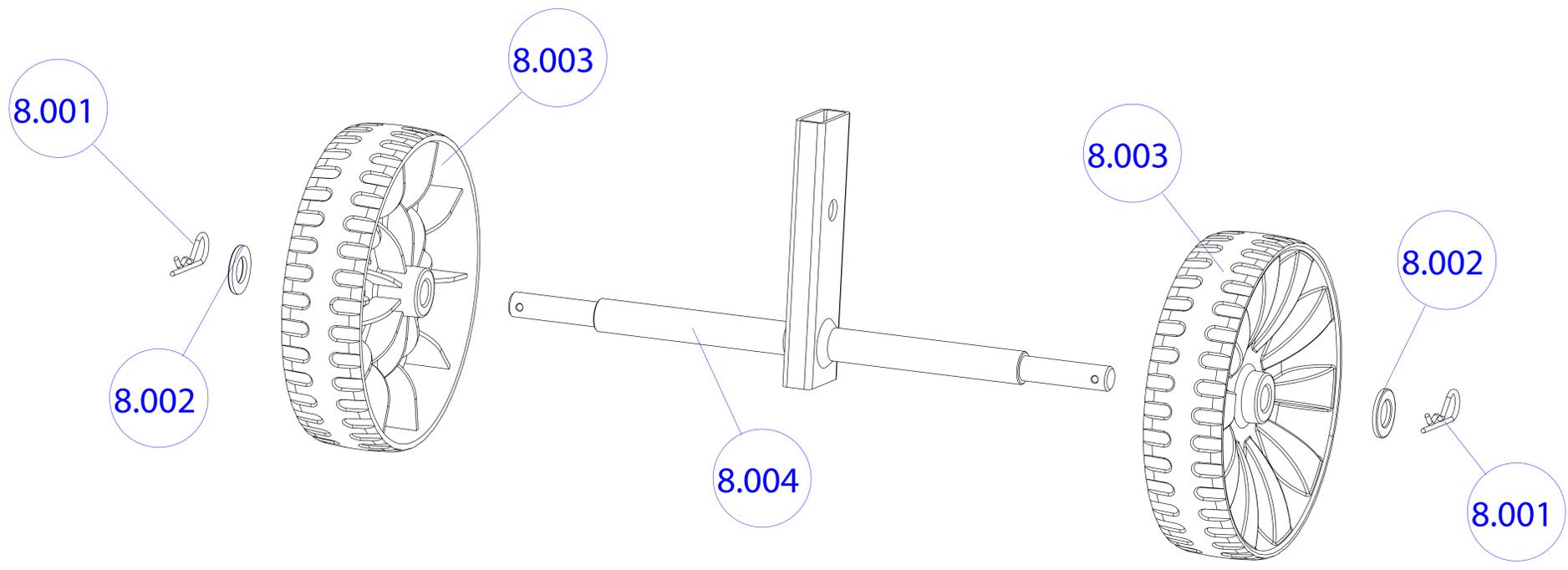
| POS   | QTY | PARTNUMBER | BESKRIVELSE           | DESCRIPTION   |
|-------|-----|------------|-----------------------|---------------|
| 5,001 | 8   | 421176     | BOLT M8x25            | BOLT          |
| 5,002 | 4   | 421229     | KNIVBLAD VENSTRE 65MN | BLADE L       |
| 5,003 | 4   | 421230     | KNIVBLAD HØJRE 65MN   | BLADE R       |
| 5,004 | 8   | 421068     | FJEDERSKIVE M8        | SPRING WASHER |
| 5,005 | 8   | 421067     | MØTRIK M8             | NUT           |
| 5,006 | 1   | 421231     | KNIVRØR Q235-A        | BLADE SUPPORT |



| POS   | QTY | PARTNUMBER | BESKRIVELSE           | DESCRIPTION   |
|-------|-----|------------|-----------------------|---------------|
| 6,001 | 8   | 421176     | BOLT M8x25            | BOLT          |
| 6,002 | 4   | 421229     | KNIVBLAD VENSTRE 65MN | BLADE L       |
| 6,003 | 4   | 421230     | KNIVBLAD HØJRE 65MN   | BLADE R       |
| 6,004 | 8   | 421068     | FJEDERSKIVE M8        | SPRING WASHER |
| 6,005 | 8   | 421067     | MØTRIK M8             | NUT           |
| 6,006 | 1   | 421231     | KNIVRØR Q235-A        | BLADE SUPPORT |



| POS   | QTY | PARTNUMBER | BESKRIVELSE  | DESCRIPTION  |
|-------|-----|------------|--------------|--------------|
| 7,001 | 1   | 421232     | ARM Q235-A   | CRANK        |
| 7,002 | 1   | 421233     | STRAMMERULLE | CLUTCH WHEEL |
| 7,003 | 1   | 421065     | MØTRIK M8    | NUT          |



| POS   | QTY | PARTNUMBER | BESKRIVELSE      | DESCRIPTION   |
|-------|-----|------------|------------------|---------------|
| 8,001 | 2   | 421160     | FEJDESPILT 65MN  | COTTER PIN    |
| 8,002 | 2   | 421234     | SKIVE 12         | FLAT WASHER   |
| 8,003 | 2   | 421235     | HJUL 12          | PLASTIC WHEEL |
| 8,004 | 1   | 421236     | HJULAKSEL Q235-A | WHEEL AXLE    |