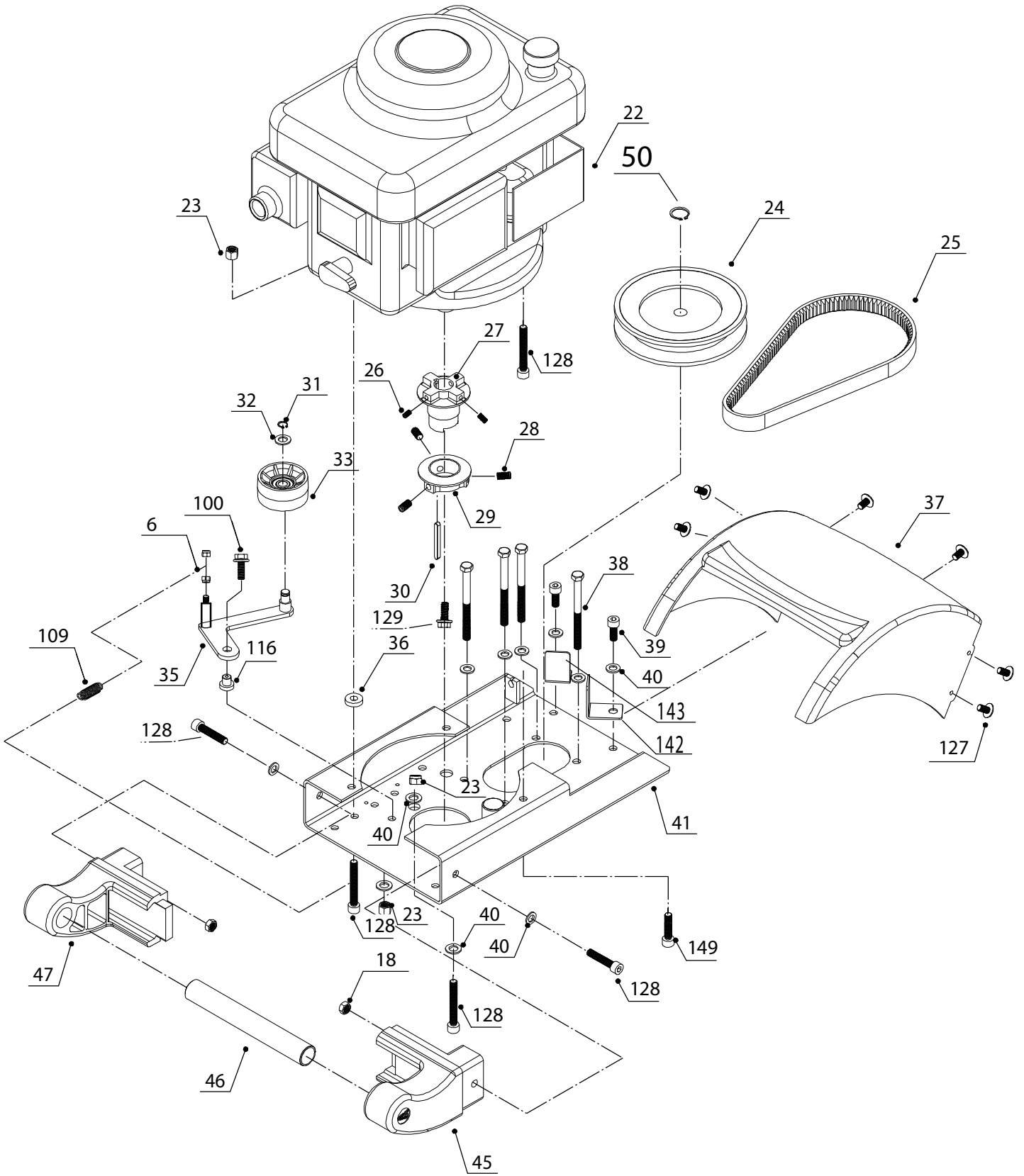
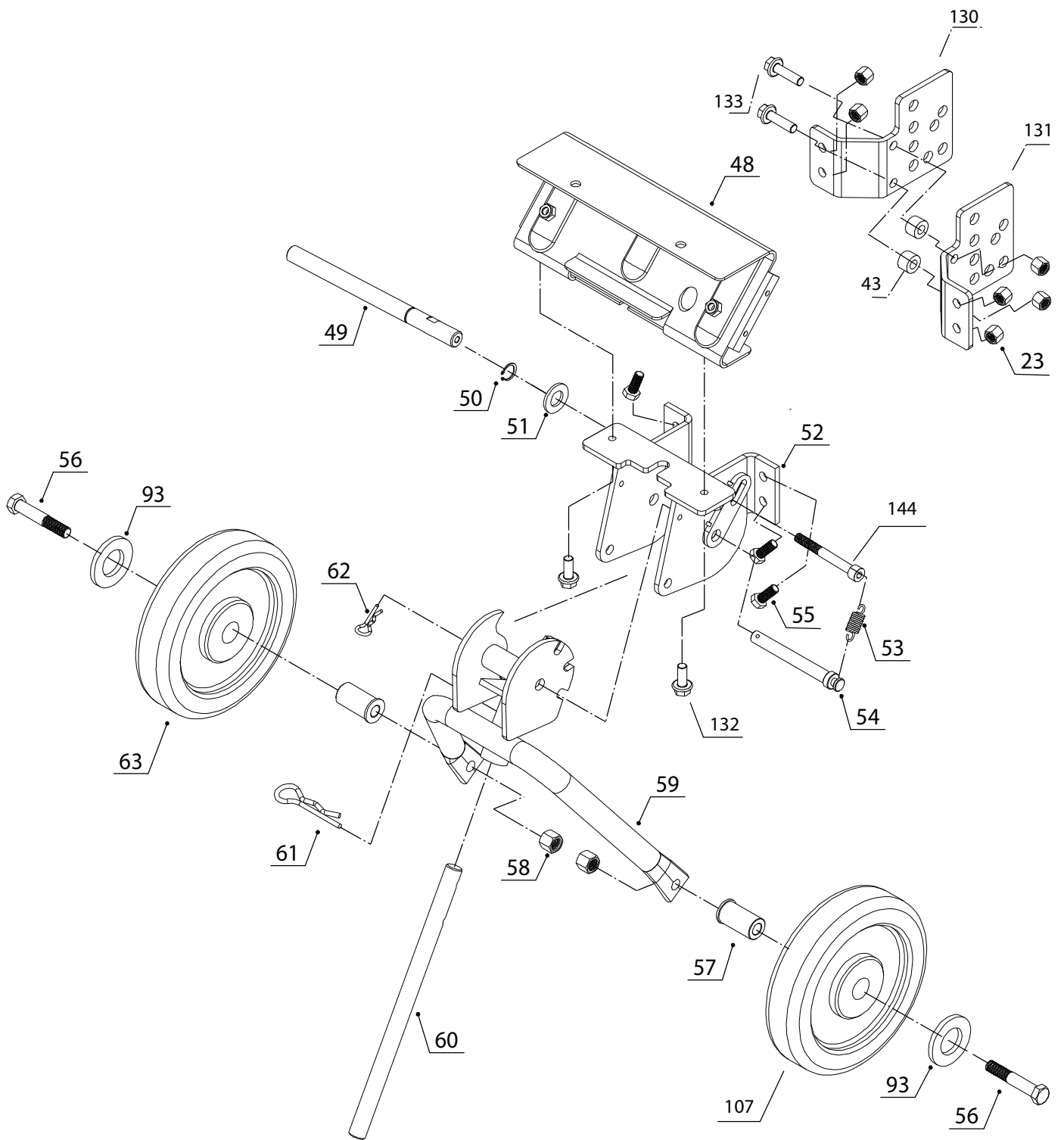


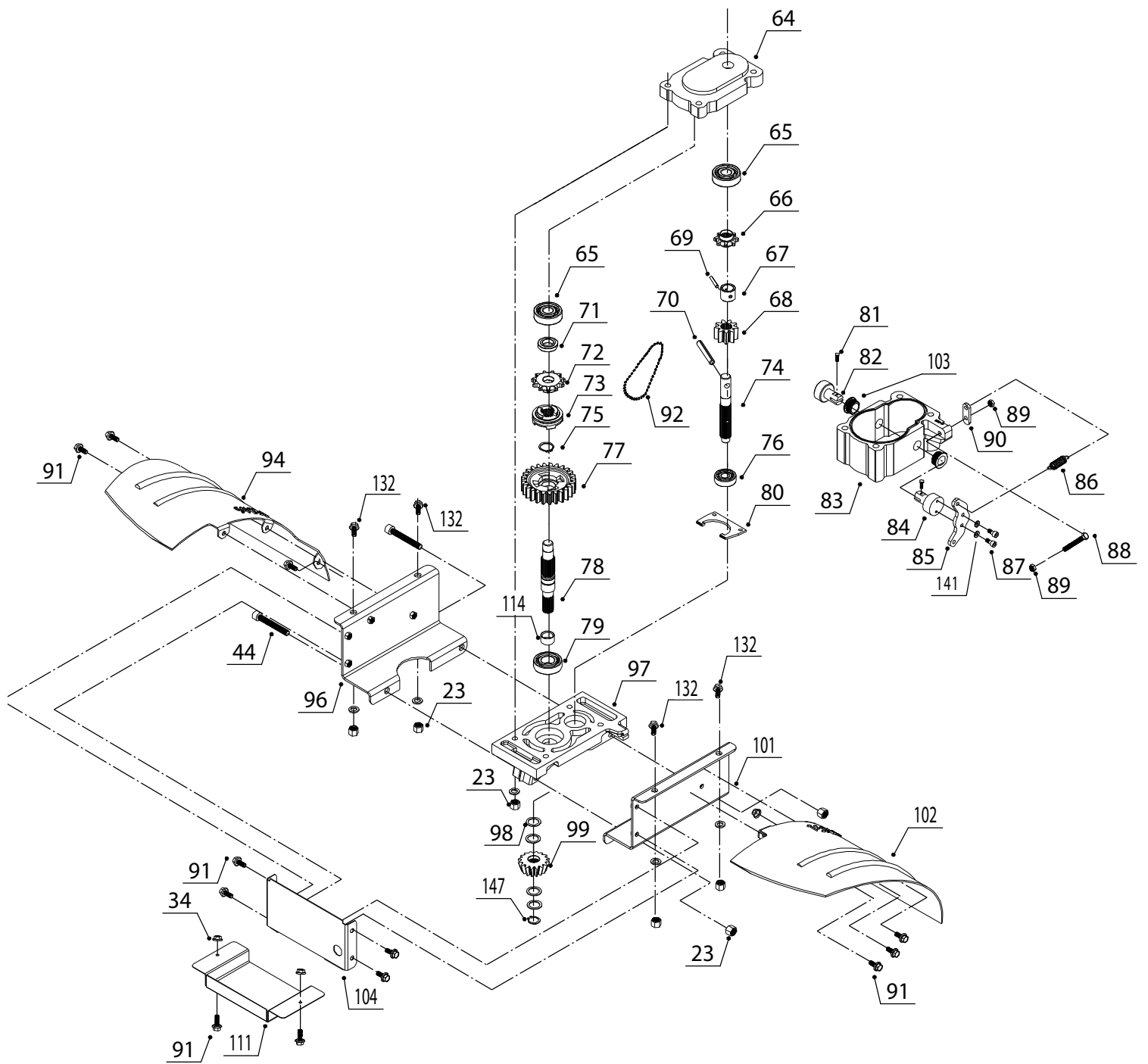
| POS | QTY | PARTNUMBER | BESKRIVELSE | DESCRIPTION |
|-----|-----|------------|---|----------------------|
| 1 | 2 | 414303 | SKUMGREB | HANDLE |
| 2 | 2 | 419112 | STÅLBOLT M6X35 | STEEL BOLT M6X35 |
| 3 | 1 | 419113 | KOBLINGSGREB KOMPLET | CLUTCH HANDLE |
| 4 | 1 | 414305 | OVERSTYR | HANDELBAR UPPER |
| 5 | 4 | 419114 | HÆTTE FOR MØTIK | HOOD |
| 6 | 4 | 90100690 | LÅSEMØTRIK 8.8 M5 FZ | LOCKING NUT M5 FZ |
| 7 | 1 | 419115 | GASKABEL KOMPLET | THROTTLE CABLE |
| 8 | 2 | 419116 | BRÆDDEBOLT 8.8 M6X60 | CARRIAGE BOLT M6X60 |
| 9 | 1 | 414308 | KABEL | CABLE |
| 10 | 1 | 414309 | KABEL | CABLE |
| 11 | 1 | 414310 | GASKABEL | THROTTLE CABLE |
| 12 | 2 | 90102927 | STÅLBOLT 8.8 M8X100 FZ | STEEL BOLT M8X100 FZ |
| 13 | 2 | 414311 | HÅNDHJUL | KNOB |
| 14 | 4 | 414312 | BØS | BUSHING |
| 15 | 2 | 414313 | PROP | PLUG |
| 16 | 2 | 414314 | UNDERSTYR | HANDELBAR LOWER |
| 17 | 4 | 414315 | HOLDER FOR STYR | HOLDER |
| 18 | 2 | 90100662 | STÅLMØTRIK 8.8 M8 FZ | STEEL NUT M8 FZ |
| 19 | 4 | 90100168 | INSEX MED CYLINDERHOVED M6X40 FZ | INSEX M6X40 FZ |
| 20 | 2 | 90102310 | PLANSKIVE M8 FZ | FACE PLATE M8 FZ |
| 21 | 1 | 414316 | COVER | BACK PLASTIC COVER |
| 127 | 2 | 90100157 | INSEX MED CYLINDERHOVED M5X20 8.8 FZ | INSEX M5X20 8.8 FZ |
| 146 | 2 | 419117 | KABELHOLDER | CABLE HOLDER |



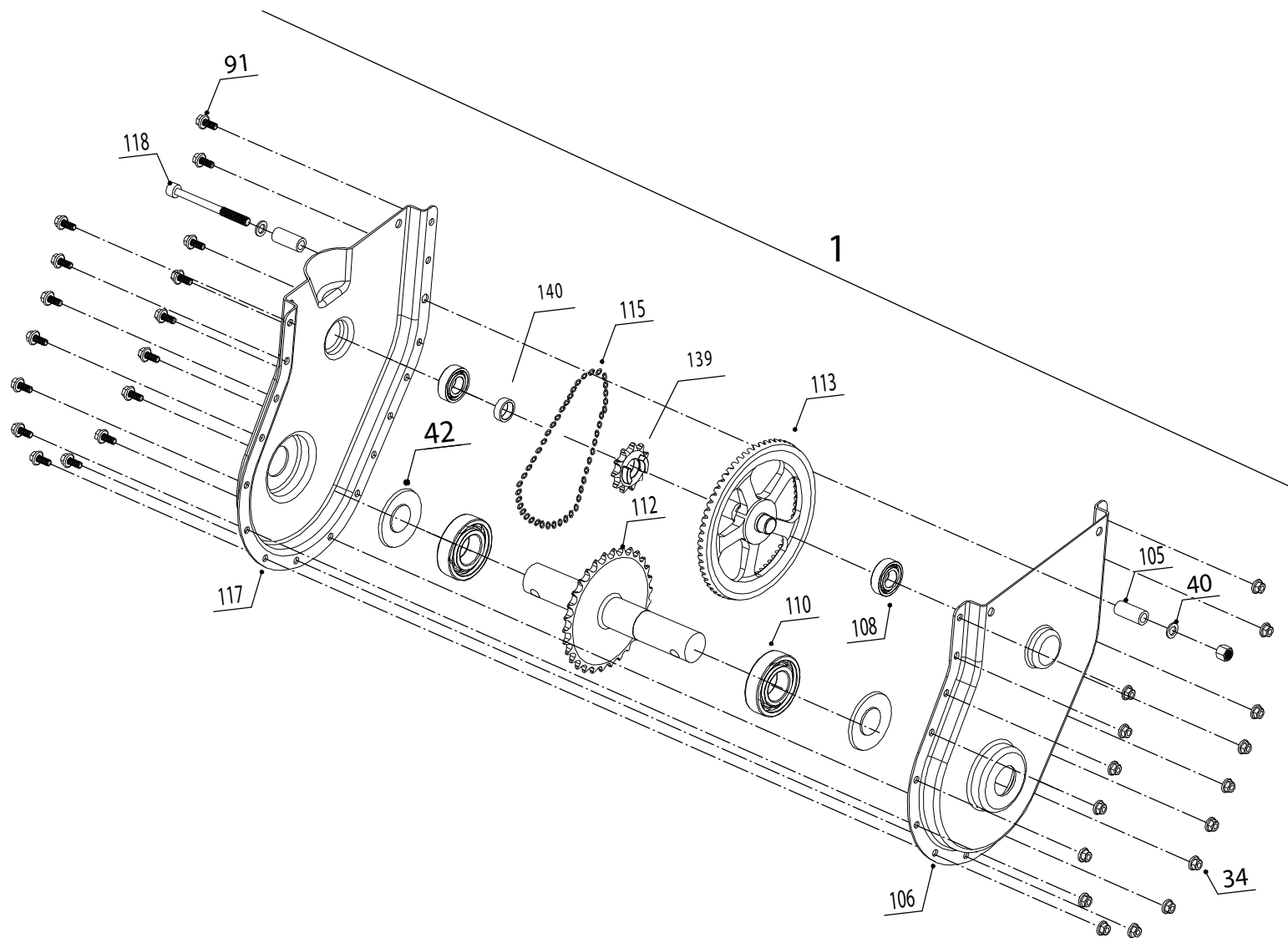
| POS | QTY | PARTNUMBER | BESKRIVELSE | DESCRIPTION |
|-----|-----|------------|-----------------------------------|------------------------|
| 18 | 2 | 90100662 | STÅLMØTRIK 8.8 M8 FZ | STEEL NUT M8 FZ |
| 22 | 1 | 680650 | B&S 650 SERIES | B&S 650 SERIES |
| 23 | 5 | 90100692 | LÅSEMØTRIK 8.8 M8 FZ | LOCKING NUT M8 FZ |
| 24 | 1 | 414318 | REMSKIVE | BELT PULLEY |
| 25 | 1 | 90308637 | TANDREM 22X8X650LI | BELT 22X8X650LI |
| 26 | 4 | 296061 | PLADESKRUE MED SPIDS M6.3X19 | PLATE SCREW M6.3X19 |
| 27 | 1 | 414319 | REMSKIVE | BELT PULLEY |
| 28 | 3 | 414320 | PINOLSKRUE 8X10 | TAILSTOCK SCREW 8X10 |
| 29 | 1 | 414321 | SKAL FOR REMSKIVE | BELT PULLEY |
| 30 | 1 | 414322 | NOT 5X70 | KEY 5X70 |
| 31 | 1 | 90102591 | SEEGERRING SORT I 10 | RETAINER RING I 10 |
| 32 | 1 | 90102311 | PLANSKIVE M10.X21.X5. | FACE PLATE M10.X21.X5. |
| 33 | 1 | 414323 | STRAMMERULLE | TENSION ROLL |
| 6 | 2 | 90100690 | LÅSEMØTRIK 8.8 M5 FZ | LOCKING NUT M5 FZ |
| 35 | 1 | 414324 | REMSTRAMMERARM | BELT STRETCHER LEVER |
| 36 | 3 | 414325 | GUMMIDÆMPER 8.5X20X5 | MUFFLER 8.5X20X5 |
| 37 | 1 | 414326 | COVER | UP COVER |
| 38 | 4 | 90102925 | STÅLBOLT 8.8 M8X90 | STEEL BOLT M8X90 |
| 39 | 2 | 90100212 | INSEX UNDERSÆNKET M8X20 8.8 FZ | INSEX M8X20 8.8 FZ |
| 40 | 11 | 90102310 | PLANSKIVE M8 FZ | FACE PLATE M8 FZ |
| 41 | 1 | 414327 | CHASSIS | CHASSIS |
| 128 | 6 | 414308 | KABEL | CABLE |
| 45 | 1 | 414328 | PLASTKLODS VENSTRE | HOLDER |
| 46 | 1 | 414329 | RØR | TUBE |
| 47 | 1 | 414330 | PLASTKLODS HØJRE | HOLDER |
| 50 | 1 | 90102485 | SEEGERRING SORT U 15 | RETAINER RING U 15 |
| 109 | 1 | 414331 | FJEDER 1.1 X 11.5 X 58 | SPRING 1.1 X 11.5 X 58 |
| 100 | 1 | 411224 | FLANGEBOLT M8X20 | COLLAR BOLT M8X20 |
| 116 | 1 | 414382 | PLASTIK BØS | BUSHING |
| 127 | 6 | 296040 | PLADESKRUE MED SPIDS M4.8X19 | PLATE SCREW M4.8X19 |
| 129 | 1 | 425078 | BOLT M8X35 | BOLT M8X35 |
| 142 | 1 | 425071 | VINKELBESLAG VENSTRE | ANGLE BRACE |
| 143 | 1 | 425072 | VINKELBESLAG HØJRE | ANGLE BRACE |



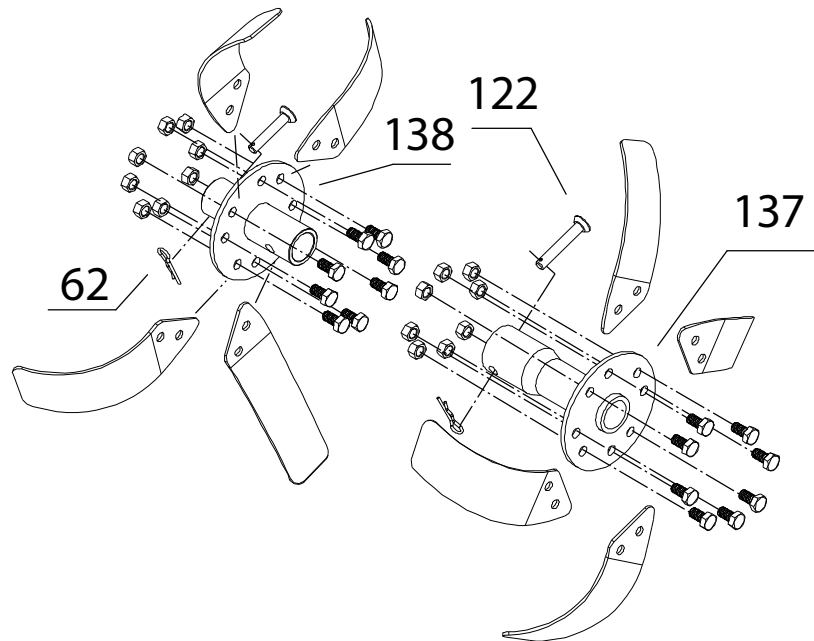
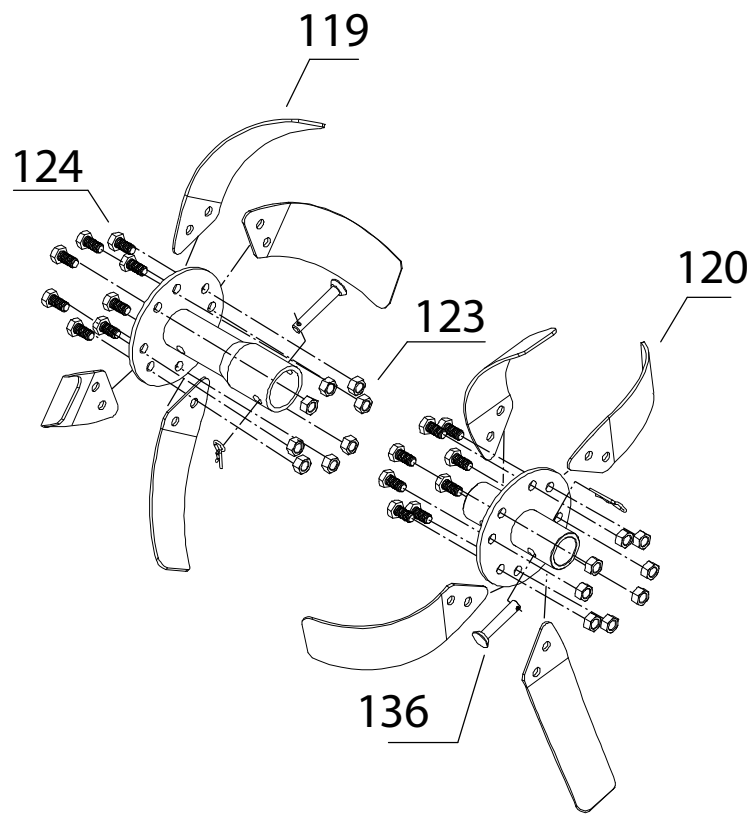
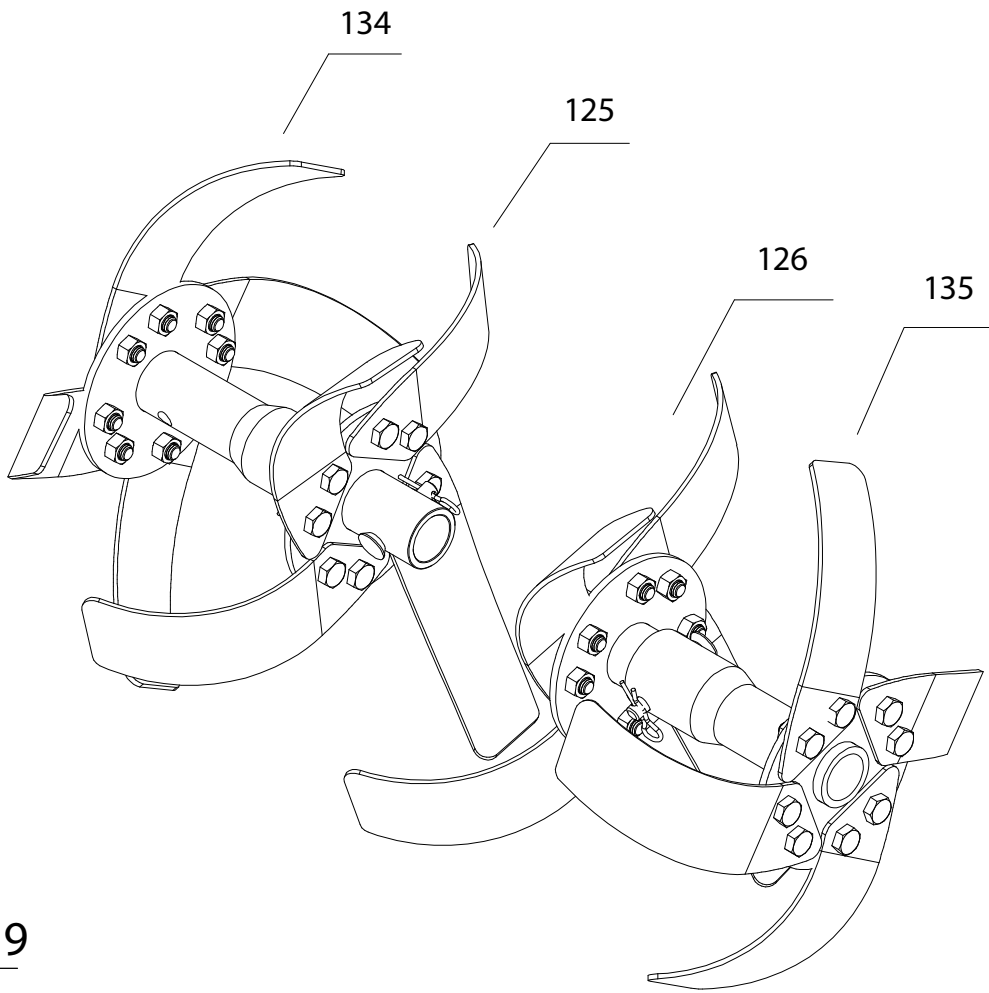
| POS | QTY | PARTNUMBER | BESKRIVELSE | DESCRIPTION |
|-----|-----|------------|----------------------------------|-----------------------------|
| 23 | 6 | 90100692 | LÅSEMØTRIK 8.8 M8 FZ | LOCKING NUT M8 FZ |
| 48 | 1 | 414332 | KONSOL | CONSOLE |
| 49 | 1 | 414333 | PEDAL | PEDAL |
| 50 | 1 | 90102485 | SEEGERRING SORT U 15 | RETAINER RING U 15 |
| 51 | 1 | 90102304 | PLANSKIVE M15X28X2 | FACE PLATE M15X28X2 |
| 52 | 1 | 414334 | BAGKONSOL | REAR BRACKET |
| 53 | 1 | 414335 | FJEDER 1.5X11.5X36 | SPRING 1.5X11.5X36 |
| 54 | 1 | 414336 | AKSEL | SHAFT |
| 132 | 2 | 411224 | FLANGEBOLT M8X20 | COLLAR BOLT M8X20 |
| 93 | 2 | 425141 | PLANSKIVE M10X34X2 | FACE PLATE M10X34X2 |
| 56 | 2 | 90102777 | SÆTBOLT 8.8 M10X50 FZ | SET BOLT M10X50 FZ |
| 57 | 2 | 414337 | HJULBØS | BUSHING |
| 58 | 2 | 90100693 | LÅSEMØTRIK 8.8 M10 FZ | LOCKING NUT M10 FZ |
| 59 | 1 | 414338 | HJULBØJLE | WHEEL CLAMP |
| 60 | 1 | 414339 | JORDSPYD | DEPTH SKID |
| 61 | 1 | 90102454 | FJEDERSPLIT 4.0X115 FZ | SPRING COTTER 4.0X115 FZ |
| 62 | 1 | 90000057 | SPLIT 2,5 MM. | COTTER 2,5 MM. |
| 63 | 1 | 414340 | HJUL 170 MM | WHEEL 170 MM |
| 107 | 1 | 414340 | HJUL 170 MM | WHEEL 170 MM |
| 43 | 2 | 425070 | BØS 17X8,5X11 | BUSHING 17X8,5X11 |
| 130 | 1 | 425068 | BAGKONSOL HØJRE | |
| 131 | 1 | 425069 | BAGKONSOL VENSTRE | |
| 55 | 4 | 411224 | FLANGEBOLT M8X20 | COLLAR BOLT M8X20 |
| 133 | 2 | 411226 | FLANGEBOLT RUSTFRI M8X30 | STAINLESS COLLAR BOLT M8X30 |
| 144 | 1 | 90100222 | INSEX MED CYLINDERHOVED M8X70 FZ | INSEX M8X70 FZ |



| POS | QTY | PARTNUMBER | BESKRIVELSE | DESCRIPTION |
|-----|-----|------------|---|------------------------|
| 23 | 10 | 90100692 | LÅSEMØTRIK 8.8 M8 FZ | LOCKING NUT M8 FZ |
| 34 | 2 | 90180951 | FLANGEMØTRIK M6 FZ | COLLAR NUT M6 FZ |
| 132 | 4 | 411224 | FLANGEBOLT M8X20 | COLLAR BOLT M8X20 |
| 40 | 8 | 90102310 | PLANSKIVE M8 FZ | FACE PLATE M8 FZ |
| 44 | 2 | 90100219 | INSEX MED CYLINDERHOVED | INSEX |
| 64 | 1 | 414341 | LÅG | LID |
| 65 | 2 | 414342 | KUGLELEJE 6302-2RS | BALL BEARING 6302-2RS |
| 66 | 1 | 414343 | TANDHJUL 8 | SPROCKET 8 |
| 67 | 1 | 414344 | BØS | BUSHING |
| 68 | 1 | 414345 | TANDHJUL 8 | SPROCKET 8 |
| 69 | 1 | 414346 | RØRSTIFT 4X25 | PIPE PIN 4X25 |
| 70 | 1 | 414347 | RØRSTIFT 8X55 | PIPE PIN 8X55 |
| 71 | 1 | 414348 | BØS | BUSHING |
| 72 | 1 | 414349 | TANDHJUL | SPROCKET |
| 73 | 1 | 414350 | BØS | BUSHING |
| 74 | 1 | 414351 | AKSEL | SHAFT |
| 75 | 1 | 90102600 | SEEGERRING SORT I 20 | RETAINER RING I 20 |
| 76 | 1 | 414352 | KUGLELEJE 6201-2RS | BALL BEARING 6201-2RS |
| 77 | 1 | 414353 | TANDHJUL 25 | SPROCKET 25 |
| 78 | 1 | 414354 | AKSEL | SHAFT |
| 79 | 1 | 414355 | KUGLELEJE 6004 -2RS | BALL BEARING 6004 -2RS |
| 80 | 1 | 414356 | SKIFTEARM | LEVER |
| 81 | 2 | 414308 | KABEL | CABLE |
| 82 | 1 | 414357 | HOLDER HØJRE | HOLDER |
| 83 | 1 | 414358 | GEARHUS | HOUSING |
| 84 | 1 | 414359 | HOLDER VENSTRE | HOLDER |
| 85 | 1 | 414360 | STØTTE FOR FJEDER | SUPPORT |
| 53 | 1 | 414335 | FJEDER 1.5X11.5X36 | SPRING 1.5X11.5X36 |
| 87 | 2 | 90100156 | INSEX MED CYLINDERHOVED M5X15 8.8 FZ | INSEX M5X15 8.8 FZ |
| 88 | 1 | 90102887 | STÅLBOLT 8.8 M6X35 FZ | STEEL BOLT M6X35 FZ |
| 89 | 2 | 90100661 | STÅLMØTRIK 8.8 M6 FZ | STEEL NUT M6 FZ |
| 90 | 1 | 414362 | PLADE | PLATE |
| 91 | 12 | 290464 | FLANGEBOLT GUL M6X14 | COLLAR BOLT M6X14 |
| 92 | 1 | 414363 | KÆDE 18 | CHAIN 18 |
| 94 | 1 | 414364 | KNIVSKÆRM HØJRE | KNIFE GUARD |
| 96 | 1 | 414365 | CHASSIS HØJRE | CHASSIS |
| 97 | 1 | 414366 | BASE FOR GEARHUS | BASE |
| 98 | 4 | 414367 | SKIVE | WASHER |
| 99 | 1 | 414368 | TANDHJUL 16 | SPROCKET 16 |
| 147 | 1 | 90102485 | SEEGERRING SORT U 15 | RETAINER RING U 15 |
| 101 | 1 | 414369 | CHASSIS VENSTRE | CHASSIS |
| 102 | 1 | 414370 | KNIVSKÆRM VENSTRE GUL | KNIFE GUARD |
| 103 | 2 | 419119 | KRAVE | SLEEVE |
| 104 | 1 | 414372 | FRONT LÅG | LID |
| 111 | 1 | 414841 | DÆKSEL FOR REM | LID |
| 114 | 1 | 425073 | BØS | BUSHING |
| 141 | 2 | 419120 | FJEDERSKIVE | SPRING COLLAR |



| POS | QTY | PARTNUMBER | BESKRIVELSE | DESCRIPTION |
|-----|-----|------------|-------------------------------------|-----------------------|
| 1 | 1 | 414384 | GEARKASSE KOMPLET | GEAR BOX |
| 23 | 1 | 90100692 | LÅSEMØTRIK 8.8 M8 FZ | LOCKING NUT M8 FZ |
| 34 | 16 | 90180951 | FLANGEMØTRIK M6 FZ | COLLAR NUT M6 FZ |
| 40 | 2 | 90102310 | PLANSKIVE M8 FZ | FACE PLATE M8 FZ |
| 91 | 16 | 290464 | FLANGEBOLT GUL M6X14 | COLLAR BOLT M6X14 |
| 105 | 2 | 414373 | BØS | BUSHING |
| 106 | 1 | 414374 | GEARKASSE VENSTRE | GEAR BOX |
| 108 | 2 | 414376 | KUGLELEJE 6003-RS | BALL BEARING 6003-RS |
| 110 | 2 | 414377 | KUGLELEJE 6206-2RS | BALL BEARING 6206-2RS |
| 112 | 1 | 414378 | UDGANGSAKSEL 30 T | OUTPUT SHAFT 30 T |
| 113 | 1 | 414379 | TANDHJUL 64 T | SPROCKET 64 T |
| 115 | 1 | 414381 | KÆDE 42 | CHAIN 42 |
| 117 | 1 | 414383 | GEARKASSE HØJRE | GEAR BOX |
| 118 | 1 | 90100225 | INSEX MED CYLINDERHOVED M8X90 FZ | INSEX M8X90 FZ |
| 139 | 1 | 425074 | UDGANGSAKSEL 11 T | OUTPUT SHAFT 11 T |
| 140 | 1 | 425077 | BØS | BUSHING |
| 42 | 2 | 425075 | SKIVE 62X29,3X1 | WASHER 62X29,3X1 |



| POS | QTY | PARTNUMBER | BESKRIVELSE | DESCRIPTION |
|-----|-----|------------|---------------------------|----------------------|
| 62 | 4 | 90000057 | SPLIT 2,5 MM. | COTTER 2,5 MM. |
| 119 | 8 | 90000215 | KNIVBLAD VENSTRE 200/3/50 | KNIFE BLADE 200/3/50 |
| 120 | 8 | 90000214 | KNIVBLAD HØJRE 200/3/50 | KNIFE BLADE 200/3/50 |
| 122 | 2 | 90000007 | SPLITBOLT 10X60 | COTTER BOLT 10X60 |
| 123 | 32 | 90100721 | STÅLMØTRIK 3/8" UNF | STEEL NUT 3/8" UNF |
| 124 | 32 | 90102938 | STÅLBOLT 8.8 M10X20 | STEEL BOLT M10X20 |
| 125 | 1 | 425081 | HØJRE INDRE KNIV LX | BLADE LX |
| 126 | 1 | 425082 | VENSTRE INDRE KNIV LX | BLADE LX |
| 134 | 1 | 425083 | HØJRE YDER KNIV LX | BLADE LX |
| 135 | 1 | 425084 | VENSTRE YDER KNIV LX | BLADE LX |
| 136 | 2 | 425076 | SPLITBOLT 10X50 | COTTER BOLT 10X50 |
| 137 | 2 | 425079 | KNIVRØR YDRE LX | KNIFE TUBE LX |
| 138 | 2 | 425080 | KNIVRØR INDRE LX | KNIFE TUBE LX |