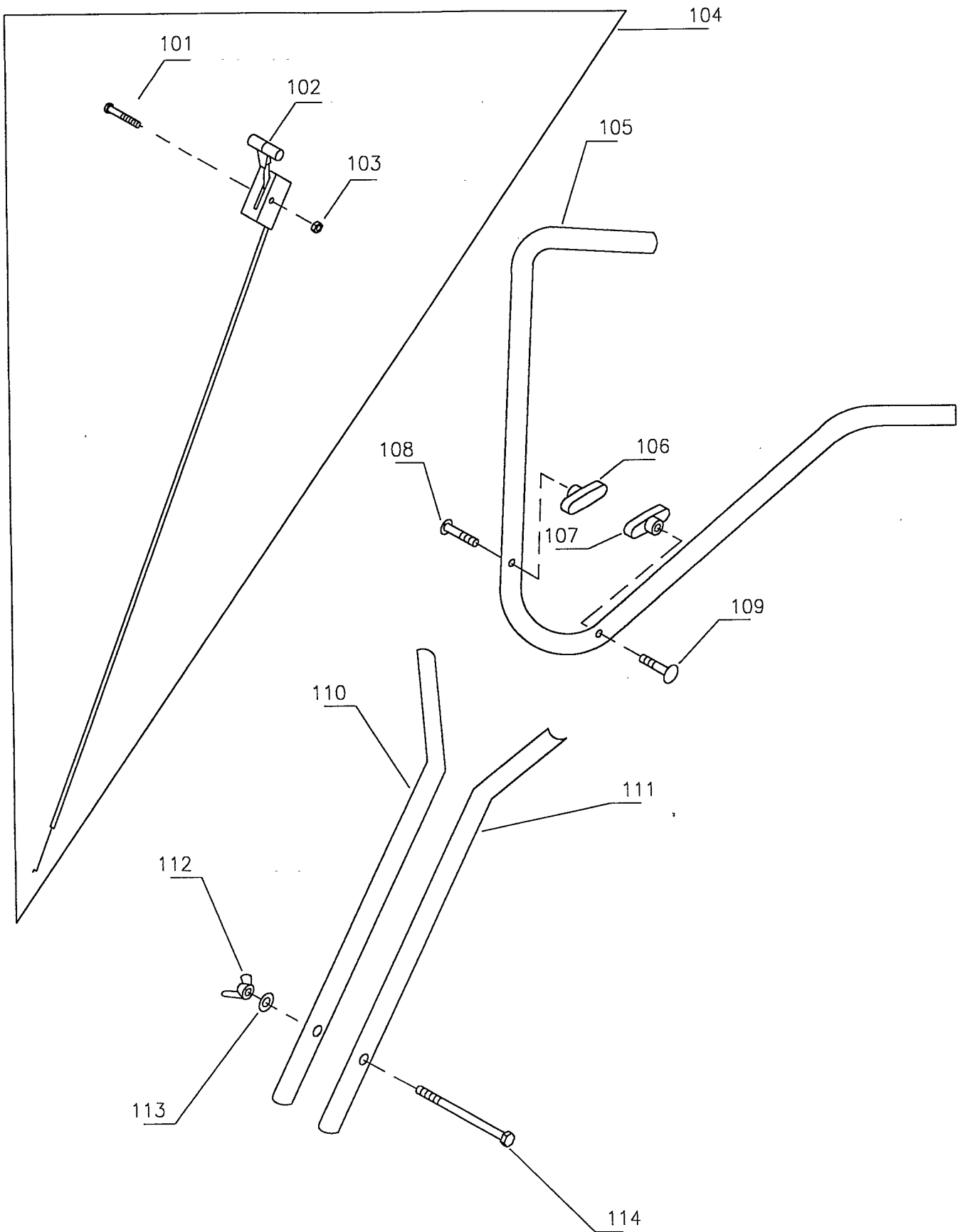
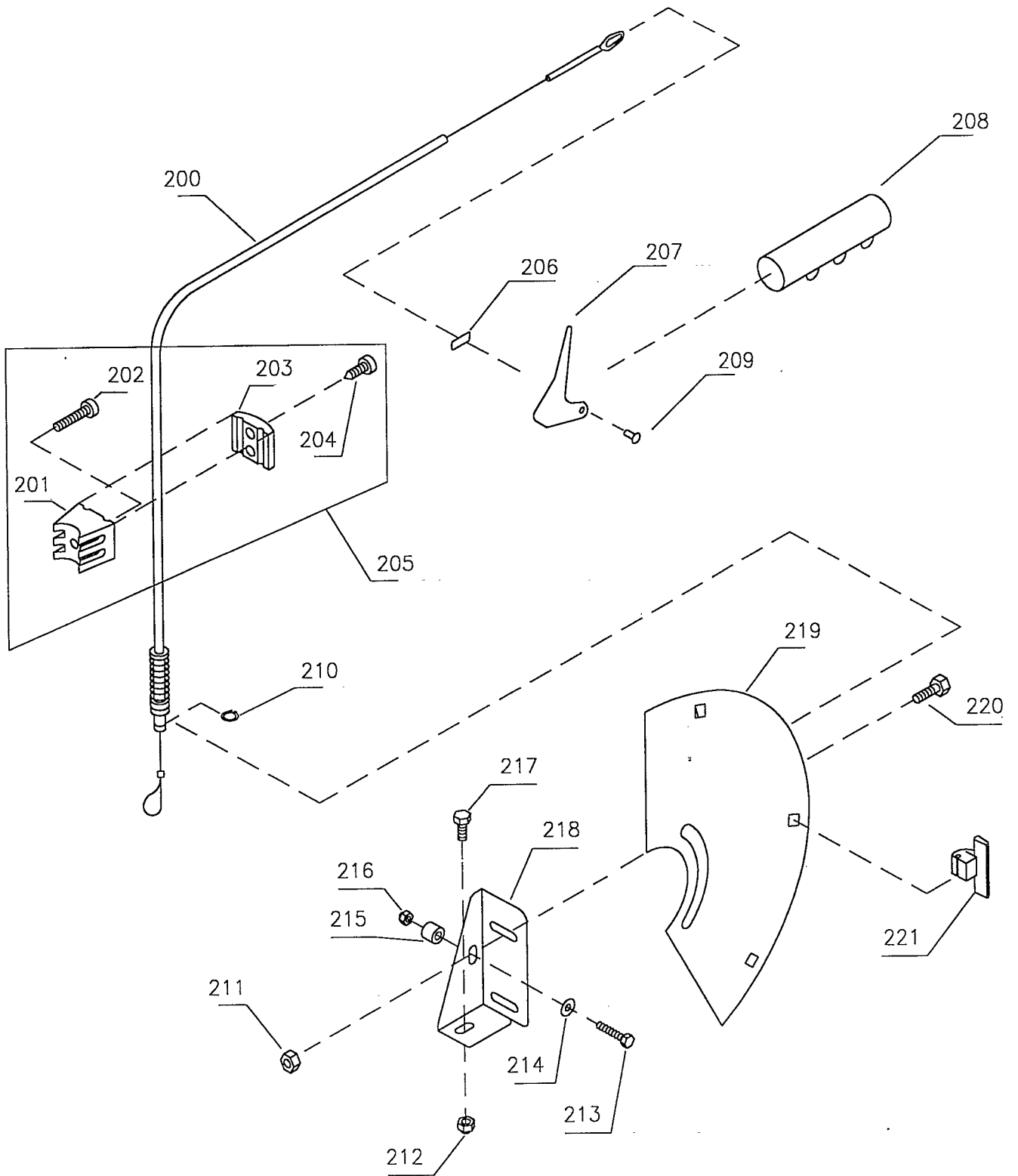


| Illustration B | | Motor / Strammerulle | Motortyp / Spannrolle | Engine / Belt tightener | Moteur / Tendeur de courroie | |
|----------------|------------|-------------------------|--------------------------|----------------------------|---------------------------------|--------------------|
| Nr. | Best.nr. | Stk | Beskrivelse DK | Bezeichnung D | Description GB | Description F |
| 001 | 90122160 | 4 | Stålbolt | Schraube | Screw | Vis |
| 002 | 90122180 | 4 | Stålmøtrik | Mutter | Nut | Ecrou |
| 003 | 135292 | 1 | Motor 5 HK B&S | Motor 5 PS B&S | Motor 5 HP B&S | Moteur 5CV B&S |
| | FA210AFS51 | 1 | Motor 5 HK Kawa | Motor 5 PS Kawa | Motor 5 HP Kawa | Moteur 5CV Kawa |
| 004 | 90628459 | 1 | Olieadvar. label | Aufkleber | Warning label | Moteur marque |
| 005 | 90000772 | 1 | Udstødningsgitter | Auspuffschutz | Protection Sheet | Ecrou Protecteur |
| 006 | 90100283 | 2 | Pinolskrue | Schraube | Screw | Vis |
| 007 | 90001655 | 1 | Fremremskive | Keilriemenscheibe | Pulley forward | Poulie marche |
| 008 | 90102060 | 1 | Not | Passfeder | Key | Clavette |
| 009 | 90001657 | 1 | Bakplade komplet | Platte kpl. | Fitting plate cpl. | Cons. d. Mar. cpl. |
| 010 | 90001231 | 1 | Bakplade m. arm | Platte mit Arm | Fitting plate, rev. | Cons de marche |
| 011 | 90102730 | 1 | Sætskrue | Schraube | Screw | Vis |
| 012 | 90102195 | 1 | Låseskive | Federscheibe | Lockwasher | Rondelle frein |
| 013 | 90100661 | 1 | Stålmøtrik | Mutter | Nut | Ecrou |
| 014 | 90102198 | 2 | Låseskive | Federscheibe | Lockwasher | Rondelle frein |
| 015 | 90103890 | 2 | Stålbolt, B&S | Schraube, B&S | Screw, B&S | Vis, B&S |
| | 90102741 | 2 | Stålbolt, Kawa | Schraube, Kawa | Screw, Kawa | Vis, Kawa |
| 016 | 90100068 | 1 | Bræddebolt | Schraube | Screw | Vis |
| 017 | 90000091 | 1 | Beslag for skærm | Konsole | Cons.f.prot. sheet | Console |
| 018 | 90102310 | 1 | Planskive | Planscheibe | Washer | Rondelle |
| 019 | 90102195 | 1 | Låseskive | Federscheibe | Lockwasher | Rondelle frein |
| 020 | 90100661 | 1 | Stålmøtrik | Mutter | Nut | Ecrou |
| 021 | 90102310 | 1 | Planskive | Planscheibe | Washer | Rondelle |
| 022 | 90102198 | 1 | Låseskive | Federscheibe | Lockwasher | Rondelle frein |
| 023 | 90102741 | 1 | Stålbolt | Schraube | Screw | Vis |
| 024 | 90000462 | 1 | Fjeder f. fremarm | Feder | Spring | Ressort |
| 025 | 90120100 | 1 | Afstandsskive | Abstandscheibe | Washer | Rondelle |
| 026 | 90102773 | 1 | Stålbolt | Schraube | Screw | Vis |
| 027 | 90307745 | 1 | Strammerulle | Spanrolle vorw. | Idle pulley for. | Tendeur de cour. |
| 028 | 90001238 | 1 | Afstandsbøs | Buchse | Bushing | Entretoise |
| 029 | 90001237 | 1 | Fremarm | Konsole | Idle arm | Console |
| 030 | 90102486 | 1 | Seegering | Sprengring | Circlips | Circlip |
| 031 | 90102311 | 1 | Planskive | Planscheibe | Washer* | Rondelle |
| 032 | 90111557 | 1 | Kontramøtrik | Kontermutter | Nut | Ecrou |
| 033 | 90001312 | 1 | Fremarm komplet | Spanrolle kpl. | Idle arm assy | Tend.d.cour. cpl. |



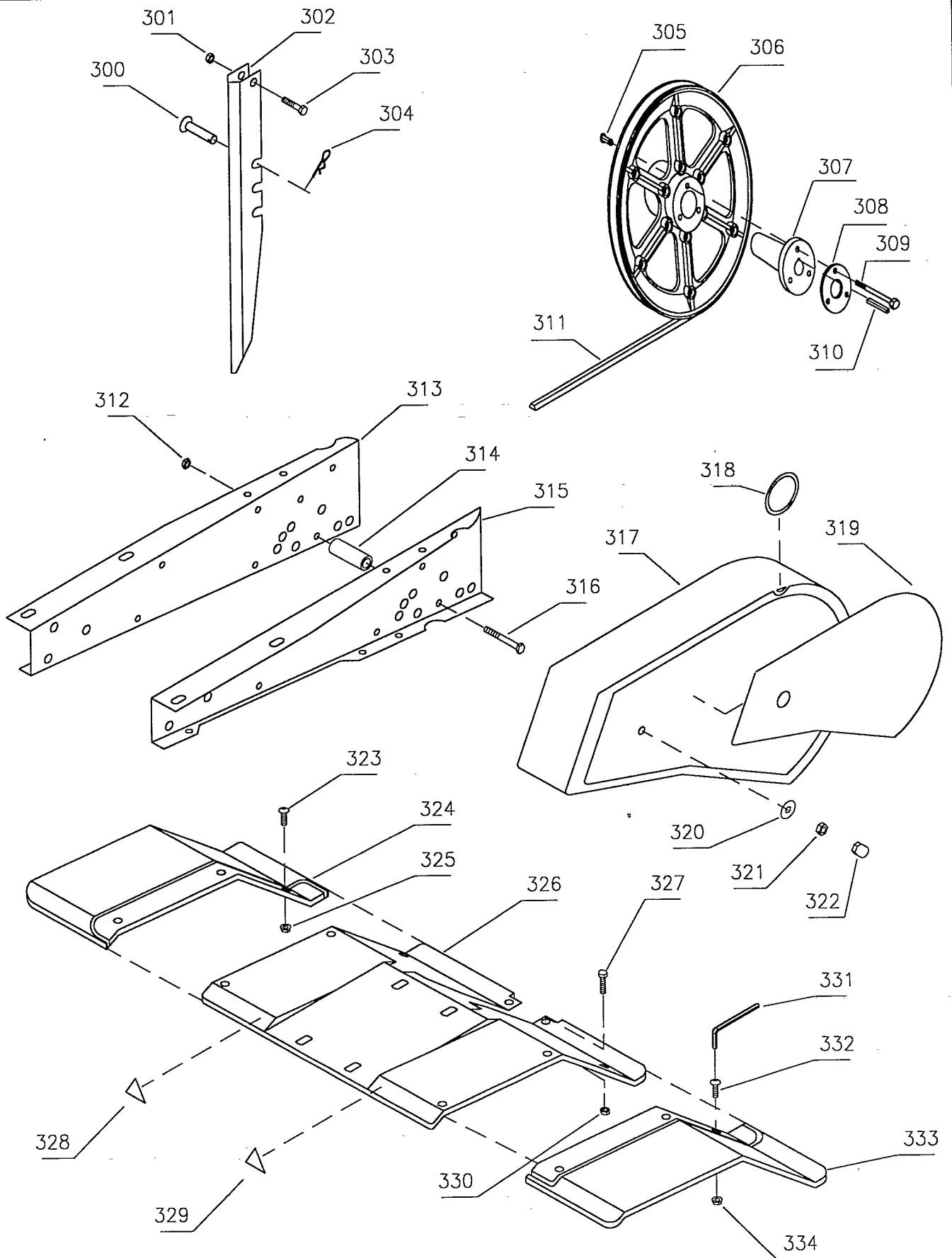
| Illustration D | | Styr | | Lenkholm | Handlebar | Poignee |
|----------------|----------|------|-------------------|--------------------|-----------------------|----------------------|
| Nr. | Best nr. | Stk | Beskrivelse DK | Bezeichnung D | Description GB | Description F |
| 101 | 90102893 | 1 | Stålbolt | Schraube | Bolt | Vis |
| 102 | 90307020 | 1 | Gasregulering | Gaszug | Throttle control | Etrangle.du gaz |
| 103 | 90100691 | 1 | Låsemøtrik | Mutter | Nut | Ecrou |
| 104 | 90307002 | 1 | Gaskabel kpl. | Gaszug Kpl. | Throttle control cpl. | Etrangle du gaz cpl. |
| 105 | 90001240 | 1 | Styr -gul | Lenkholm - Gelb | Handle - yellow | Poignee - jaune |
| | 90001243 | 1 | Styr - rød | Lenkholm - Rot | Handle - red | Poignee - rouge |
| 106 | 90307530 | 1 | Vingemøtrik plast | Flügelmutter | Wing nut | Ecrou papillon |
| 107 | 90307530 | 1 | Vingemøtrik plast | Flügelmutter | Wing nut | Ecrou papillon |
| 108 | 90100075 | 1 | Bræddebolt | Bundschrabe | Screw | Vis |
| 109 | 90100075 | 1 | Bræddebolt | Bundschrabe | Screw | Vis |
| 110 | 90001248 | 1 | Styrrør - gul | Lenkrohr - Gelb | Handlebar-yellow | Barre - jaune |
| | 90001251 | 1 | Styrrør - rød | Lenkrohr - Rot | Handlebar-red | Barre - rouge |
| 111 | 90001248 | 1 | Styrrør - gul | Lenkrohr - Gelb | Handlebar-yellow | Barre - jaune |
| | 90001251 | 1 | Styrrør - rød | Lenkrohr - Rot | Handlebar-red | Barre - rouge |
| 112 | 90100602 | 1 | Vingemøtrik stål | Flügelmutter Stahl | Wing nut Steel | Ecrou papillon |
| 113 | 90102198 | 1 | Låseskive | Federscheibe | Lock washer | Rondelle frein |
| 114 | 90102931 | 1 | Stålbolt | Schraube | Screw | Vis |

Model Lilli 300, 325, 520, 522



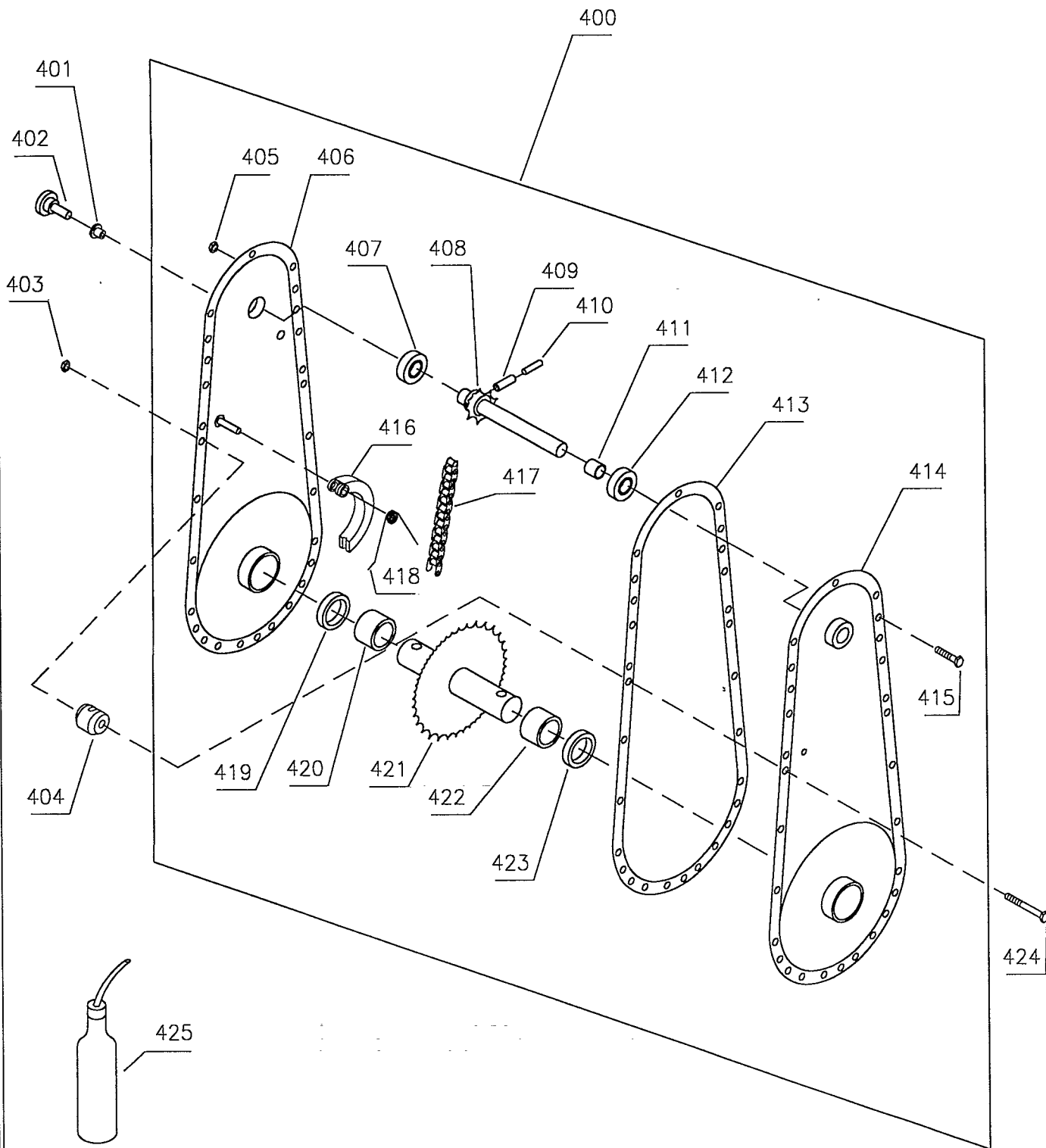
| Illustration G | | Koblingsgreb | | Kupplungsgriff | Clutch Handle | Poignee d'embrayage |
|----------------|----------|--------------|------------------|------------------|-------------------|---------------------|
| Nr. | Best nr. | Stk | Beskrivelse DK | Bezeichnung D | Description GB | Description F |
| 200 | 90000516 | 1 | Koblingskabel | Kupplungsseil | Clutch cable | Cable d'embr. |
| 201 | 90307727 | 1 | Bagplade | Hinter Platte | Rear plate | Tranche |
| 202 | 90102891 | 1 | 6.kt. Skrue | Schraube | Bolt | Vis |
| 203 | 90307726 | 1 | Forplade | Vorder Platte | Front plate | Tranche |
| 204 | 90122400 | 2 | Torx skrue | Torx Schraube | Torx screw | Vis, torx |
| 205 | 90307700 | 1 | Kabelholder kpl. | Kabelhalter Kpl. | Cable block cpl. | Casse de cable |
| 206 | 90628671 | 1 | Retningsmærke | Richtungsmarke | Direction mark | Direction marque |
| 207 | 90001252 | 1 | Koblingsgreb | Kupplungsgriff | Clutch handle | Poignee d'embr. |
| 208 | 90307352 | 2 | Skumgreb | Handgriff | Grip | Poignee d'embr. |
| 209 | 90101416 | 1 | Nitte | Niet | Rivet | Rivet |
| 210 | 90102480 | 1 | Seegering | Sprengring | Circlips | Circlip |
| 211 | 90122180 | 2 | Møtrik | Mutter | Nut | Ecrou |
| 212 | 90122180 | 1 | Møtrik | Mutter | Nut | Ecrou |
| 213 | 90102728 | 2 | Sætskrue | Schraube | Screw | Vis |
| 214 | 90102309 | 1 | Planskive | Plansche | Washer | Rondelle |
| 215 | 90001069 | 1 | Bøs | Buchse | Bushing | Entretoise |
| 216 | 90100691 | 1 | Låsemøtrik | Mutter | Nut | Ecrou |
| 217 | 90122150 | 1 | Sætskrue | Schraube | Screw | Vis |
| 218 | 90001216 | 1 | Vinkel | Winkel | Angle | Agle |
| 219 | 90001381 | 1 | Bagskærm - gul | Abdeckung -Gelb | Rear sh. - yellow | Plaque - jaune |
| | 90001382 | 1 | Bagskærm - rød | Abdeckung - Rot | Rear sheet - red | Plaque - rouge |
| 220 | 90122150 | 2 | Sætskrue | Schraube | Screw | Vis |
| 221 | 90307703 | 3 | Holder for skærm | Halterung | Bracket | Support |

Model Lilli 300, 325, 520



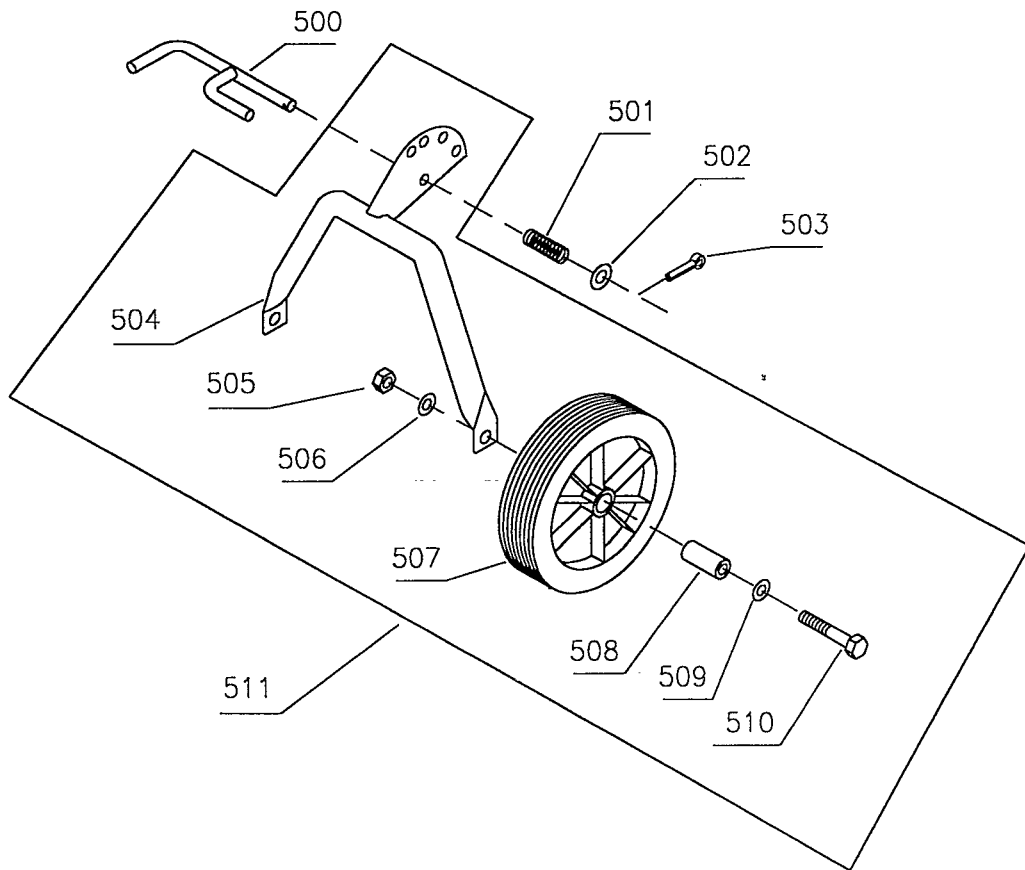
| Illustration K | | Remskive | | Keilriemenscheibe | Pulley | Poulie |
|----------------|----------|----------|-------------------|-------------------|-----------------|------------------|
| Nr. | Best.nr. | Stk | Beskrivelse DK | Bezeichnung D | Description GB | Description F |
| 300 | 90000056 | 1 | Splitbolt | Steckbolzen | Cotter bolt | Boulon á goupill |
| 301 | 90100661 | 1 | Stålmøtrik | Mutter | Nut | Ecrou |
| 302 | 90001269 | 1 | Jorspyd | Bremssporn | Depth skid | Chevetre |
| 303 | 90102887 | 1 | Stålbolt | Schraube | Bolt | Vis |
| 304 | 90000057 | 1 | Split | Federsplint | Cotter pin | Goupille |
| 305 | 90111600 | 3 | Blindnitte møtrik | Mutter | Nut | Ecrou |
| 306 | 90307767 | 1 | Hovedhjul | Antriebsrad | Ground wheel | Roue principale |
| 307 | 90307762 | 1 | Konus | Kegel | Cone | Cône |
| 308 | 90121040 | 1 | Skive | Scheibe | Washer | Rondelle |
| 309 | 90102876 | 3 | Stålbolt | Schraube | Bolt | Vis |
| 310 | 90102075 | 1 | Pasfeder | Passfeder | Groove | Clavette |
| 311 | 90301039 | 1 | Fremrem | Keilriemen Vorw. | V-Belt, forward | Courroie |
| 312 | 90122180 | 2 | Stålmøtrik | Mutter | Nut | Ecrou |
| 313 | 90001192 | 1 | Vange H - gul | Rahmen R -Gelb | MemberR-yellow | Partie D – jaune |
| | 90001194 | 1 | Vange H - rød | Rahmen R - Rot | Member R - red | Partie D – rouge |
| 314 | 90001068 | 2 | Afstandsøs | Buchse | Bushing | Entretoise |
| 315 | 90001193 | 1 | Vange V - gul | Rahmen L - Gelb | Member L-yellow | Partie G – jaune |
| | 90001195 | 1 | Vange V - rød | Rahmen L - Rot | Member L - red | Partie G – rouge |
| 316 | 90122160 | 2 | Stålbolt | Schraube | Bolt | Vis |
| 317 | 90307759 | 1 | Plastskaerm | Keilr.schutz | Prot.sheet | Pla.de prot. |
| 318 | 90307704 | 2 | Strop for skaerm | Stropfen | Strap | Tampon |
| 319 | 90628149 | 1 | Label | Aufkleber | Label | Marque |
| 320 | 90102309 | 1 | Planskive | Scheibe | Washer | Rondelle |
| 321 | 90180951 | 1 | Flangemøtrik | Mutter | Nut | Ecrou |
| 322 | 90307716 | 1 | Møtrikbeskytter | Stropfen | Hood | Tampon |
| 323 | 90122401 | 3 | Flangeskrue | Schraube | Screw | Vis |
| 324 | 90307733 | 1 | Yderskaerm, højre | Schutzdach, R | Outer sheet, R | Plaque de prot. |
| 325 | 90180950 | 3 | Flangemøtrik | Mutter | Nut | Ecrou |
| 326 | 90001265 | 1 | Knivskaerm - gul | Schutzdach-Gelb | Sheet - yellow | Plaque – jaune |
| | 90001268 | 1 | Knivskaerm - rød | Schutzdach - Rot | Sheet - red | Plaque – rouge |
| 327 | 90122150 | 2 | Saetskrue | Schraube | Screw | Vis |
| 328 | 90628569 | 1 | Advarselstrekant | Warndreieck | Warning mark | Attention marque |
| 329 | 90628569 | 1 | Advarselstrekant | Warndreieck | Warning mark | Attention marque |
| 330 | 90122180 | 2 | Stålmøtrik | Mutter | Nut | Vis |
| 331 | 90122618 | 1 | Torx nøgle | Torx Schlüssel | Torx spanner | Clef á vis |
| 332 | 90122401 | 3 | Flangeskrue | Schraube | Screw | Vis |
| 333 | 90307734 | 1 | Yderskaerm, ven. | Schutzdach, L | Outer sheet, L | Plaque de prot. |
| 334 | 90180950 | 3 | Flangemøtrik | Mutter | Nut | Vis |

Model Lilli 520, 540



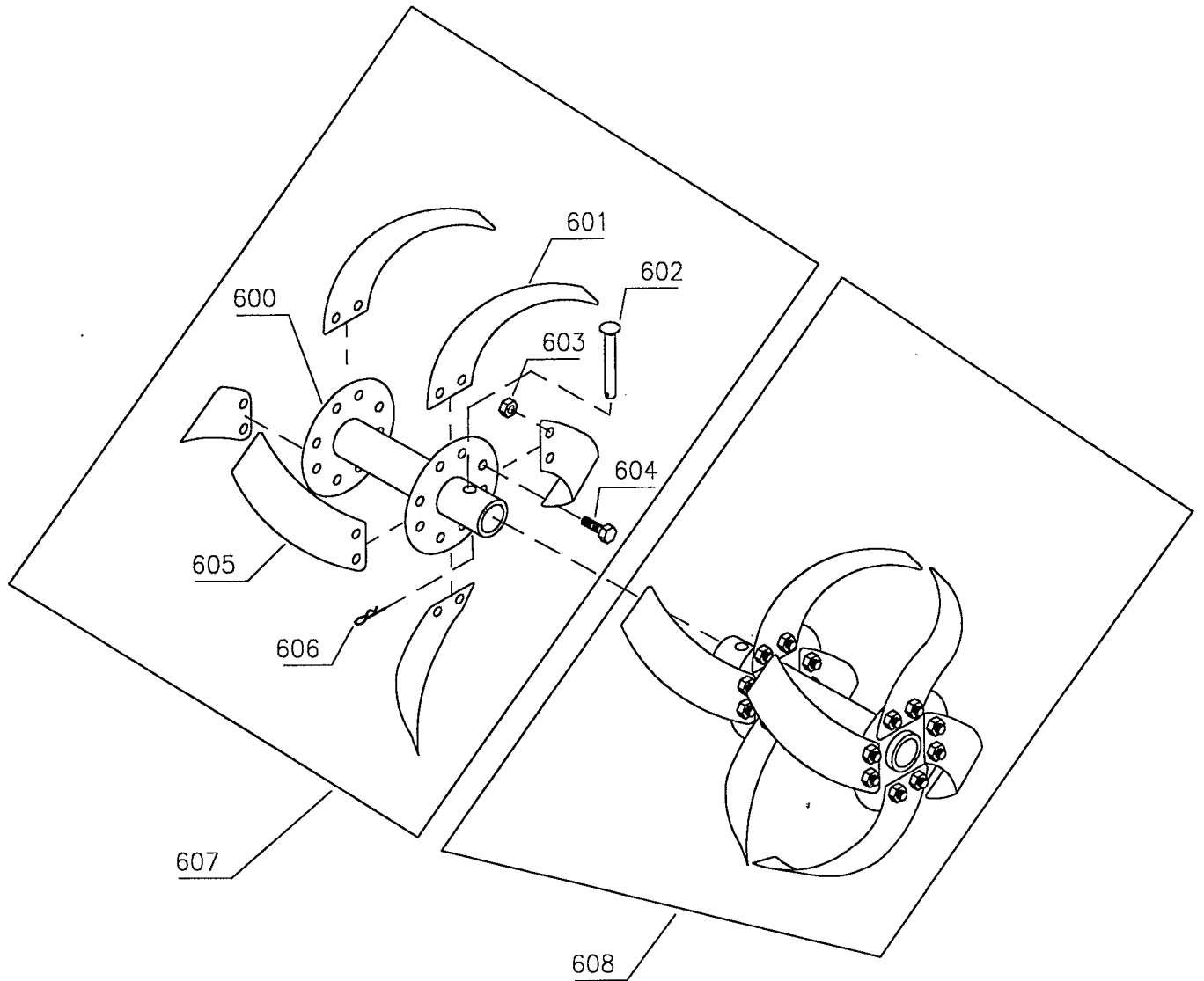
| Illustration M | | Kædekasse | Getriebe | Chain case | Cater de transmission | |
|----------------|----------|-----------|--------------------|--------------------|-----------------------|--------------------|
| Nr. | Best nr. | Stk | Beskrivelse DK | Bezeichnung D | Description GB | Description F |
| 400 | 90001175 | 1 | Kædekasse - gul | Kettenkas. - Gelb | Chaine c.- yellow | Cater.tra.-jaune |
| | 90001176 | 1 | Kædekasse - rød | Kettenkas. - Rot | Chaine case-Red | Cater.tra.-rouge |
| 401 | 90000324 | 1 | Bøsning for prop | Buchse f.Öleinfül | Bushing | Entretoise |
| 402 | 90000323 | 1 | Olieprop | Plastikstopfen | Plut | Cheville |
| 403 | 90122180 | 4 | Møtrik | Mutter | Nut | Ecrou |
| 404 | 90307738 | 4 | Monteringsbøs | Montierungsbuch. | Mounting bush | Mount entretoise |
| 405 | 90100660 | 24 | Møtrik | Mutter | Nut | Ecrou |
| 406 | 90001274 | 1 | Højre dæksel | Deckel, rechts | Chain case, right | Partie droite |
| 407 | 90200221 | 1 | Kugleleje | Kugellager | Ball bearing | Roule. a billes |
| 408 | 90001223 | 1 | Indgangsaksel | Eingangswelle | Shaft inner | Axe |
| 409 | 90104476 | 1 | Rørstift | Spannstift | Pin | Vis de serrage |
| 410 | 90104422 | 1 | Rørstift | Spannstift | Pin | Vis de serrage |
| 411 | 90001224 | 1 | Afstandsbøs | Buchse | Bushing | Entretoise |
| 412 | 90200221 | 1 | Kugleleje | Kugellager | Ball bearing | Roule. a billes |
| 413 | 90001225 | 1 | Pakning | Dichtung | Gasket | Joint de carter |
| 414 | 90001278 | 1 | Venstre dæksel | Deckel, links | Chain case, left | Partie, gauche |
| 415 | 90102716 | 1 | Sætskrue | Schraube | Screw | Vis |
| 416 | 90001222 | 1 | Kædestrammer | Kettenspanner | Chain tightener | Tendeur d. courr. |
| 417 | 90001089 | 1 | Kæde | Kette | Chain | Chaine |
| 418 | 90001221 | 1 | Fjeder | Feder | Spring | Ressort |
| 419 | 90101620 | 1 | Olietætningsring | Radialdichtung | Oil seal | Joint SPI |
| 420 | 90201190 | 1 | Nåleleje | Nadellager | Needle bearing | Roule. a billes |
| 421 | 90001088 | 1 | Udgangsaksel | Ausgangswelle | Shaft outer | Axe |
| 422 | 90201190 | 1 | Nåleleje | Nadellager | Needle bearing | Roule. a billes |
| 423 | 90101620 | 1 | Olietætningsring | Radialdichtung | Oil seal | Joint SPI |
| 424 | 90122160 | 4 | Stålbolt | Schraube | Screw | Vis |
| 425 | 90306500 | 1 | Multifak EP00 0,5l | Multifak EP00 0,5l | Multifak EP00 0,5l | Multifak EP00 0,5l |

Model Lilli 300, 325, 340, 520, 522, 540, 542, 562, 572



| Illustration O | | Støttehjul | | Stützrad | Support wheel | Roue de support |
|----------------|----------|------------|-------------------|---------------|----------------|------------------|
| Nr. | Best.nr. | Stk | Beskrivelse DK | Bezeichnung D | Description GB | Description F |
| 500 | 90001151 | 1 | Lås for hjulbøjle | Arretierung | Lock | A broche |
| 501 | 90001153 | 1 | Fjeder | Feder | Spring | Ressort |
| 502 | 90102311 | 1 | Planskive | Scheibe | Washer | Rondelle |
| 503 | 90102418 | 1 | Split | Federstecker | Pin | Goupille |
| 504 | 90001273 | 1 | Hjulbøjle | Radgabel | Fork | Rouage |
| 505 | 90100663 | 2 | Stålmøtrik | Mutter | Nut | Ecrou |
| 506 | 90102199 | 2 | Låseskive | Federscheibe | Lock washer | Rondelle frein |
| 507 | 90304210 | 2 | Hjul | Rad | Wheel | Roue de support |
| 508 | 90001142 | 2 | Hjulbøs | Radbuchse | Wheel bushing | Entretoise |
| 509 | 90102311 | 2 | Planskive | Scheibe | Washer | Rondelle |
| 510 | 90102946 | 2 | Stålbolt | Schraube | Screw | Vis |
| 511 | 90001152 | 1 | Hjulbøjle kpl. | Radgabel Kpl. | Fork cpl. | Roue de sup. Cpl |

Model Lilli 325, 340, 520, 522, 540, 542, 562, 572



| Illustration P | | Fræserknive | | Hacksatz | Set of rotors | Jeu de fraises |
|----------------|----------|-------------|--------------------|-------------------|------------------|--------------------|
| Nr. | Best nr. | Stk | Beskrivelse DK | Bezeichnung D | Description GB | Description F |
| 600 | 90001126 | 2 | Knivrør | Messerrohr | Tupe | Tube |
| 601 | 90000681 | 8 | Knivblad, venstre | Hackmesser, links | Left blade | Fraises, droite |
| 602 | 90000007 | 2 | Splitbolt | Steckbolzen | Cotter bolt | Boulon à goupille |
| 603 | 90100721 | 32 | Møtrik | Mutter | Nut | Ecrou |
| 604 | 90103908 | 32 | Stålbolt | Schraube | Screw | Vis |
| 605 | 90000680 | 8 | Knivblad, højre | Hackmesser, rech. | Right blade | Fraises, gauche |
| 606 | 90000057 | 2 | Split | Federsplinte | Cotter pin | Goupille |
| 607 | 90000720 | 1 | Kniv, højre kpl. | Hacksatz, R kpl. | Right rotor cpl. | Fraises ens. droit |
| 608 | 90000721 | 1 | Kniv, venstre kpl. | Hacksatz, L kpl. | Left rotor cpl. | Fraises ens. gau. |
| 609 | 90122615 | 1 | Knivnøgle | Hacksatzschüssel | Rotorkey | Fraises rouleau |

Model Lilli 300, 325, 520, 522