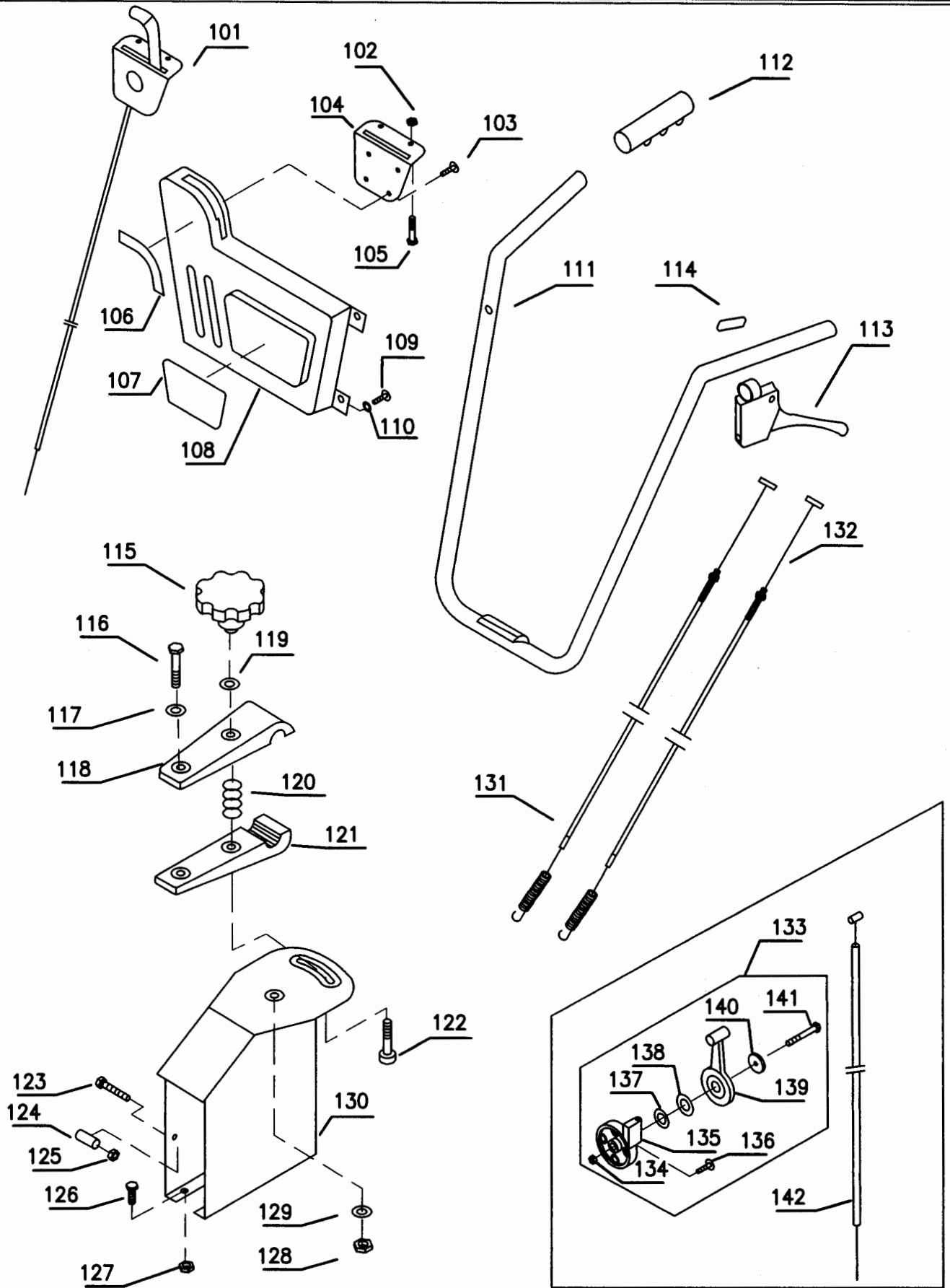
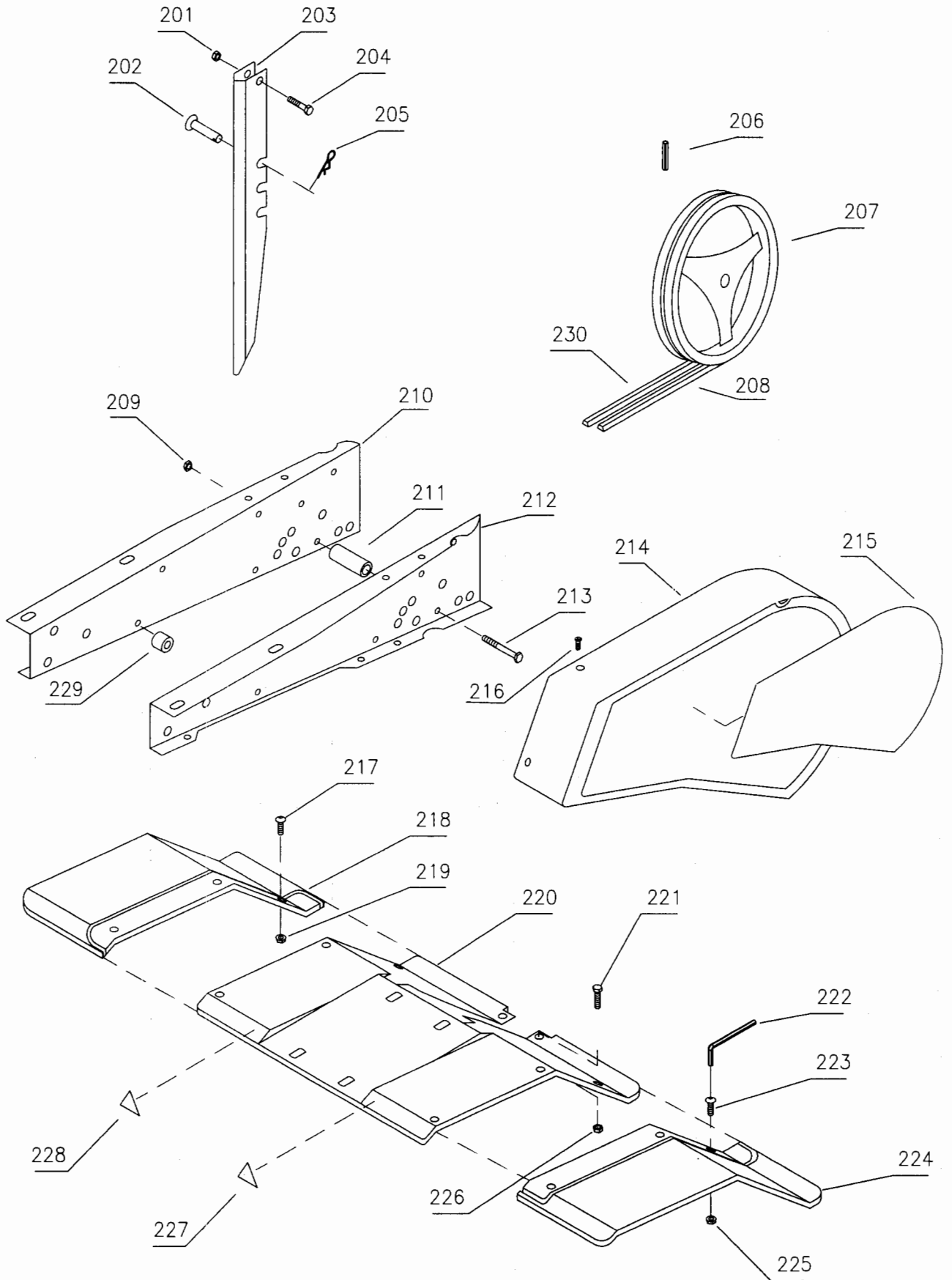


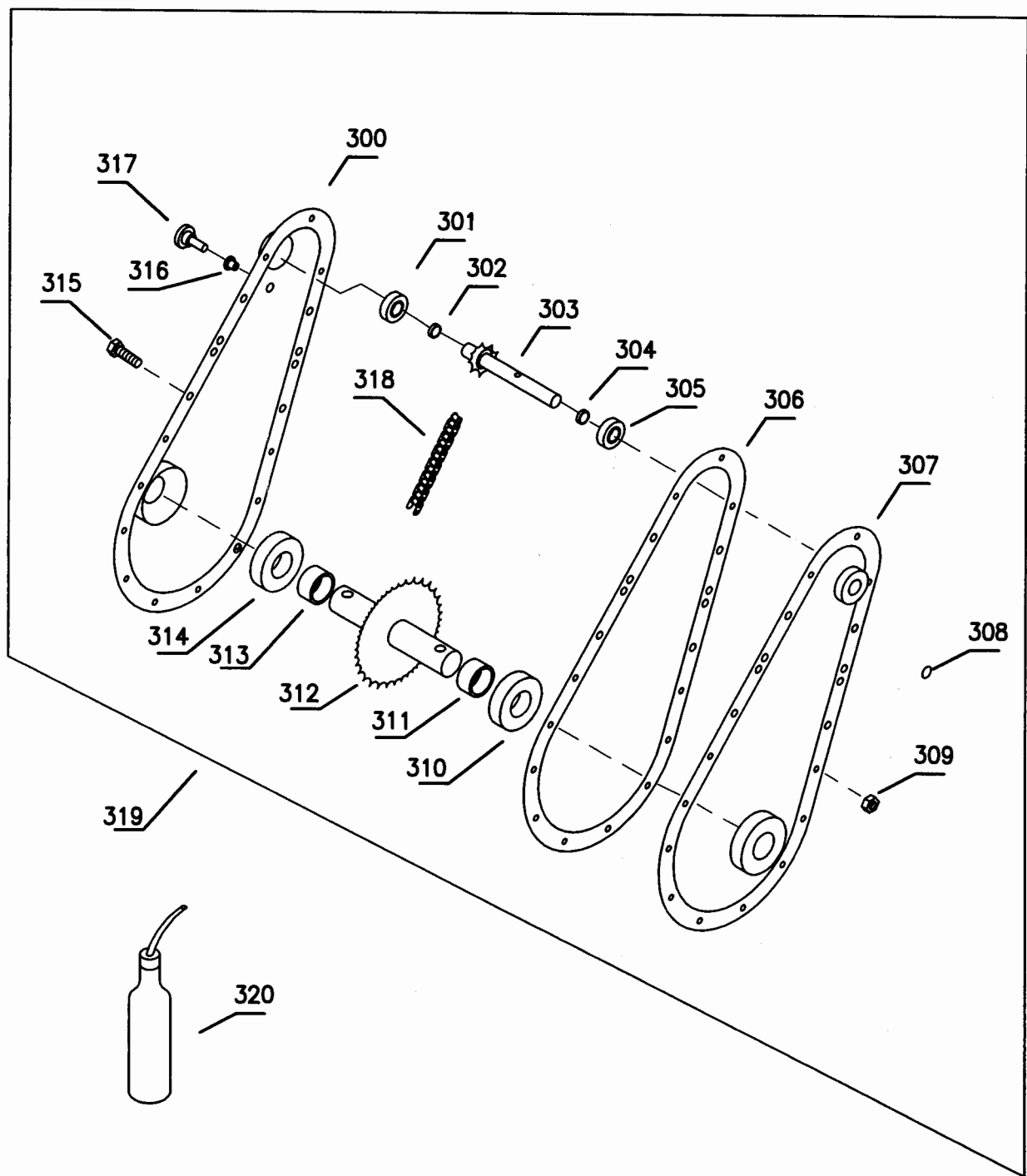
| Illustration B | | Motor / Strammerulle | Motortyp / Spannrolle | Engine / Belt tightener | Moteur / Tendeur de courroie | |
|----------------|----------|-------------------------|--------------------------|----------------------------|---------------------------------|--------------------|
| Nr. | Best.nr. | Stk | Beskrivelse DK | Bezeichnung D | Description GB | Déscription F |
| 001 | 90628459 | 1 | Olieadvar. label | Aufkleber | Warning label | Marque d'attention |
| 002 | 126392 | 1 | Motor 5,5HK B&S | Motor 5.5PS B&S | Motor 5,5 HP B&S | Moteur 5,5 CV B&S |
| 003 | 90122180 | 4 | Møtrik | Mutter | Nut | Ecrou |
| 004 | 90122160 | 4 | Bolt | Schraube | Screw | Vis |
| 005 | 90100662 | 1 | Møtrik | Mutter | Nut | Ecrou |
| 006 | 90102198 | 1 | Låseskive | Scheibe | Washer | Rondelle |
| 007 | 90100662 | 1 | Møtrik | Mutter | Nut | Ecrou |
| 008 | 90102921 | 1 | Bolt | Schraube | Screw | Vis |
| 009 | 30000050 | 1 | Fjeder | Feder | Spring | Ressort |
| 010 | 90100283 | 2 | Pinolskrue | Schraube | Screw | Vis |
| 011 | 90102060 | 1 | Pasfeder | Passfeder | Groove | Clavette |
| 012 | 30000056 | 1 | Motorremskive | Keilreim scheibe | Pulley, engine | Poulie, moteur |
| 013 | 90102747 | 1 | Bolt | Schraube | Screw | Vis |
| 014 | 90102198 | 1 | Låseskive | Scheibe | Washer | Rondelle |
| 015 | 90100662 | 1 | Møtrik | Mutter | Nut | Ecrou |
| 016 | 90102744 | 1 | Bolt | Schraube | Screw | Vis |
| 017 | 30000046 | 1 | Bøsning | Buchse | Bushing | Entretoise |
| 018 | 90120050 | 1 | Skive | Scheibe | Washer | Rondelle |
| 019 | 90122180 | 1 | Låsemøtrik | Mutter | Nut | Ecrou |
| 020 | 90100693 | 1 | Låsemøtrik | Mutter | Nut | Ecrou |
| 021 | 30000044 | 1 | Fremarm | Konsole | Consol | Console |
| 022 | 30000007 | 1 | Bøsning | Buchse | Bushing | Entretoise |
| 023 | 90307745 | 1 | Strammerulle | Spannrolle | Idle pulley | Tend.de corourroie |
| 024 | 90102773 | 1 | Bolt | Schraube | Screw | Vis |
| 025 | 90103890 | 2 | Bolt | Schraube | Screw | Vis |
| 026 | 90102198 | 2 | Låseskive | Scheibe | Washer | Rondelle |
| 027 | 30000040 | 1 | Bagskærm | Abdeckung3 | Rear metalsheet | Console |
| 028 | 90100692 | 1 | Møtrik | Mutter | Nut | Ecrou |
| 029 | 30000042 | 1 | Bakarm | Zurück arm | Reverse arm | Console |
| 030 | 30000062 | 1 | Bøsning | Buchse | Bushing | Entretoise |
| 031 | 90307779 | 1 | Strammerulle | Spannrolle | Idle pulley | Tendeur de cour |
| 032 | 90100270 | 2 | Pinolskruer | Schraube | Screw | Vis |
| 033 | 30000058 | 1 | Bakremskive | Keilriemenscheibe | Pulley | Poulie |
| 034 | 90101263 | 1 | Woodruffkile | Passfeder | Key | Clavette |
| 035 | 90102747 | 1 | Bolt | Schraube | Screw | Vis |
| 036 | 90102744 | 1 | Bolt | Schraube | Screw | Vis |
| 037 | 90120050 | 1 | Skive | Scheibe | Washer | Rondelle |
| 038 | 30000050 | 1 | Fjeder | Feder | Spring | Ressort |
| 039 | 30000046 | 1 | Bøsning | Buchse | Bushing | Entretoise |
| 040 | 90100692 | 1 | Møtrik | Mutter | Nut | Ecrou |



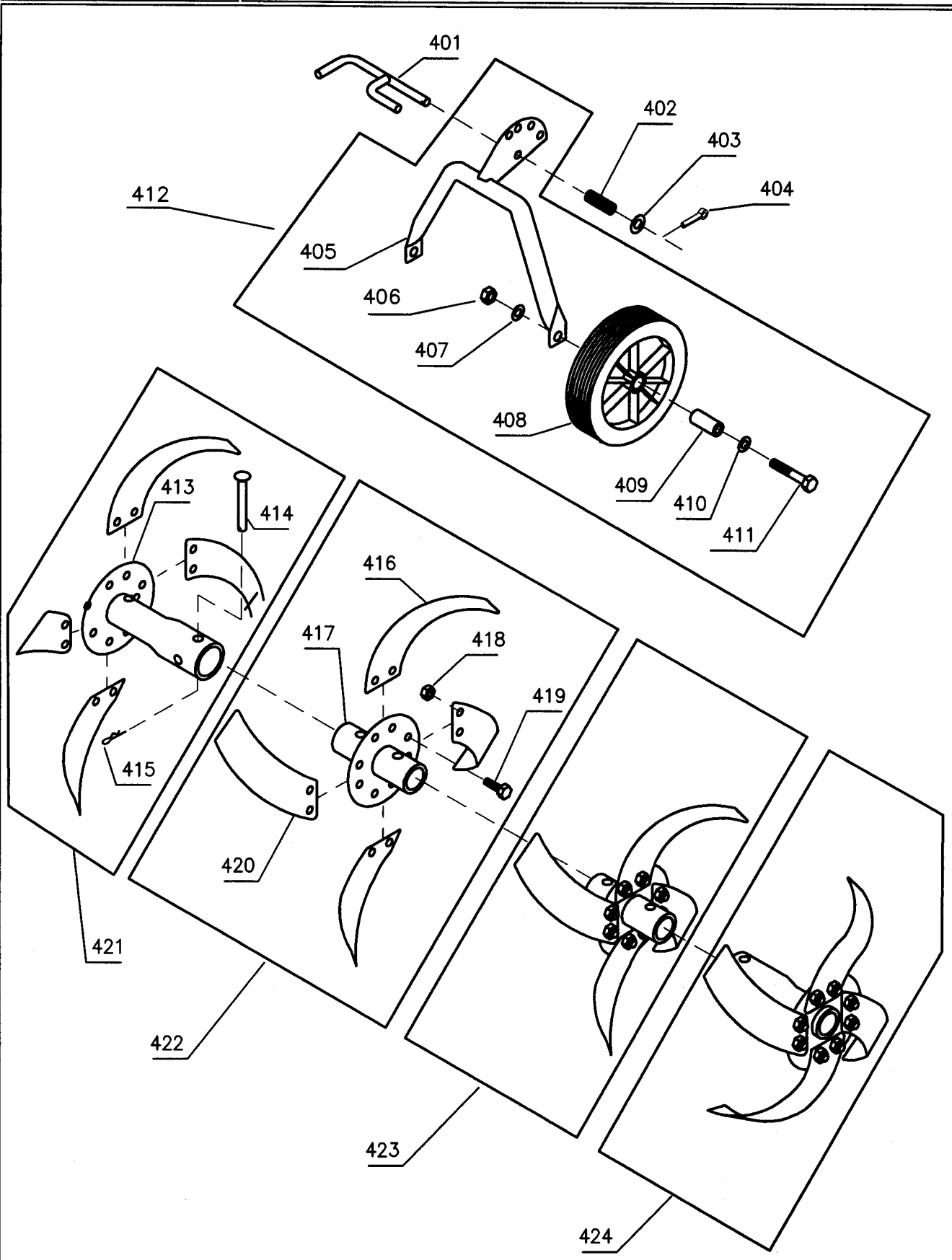
| Illustration F | | Styr | | Lenkholm | Handlebar | Barre gauche |
|----------------|----------|------|-------------------|----------------|------------------|---------------------|
| Nr. | Best.nr. | Stk | Beskrivelse DK | Bezeichnung D | Description GB | Déscripstin F |
| 101 | 90307028 | 1 | Gashåndtag Intek | Gaszug | Throttle Control | Manette á gaz |
| 102 | 90180950 | 2 | Møtrik | Mutter | Nut | Ecrou |
| 103 | 90122321 | 4 | Skrue | Schraube | Screw | Vis |
| 104 | 90001484 | 1 | Beslag | Konsole | Consol | Console |
| 105 | 90122401 | 2 | Bolt | Schraube | Screw | Vis |
| 106 | 90628238 | 1 | Label | Aufkleber | Label | Marque |
| 107 | 90628259 | 1 | Label | Aufkleber | Label | Marque |
| 108 | 90307701 | 1 | Brystplade | Paneel | Front plate | Plastron |
| 109 | 90101846 | 4 | Skrue | Schraube | Screw | Vis |
| 110 | 90102308 | 4 | Skive | Scheibe | Washer | Rondelle |
| 111 | 30000071 | 1 | Styr gul | Lenkholm Gelb | Handle yellow | Poignee jaune |
| | 30000085 | 1 | Styr rød | Lenkholm Rot | Handle red | Poignee rouge |
| 112 | 90307352 | 2 | Skumgreb | Griff | Plast grip | Poignée |
| 113 | 30000068 | 2 | Koblingsgreb | Kupplungsgrif | Clutch handle | Poignée |
| 114 | 90628671 | 2 | Retningsmærke | Richtungsmarke | Direction | Marque de direction |
| 115 | 30000166 | 1 | Håndhjul | Flügelmutte | Wing nut | Ecrou papillon |
| 116 | 90102942 | 1 | Bolt | Schraube | Screw | Vis |
| 117 | 90102311 | 1 | Skive | Scheibe | Washer | Rondelle |
| 118 | 30000054 | 1 | Holder | Konsol | Consol | Console |
| 119 | 90102311 | 1 | Skive | Scheibe | Washer | Rondelle |
| 120 | 30000048 | 1 | Tryk fjeder | Feder | Spring | Ressort |
| 121 | 30000054 | 1 | Holder | Konsol | Consol | Console |
| 122 | 90100122 | 1 | Brædebolt | Schraube | Screw | Vis |
| 123 | 90102891 | 1 | Bolt | Schraube | Screw | Vis |
| 124 | 30000005 | 1 | Bøsning | Buchse | Bushing | Entretoise |
| 125 | 90100691 | 1 | Låsemøtrik | Mutter | Nut | Ecrou |
| 126 | 90122150 | 4 | Bolt | Schraube | Screw | Vis |
| 127 | 90122180 | 4 | Låsemøtrik | Mutter | Nut | Ecrou |
| 128 | 90100693 | 1 | Låsemøtrik | Mutter | Nut | Ecrou |
| 129 | 90102311 | 1 | Skive | Scheibe | Washer | Rondelle |
| 130 | 30000072 | 1 | Konsol gul | Konsol Gelb | Consol yellow | Console jaune |
| | 30000073 | 1 | Konsol rød | Konsol Rot | Consol red | Console rouge |
| 131 | 30000064 | 1 | Bakkabel | Kupplungsseil | Clutch cable | Cable |
| 132 | 30000060 | 1 | Fremkabel | Kupplungsseil | Clutch cable | Cable |
| 133 | 90307712 | 1 | Gasgreb kpl. | Gashebel Kpl. | Throttle cpl. | Manet.te á gaz |
| 134 | 90100691 | 1 | Møtrik | Mutter | Nut | Ecrou |
| 135 | 90307720 | 1 | Plade for gasgreb | Platte | Platte | Plaque |
| 136 | 90122321 | 4 | Skrue | Schraube | Screw | Vis |
| 137 | 90120105 | 1 | Skive | Scheibe | Washer | Rondelle |
| 138 | 90121018 | 1 | Tallerkenskive | Scheibe | Washer | Rondelle |
| 139 | 90307719 | 1 | Gasgreb | Gashebel | Throttle control | Manette á gaz |
| 140 | 90307718 | 1 | Skive for gasgreb | Scheibe | Washer | Rondelle |
| 141 | 90102728 | 1 | Bolt | Schraube | Screw | Vis |
| 142 | 90307009 | 1 | Gaskabel | Gaszug | Throttle | Manette á gaz |



| Illustration H | | Remskive | | Keilriemenscheibe | Pulley | Poulie |
|----------------|----------|----------|------------------|-------------------|-----------------|--------------------|
| Nr. | Best.nr. | Stk | Beskrivelse DK | Bezeichnung D | Description GB | Déscription F |
| 201 | 90100661 | 1 | Møtrik | Mutter | Nut | Ecrou |
| 202 | 90000058 | 1 | Splitbolt | Steckbolzen | Cotter bolt | Boulon à goupille |
| 203 | 90001269 | 1 | Jordspyd | Bremssporn | Depth skid | Chevetre |
| 204 | 90102730 | 1 | Bolt | Schraube | Screw | Vis |
| 205 | 90000057 | 1 | Split | Federsplint | Cotter pin | Goupille |
| 206 | 90104492 | 1 | Rørstift | Spannstift | Pin | Vis de serrage |
| 207 | 30000052 | 1 | Remskive | Keilriemenscheibe | Pulley | Poulie |
| 208 | 90301039 | 1 | Kilerem | Keilriemen | Belt | Courroie |
| 209 | 90122180 | 6 | Møtrik | Mutter | Nut | Ecrou |
| 210 | 30000175 | 1 | Vange H gul | Rahmen R Gelb | Member R yellow | Partie D jaune |
| | 30000176 | 1 | Vange H rød | Rahmen R Rot | Member R red | Partie D rouge |
| 211 | 30000004 | 2 | Bøsning | Buchse | Bushing | Entretoise |
| 212 | 30000173 | 1 | Vange V gul | Rahmen L Gelb | Member L yellow | Partie G jaune |
| | 30000174 | 1 | Vange V rød | Rahmen L Rot | Member L red | Partie G rouge |
| 213 | 90122160 | 6 | Bolt | Schraube | Screw | Vis |
| 214 | 30000080 | 1 | Sideskærm | Keilreimen schutz | Prot. Sheet | Pla. de prot. |
| 215 | 90628155 | 1 | Logo | Aufkleber | Label | Marque |
| 216 | 90101846 | 3 | Skrue | Schraube | Screw | Vis |
| 217 | 90122401 | 3 | Skrue | Schraube | Screw | Vis |
| 218 | 90307733 | 1 | Yderskærm H | Schutzdach R | Outer Sheet R | Plaque de prot D |
| 219 | 90180950 | 3 | Møtrik | Mutter | Nut | Ecrou |
| 220 | 90001265 | 1 | Knivskærm gul | Schutzdach gelp | Sheet yellow | Plaque jaune |
| | 90001183 | 1 | Knivskærm rød | Schutzdach rot | Sheet red | Plaque rouge |
| 221 | 90122150 | 2 | Bolt | Schraube | Screw | Vis |
| 222 | 90122618 | 1 | Torx nøgle | Torx Schüssel | Torx key | Clef à vis |
| 223 | 90122401 | 3 | Bolt | Schraube | Screw | Vis |
| 224 | 90307734 | 1 | Yderskærm V | Schutzdach L | Outer Sheet L | Plaque de prot G |
| 225 | 90180950 | 3 | Møtrik | Mutter | Nut | Ecrou |
| 226 | 90122180 | 2 | Møtrik | Mutter | Nut | Ecrou |
| 227 | 90628569 | 1 | Advarselstrekant | Warndreiech | Warning mark | Marque d'attention |
| 228 | 90628569 | 1 | Advarselstrekant | Warndreiech | Warning mark | Marque d'attention |
| 229 | 30000006 | 8 | Bøsning | Buchse | Bushing | Entretoise |
| 230 | 90300200 | 1 | Bakrem | Keilriemen rückw. | Belt reverse | Courroie |



| Illustration I | | Kædekasse | | Getriebe | Chain case | Cater de trans- mission |
|----------------|----------|-----------|--------------------|--------------------|--------------------|----------------------------|
| Nr. | Best.nr. | Stk | Beskrivelse DK | Bezeichnung D | Description GB | Déscription F |
| 300 | 30000015 | 1 | Højre halvdel | Deckel rechts | Case right | Partie droite |
| 301 | 90200222 | 1 | Kugleleje | Kugellager | Ball bearing | Roule. à billes |
| 302 | 30000023 | 1 | Bøsning | Buchse | Bushing | Entretoise |
| 303 | 30000022 | 1 | Indgangsaksel | Eingangswelle | Shaft inner | Axe |
| 304 | 30000023 | 1 | Bøsning | Buchse | Bushing | Entretoise |
| 305 | 90200222 | 1 | Kugleleje | Kugellager | Ball bearing | Roule. à billes |
| 306 | 30000024 | 1 | Pakning | Dichtung | Gasket | Joint de carter |
| 307 | 30000013 | 1 | Venstre halvdel | Deckel links | Case left | Partie gauche |
| 308 | 90102309 | 2 | Skive | Scheibe | Washer | Rondelle |
| 309 | 90122178 | 16 | Låsemøtrik | Mutter | Nut | Ecrou |
| 310 | 90200550 | 1 | Kugleleje | Kugellager | Ball bearing | Roule. à billes |
| 311 | 30000029 | 1 | Bøsning | Buchse | Bushing | Entretoise |
| 312 | 30000028 | 1 | Udgangsaksel | Ausgangswelle | Shaft outer | Axe |
| 313 | 30000029 | 1 | Bøsning | Buchse | Bushing | Entretoise |
| 314 | 90200550 | 1 | Kugleleje | Kugellager | Ball bearing | Roule. à billes |
| 315 | 90122130 | 16 | Bolt | Schraube | Screw | Vis |
| 316 | 90000324 | 1 | Bøsning | Buchse | Bushing | Entretoise |
| 317 | 90000323 | 1 | Olieprop | Plastikstopfen | Plut | Cheville |
| 318 | 30000030 | 1 | Kæde | Kette | Chain | Chaîne |
| 319 | 30000008 | 1 | Kpl. Kædekasse | Kettenkasten Kpl. | Chaîne Cpl. | Cater Cpl. |
| 320 | 90306500 | 1 | Multifak EP00 0,5l | Multifak EP00 0,5l | Multifak EP00 0,5l | Multifak EP00 0,5l |



| Illustration J | | Transporthjul Fræserknive | | Transport Rad Hacksatz | Transport wheel Set of rotors | Roue de support Jeu cpl. de fraises |
|----------------|----------|------------------------------|------------------|---------------------------|----------------------------------|--|
| Nr. | Best nr. | Stk | Beskrivelse DK | Bezeichnung D | Description GB | Description F |
| 401 | 90001151 | 1 | Lås | Arretierung | Lock | Une broche |
| 402 | 90001153 | 1 | Fjeder | Feder | Spring | Ressort |
| 403 | 90102311 | 1 | Skive | Scheibe | Washer | Rondelle |
| 404 | 90102418 | 1 | Split | Federsticker | Pin | Goupille |
| 405 | 30000076 | 1 | Hjulbøjle | Radgabel | Fork | Rouage |
| 406 | 90100663 | 2 | Møtrik | Mutter | Nut | Ecrou |
| 407 | 90102199 | 2 | Skive | Scheibe | Washer | Rondelle |
| 408 | 90304210 | 2 | Hjul | Rad | Wheel | Roue de support |
| 409 | 90001142 | 2 | Bøsning | Buchse | Bushing | Entretoise |
| 410 | 90102311 | 2 | Skive | Scheibe | Washer | Rondelle |
| 411 | 90102946 | 2 | Bolt | Schraube | Screw | Vis |
| 412 | 90001170 | 1 | Hjulbøjle kpl. | Radgabel Kpl. | Fork Cpl. | Roue de sup. Cpl. |
| 413 | 90000012 | 2 | Yderknivrør | Messerohr Aus. | Tube outer | Tupe extérieur |
| 414 | 90000007 | 4 | Splitbolt | Steckbolzen | Cotter bolt | Goupille |
| 415 | 90000057 | 4 | Split | Federstecken | Cotter pin | Goupille |
| 416 | 90000215 | 8 | Knivblad V | Messer L | Blade L | Couteau G |
| 417 | 90000601 | 2 | Inderknivrør | Messerohr inn, | Tube inner | Tupe intérieur |
| 418 | 90100721 | 32 | Møtrik | Mutter | Nut | Ecrou |
| 419 | 90103908 | 32 | Bolt | Schraube | Screw | Vis |
| 420 | 90000214 | 8 | Knivblad H | Messer R | Blade R | Couteau D |
| 421 | 90000094 | 1 | Yderkniv H kpl. | Hackstern R Kpl. | Knives R Cpl. | Fraises D Cpl. |
| 422 | 90000716 | 1 | Inderkniv H Kpl. | Hackstern R Kpl. | Knives R Cpl. | Fraises D Cpl. |
| 423 | 90000717 | 1 | Inderkniv V kpl. | Hackstern L Kpl. | Knives L Cpl. | Fraises G Cpl. |
| 424 | 90000093 | 1 | Yderkniv V kpl. | Hackstern L Kpl. | Knives L Cpl. | Fraises G Cpl. |