

POS	QTY	PARTNUMBER	BESKRIVELSE	DESCRIPTION
2	1	TG370	POWERLINE TG370	POWERLINE ENGINE TG370
3	3	90122160	FLANGEBOLT 8.8 M8X40 FZ	COLLAR BOLT M8X40 FZ
4	3	90122180	FLANGEMØTRIK M8 FZ	COLLAR NUT M8 FZ
5	3	90120050	PLANSKIVE M24X8.4X2 FZ	FACE PLATE M24X8.4X2 FZ
6	1	90102747	SÆTBOLT 8.8 M8X35 FZ	SET BOLT M8X35 FZ
7	1	90102310	PLANSKIVE M8 FZ	FACE PLATE M8 FZ
8	1	90122180	FLANGEMØTRIK M8 FZ	COLLAR NUT M8 FZ
9	2	90122180	FLANGEMØTRIK M8 FZ	COLLAR NUT M8 FZ
10	1	90240025	CHASSIS HOBBY	CHASSIS
11	2	90240028	STÅLBOLT 8.8 M8X250	STEEL BOLT M8X250
12	1	90240031	CHASSISBØJLE - SORT	LOWER HANDLEBAR BLACK
13	2	90122180	FLANGEMØTRIK M8 FZ	COLLAR NUT M8 FZ
14	2	90122160	FLANGEBOLT 8.8 M8X40 FZ	COLLAR BOLT M8X40 FZ
15	1	90240041	UNDERSKÆRM GUL	BOTTOM GUARD
16	2	90122113	TAPTITE M6X12	TAPTITE
17	1	90628590	TEXAS LABEL TIL HOBBY	LABEL
18	4	90122113	TAPTITE M6X12	TAPTITE
19	1	90308725	RIBREM PJ414-5	RIB BELT PJ414-5
20	1	90240042	MOTORREMSKIVE PJ40-5-7/8"	BELT PULLEY
21	2	90102726	SÆTBOLT 8.8 M6X16 FZ	SET BOLT M6X16 FZ
22	1	90240052	REMSTYR HOBBY	BELT GUIDE
23	2	90100691	LÅSEMØTRIK 8.8 M6 FZ	LOCKING NUT M6 FZ
24	2	90100283	PINOLSKRUE 12.9 8X8 MSP	TAILSTOCK SCREW 8X8 MSP
25	1	90102917	STÅLBOLT 8.8 M8X50	STEEL BOLT M8X50
26	1	90102310	PLANSKIVE M8 FZ	FACE PLATE M8 FZ
27	1	90240048	FJEDER STR. HOBBY	SPRING
28	1	90100692	LÅSEMØTRIK 8.8 M8 FZ	LOCKING NUT M8 FZ
29	1	90240016	STR.RULLEARM HOBBY	BELT TIGHT. ARM
30	1	30000062	BØS FOR STRAMMERULLE	BUSHING
31	1	90307779	STRAMMERULLE Ø30 MED LEJE	TENSION ROLL Ø30 MED LEJE
32	1	90102746	SÆTBOLT 8.8 M8X30 FZ	SET BOLT M8X30 FZ
33	1	90122180	FLANGEMØTRIK M8 FZ	COLLAR NUT M8 FZ
34	1	90120050	PLANSKIVE M24X8.4X2 FZ	FACE PLATE M24X8.4X2 FZ
35	1	90240018	BØSNING FOR STR.ARM	BUSHING

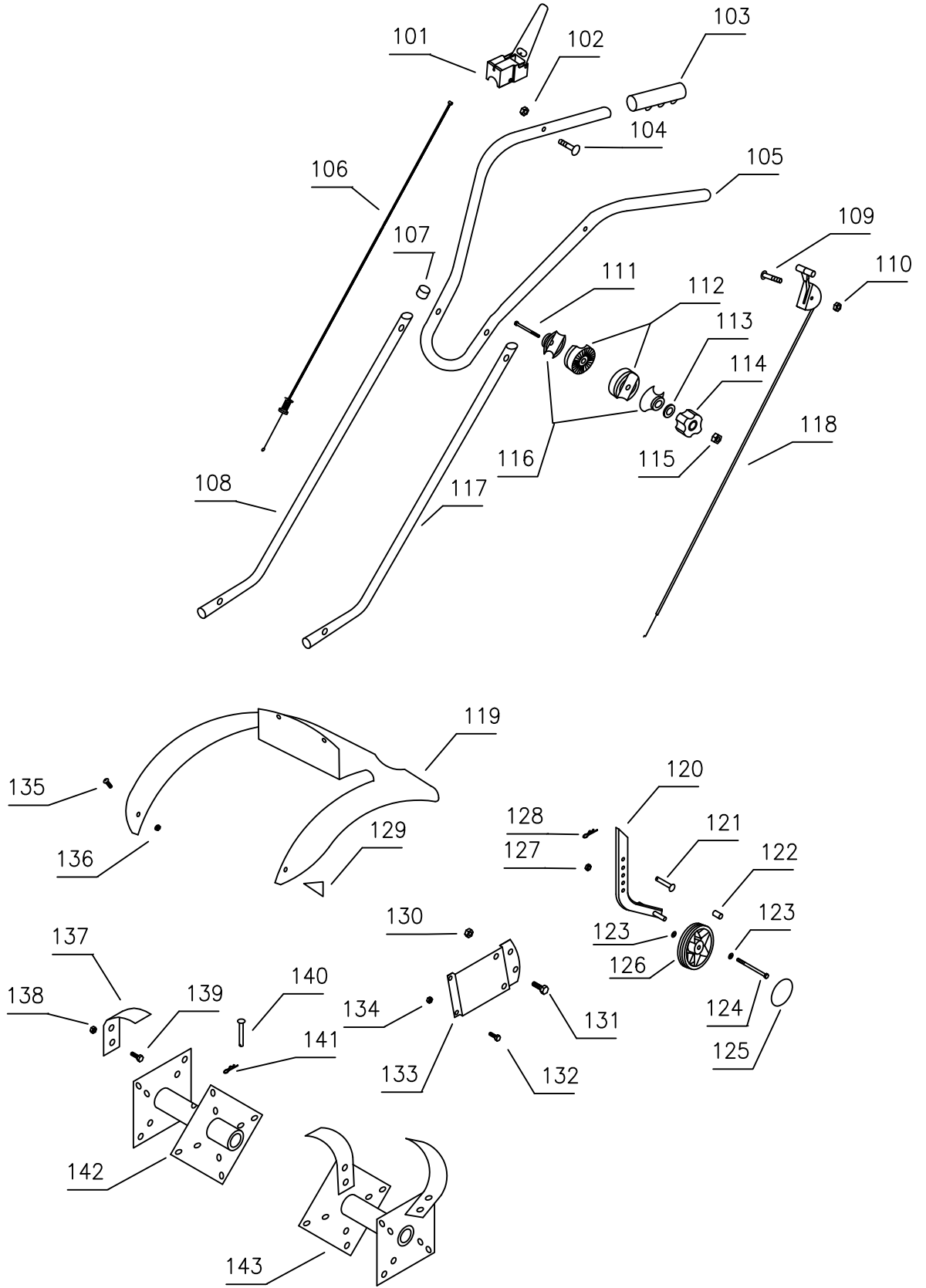
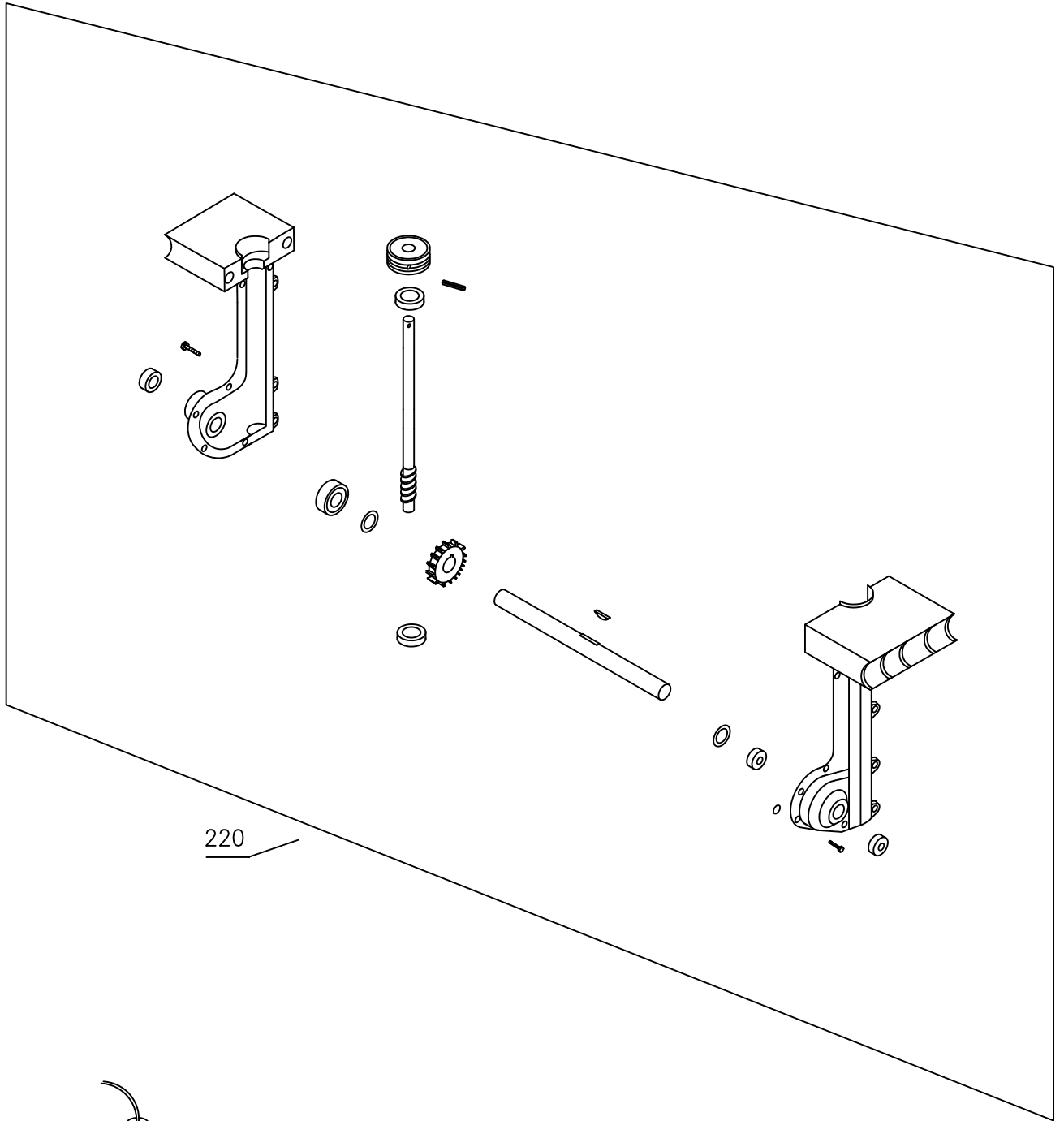
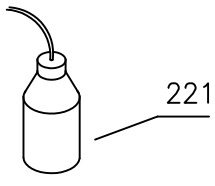


Illustration B		Styr	Lenkholm	Handlebar	Poignée	
		Fræserknive	Hacksatz	Set of rotors	Jeu cpl.de fraises	
Nr.	Best nr.	Stk	Beskrivelse DK	Bezeichnung D	Description GB	Déscription F
101	90227552	1	Koblingsgreb	Kupplungsgrif	Clutch handle	Poignée
102	90100691	1	Møtrik	Mutter	Nut	Ecrou
103	90307352	2	Plasthåndtag	Griff	Plast griff	Poignée
104	90100235	1	Bolt	Schraube	Screw	Vis
105	90240033	1	Overstyr	Lenkholm	Handle	Poignée
106	90240058	1	Koblingskabel	Kupplungsseil	Clutch cable	Cable
107	90307715	2	Plastprop	Stropfen	Plug	Tampon
108	90240091	1	Understyrør H	Lenkrohr R	Handlebar R	Poignee R
109	90100076	1	Bolt	Schraube	Screw	Vis
110	90100691	1	Møtrik	Mutter	Nut	Ecrou
111	90102927	2	Bolt	Schraube,	Screw	Vis
112	90307956	4	Plastklods	Plast Halterung	Plast bracket	Support en plastic
113	90102310	2	Skive	Scheibe	Washer	Rondelle
114	90307948	2	Håndhjul	Plast Griff	Plast handle	Poigné plastic
115	90100662	2	Møtrik	Mutter	Nut	Ecrou
116	90307954	4	plastklods	Plast Halterung	Plast bracket	Support en plastic
117	90240092	1	Understyrør V	Lenkrohr L	Handlebar L	Poignee L
118	90240060	1	Gaskabel	Gaszug	Throttle control	Manette á gaz
119	90240035	1	Knivskærm gul	Schuzdach Gelb	Sheet yellow	Plaque jaune
	90240026	1	Knivskærm rød	Schuzdach Rot	Sheet Red	Plaque rouge
	90240015	1	Knivskærm orange	Schuzdach. orange	Sheet orange	Plaque orange
120	90240096	1	Jordspyd/hjul	Bremssporn	Depth skid/sup.wh.	Roue de support
121	90220018	2	Splitbolt	Bolzen	Cotter bolt	Boulon goupille
122	90240036	2	Bøsning	Buchse	Bushing	Entretoise
123	90102310	4	Skive	Scheibe	Washer	Rondelle
124	90102927	1	Bolt	Schraube	Screw	Vis
125	90304161	2	Plastskive	Plast Scheibe	Plast washer	Plast rondelle
126	90304160	2	Støttehjul Ø130	Stützrad Ø130	Support wheel Ø130	Roue de support Ø130
126	90304159	2	Støttehjul Ø135	Stützrad Ø135	Support Wheel Ø135	Roue de support Ø135
127	90122180	1	Møtrik	Mutter	Nut	Ecrou
128	90000057	1	Split	Federstecker	Cotter pin	Coupille
129	90628569	2	Advarsels label	Aufkleber	Møtrik	Møtrik
130	90122180	2	Møtrik	Mutter	Nut	Ecrou
131	90122150	2	Bolt	Schraube	Screw	Vis
132	90100232	2	Bolt	Schraube	Screw	Vis
133	90240013	2	Bagkonsol	Hintere Console	Rearconsole	Console
134	90122178	2	Møtrik	Mutter	Nut	Ecrou
135	90122401	2	Bolt	Schraube	Screw	Vis
136	90180950	2	Møtrik	Mutter	Nut	Ecrou
137	90240045	16	Knivblad	Messer	Blade	Couteau
138	90100732	32	Møtrik	Mutter	Nut	Ecrou
139	90103888	32	Bolt	Schraube	Screw	Vis
140	90240050	2	Splitbolt	Steckbolzen	Cotter pin	Goupille
141	90000057	2	Split	Federstecken	Cotter pin	Goupille
142	90240020	2	Knivør	Messerohr	Tube	Tube
143	90240023	2	Kniv komplet	Hackstern Kpl.	Knives Cpl.	Fraises Cpl.



220



221

Illustration C		Transmission				
Nr.	Best.nr.	Stk	Beskrivelse DK	Bezeichnung D	Description GB	Déscription F
220	90240000	1	Komplet gear	Getriebe KPL.	Worm gear CPL..	Transmission CPL..
221	90306500	1	Multifak EP O 0,5L	Multifak EP O 0,5L	Multifak EP O 0,5L	Multifak EP O 0,5L
<b>Model Hobby 300</b>						<b>2004</b>