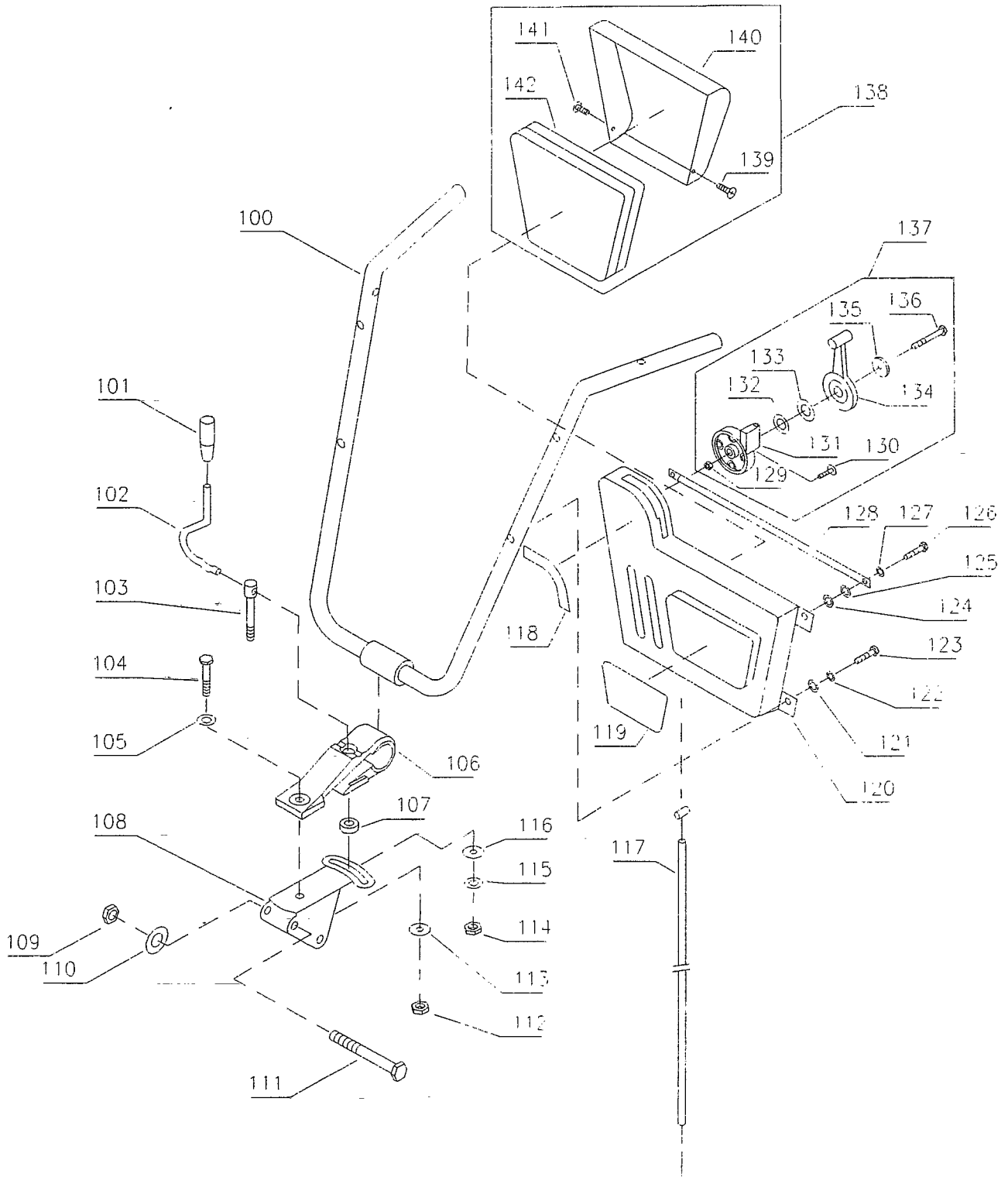
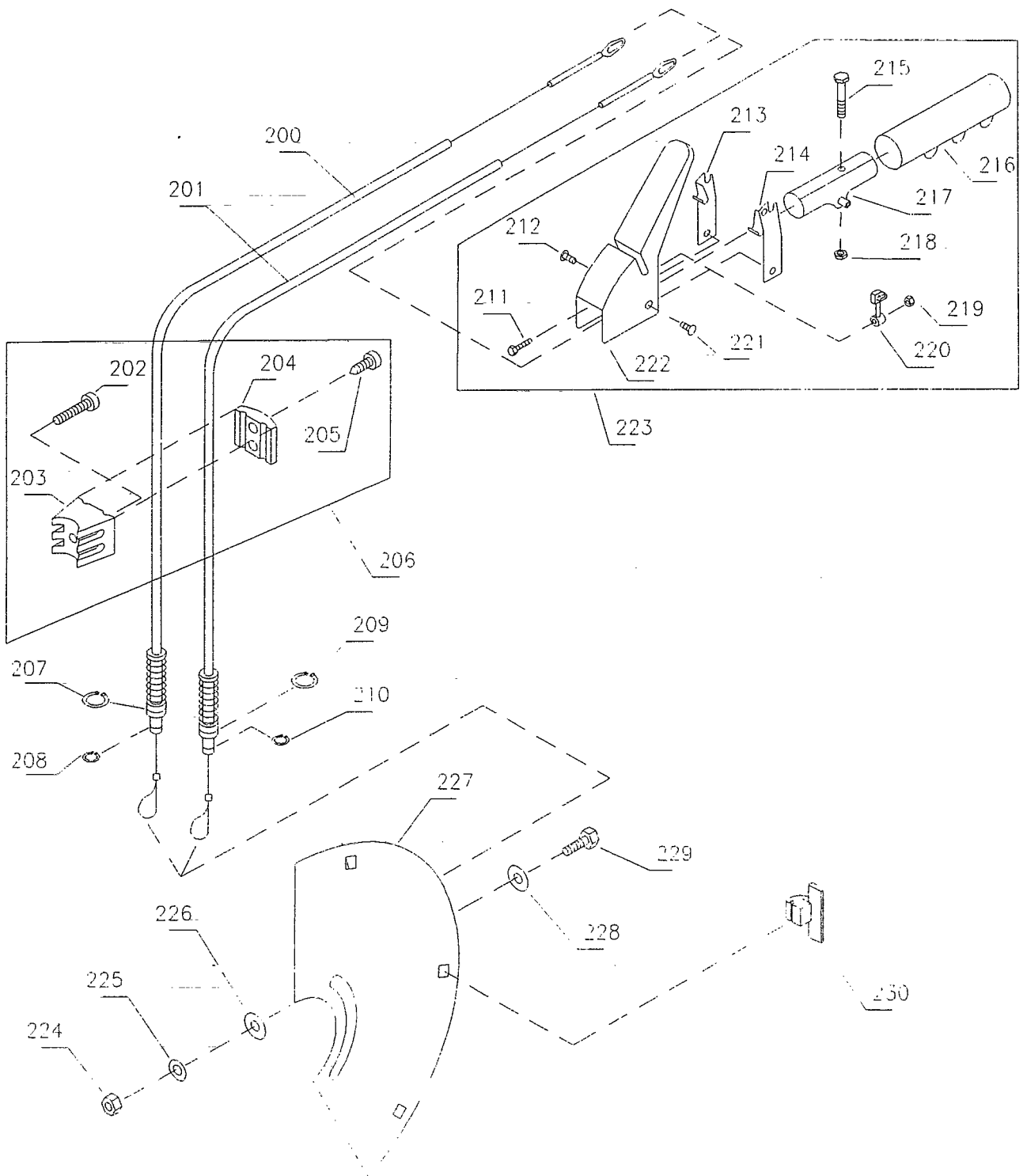


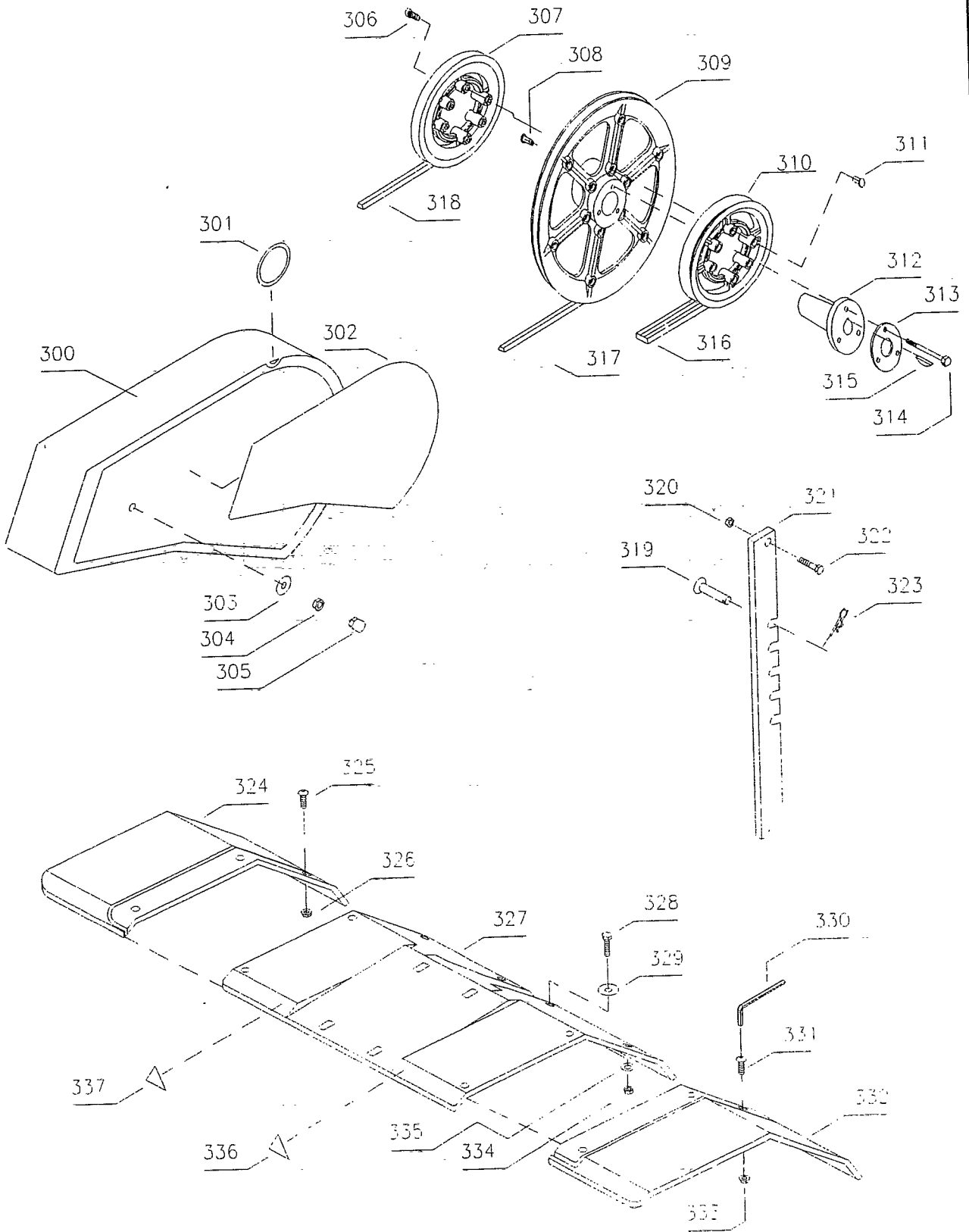
| Illustration B |             | Motor / Strammerulle |                    | Motor / Spannrolle | Engine / Belt tightener | Moteur / Tendeur de courroie |
|----------------|-------------|----------------------|--------------------|--------------------|-------------------------|------------------------------|
| Nr.            | Best.nr.    | Stk                  | Beskrivelse DK     | Bezeichnung D      | Description GB          | Description F                |
| 001            | 90102916    | 4                    | Stålbolt           | Scharube           | Screw                   | Vis                          |
| 002            | 90102310    | 4                    | Planskive          | Planscheibe        | Washer                  | Rondelle                     |
| 003            | 90102198    | 4                    | Låseskive          | Federscheibe       | Lock washer             | Rondelle frein               |
| 004            | 90100662    | 4                    | Stålmøtrik         | Mutter             | Nut                     | Ecrou                        |
| 005            | 135292      | 1                    | Motor 5 HK B&S     | Motor 5 PS B&S     | Engine 5 HP B&S         | Moteur 5 CV B&S              |
|                | FA210AFS51  | 1                    | Motor 5 HK Kawa    | Motor 5 PS Kawa    | Engine 5 HP Kawa        | Moteur 5 CV Kawa             |
| 006            | 90628459    | 1                    | Olieadvar. label   | Aufkleber          | Warning label           | Moteur marque                |
| 007            | 90122614    | 1                    | Tændrørnsn. B&S    | Kertzensch. B&S    | Spark. plug B&S         | Clef d.bougie,B&S            |
|                | 90122610    | 1                    | Tændrørnsn. Kawa   | Kertzensch. Kawa   | Spark. plug Kawa        | Clef d.bougie,Kawa           |
| 008            | 91133000100 | 1                    | Motorhjeml kpl.    | Motorhaube kpl.    | Engine hood cpl.        | Plaq. de protec. cpl         |
| 009            | 90307706    | 1                    | Motorhjeml         | Motorhaube         | Engine hood             | Plaq. de protection          |
| 010            | 90307737    | 1                    | Plastmøtrik        | Mutter             | Wing nut                | Ecrou                        |
| 011            | 90000110    | 1                    | Beslag for hjeml   | Halter             | Console                 | Console                      |
| 012            | 90102310    | 1                    | Planskive          | Planscheibe        | Washer                  | Rondelle                     |
| 013            | 90122117    | 1                    | Taptite skrue      | Schraube           | Taptite                 | Vis                          |
| 014            | 90000772    | 1                    | Udstødningsgitter  | Auspuffschutz      | Protection Sheet        | Ecrou Protecteur             |
| 015            | 90118700    | 1                    | Maskinskrue        | Schraube           | Screw                   | Vis                          |
| 016            | 90001238    | 1                    | Afstandsboes       | Buchse             | Bushing                 | Entretoise                   |
| 017            | 90000306    | 1                    | Strammerulle, bak  | Spanrolle rückw.   | Idle pulley rev.        | Tendeur de cour.             |
| 018            | 90100663    | 1                    | Stålmøtrik         | Mutter             | Nut                     | Ecrou                        |
| 019            | 90001239    | 1                    | Fjeder for bakarm  | Feder              | Spring                  | Ressort                      |
| 020            | 90100270    | 2                    | Pinolskrue         | Schraube           | Allen screw             | Vis                          |
| 021            | 90000445    | 1                    | Bakremskive        | Keilriemenscheibe  | Pully reverse           | Poulie réciproque            |
| 022            | 90101263    | 1                    | Woodruffkile       | Passfeder          | Key                     | Clavette                     |
| 023            | 90307747    | 1                    | Dølle, hundel      | Halter, aussen     | Guide, outside          | Comm.,outside                |
| 024            | 90102060    | 1                    | Feder              | Passfeder          | Key                     | Clavette                     |
| 025            | 90000485    | 1                    | Afstandsboes       | Buchse             | Bushing                 | Entretoise                   |
| 026            | 90000486    | 1                    | Remskive           | Keilriemenscheibe  | Pully                   | Poulie                       |
| 027            | 90000481    | 1                    | Remskive           | Keilriemenscheibe  | Pully                   | Poulie                       |
| 028            | 90000482    | 1                    | Skive              | Scheibe            | Washer                  | Rondelle                     |
| 029            | 90102198    | 1                    | Låseskive          | Federscheibe       | Lock washer             | Rondelle frein               |
| 030            | 90103894    | 1                    | Stålbolt B&S       | Schraube B&S       | Screw B&S               | Vis B&S                      |
|                | 90102915    | 1                    | Stålbolt Kawa      | Schraube Kawa      | Screw Kawa              | Vis Kawa                     |
| 031            | 90100068    | 1                    | Bræddebolt         | Schraube           | Screw                   | Vis                          |
| 032            | 90000091    | 1                    | Beslag for skærm   | Konsole            | Cons.f.prot. sheet      | Console                      |
| 033            | 90102310    | 1                    | Planskive          | Planscheibe        | Washer                  | Rondelle                     |
| 034            | 90102195    | 1                    | Låseskive          | Federscheibe       | Lockwasher              | Rondelle frein               |
| 035            | 90100661    | 1                    | Stålmøtrik         | Mutter             | Nut                     | Ecrou                        |
| 036            | 90102310    | 1                    | Planskive          | Planscheibe        | Washer                  | Rondelle                     |
| 037            | 90102198    | 1                    | Låseskive          | Federscheibe       | Lockwasher              | Rondelle frein               |
| 038            | 90102741    | 1                    | Stålbolt           | Schraube           | Screw                   | Vis                          |
| 039            | 90102945    | 1                    | Stålbolt           | Schraube           | Screw                   | Vis                          |
| 040            | 90307746    | 1                    | Smal strammerulle  | Spanrolle          | Idle pulley             | Tendeur de cour              |
| 041            | 90001528    | 1                    | Afstandsboes       | Buchse             | Bushing                 | Entretoise                   |
| 042            | 90307745    | 1                    | Bred strammerulle  | Spanrolle          | Idle pulley             | Tendeur de cour              |
| 043            | 90001530    | 1                    | Afstandsboes       | Buchse             | Bushing                 | Entretoise                   |
| 044            | 90001512    | 1                    | Fremarm            | Konsole            | Console                 | Console                      |
| 045            | 90102311    | 1                    | Planskive          | Planscheibe        | Washer                  | Rondelle                     |
| 046            | 90111557    | 1                    | Kontramøtrik       | Kontermutter       | Nut                     | Ecrou                        |
| 047            | 90102486    | 1                    | Seegering          | Sprengring         | Circlips                | Circilp                      |
| 048            | 90120100    | 1                    | Afstandsskive      | Abstandsscheibe    | Washer                  | Rondelle                     |
| 049            | 90001510    | 1                    | Fjeder for fremarm | Feder 90000 1/6 2  | Spring                  | Ressort                      |
| 050            | 90103890    | 2                    | Stålbolt, B&S      | Schraube, B&S      | Screw, B&S              | Vis, B&S                     |
|                | 90102741    | 2                    | Stålbolt, Kawa     | Schraube, Kawa     | Screw, Kawa             | Vis, Kawa                    |
| 051            | 90102198    | 2                    | Låseskive          | Federscheibe       | Lockwasher              | Rondelle frein               |
| 052            | 90000490    | 1                    | Bakplade m. arm    | Platte mit Arm     | Fitting plate, rev.     | Cons de marche               |
| 053            | 90000480    | 1                    | Bakplade komplet   | Platte kpl.        | Fitting plate cpl.      | Cons de mar. cpl.            |



| Illustration C |          | Styr |                   | Lenkholm           | Handlebar            | Barre gauche        |
|----------------|----------|------|-------------------|--------------------|----------------------|---------------------|
| Nr.            | Best.nr. | Stk  | Beskrivelse DK    | Bezeichnung D      | Description GB       | Descriptin F        |
| 100            | 90000901 | 1    | Styr - gul        | Lenkholm - Gelb    | Handlebar,yellow     | Poignee - jaune     |
|                | 90000904 | 1    | Styr - rød        | Lenkholm - Rot     | Handlebar - red      | Poignee - rouge     |
| 101            | 90307351 | 1    | Skumgreb          | Plastgriff         | Grip                 | Poignee             |
| 102            | 90000090 | 1    | Låsegreb          | Hebel              | Level                | Gros levier         |
| 103            | 90001212 | 1    | Bolt for greb     | Schraube für Griff | Screw for level      | Vis                 |
| 104            | 90102942 | 1    | Stålbolt          | Schraube           | Screw                | Vis                 |
| 105            | 90102311 | 1    | Planskive         | Planscheibe        | Washer               | Rondelle            |
| 106            | 90000906 | 1    | Styrholder - gul  | Holmhalter -Gelb   | Handle - yellow      | Poignee - jaune     |
|                | 90000909 | 1    | Styrholder - rød  | Holmhalter - Rot   | Handle - red         | Poignee - rouge     |
| 107            | 90328100 | 1    | Styr for bolt     | Plastiksteuer      | Plastic for bolt     | Plaque á vis        |
| 108            | 90000916 | 1    | Styrholder - gul  | Holmhalter- Gelb   | Bracket - yellow     | Poignee - jaune     |
|                | 90000919 | 1    | Styrholder - rød  | Holmhalter - Rot   | Bracket - red        | Poignee - rouge     |
| 109            | 90100663 | 2    | Låsemøtrik        | Mutter             | Nut                  | Ecrou               |
| 110            | 90102199 | 2    | Låseskive         | Federscheibe       | Lock washer          | Rondelle frein      |
| 111            | 90102946 | 2    | Stålbolt          | Schraube           | Screw                | Vis                 |
| 112            | 90100693 | 1    | Låsemøtrik        | Federscheibe       | Lock washer          | Rondelle frein      |
| 113            | 90120059 | 1    | Planskive         | Planscheibe        | Washer               | Rondelle            |
| 114            | 90100694 | 1    | Låsemøtrik        | Mutter             | Nut                  | Ecrou               |
| 115            | 90121012 | 1    | Tallerkenskive    | Scheibe            | Washer               | Rondelle            |
| 116            | 90120075 | 1    | Facetskive        | Scheibe            | Washer               | Rondelle            |
| 117            | 90307015 | 1    | Gaskabel          | Gaszug             | Throttle cabel       | Etrangl. du gaz     |
| 118            | 90628238 | 1    | Label             | Aufkleber für Gas. | Label                | Marque á gaz        |
| 119            | 90628258 | 1    | TEXAS label       | Aufkleber-Paneel   | Label for plate      | Marque á Plast.     |
| 120            | 90307701 | 1    | Brystplade        | Paneel             | Front plate          | Plastron            |
| 121            | 90102309 | 2    | Planskive         | Planscheibe        | Washer               | Rondelle            |
| 122            | 90102195 | 2    | Låseskive         | Federscheibe       | Lock washer          | Rondelle frein      |
| 123            | 90102729 | 2    | Sætskrue          | Schraube           | Screw                | Vis                 |
| 124            | 90102309 | 2    | Planskive         | Planscheibe        | Washer               | Rondelle            |
| 125            | 90102309 | 2    | Planskive         | Planscheibe        | Washer               | Rondelle            |
| 126            | 90102729 | 2    | Sætskrue          | Schraube           | Screw                | Vis                 |
| 127            | 90102195 | 2    | Låseskive         | Federscheibe       | Lock washer          | Rondelle frein      |
| 128            | 90000913 | 1    | Stang for styr    | Achse              | Rod for toolbox      | Barre               |
| 129            | 90100691 | 1    | Låsemøtrik        | Mutter             | Nut                  | Ecrou du blocage    |
| 130            | 90122321 | 4    | Skrue             | Schraube           | Screw                | Vis                 |
| 131            | 90307720 | 1    | Plade for gasgreb | Platte             | Plate for thr. cont. | Plaque              |
| 132            | 90120105 | 1    | Planskive         | Planscheibe        | Washer               | Rondelle            |
| 133            | 90121018 | 1    | Tallerkenskive    | Scheibe            | Washer               | Rondelle            |
| 134            | 90307719 | 1    | Gasgreb           | Gashebel           | Throttle control     | Manette á gaz       |
| 135            | 90307718 | 1    | Skive for gasgreb | Scheibe - plastik  | Plastik washer       | Rondelle plastic    |
| 136            | 90102728 | 1    | Sætskrue          | Schraube           | Screw                | Vis                 |
| 137            | 90307712 | 1    | Gasgreb kpl.      | Gashebel Kpl.      | Throttle contr. cpl. | Manet. á gaz cpl.   |
| 138            | 90307721 | 1    | Værktøjskas. kpl. | Werkzeugsk. Kpl.   | Toolbox cpl.         | Coff. á outils cpl. |
| 139            | 90122319 | 1    | PH-Plastite       | Schraube           | Screw                | Vis                 |
| 140            | 90307702 | 1    | Værktøjskasse     | Werkzeugskasten    | Toolbox              | Coffre á outils     |
| 141            | 90122319 | 1    | PH-Plastite       | Schraube           | Screw                | Vis                 |
| 142            | 90307723 | 1    | Skum for kasse    | Einlage für Werkz  | Foam for toolbox     | Piece               |



| Illustration D |          | Koblingsgreb |                    | Kupplungsgriff     | Clutch handle      | Poignee d'em-<br>brayage |
|----------------|----------|--------------|--------------------|--------------------|--------------------|--------------------------|
| Nr.            | Best.nr. | Stk          | Beskrivelse DK     | Bezeichnung D      | Description GB     | Description F            |
| 200            | 90000520 | 1            | Bakkabel           | Kupplungsseil RÜ   | Clutch cable, rev. | Cable d'embray           |
| 201            | 90000515 | 1            | Fremkabel          | Kupplungsseil VO   | Clutch cable, for. | Cable d'embray           |
| 202            | 90100233 | 1            | 6. kt. skrue       | Schraube           | Screw              | Vis                      |
| 203            | 90307727 | 1            | Bagplade           | Platte             | Rear plate         | Tranche                  |
| 204            | 90307726 | 1            | Forplade           | Platte             | Front plate        | Tranche                  |
| 205            | 90122400 | 2            | Torx skrue         | Torx Schraube      | Torx screw         | Torx vis                 |
| 206            | 90307700 | 1            | Kabelholder kpl.   | Kabelhalter Kpl.   | Cable block cpl.   | Casse de cable           |
| 207            | 90102486 | 1            | Seegering          | Sprengring         | Circlips           | Circlip                  |
| 208            | 90102480 | 1            | Seegering          | Sprengring         | Circlips           | Circlip                  |
| 209            | 90102486 | 1            | Seegering          | Sprengring         | Circlips           | Circlip                  |
| 210            | 90102480 | 1            | Seegering          | Sprengring         | Circlips           | Circlip                  |
| 211            | 90102728 | 1            | Sætskrue           | Schraube           | Screw              | Vis                      |
| 212            | 90122402 | 1            | Skrue              | Schraube           | Flanged screw      | Vis                      |
| 213            | 90307728 | 1            | Pal, højre         | Sperrhacken R.     | Catch right        | Cliquet droite           |
| 214            | 90307729 | 1            | Pal, venstre       | Sperrhacken L.     | Catch left         | Cliquet gauche           |
| 215            | 90102889 | 1            | Stålbolt           | Schraube           | Screw              | Vis                      |
| 216            | 90307352 | 2            | Skumgreb           | Griff              | Plast grip         | Poignee                  |
| 217            | 90307732 | 1            | Holder             | Halterung          | Bracket            | Support                  |
| 218            | 90100691 | 1            | Låsemøtrik         | Mutter             | Nut                | Ecrou                    |
| 219            | 90100691 | 1            | Låsemøtrik         | Mutter             | Nut                | Ecrou                    |
| 220            | 90307724 | 1            | Omskifter          | Hebel              | Handle             | Lévier                   |
| 221            | 90122402 | 1            | Skrue              | Schraube           | Screw              | Vis                      |
| 222            | 90307743 | 2            | Koblingsgreb       | Kupplungsgriff     | Clutch handle      | Poignee                  |
| 223            | 90000440 | 1            | Koblingsgreb, kpl. | Kupplungsgriff Kpl | Clutch handle cpl. | Poignee cpl.             |
| 224            | 90100661 | 2            | Møtrik             | Mutter             | Nut                | Ecrou                    |
| 225            | 90102195 | 2            | Låseskive          | Federscheibe       | Lock washer        | Rondelle frein           |
| 226            | 90102309 | 2            | Planskive          | Planscheibe        | Washer             | Rondelle                 |
| 227            | 90000955 | 1            | Bagskærm - gul     | Abdeckung -Gelb    | Rear sh. - yellow  | Plaque - jaune           |
|                | 90000958 | 1            | Bagskærm - rød     | Abdeckung - Rot    | Rear sheet - red   | Plaque - rouge           |
| 228            | 90102309 | 2            | Planskive          | Planscheibe        | Washer             | Rondelle                 |
| 229            | 90102726 | 2            | Sætskrue           | Scheibe            | Screw              | Vis                      |
| 230            | 90307703 | 3            | Holder for skærm   | Halterung          | Bracket            | Support                  |

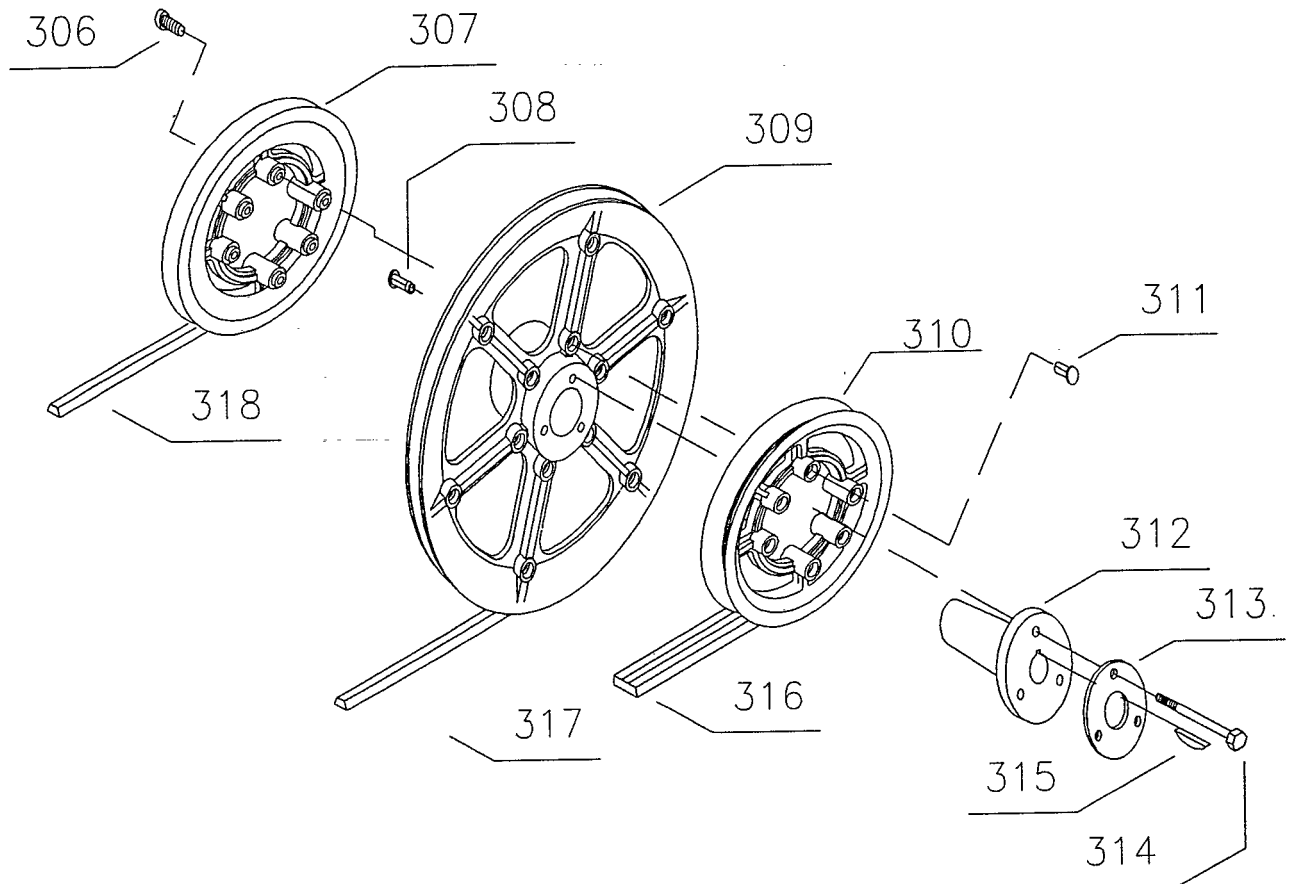


| Illustration F |                      | Remskive |                   | Keilriemenscheibe | Pulley           | Poulie            |
|----------------|----------------------|----------|-------------------|-------------------|------------------|-------------------|
| Nr.            | Best.nr.             | Stk      | Beskrivelse DK    | Bezeichnung D     | Description GB   | Description F     |
| 300            | 9030775 <sup>6</sup> | 1        | Plastsideskærm    | Keilriemenschutz  | Protection sheet | Plaque de prot.   |
| 301            | 90307704             | 2        | Stop for skærm    | Stropfen          | Strap            | Tampon            |
| 302            | 90628151             | 1        | TEXAS Label       | TEXAS Aufkleber   | TEXAS Label      | TEXAS Marque      |
| 303            | 90102309             | 1        | Planskive         | Planscheibe       | Washer           | Rondelle          |
| 304            | 90180951             | 1        | Flangemøtrik      | Mutter            | Nut              | Ecrou             |
| 305            | 90307716             | 1        | Møtrikbeskytter   | Stropfen          | Hood             | Tampon            |
| 306            | 90100166             | 6        | Skruer            | Schraube          | Screw            | Vis               |
| 307            | 90307768             | 1        | Sidehjul          | Seitenrad         | Side wheel       | Roue latérale     |
| 308            | 90111600             | 3        | Blindnitte møtrik | Mutter            | Nut              | Ecrou             |
| 309            | 90307764             | 1        | Hovedhjul         | Antriebsrad       | Ground wheel     | Roue principale   |
| 310            | 90307772             | 1        | Sidehjul          | Seitenrad         | Side wheel       | Roue latérale     |
| 311            | 90111600             | 6        | Blindnitte        | Niet              | Rivet            | Rivet             |
| 312            | 90307762             | 1        | Konus             | Kegel             | Cone             | Cône              |
| 313            | 90121040             | 1        | Skive             | Scheibe           | Washer           | Rondelle          |
| 314            | 90102876             | 3        | Stålbolt          | Schraube          | Bolt             | Vis               |
| 315            | 90101267             | 1        | Woodruffkile      | Passfeder         | Key              | Clavette          |
| 316            | 90308841             | 1        | Ribrem            | Keilriemen, Vorw. | Belt, forward    | Courroie          |
| 317            | 90300212             | 1        | Fremrem           | Keilriemen, Vorw. | V-belt, forward  | Courroie          |
| 318            | 903001 <del>10</del> | 1        | Bakrem 172        | Keilriemen, Rück  | V-belt, reverse  | Courroie          |
| 319            | 90000058             | 2        | Splitbolt         | Steckbolzen       | Cotter bolt      | Boulon à goupille |
| 320            | 90100662             | 1        | Stålmøtrik        | Mutter            | Nut              | Ecrou             |
| 321            | 90000948             | 1        | Jordspyd          | Bremssporn        | Depth skid       | Chevetre          |
| 322            | 90102743             | 1        | Sætskrue          | Schraube          | Screw            | Vis               |
| 323            | 90000057             | 2        | Split             | Federsplint       | Cotter pin       | Goupille          |
| 324            | 90307707             | 1        | Yderskærm, H.     | Schutzdach, R.    | Guard, right     | Plaque prot. G.   |
| 325            | 90122401             | 3        | Flangeskrue       | Schraube          | Screw            | Vis               |
| 326            | 90180950             | 3        | Flangemøtrik      | Mutter            | Nut              | Vis               |
| 327            | 90000950             | 1        | Knivskærm - gul   | Schutzdach Gelb   | Sheet - yellow   | Plaque - jaune    |
|                | 90000953             | 1        | Knivskærm - rød   | Schutzdach Rot    | Sheet - red      | Plaque - rouge    |
| 328            | 90102726             | 2        | Sætskrue          | Schraube          | Screw            | Vis               |
| 329            | 90102309             | 2        | Planskive         | Planscheibe       | Washer           | Rondelle          |
| 330            | 90122618             | 1        | Torx nøgle        | Torx Schlüssel    | Torx spanner     | Clef à vis - Torx |
| 331            | 90122401             | 3        | Flangeskrue       | Schraube          | Screw            | Vis               |
| 332            | 90307708             | 1        | Yderskærm, V.     | Schutzdach, L.    | Guard, left      | Plaque prot. D.   |
| 333            | 90180950             | 3        | Flangemøtrik      | Mutter            | Nut              | Vis               |
| 334            | 90100661             | 2        | Stålmøtrik        | Mutter            | Nut              | Vis               |
| 335            | 90102195             | 2        | Låseskive         | Federscheibe      | Lock washer      | Rondelle frein    |
| 336            | 90628569             | 1        | Advarsels label   | Warndreieck Kle.  | Warning label    | Attention marque  |
| 337            | 90628569             | 1        | Advarsels label   | Warndreieck Kle.  | Warning label    | Attention marque  |

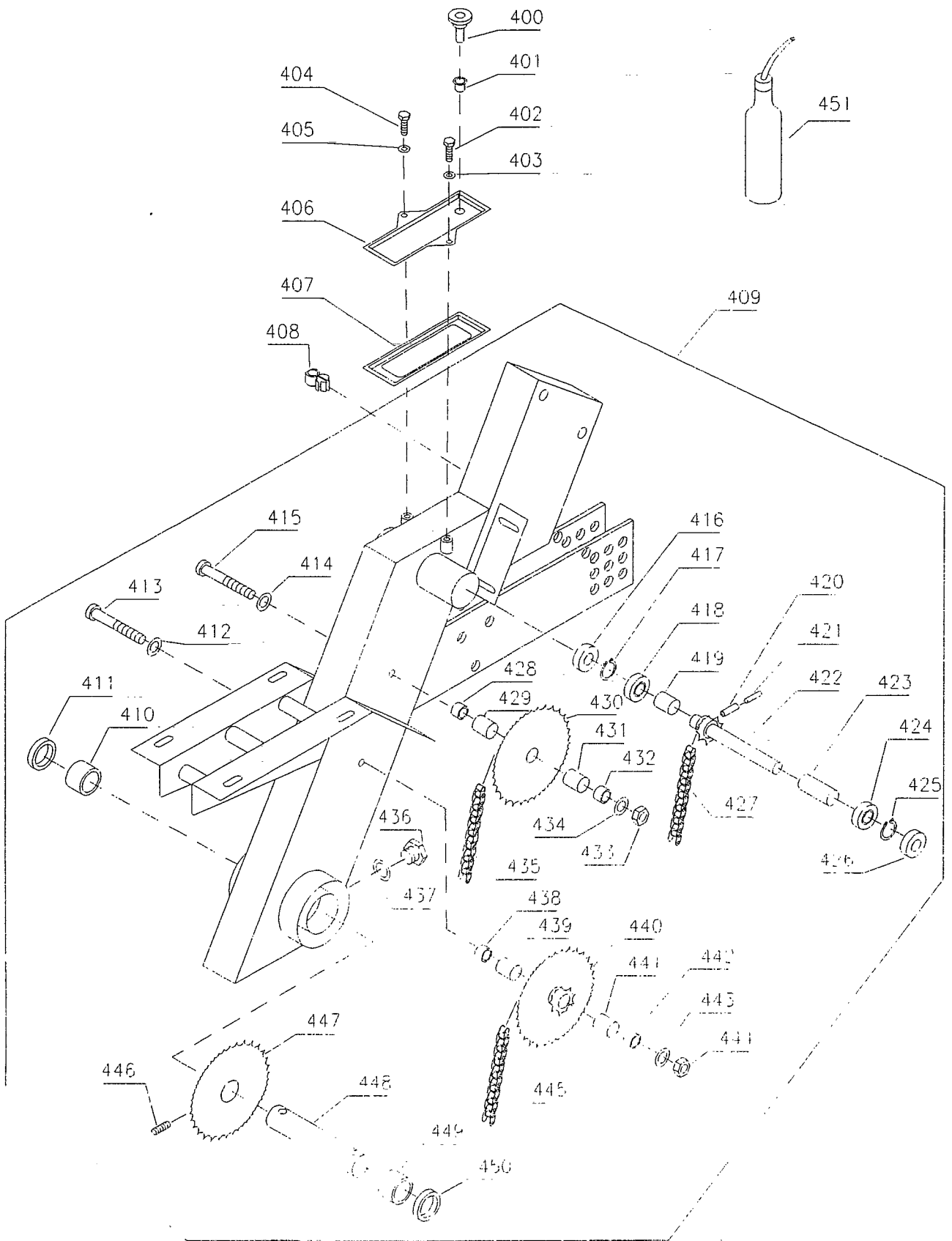


DK: Tillæg til reservedelsliste – Futura 2001–2002  
D : Beiblatt für Ersatzteilliste – Futura 2001–2002  
GB: Addition to spare parts list – Futura 2001–2002  
F : Annexe pur liste de pièces détachées – Futura 2001–2002

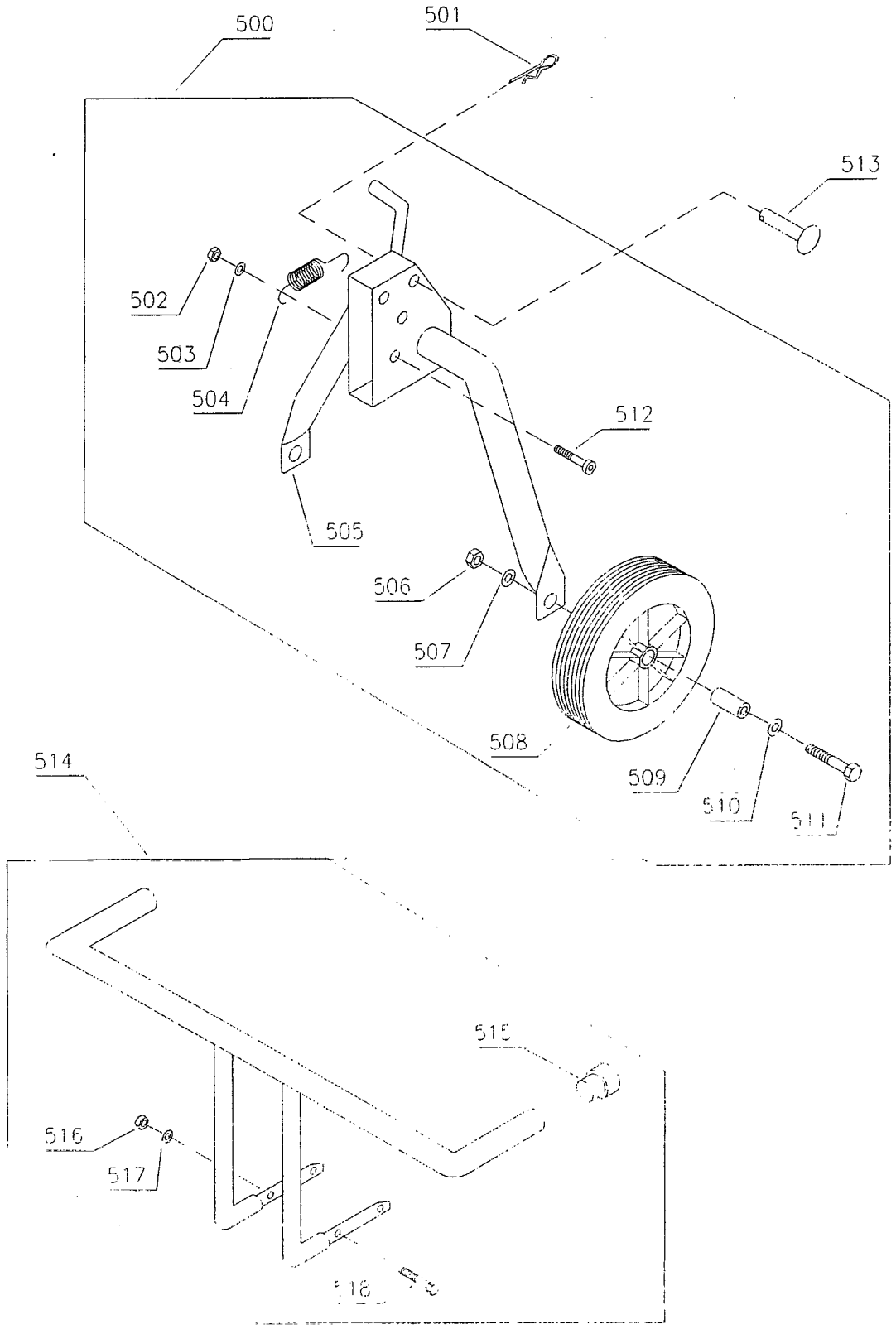
1997/1



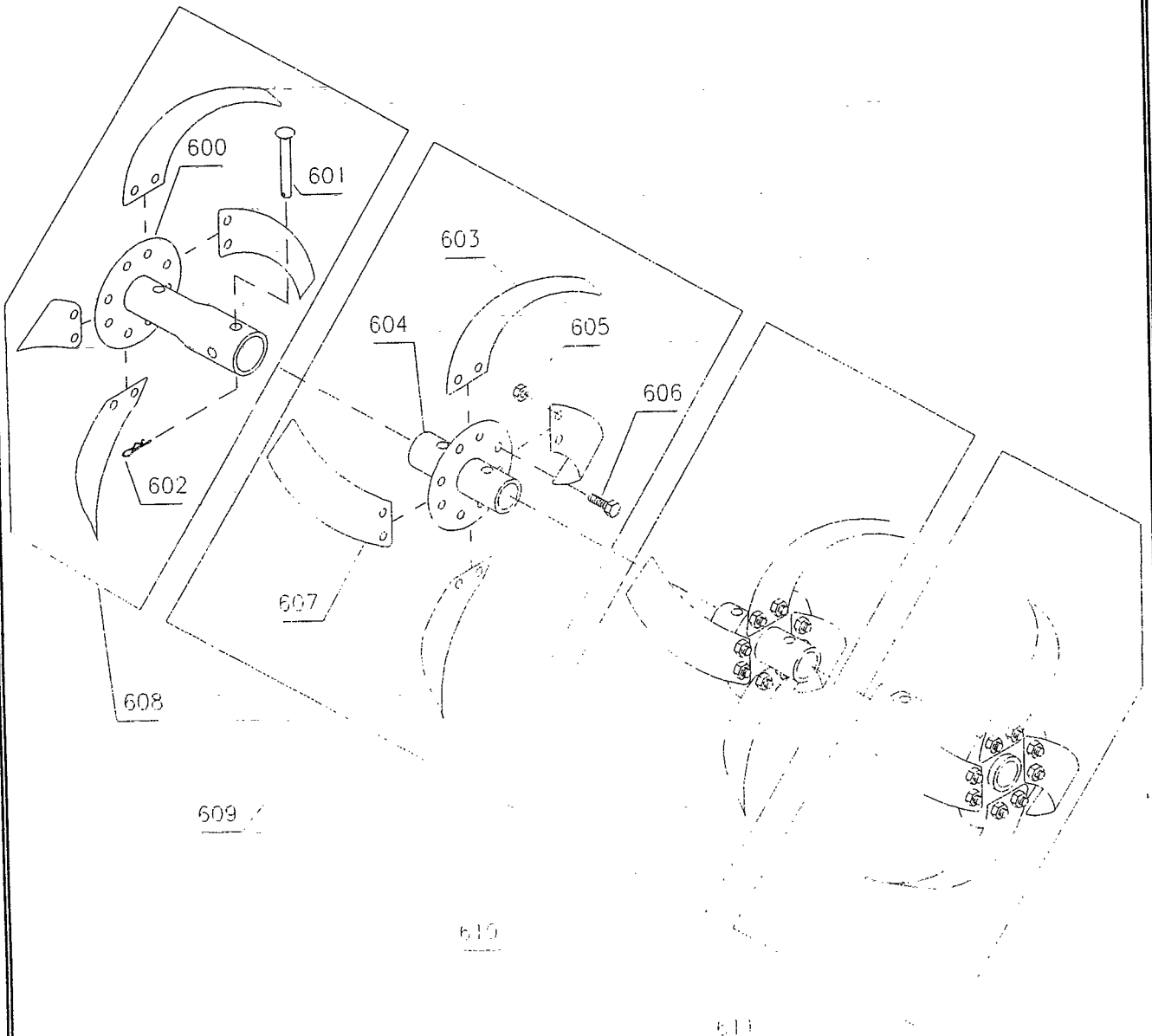
| Nr. | Best.nr. | Stk | Beskrivelse       | Bezeichnung D     | Description GB  | Description F   |
|-----|----------|-----|-------------------|-------------------|-----------------|-----------------|
| 306 | 90100166 | 6   | Skrue             | Schraube          | Screw           | Vis             |
| 307 | 90307768 | 1   | Sidehjul          | Seitenrad         | Side wheel      | Roue latérale   |
| 308 | 90111600 | 3   | Blindnitte møtrik | Mutter            | Nut             | Ecrou           |
| 309 | 90307764 | 1   | Hovedhjul         | Antriebsrad       | Ground wheel    | Roue principale |
| 310 | 90307772 | 1   | Sidehjul          | Seitenrad         | Side wheel      | Roue latérale   |
| 311 | 90111600 | 6   | Blindnitte        | Niet              | Rivet           | Rivet           |
| 312 | 90307762 | 1   | Konus             | Kegel             | Cone            | Cône            |
| 313 | 90121040 | 1   | Skive             | Scheibe           | Washer          | Rondelle        |
| 314 | 90102876 | 3   | Stålbolt          | Schraube          | Screw           | Vis             |
| 315 | 90101267 | 1   | Woodruffkile      | Passfeder         | Key             | Clavette        |
| 316 | 90308841 | 1   | Ribrem            | Keilriemen, Vorw. | Belt, forward   | Courroie        |
| 317 | 90300212 | 1   | Fremrem           | Keilriemen, Vorw. | V-belt, forward | Courroie        |
| 318 | 90300172 | 1   | Bakrem            | Keilriemen, Rück. | V-belt, reverse | Courroie        |



| Illustration H |          | Kædekasse |                   | Getriebe           | Chain case         | Cater de transmission |
|----------------|----------|-----------|-------------------|--------------------|--------------------|-----------------------|
| Nr.            | Best nr. | Stk       | Beskrivelse DK    | Bezeichnung D      | Description GB     | Description F         |
| 400            | 90000323 | 1         | Plastprop         | Stopfen            | Plug               | hon                   |
| 401            | 90000324 | 1         | Bøsning for prop  | Buchse             | Bushing for plug   | Entrtoise             |
| 402            | 90102729 | 1         | Sætskrue          | Schraube           | Screw              | Vis                   |
| 403            | 90102195 | 1         | Låseskive         | Federscheibe       | Lock washer        | Rondelle frein        |
| 404            | 90102729 | 1         | Sætskrue          | Schraube           | Screw              | Vis                   |
| 405            | 90102195 | 1         | Låseskive         | Federscheibe       | Lock Washer        | Rondelle frein        |
| 406            | 90000064 | 1         | Dæksel            | Abdeckung          | Cover for case     | Couverc. de cater     |
| 407            | 90000424 | 1         | Pakning           | Dichtung           | Gasket for case    | Joint de cater        |
| 408            | 90307690 | 1         | Kabelholder       | Seilhalter         | Cabelholder        | Cercle                |
| 409            | 90000941 | 1         | Kædek. kpl. - gul | Kettenk. Kpl. Gelb | Chain c.cpl yellow | Cater T.cpl. jaune    |
|                | 90000944 | 1         | Kædek. kpl. - rød | Kettenk. Kpl. Rot  | Chain c. cpl. -red | Cater T.cpl. rouge    |
| 410            | 90201190 | 1         | Nåleleje          | Nadellager         | Needle bearing     | Palier à aiguilles    |
| 411            | 90101620 | 1         | Olietætningsring  | Dichtungsring      | Oil seal           | Joint SPI             |
| 412            | 90102310 | 1         | Planskive         | Planscheibe        | Washer             | Rondelle              |
| 413            | 90100220 | 1         | 6. kant skrue     | Schraube           | Screw              | Vis                   |
| 414            | 90102310 | 1         | Planskive         | Planscheibe        | Washer             | Rondelle              |
| 415            | 90100220 | 1         | 6. kant skrue     | Schraube           | Screw              | Vis                   |
| 416            | 90101610 | 1         | Olietætningsring  | Dichtungsring      | Oil seal           | Joint SPI             |
| 417            | 90102615 | 1         | Seegering         | Sprengring         | Circlips           | Circlip               |
| 418            | 90200222 | 1         | Kugleleje         | Kugellager         | Ball bearing       | Roulem. à billes      |
| 419            | 90000048 | 1         | Afstandsbo        | Buchse             | Bushing            | Entretoise            |
| 420            | 90104480 | 1         | Rørstift          | Spannstift         | Pin                | Vis de serrage        |
| 421            | 90104430 | 1         | Rørstift          | Spannstift         | Pin                | Vis de serrage        |
| 422            | 90000406 | 1         | Indgangsaksel kpl | Welle Kpl.         | Shaft cpl.         | Arbre de roue         |
| 423            | 90000049 | 1         | Afstandsbo        | Buchse             | Bushing            | Entretoise            |
| 424            | 90200222 | 1         | Kugleleje         | Kugellager         | Ball bearing       | Roulem. à billes      |
| 425            | 90102615 | 1         | Seegering         | Sprengring         | Circlips           | Circlip               |
| 426            | 90101610 | 1         | Olietætningsring  | Dichtungsring      | Oil seal           | Joint SPI             |
| 427            | 90000460 | 1         | Øverste kæde      | Kette              | Chain              | Chaîne                |
| 428            | 90201050 | 1         | Nåleleje          | Nadellager         | Needle bearing     | Palier à aiguilles    |
| 429            | 90000432 | 1         | Afstandsbo        | Buchse             | Bushing            | Entretoise            |
| 430            | 90000411 | 1         | Kædehjul          | Kettenrad          | Chain wheel        | Roue à chaîne         |
| 431            | 90000033 | 1         | Afstandsbo        | Buchse             | Bushing            | Entretoise            |
| 432            | 90201050 | 1         | Nåleleje          | Nadellager         | Needle bearing     | Palier à aiguilles    |
| 433            | 90100692 | 1         | Stålmøtrik        | Mutter             | Lock nut           | Vis                   |
| 434            | 90102310 | 1         | Planskive         | Planscheibe        | Washer             | Rondelle              |
| 435            | 90000461 | 1         | Mellemste kæde    | Kette              | Chain              | Cahine                |
| 436            | 90000047 | 1         | Bundprop          | Bolzen             | Drain plug         | Vis                   |
| 437            | 90000046 | 1         | Pakning           | Dichtung           | Gasket for plug    | Joint de carter       |
| 438            | 90201050 | 1         | Nåleleje          | Nadellager         | Needle bearing     | Palier à aiguilles    |
| 439            | 90000432 | 1         | Afstandsbo        | Buchse             | Bushing            | Entretoise            |
| 440            | 90000032 | 1         | Kædehjul          | Kettenrad          | Chain wheel        | Roue à chaîne         |
| 441            | 90000033 | 1         | Afstandsbo        | Buchse             | Bushing            | Entretoise            |
| 442            | 90201050 | 1         | Nåleleje          | Nadellager         | Needle bearing     | Palier à aiguilles    |
| 443            | 90102309 | 1         | Planskive         | Planscheibe        | Washer             | Rondelle              |
| 444            | 90100692 | 1         | Stålmøtrik        | Mutter             | Lock nut           | Ecrou                 |
| 445            | 90000126 | 1         | Nederste kæde     | Kette              | Chain              | Cahine                |
| 446            | 90100303 | 1         | Pinolskrue        | Schraube           | Screw              | Vis                   |
| 447            | 90000042 | 1         | Kædehjul          | Kettenrad          | Chain wheel        | Roue à chaîne         |
| 448            | 90000045 | 1         | Udgangsaksel      | Welle              | Shaft              | Arbre                 |
| 449            | 90201190 | 1         | Nåleleje          | Nadellager         | Needle bearing     | Palier à aiguilles    |
| 450            | 90101620 | 1         | Olietætningsring  | Dichtungsring      | Oil seal           | Joint SPI             |
| 451            | 90306500 | 1         | Multifak 0,5L.    | Multifak 0,5L.     | Multifak 0,5L.     | Multifak 0,5L.        |



| Illustration J |             | Støttehjul |                   | Stützrad        | Support wheel     | Roue de support   |
|----------------|-------------|------------|-------------------|-----------------|-------------------|-------------------|
| Nr.            | Best.nr.    | Stk        | Beskrivelse DK    | Bezeichnung D   | Description GB    | Description F     |
| 500            | 90000456    | 1          | Hjulbøjle kpl.    | Radgabel Kpl.   | Support wheel cpl | Roue de sup. cpl  |
| 501            | 90000057    | 1          | Split             | Federstecker    | Cotter pin        | Goupille          |
| 502            | 90100692    | 1          | Låsemøtrik        | Mutter          | Lock nut          | Ecrou             |
| 503            | 90102310    | 1          | Planskive         | Planscheibe     | Washer            | Rondelle          |
| 504            | 90000457    | 1          | Fjeder for lås    | Feder           | Spring            | Ressort           |
| 505            | 90000458    | 1          | Hjulbøjle         | Radgabel        | Wheel fork        | Rouage            |
| 506            | 90100666    | 2          | Stålmøtrik        | Mutter          | Nut               | Ecrou             |
| 507            | 90102202    | 2          | Låseskive         | Federscheibe    | Lock washer       | Rondelle frein    |
| 508            | 90304200    | 2          | Støttehjul        | Stützrad        | Support wheel     | Roue de support   |
| 509            | 90000051    | 2          | Hjulbøs           | Buchse          | Bushing           | Entretoise        |
| 510            | 90102314    | 2          | Planskive         | Planscheibe     | Washer            | Rondelle          |
| 511            | 90100973    | 2          | Stålbolt          | Schraube        | Screw             | Vis               |
| 512            | 90100375    | 3          | 6.kt. skrue       | Schraube        | Screw             | Vis               |
| 513            | 90000056    | 3          | Splitbolt         | Bolzen          | Cotter bolt       | Boulon à goupille |
| 514            | 91134000100 | 1          | Kofanger kpl.     | Stoßstange Kpl. | Bumber cpl.       | Pare-chocs cpl.   |
| 515            | 90307715    | 2          | Prop for kofanger | Stopfen         | Plug for bumber   | Tampon de tupe    |
| 516            | 90100662    | 2          | Stålmøtrik        | Mutter          | Nut               | Ecrou             |
| 517            | 90102198    | 2          | Låseskive         | Federscheibe    | Lock washer       | Rondelle frein    |
| 518            | 90102918    | 2          | Stålbolt          | Schraube        | Screw             | Vis               |



| Illustration K |          | Fræserknive | Hacksatz            | Set of rotors     | Jeu cpl.de fraises |                 |
|----------------|----------|-------------|---------------------|-------------------|--------------------|-----------------|
| Nr.            | Best.nr. | Stk         | Beskrivelse DK      | Bezeichnung D     | Description GB     | Description F   |
| 600            | 90000012 | 2           | Yderknivrør         | Messerrohr aus.   | Tube - outer       | Tupe            |
| 601            | 90000006 | 4           | Splitbolt           | Steckbolzen       | Cotter bolt        | Goupille        |
| 602            | 90000057 | 4           | Split               | Federstecker      | Cotter pin         | Goupille        |
| 603            | 90000215 | 8           | Knivblad, venstre   | Hackmesser L.     | Knife left         | Fraise gauche   |
| 604            | 90000010 | 2           | Inderknivrør        | Messerrohr inn.   | Tube inner         | Tupe            |
| 605            | 90100721 | 32          | Møtrik              | Mutter            | Nut                | Ecrou           |
| 606            | 90103908 | 32          | Stålbolt            | Bolzen            | Bolt               | Vis             |
| 607            | 90000214 | 8           | Knivblad, højre     | Hackmesser R.     | Knife right        | Fraise droite   |
| 608            | 90000094 | 1           | Høj. yderkniv kpl.  | Hackstern R. Kpl. | Rotor R. cpl.      | Ens. fraises D. |
| 609            | 90000095 | 1           | Høj. inderkniv kpl. | Hackstern R. Kpl. | Rotor R. cpl.      | Ens. fraises D. |
| 610            | 90000092 | 1           | Ven. inderkniv kpl. | Hackstern L. Kpl. | Rotor L. cpl.      | Ens. fraises G. |
| 611            | 90000093 | 1           | Ven. yderkniv kpl.  | Hackstern L. Kpl. | Rotor L. cpl.      | Ens. fraises G. |