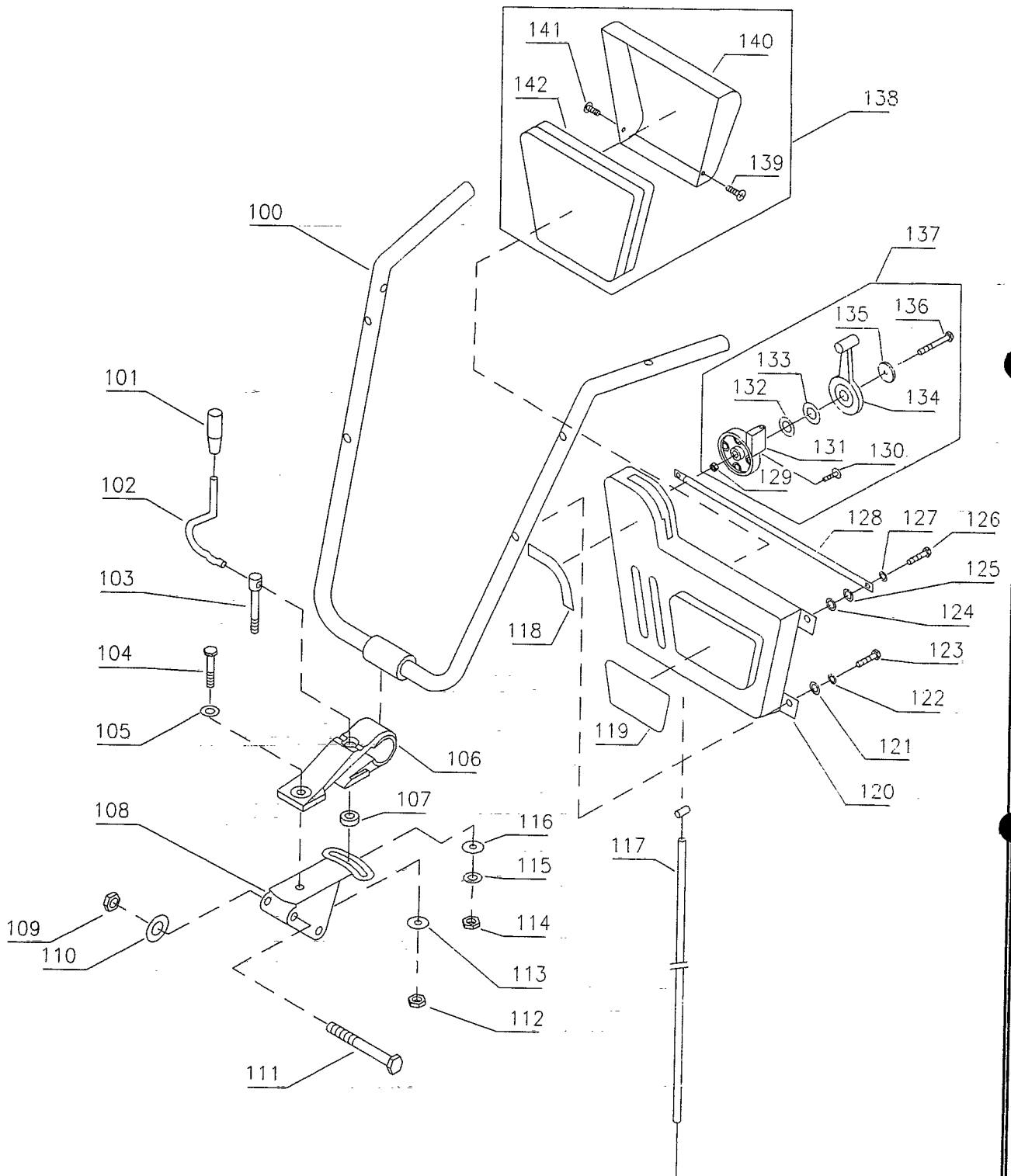
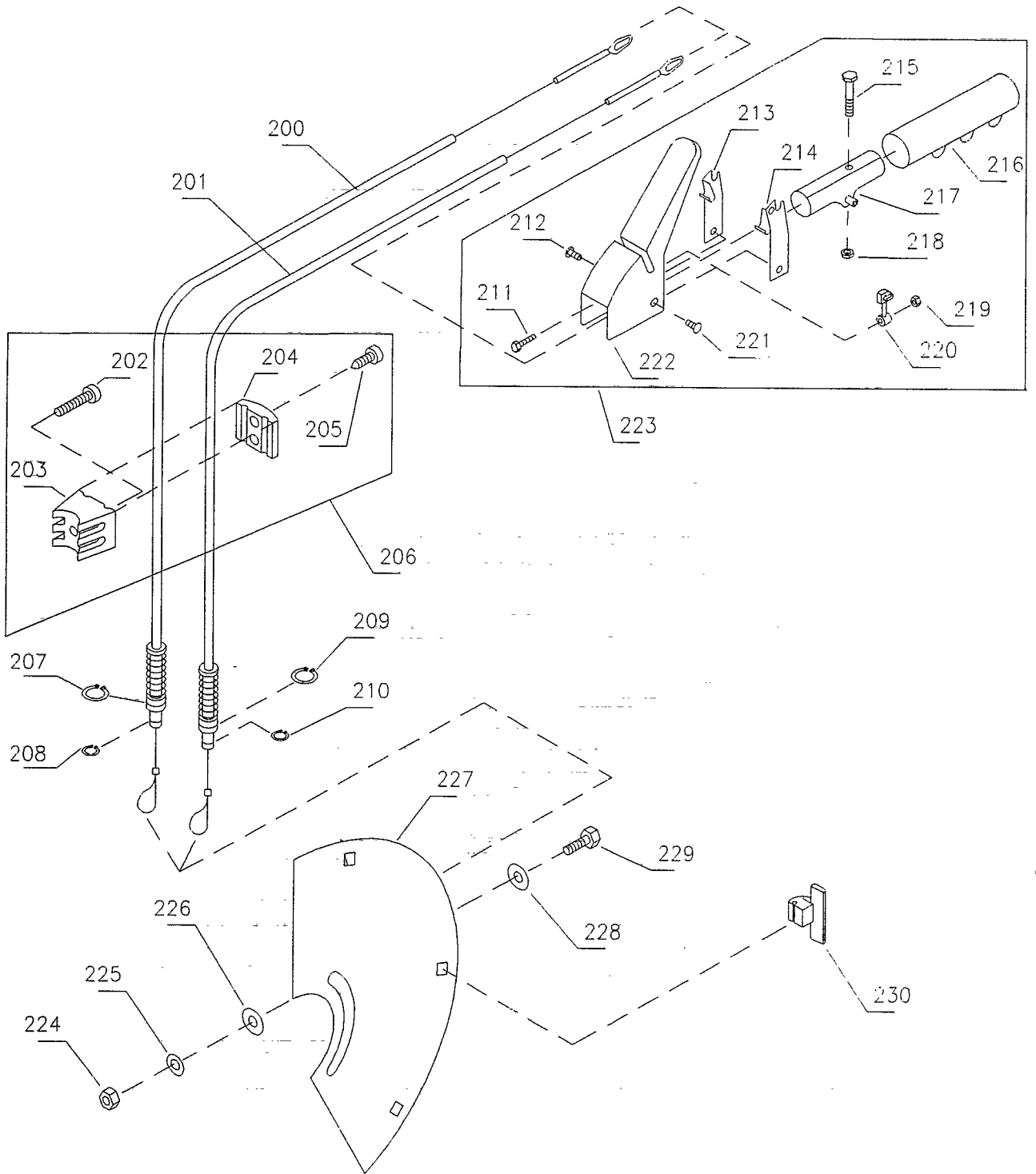


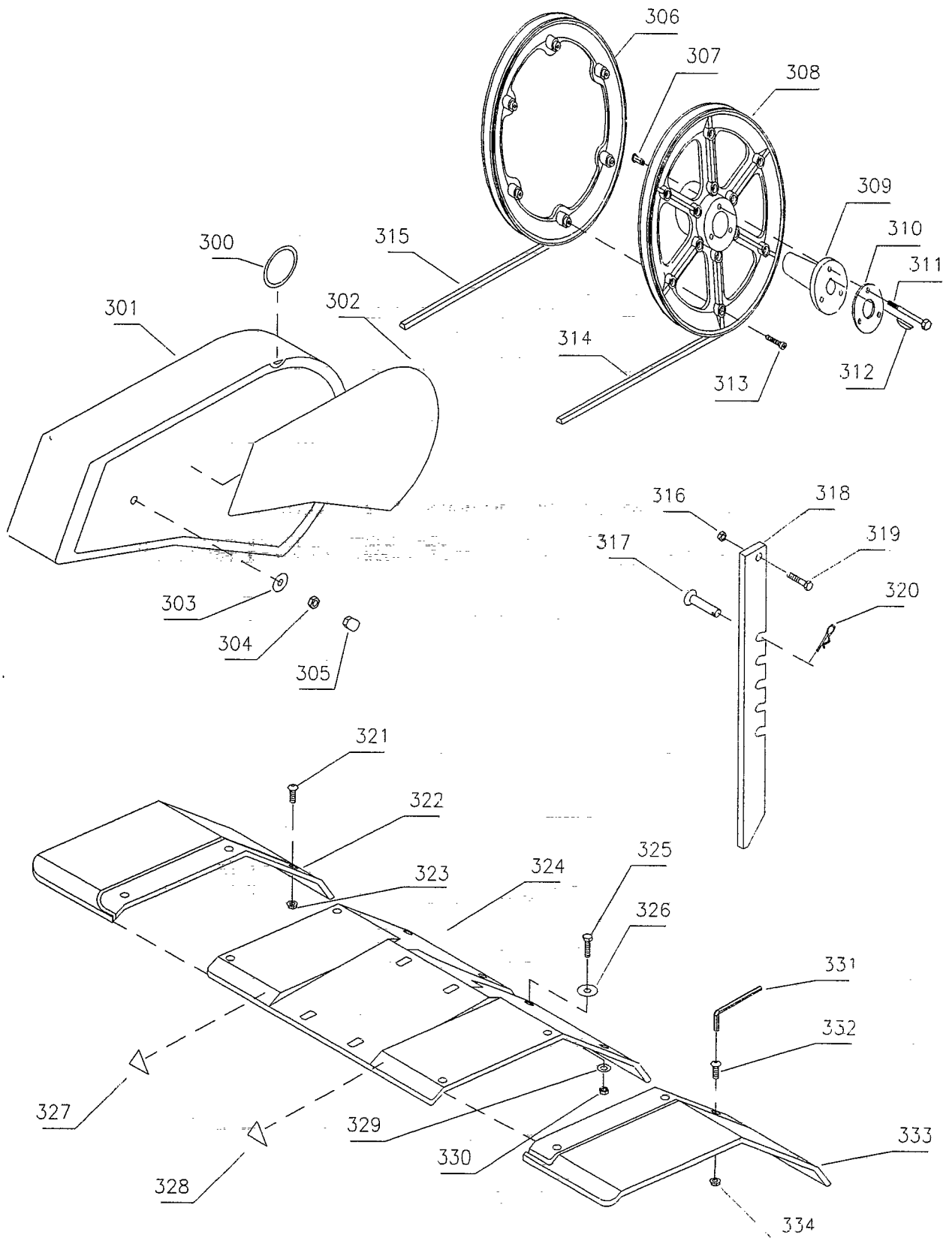
| Illustration A | | Motor / Strammerulle | Motortyp / Spannrolle | Engine / Belt tightener | Moteur / Tendeur de courroie | |
|----------------|------------|----------------------|-----------------------|-------------------------|------------------------------|---------------------|
| Nr. | Best.nr. | Stk | Beskrivelse DK | Bezeichnung D | Description GB | Description F |
| 001 | 90102916 | 4 | Stålbolt | Schraube | Screw | Vis |
| 002 | 90102310 | 4 | Planskive | Planscheibe | Washer | Rondelle |
| 003 | 90102198 | 4 | Låseskive | Federscheibe | Lock washer | Rondelle frein |
| 004 | 90100662 | 4 | Stålmøtrik | Mutter | Nut | Ecrou |
| 005 | 135292 | 1 | Motor 5 HK B&S | Motor 5 PS B&S | Motor 5 HP B&S | Moteur 5CV B&S |
| | FA210AFS51 | 1 | Motor 5 HK Kawa | Motor 5 PS Kawa | Motor 5 HP Kawa | Moteur 5CV Kawa |
| 006 | 90628459 | 1 | Olieadvar. label | Aufkleber | Warning label | Moteur marque |
| 007 | 90122614 | 1 | Tændrørsn. B&S | Kertzensch. B&S | Spark. plug B&S | Clef d.bougie,B&S |
| | 90122610 | 1 | Tændrørsn. Kawa | Kertzensch. Kawa | Spark. plug Kawa | Clef d.bougie.,Kawa |
| 008 | 90000772 | 1 | Udstødningsgitter. | Auspuffschutz | Protection Sheet | Ecrou Protecteur |
| 009 | 90118700 | 1 | Maskinskrue | Schraube | Screw | Vis |
| 010 | 90001238 | 1 | Afstandsboes | Buchse | Bushing | Entretoise |
| 011 | 90000306 | 1 | Strammerulle, bak | Spanrolle rückw. | Idle pulley rev. | Tendeur de cour. |
| 012 | 90100663 | 1 | Stålmøtrik | Mutter | Nut | Ecrou |
| 013 | 90001239 | 1 | Fjeder for bakarm | Feder | Spring | Ressort |
| 014 | 90100270 | 2 | Pinolskrue | Schraube | Allen screw | Vis |
| 015 | 90000445 | 1 | Bakremskive | keilriemenseibe | Pulley reverse | Poulie réciproque |
| 016 | 90101263 | 1 | Woodruffkile | Passfeder | Key | Clavette |
| 017 | 90307748 | 1 | Dølle, handel | Halter, innen | Guide, inside | Comm., inside |
| 018 | 90307747 | 1 | Dølle, hundel | Halter, aussen | Guide, outside. | Comm., outside |
| 019 | 90307747 | 1 | Dølle, hundel | Halter, aussen | Guide, outside | Comm.,outside |
| 020 | 90100283 | 2 | Pinolskrue | Schraube | Screw | Vis |
| 021 | 90000101 | 1 | Fremremskive | keilriemenseibe | Pulley forward | Poulie marche |
| 022 | 90102060 | 1 | Not | Passfeder | Key | Clavette |
| 023 | 90001228 | 1 | Bakplade komplet | Platte kpl. | Fitting plate cpl. | Cons. d. mar. cpl. |
| 024 | 90001236 | 1 | Bakplade m. arm | Platte mit Arm | Fitting plate, rev. | Cons de marche |
| 025 | 90102730 | 1 | Sætskrue | Schraube | Screw | Vis |
| 026 | 90102195 | 1 | Låseskive | Federscheibe | Lockwasher | Rondelle frein |
| 027 | 90100661 | 1 | Stålmøtrik | Mutter | Nut | Ecrou |
| 028 | 90102198 | 2 | Låseskive | Federscheibe | Lockwasher | Rondelle frein |
| 029 | 90103890 | 2 | Stålbolt, B&S | Schraube, B&S | Screw, B&S | Vis, B&S |
| | 90102741 | 2 | Stålbolt, Kawa | Schraube, Kawa | Screw, Kawa | Vis, Kawa |
| 030 | 90100068 | 1 | Brædebolt | Schraube | Screw | Vis |
| 031 | 90000091 | 1 | Beslag for skærm | Konsole | Cons.f.prot. sheet | Console |
| 032 | 90102310 | 1 | Planskive | Planscheibe | Washer | Rondelle |
| 033 | 90102195 | 1 | Låseskive | Federscheibe | Lockwasher | Rondelle frein |
| 034 | 90100661 | 1 | Stålmøtrik | Mutter | Nut | Ecrou |
| 035 | 90102310 | 1 | Planskive | Planscheibe | Washer | Rondelle |
| 036 | 90102198 | 1 | Låseskive | Federscheibe | Lockwasher | Rondelle frein |
| 037 | 90102741 | 1 | Stålbolt | Schraube | Screw | Vis |
| 038 | 90000462 | 1 | Fjeder f. fremarm | Feder | Spring | Ressort |
| 039 | 90120100 | 1 | Afstandsskive | Abstandscheibe | Washer | Rondelle |
| 040 | 90102773 | 1 | Stålbolt | Schraube | Screw | Vis |
| 041 | 90307746 | 1 | Strammerulle | Spanrolle vorw. | Idle pulley for. | Tendeur de cour. |
| 042 | 90001238 | 1 | Afstandsboes | Buchse | Bushing | Entretoise |
| 043 | 90001237 | 1 | Fremarm | Konsole | Idle arm | Console |
| 044 | 90102486 | 1 | Seegering | Sprengring | Circlips | Circlip |
| 045 | 90102311 | 1 | Planskive | Planscheibe | Washer | Rondelle |
| 046 | 90111557 | 1 | Kontramøtrik | Kontermutter | Nut | Ecrou |
| 047 | 90001312 | 1 | Fremarm komplet | Spanrolle kpl. | Idle arm assy | Tend.d.cour. cpl. |



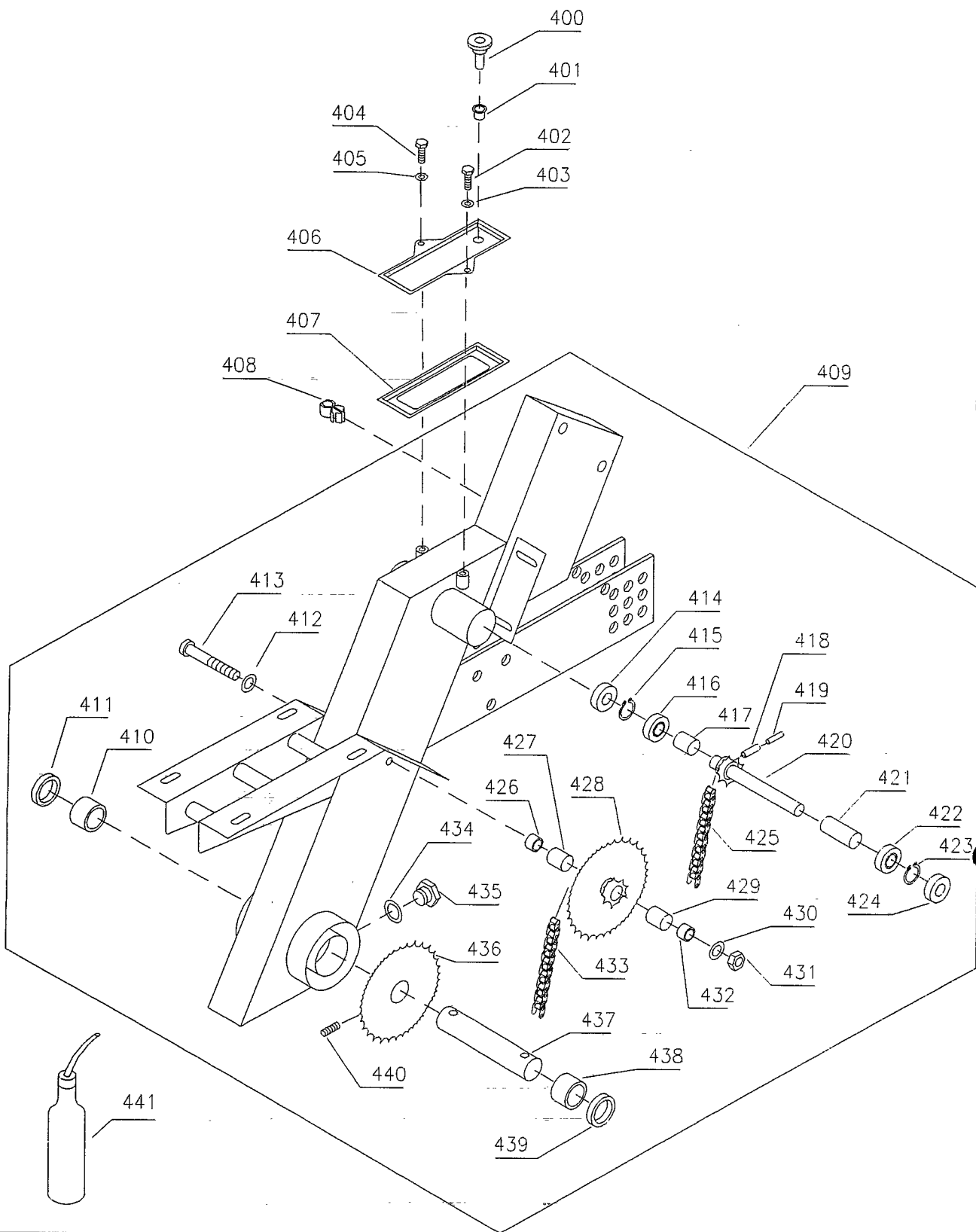
| Illustration C | | Styr | | Lenkholm | Handlebar | Barre gauche |
|----------------|----------|------|-------------------|--------------------|----------------------|---------------------|
| Nr. | Best.nr. | Stk | Beskrivelse DK | Bezeichnung D | Description GB | Descriptin F |
| 100 | 90000901 | 1 | Styr – gul | Lenkholm – Gelb | Handlebar,yellow | Poignee – jaune |
| | 90000904 | 1 | Styr – rød | Lenkholm – Rot | Handlebar – red | Poignee – rouge |
| 101 | 90307351 | 1 | Skumgreb | Plastgriff | Grip | Poignee |
| 102 | 90000090 | 1 | Låsegreb | Hebel | Level | Gros levier |
| 103 | 90001212 | 1 | Bolt for greb | Schraube für Griff | Screw for level | Vis |
| 104 | 90102942 | 1 | Stålbolt | Schraube | Screw | Vis |
| 105 | 90102311 | 1 | Planskive | Planscheibe | Washer | Rondelle |
| 106 | 90000906 | 1 | Styrholder – gul | Holmhalter –Gelb | Handle – yellow | Poignee – jaune |
| | 90000909 | 1 | Styrholder – rød | Holmhalter – Rot | Handle – red | Poignee – rouge |
| 107 | 90328100 | 1 | Styr for bolt | Plastiksteuer | Plastic for bolt | Plaque á vis |
| 108 | 90000916 | 1 | Styrholder – gul | Holmhalter– Gelb | Bracket – yellow | Poignee – jaune |
| | 90000919 | 1 | Styrholder – rød | Holmhalter – Rot | Bracket – red | Poignee – rouge |
| 109 | 90100663 | 2 | Låsemøtrik | Mutter | Nut | Ecrou |
| 110 | 90102199 | 2 | Låseskive | Federscheibe | Lock washer | Rondelle frein |
| 111 | 90102946 | 2 | Stålbolt | Schraube | Screw | Vis |
| 112 | 90100693 | 1 | Låsemøtrik | Federscheibe | Lock washer | Rondelle frein |
| 113 | 90120059 | 1 | Planskive | Planscheibe | Washer | Rondelle |
| 114 | 90100694 | 1 | Låsemøtrik | Mutter | Nut | Ecrou |
| 115 | 90121012 | 1 | Tallerkenskive | Scheibe | Washer | Rondelle |
| 116 | 90120075 | 1 | Facetskive | Scheibe | Washer | Rondelle |
| 117 | 90307015 | 1 | Gaskabel | Gaszug | Throttle cabel | Etrangl. du gaz |
| 118 | 90628238 | 1 | Label | Aufkleber für Gas. | Label | Marque á gaz |
| 119 | 90628258 | 1 | TEXAS label | Aufkleber–Paneel | Label for plate | Marque á Plast. |
| 120 | 90307701 | 1 | Brystplade | Paneel | Front plate | Plastron |
| 121 | 90102309 | 2 | Planskive | Planscheibe | Washer | Rondelle |
| 122 | 90102195 | 2 | Låseskive | Federscheibe | Lock washer | Rondelle frein |
| 123 | 90102729 | 2 | Sætskrue | Schraube | Screw | Vis |
| 124 | 90102309 | 2 | Planskive | Planscheibe | Washer | Rondelle |
| 125 | 90102309 | 2 | Planskive | Planscheibe | Washer | Rondelle |
| 126 | 90102729 | 2 | Sætskrue | Schraube | Screw | Vis |
| 127 | 90102195 | 2 | Låseskive | Federscheibe | Lock washer | Rondelle frein |
| 128 | 90000913 | 1 | Stang for styr | Achse | Rod for toolbox | Barre |
| 129 | 90100691 | 1 | Låsemøtrik | Mutter | Nut | Ecrou du blocage |
| 130 | 90122321 | 4 | Skrue | Schraube | Screw | Vis |
| 131 | 90307720 | 1 | Plade for gasgreb | Platte | Plate for thr. cont. | Plaque |
| 132 | 90120105 | 1 | Planskive | Planscheibe | Washer | Rondelle |
| 133 | 90121018 | 1 | Tallerkenskive | Scheibe | Washer | Rondelle |
| 134 | 90307719 | 1 | Gasgreb | Gashebel | Throttle control | Manette à gaz |
| 135 | 90307718 | 1 | Skive for gasgreb | Scheibe – plastik | Plastik washer | Rondelle plastic |
| 136 | 90102728 | 1 | Sætskrue | Schraube | Screw | Vis |
| 137 | 90307712 | 1 | Gasgreb kpl. | Gashebel Kpl. | Throttle contr. cpl. | Manet. à gaz cpl. |
| 138 | 90307721 | 1 | Værktøjskas. kpl. | Werkzeugsk. Kpl. | Toolbox cpl. | Coff. à outils cpl. |
| 139 | 90122319 | 1 | PH-Plastite | Schraube | Screw | Vis |
| 140 | 90307702 | 1 | Værktøjskasse | Werkzeugskasten | Toolbox | Coffre à outils |
| 141 | 90122319 | 1 | PH-Plastite | Schraube | Screw | Vis |
| 142 | 90307723 | 1 | Skum for kasse | Einlage für Werkz | Foam for toolbox | Piece |



| Illustration D | | Koblingsgreb | | Kupplungsgriff | Clutch handle | Poignee d'em-brayage |
|----------------|----------|--------------|--------------------|--------------------|--------------------|----------------------|
| Nr. | Best.nr. | Stk | Beskrivelse DK | Bezeichnung D | Description GB | Description F |
| 200 | 90000520 | 1 | Bakkabel | Kupplungsseil RÜ | Clutch cable, rev. | Cable d'embray |
| 201 | 90000515 | 1 | Fremkabel | Kupplungsseil VO | Clutch cable, for. | Cable d'embray |
| 202 | 90100233 | 1 | 6. kt. skrue | Skrue | Screw | Vis |
| 203 | 90307727 | 1 | Bagplade | Platte | Rear plate | Tranche |
| 204 | 90307726 | 1 | Forplade | Platte | Front plate | Tranche |
| 205 | 90122400 | 2 | Torx skrue | Torx Skrue | Torx screw | Torx vis |
| 206 | 90307700 | 1 | Kabelholder kpl. | Kabelhalter Kpl. | Cable block cpl. | Casse de cable |
| 207 | 90102486 | 1 | Seegering | Sprengring | Circlips | Circlip |
| 208 | 90102480 | 1 | Seegering | Sprengring | Circlips | Circlip |
| 209 | 90102486 | 1 | Seegering | Sprengring | Circlips | Circlip |
| 210 | 90102480 | 1 | Seegering | Sprengring | Circlips | Circlip |
| 211 | 90102728 | 1 | Sætskrue | Skrue | Screw | Vis |
| 212 | 90122402 | 1 | Skrue | Skrue | Flanged screw | Vis |
| 213 | 90307728 | 1 | Pal, højre | Sperrhacken R. | Catch right | Cliquet droite |
| 214 | 90307729 | 1 | Pal, venstre | Sperrhacken L. | Catch left | Cliquet gauche |
| 215 | 90102889 | 1 | Stålbolt | Skrue | Screw | Vis |
| 216 | 90307352 | 2 | Skumgreb | Griff | Plast grip | Poignee |
| 217 | 90307732 | 1 | Holder | Halterung | Bracket | Support |
| 218 | 90100691 | 1 | Låsemøtrik | Mutter | Nut | Ecrou |
| 219 | 90100691 | 1 | Låsemøtrik | Mutter | Nut | Ecrou |
| 220 | 90307724 | 1 | Omskifter | Hebel | Handle | Lévier |
| 221 | 90122402 | 1 | Skrue | Skrue | Screw | Vis |
| 222 | 90307743 | 2 | Koblingsgreb | Kupplungsgriff | Clutch handle | Poignee |
| 223 | 90000440 | 1 | Koblingsgreb, kpl. | Kupplungsgriff Kpl | Clutch handle cpl. | Poignee cpl. |
| 224 | 90100661 | 2 | Møtrik | Mutter | Nut | Ecrou |
| 225 | 90102195 | 2 | Låseskive | Federscheibe | Lock washer | Rondelle frein |
| 226 | 90102309 | 2 | Planskive | Planscheibe | Washer | Rondelle |
| 227 | 90000955 | 1 | Bagskærm - gul | Abdeckung -Gelb | Rear sh. - yellow | Plaque - jaune |
| | 90000958 | 1 | Bagskærm - rød | Abdeckung - Rot | Rear sheet - red | Plaque - rouge |
| 228 | 90102309 | 2 | Planskive | Planscheibe | Washer | Rondelle |
| 229 | 90102726 | 2 | Sætskrue | Scheibe | Screw | Vis |
| 230 | 90307703 | 3 | Holder for skærm | Halterung | Bracket | Support |

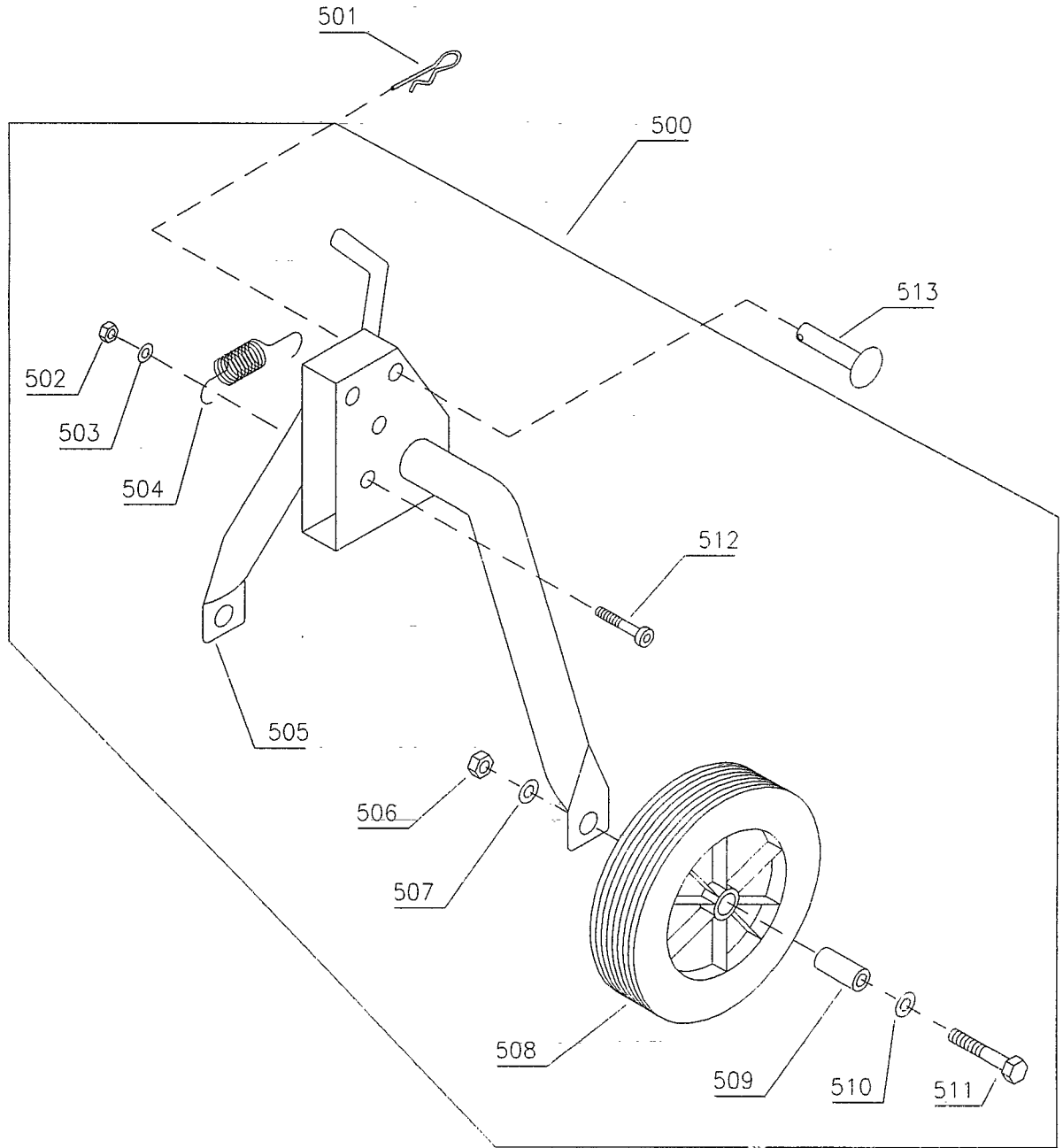


| Illustration E . | | Remskive | Keilriemenscheibe | Pulley | Poulie | |
|------------------|----------|----------|-------------------|-------------------|------------------|-------------------|
| Nr. | Best.nr. | Stk | Beskrivelse DK | Bezeichnung D | Description GB | Description F |
| 300 | 90307704 | 2 | Strop for skærm | Stropfen | Strap | Tampon |
| 301 | 90307756 | 1 | Plastsideskærm | Keilriemenschutz | Protection sheet | Plaque de prot. |
| 302 | 90628151 | 1 | TEXAS Label | TEXAS Aufkleber | TEXAS label | TEXAS marque |
| 303 | 90102309 | 1 | Planskive | Planscheibe | Washer | Rondelle |
| 304 | 90180951 | 1 | Flangemøtrik | Mutter | Nut | Ecrou |
| 305 | 90307716 | 1 | Møtrikbeskytter | Stropfen | Hood | Tampon |
| 306 | 90307766 | 1 | Sidehjul | Seitenrad | Side wheel | Roue latérale |
| 307 | 90111600 | 3 | Blindnitte møtrik | Mutter | Nut | Ecrou |
| 308 | 90307764 | 1 | Hovedhjul | Antriebsrad | Ground wheel | Roue principale |
| 309 | 90307762 | 1 | Konus | Kegel | Cone | Cône |
| 310 | 90121040 | 1 | Skive | Scheibe | Washer | Rondelle |
| 311 | 90102876 | 3 | Stålbolt | Schraube. | Bolt | Vis |
| 312 | 90101267 | 1 | Woodruffkile | Passfeder | Key | Clavette |
| 313 | 90122400 | 6 | Skruer | Schraube | Screw | Vis |
| 314 | 90300212 | 1 | Fremrem | Keilriemen, Vorw. | V-belt, forward | Courroie |
| 315 | 90300110 | 1 | Bakrem | Keilriemen, Rück | V-belt, reverse | Courroie |
| 316 | 90100662 | 1 | Stålmøtrik | Mutter | Nut | Ecrou |
| 317 | 90000058 | 2 | Splitbolt | Steckbolzen | Cotter bolt | Boulon à goupille |
| 318 | 90000948 | 1 | Jordspyd | Bremssporn | Depth skid | Chevetre |
| 319 | 90102743 | 1 | Sætskrue | Schraube | Screw | Vis |
| 320 | 90000057 | 2 | Split | Federsplint | Cotter pin | Goupille |
| 321 | 90122401 | 3 | Flangeskrue | Schraube | Screw | Vis |
| 322 | 90307707 | 1 | Yderskærm, H. | Schutzdach, R. | Guard, right | Plaque prot. G. |
| 323 | 90180950 | 3 | Flangemøtrik | Mutter | Nut | Vis |
| 324 | 90000950 | 1 | Knivskærm - gul | Schutzdach Gelb | Sheet - yellow | Plaque - jaune |
| | 90000953 | 1 | Knivskærm - rød | Schutzdach - Rot | Sheet - red | Plaque - rouge |
| 325 | 90102726 | 2 | Sætskrue | Schraube | Screw | Vis |
| 326 | 90102309 | 2 | Planskive | Planscheibe | Washer | Rondelle |
| 327 | 90628569 | 1 | Advarsels label | Warndreieck Kle. | Warning label | Attention marque |
| 328 | 90628569 | 1 | Advarsels label | Warndreieck Kle. | Warning label | Attention marque |
| 329 | 90102195 | 2 | Låseskive | Federscheibe | Lock washer | Rondelle frein |
| 330 | 90100661 | 2 | Stålmøtrik | Mutter | Nut | Vis |
| 331 | 90122618 | 1 | Torx nøgle | Torx Schlüssel | Torx spanner | Clef à vis - Torx |
| 332 | 90122401 | 3 | Flangeskrue | Schraube | Screw | Vis |
| 333 | 90307708 | 1 | Yderskærm, V. | Schutzdach, L. | Guard, left | Plaque prot. D. |
| 334 | 90180950 | 3 | Flangemøtrik | Mutter | Nut | Vis |



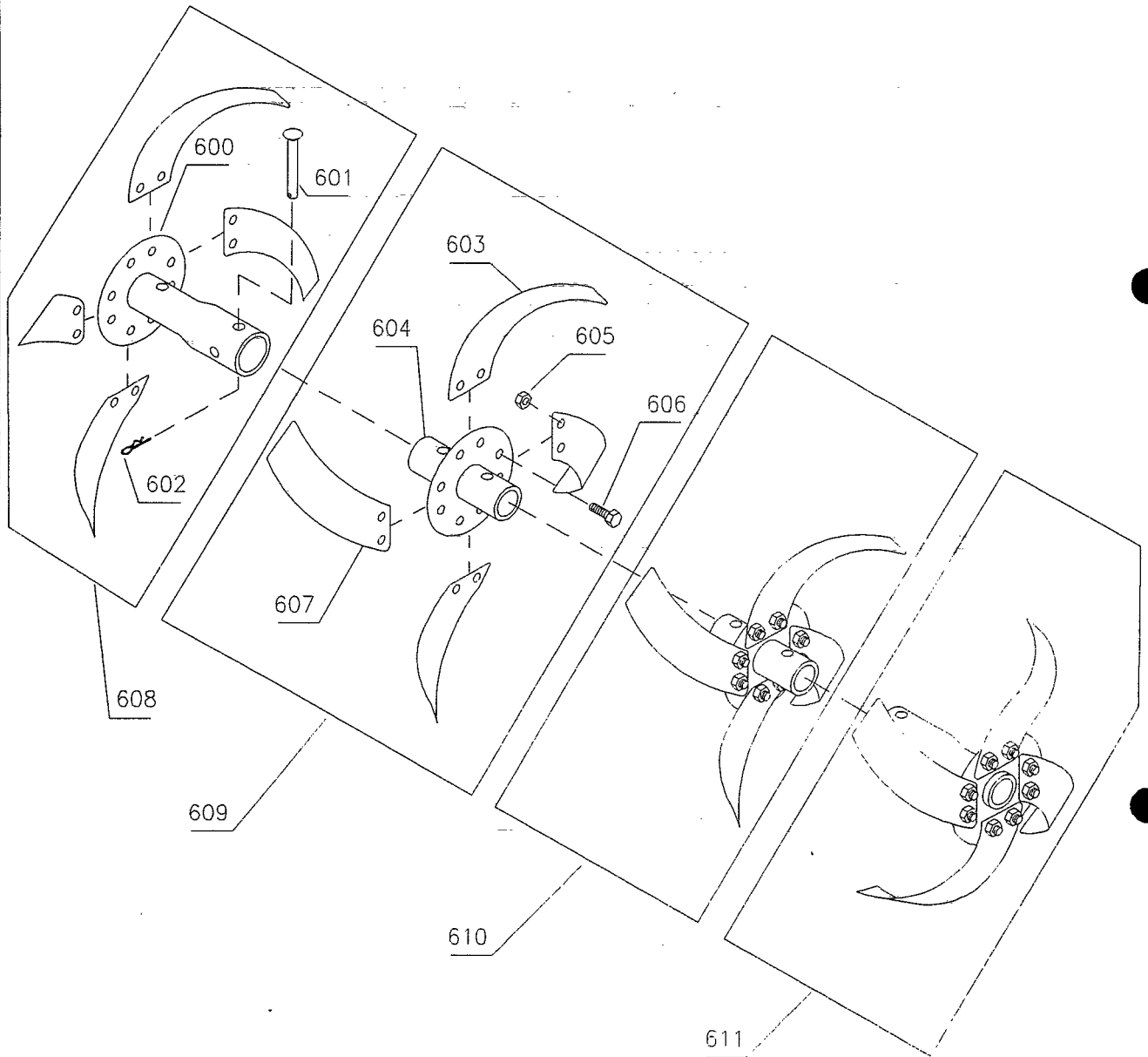
Model Futura 2001

| Illustration G | | Kædekasse | | Getriebe | Chain case | Cater de transmission |
|----------------|----------|-----------|-------------------|--------------------|--------------------|-----------------------|
| Nr. | Best nr. | Stk | Beskrivelse DK | Bezeichnung D | Description GB | Description F |
| 400 | 90000323 | 1 | Plastprop | Stopfen | Plug | Bouchon |
| 401 | 90000324 | 1 | Bøsning for prop | Buchse | Bushing for plug | Entrtoise |
| 402 | 90102729 | 1 | Sætskrue | Schraube | Screw | Vis |
| 403 | 90102195 | 1 | Låseskive | Federscheibe | Lock washer | Rondelle frein |
| 404 | 90102729 | 1 | Sætskrue | Schraube | Screw | Vis |
| 405 | 90102195 | 1 | Låseskive | Federscheibe | Lock Washer | Rondelle frein |
| 406 | 90000064 | 1 | Dæksel | Abdeckung | Cover for case | Couverc. de cater |
| 407 | 90000424 | 1 | Pakning | Dichtung | Gasket for case | Joint de cater |
| 408 | 90307690 | 1 | Kabelholder | Seilhalter | Cabelholder | Cercle |
| 409 | 90000936 | 1 | Kædek. kpl. – gul | Kettenk. Kpl. Gelb | Chain c.cpl yellow | Cater T.cpl. jaune |
| | 90000939 | 1 | Kædek. kpl. – rød | Kettenk. Kpl. Rot | Chain c. cpl. –red | Cater T.cpl. rouge |
| 410 | 90201190 | 1 | Nåleleje | Nadellager | Needle bearing | Palier à aiguilles |
| 411 | 90101620 | 1 | Olietætningsring | Dichtungsring | Oil seal | Joint SPI |
| 412 | 90102310 | 1 | Planskive | Planscheibe | Washer | Rondelle |
| 413 | 90100220 | 1 | 6. kant skrue | Schraube | Screw | Vis |
| 414 | 90101610 | 1 | Olietætningsring | Dichtungsring | Oil seal | Joint SPI |
| 415 | 90102615 | 1 | Seegering | Sprengring | Circlips | Circlip |
| 416 | 90200222 | 1 | Kugleleje | Kugellager | Ball bearing | Roulem. à billes |
| 417 | 90000023 | 1 | Afstandsbøs | Buchse | Bushing | Entretoise |
| 418 | 90104480 | 1 | Rørstift | Spannstift | Pin | Vis de serrage |
| 419 | 90104430 | 1 | Rørstift | Spannstift | Pin | Vis de serrage |
| 420 | 90000021 | 1 | Indgangsaksel kpl | Welle Kpl. | Shaft cpl. | Arbre de roue |
| 421 | 90000029 | 1 | Afstandsbøs | Buchse | Bushing | Entretoise |
| 422 | 90200222 | 1 | Kugleleje | Kugellager | Ball bearing | Roulem. à billes |
| 423 | 90102615 | 1 | Seegering | Sprengring | Circlips | Circlip |
| 424 | 90101610 | 1 | Olietætningsring | Dichtungsring | Oil seal | Joint SPI |
| 425 | 90000125 | 1 | Øverste kæde | Kette | Chain | Chaîne |
| 426 | 90201050 | 1 | Nåleleje | Nadellager | Needle bearing | Palier à aiguilles |
| 427 | 90000432 | 1 | Afstandsbøs | Buchse | Bushing | Entretoise |
| 428 | 90000032 | 1 | Kædehjul | Kettenrad | Chain wheel | Roue à chaîne |
| 429 | 90000033 | 1 | Afstandsbøs | Buchse | Bushing | Entretoise |
| 430 | 90102310 | 1 | Planskive | Planscheibe | Washer | Rondelle |
| 431 | 90100692 | 1 | Stålmøtrik | Mutter | Lock nut | Vis |
| 432 | 90201050 | 1 | Nåleleje | Nadellager | Needle bearing | Palier à aiguilles |
| 433 | 90000126 | 1 | Nederste kæde | Kette | Chain | Cahine |
| 434 | 90000046 | 1 | Pakning | Dichtung | Gasket for plug | Joint de carter |
| 435 | 90000047 | 1 | Bundprop | Bolzen | Drain plug | Vis |
| 436 | 90000042 | 1 | Kædehjul | Kettenrad | Chain wheel | Roue à chaîne |
| 437 | 90000045 | 1 | Udgangsaksel | Welle | Shaft | Arbre |
| 438 | 90201190 | 1 | Nåleleje | Nadellager | Needle bearing | Palier à aiguilles |
| 439 | 90101620 | 1 | Olietætningsring | Dichtungsring | Oil seal | Joint SPI |
| 440 | 90100303 | 1 | Pinolskrue | Schraube | Screw | Vis |
| 441 | 90306500 | 1 | Multifak 0,5L. | Multifak 0,5L. | Multifak 0,5L. | Multifak 0,5L. |



| Illustration I | | Støttehjul | | Stützrad | Support wheel | Roue de support |
|----------------|----------|------------|----------------|---------------|-------------------|-------------------|
| Nr. | Best.nr. | Stk | Beskrivelse DK | Bezeichnung D | Description GB | Description F |
| 500 | 90000456 | 1 | Hjulbøjle kpl. | Radgabel Kpl. | Support wheel cpl | Roue de sup. cpl |
| 501 | 90000057 | 3 | Split | Federstecker | Cotter pin | Goupille |
| 502 | 90100692 | 1 | Låsemøtrik | Mutter | Lock nut | Ecrou |
| 503 | 90102310 | 1 | Planskive | Planscheibe | Washer | Rondelle |
| 504 | 90000457 | 1 | Fjeder for lås | Feder | Spring | Ressort |
| 505 | 90000458 | 1 | Hjulbøjle | Radgabel | Wheel fork | Rouage |
| 506 | 90100666 | 2 | Stålmøtrik | Mutter | Nut | Ecrou |
| 507 | 90102202 | 2 | Låseskive | Federscheibe | Lock washer | Rondelle frein |
| 508 | 90304200 | 2 | Støttehjul | Stützrad | Support wheel | Roue de support |
| 509 | 90000051 | 2 | Hjulbøs | Buchse | Bushing | Entretoise |
| 510 | 90102314 | 2 | Planskive | Planscheibe | Washer | Rondelle |
| 511 | 90100973 | 2 | Stålbolt | Schraube | Screw | Vis |
| 512 | 90100375 | 3 | 6.kt. skrue | Schraube | Screw | Vis |
| 513 | 90000056 | 3 | Splitbolt | Bolzen | Cotter bolt | Boulon à goupille |

Model Futura 2001



| Illustration K | | Fræserknive | | Hacksatz | Set of rotors | Jeu cpl.de fraises |
|----------------|----------|-------------|---------------------|-------------------|----------------|--------------------|
| Nr. | Best.nr. | Stk | Beskrivelse DK | Bezeichnung D | Description GB | Description F |
| 600 | 90000012 | 2 | Yderknivrør | Messerrohr aus. | Tube - outer | Tupe |
| 601 | 90000007 | 4 | Splitbolt | Steckbolzen | Cotter bolt | Goupille |
| 602 | 90000057 | 4 | Split | Federstecker | Cotter pin | Goupille |
| 603 | 90000215 | 8 | Knivblad, venstre | Hackmesser L. | Knife left | Fraise gauche |
| 604 | 90000010 | 2 | Inderknivrør | Messerrohr inn. | Tube inner | Tupe |
| 605 | 90100721 | 32 | Møtrik | Mutter | Nut | Ecrou |
| 606 | 90103908 | 32 | Stålbolt | Bolzen | Bolt | Vis |
| 607 | 90000214 | 8 | Knivblad, højre | Hackmesser R. | Knife right | Fraise droite |
| 608 | 90000094 | 1 | Høj. yderkniv kpl. | Hackstern R. Kpl. | Rotor R. cpl. | Ens. fraises D. |
| 609 | 90000095 | 1 | Høj. inderkniv kpl. | Hackstern R. Kpl. | Rotor R. cpl. | Ens. fraises D. |
| 610 | 90000092 | 1 | Ven. inderkniv kpl. | Hackstern L. Kpl. | Rotor L. cpl. | Ens. fraises G. |
| 611 | 90000093 | 1 | Ven. yderkniv kpl. | Hackstern L. Kpl. | Rotor L. cpl. | Ens. fraises G. |