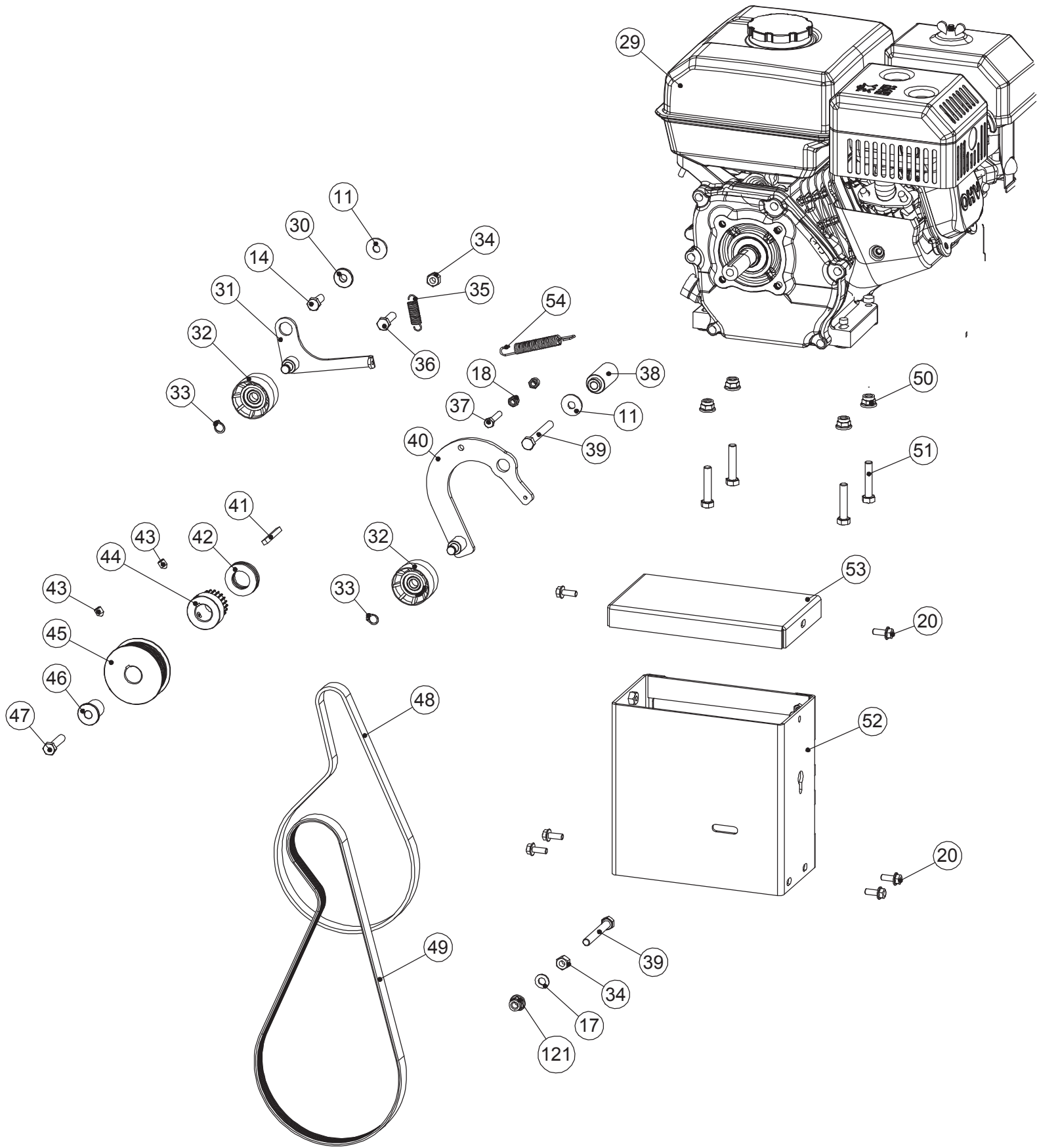
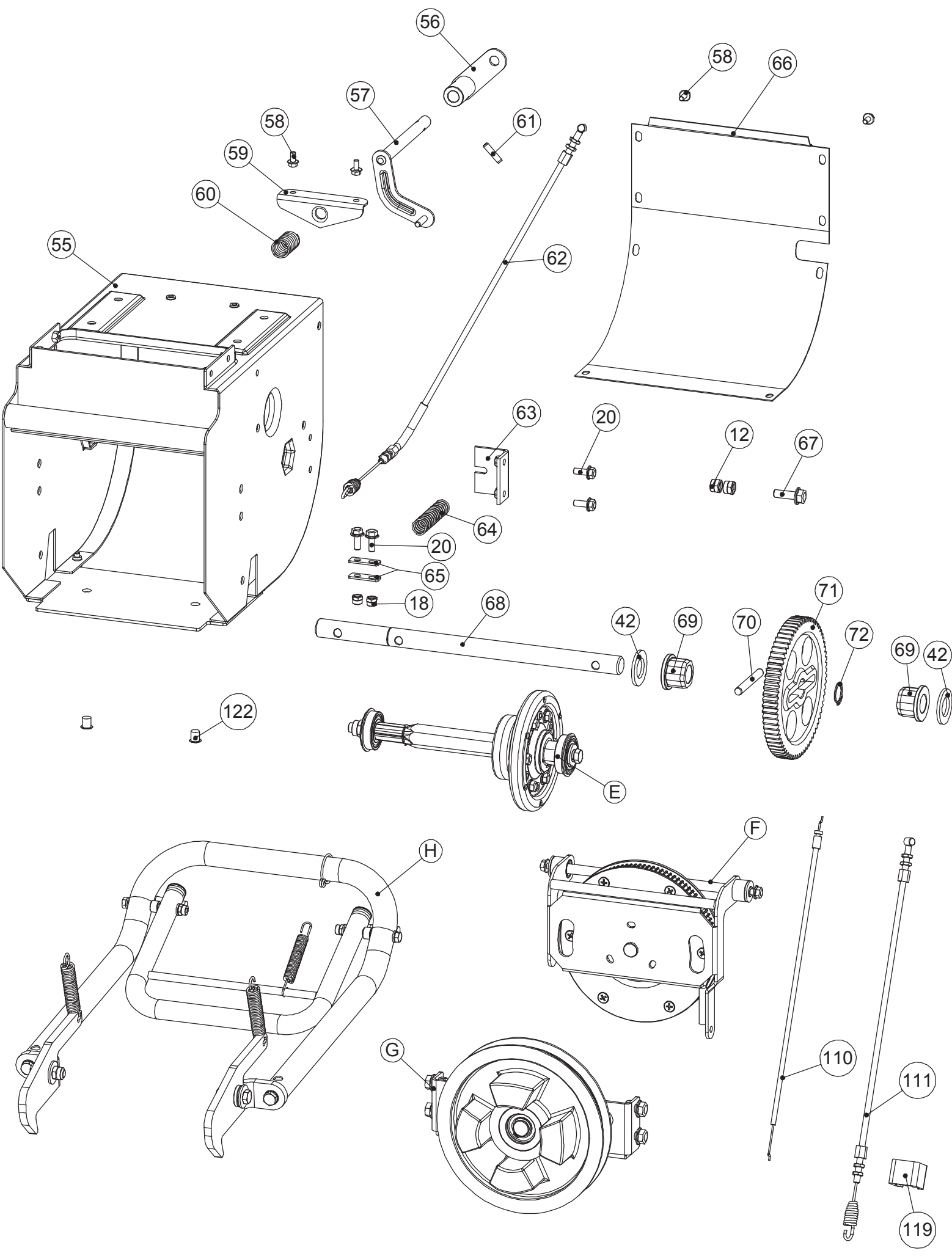


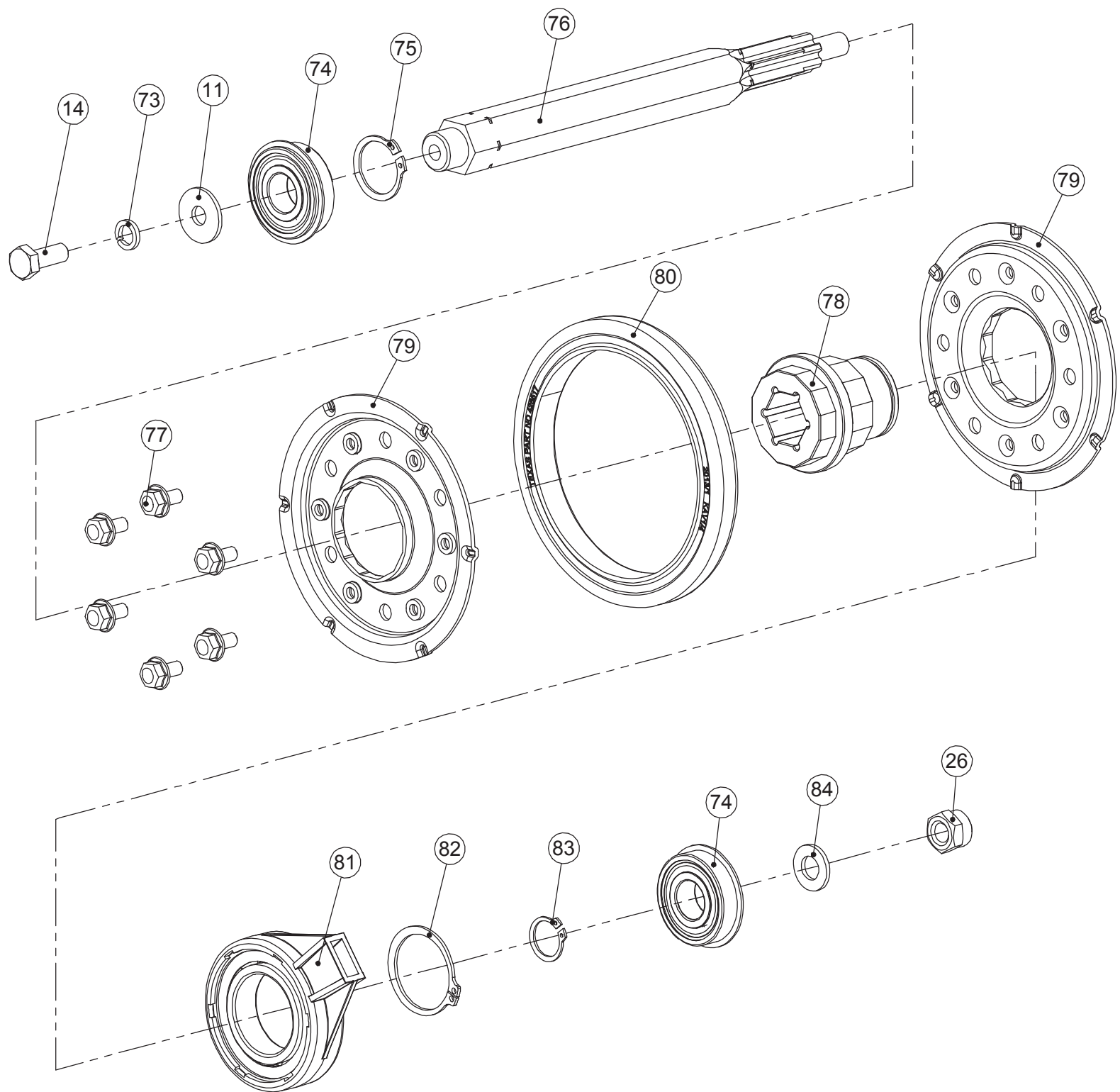
POS	QTY	PARTNUMBER	BESKRIVELSE	DESCRIPTION
B-1	1	423907	STYRRØR HØJRE	UPPER HANDLE RIGHT
B-2	1	423908	BRYSPLADE COMBI	DASHBOARD
B-3	1	423909	STYRRØR VENSTRE	UPPER HANDLE LEFT
B-4	1	425161	KOBLINGSGREB BØRSTE	CLUTCH HANDLE
B-5	2	414303	GUMMIHÅNDTAG	HANDLE
B-6	1	423910	GREB	SHIFT HANDLE GLOVE
B-7	1	423911	GEARVÆLGER	SHIFT HANDLE
B-8	1	423912	FJEDER	SHIFT TORQUE SPRING
B-9	2	90102482	SEEGERRING SORT U 12	RETAINER RING U 12
B-10	1	423913	ARM	SHIFT HANDLE ARM
B-11	1	90102310	PLANSKIVE M8 FZ	FACE PLATE M8 FZ
B-12	10	423914	LÅSEMØTRIK M8-8	LOCKING NUT M8-8
B-13	1	423915	STANG	SHIFT EXTEND ROD
B-14	5	423916	BOLT M8X20	BOLT M8*20-8.8
B-15	1	423917	FJEDERSKIVE A20	WASHER SPRING A 20
B-16	1	423918	GASHÅNDTAG	GAS HANDLE
B-17	3	423919	SKIVE 8	WASHER 8
B-19	1	423920	BASE	GAS LEVER BASE
B-20	2	423921	FLANGEBOLT M6X16	BOLT M6*16-8.8
B-21	8	423922	BOLT M8X40	BOLT M8*40-8.8
B-22	1	423923	STYREKUGLE HØJRE	JOINT BEARING SQ10C-RS
B-23	1	423924	MØTRIK M10	NUT M10-8
B-24	1	423925	MØTRIK M10-LH	NUT M10-LH-8
B-25	1	425284	STYREKUGLE VENSTRE	
B-26	2	420641	LÅSEMØTRIK M10	HEXAGON LOCK NUT M10
B-27	1	423926	STYRRØR NEDRE	LOWER HANDLE
B-28	4	423927	SKIVE M8	WASHER 8
B-84	1	423928	PLANSKIVE Ø10	WASHER 10
B-123	1	430047	KOBLINGSGREB	CLUCTH HANDLE ARROW



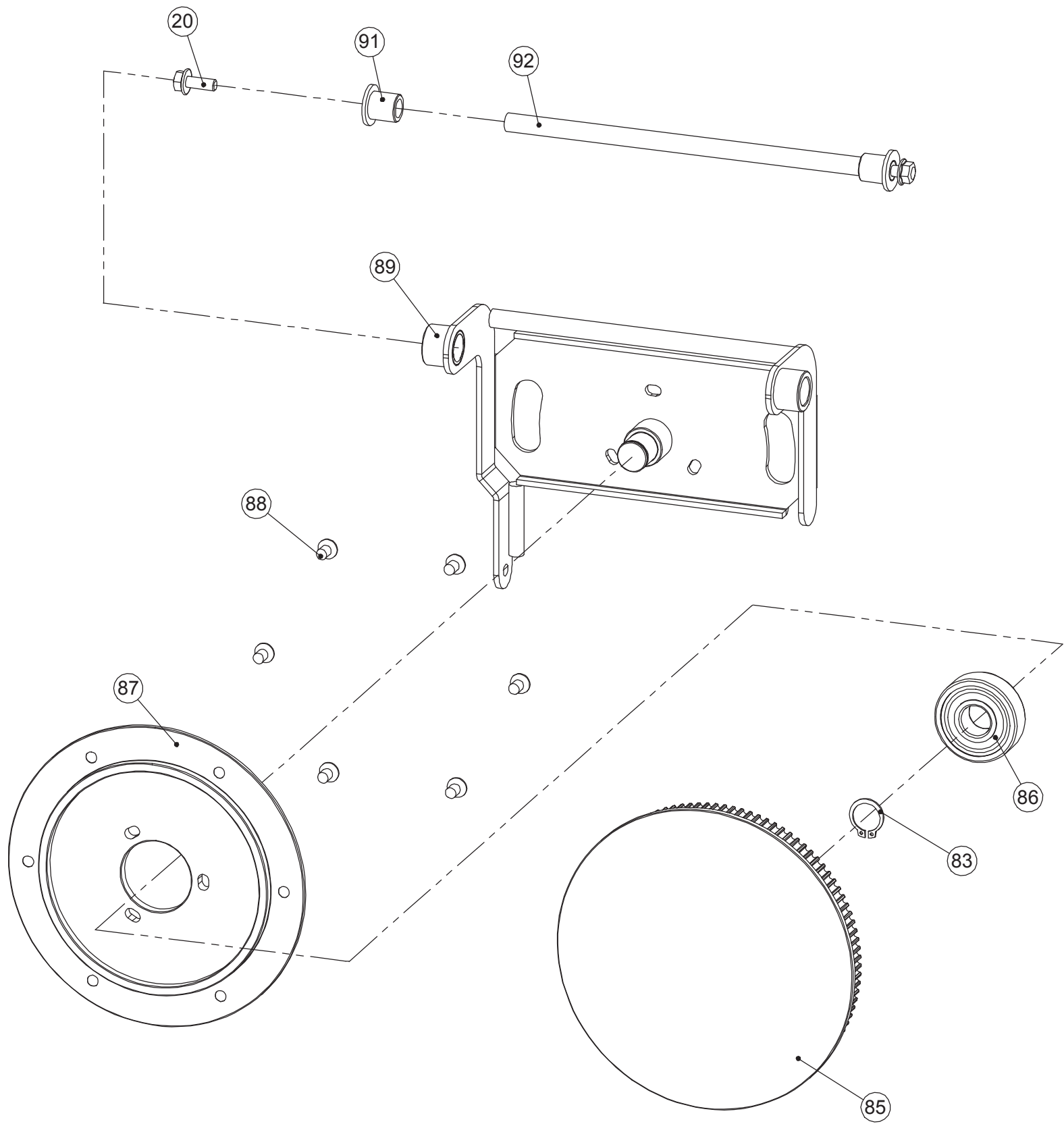
POS	QTY	PARTNUMBER	BESKRIVELSE	DESCRIPTION
C-11	2	90102310	PLANSKIVE M8 FZ	FACE PLATE M8 FZ
C-14	1	423916	BOLT M8X20	BOLT M8*20-8.8
C-17	1	423919	SKIVE 8	WASHER 8
C-18	2	423953	LÅSEMØTRIK M6	LOCKING NUT M6-8
C-20	6	423921	FLANGEBOLT M6X16	BOLT M6*16-8.8
C-29	1	TG720S-2	POWERLINE TG720S	
C-30	1	423929	BØS	DRIVING CLUTH BUSH
C-31	1	423930	REMSTRAMMERARM	DRIVING CLUTH ARM
C-32	2	423931	REMSTRAMME	TENSION PULLEY
C-33	2	423932	SEEGERRING 10	CIRCLIPS FOR SHAFT 10
C-34	2	423933	MØTRIK M8	NUT M8-8
C-35	1	423975	FJEDER	SPRING
C-36	1	423934	BOLT M8X30	BOLT M8*30-8.8
C-37	1	423935	BOLT M6X30	BOLT M6*30-8.8
C-38	1	423936	BØS PTO	PTO CLUTCH BUSH
C-39	2	423937	BOLT M8X65	BOLT M8*65-8.8
C-40	1	423938	ARM PTO	PTO CLUTCH ARM
C-41	1	423939	NOT 5*40	ENGINE PIN 5*40
C-42	3	423940	SKIVE	WASHER 20
C-43	4	423941	SKRUE M8X10 M8X10	SCREW WITH CONE POINT M8*10
C-44	1	423942	TANDHJUL	SMALL SYNCHRONIZED PULLEY
C-45	1	423943	REMSKIVE	SMALL V-RIB PULLEY
C-46	1	423944	BØS	PULLEY BUSH
C-47	1	423945	SKRUE	SCREW
C-48	1	423946	REM TRÆK	SYNCHRONIZED BELT
C-49	1	423947	REM FREM VENSTRE	V-RIB BELT
C-50	4	423948	STÅLMØTRIK M8	ENGINE NUT M8-8
C-51	4	423949	BOLT M8X40	ENGINE BOLT M8*40-8.8
C-52	1	423950	REMSKÆRM TG/B	BELT BOX
C-53	1	423951	REMSKÆRM	BELT BOX COVER
C-54	1	423952	FJEDER	SPRING
C-121	1	423948	STÅLMØTRIK M8	ENGINE NUT M8-8



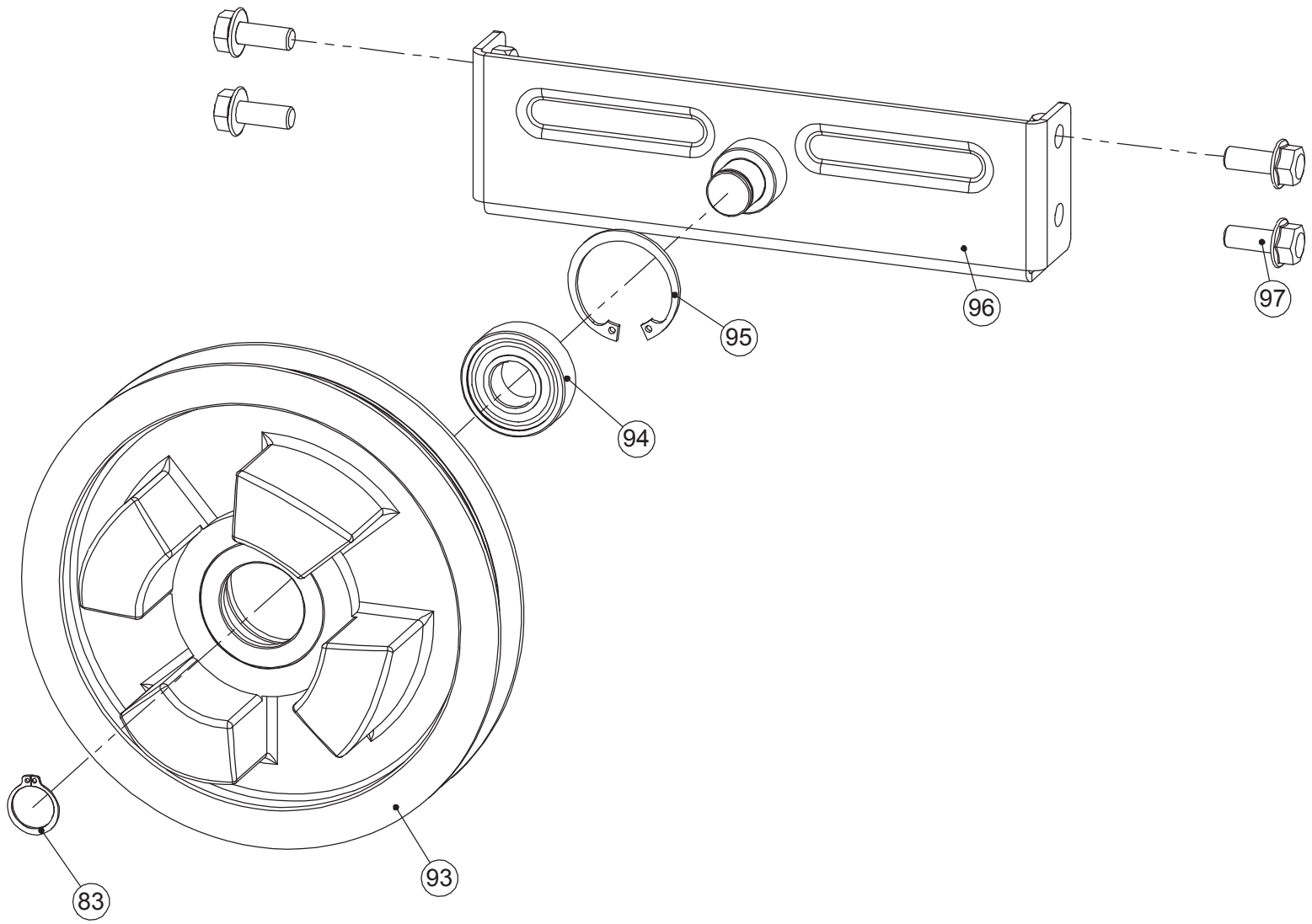
POS	QTY	PARTNUMBER	BESKRIVELSE	DESCRIPTION
E	1	430042	GEARHJUL KOMPLET	GEARWHEEL COMPLETE
G	1	430043	KOBLING KOMPLET	COUPLING COMPLETE
F	1	430044	VARIO SKIVE KOMPLET	VARIO DISK COMPLETE
D-12	4	423978	LÅSEMØTRIK M8	LOCKING NUT M8-8
D-18	2	90100691	LÅSEMØTRIK 8.8 M6	LOCKING NUT M6
D-20	4	423921	FLANGEBOLT M6X16	BOLT M6*16-8.8
D-42	2	423940	SKIVE	WASHER 20
D-55	1	423954	CHASSIS	CHASSIS
D-56	1	423955	ARM	SHIFT ARM
D-57	1	423956	ARM	SHIFT DRIVER
D-58	10	423957	BOLT M5X10	SCREW M5*10
D-59	1	423958	BESLAG	SHIFT DRIVER HOLDER
D-60	1	423959	FJEDER	SPRING
D-61	1	423960	PIN 6X25	SPRING PIN 6*25
D-62	1	423961	KABEL	DRIVE CABLE
D-63	1	423962	KABELHOLDER FREMDRIFT	DRIVE CABLE HOLDER
D-64	1	423963	FJEDER	SPRING
D-65	2	423964	KABELHOLDER	CABLE HOLDER
D-66	1	423965	DÆKSEL	CHASSIS COVER
D-67	2	423966	BOLT M8X25	BOLT M8*25-8.8
D-68	1	423967	AKSEL	WHEEL SHAFT
D-69	2	423968	BØS	WHEEL BUSH
D-70	1	423969	PIN 8X65	PIN 8*65
D-71	1	423970	TANDHJUL	BIGGER GEAR
D-72	1	423971	SEEGERRING 19	CIRCLIPS FOR SHAFT 19
D-110	1	423973	KABEL GAS	GAS CABLE
D-111	1	423974	KABEL 1460	PTO CABLE
D-119	2	423976	HOLDER	PLASTIC CABLE HOLDER
D-120	2	423977	HÆTTE M6	M6 NUT COVER
D-122	2	430052	PROP	



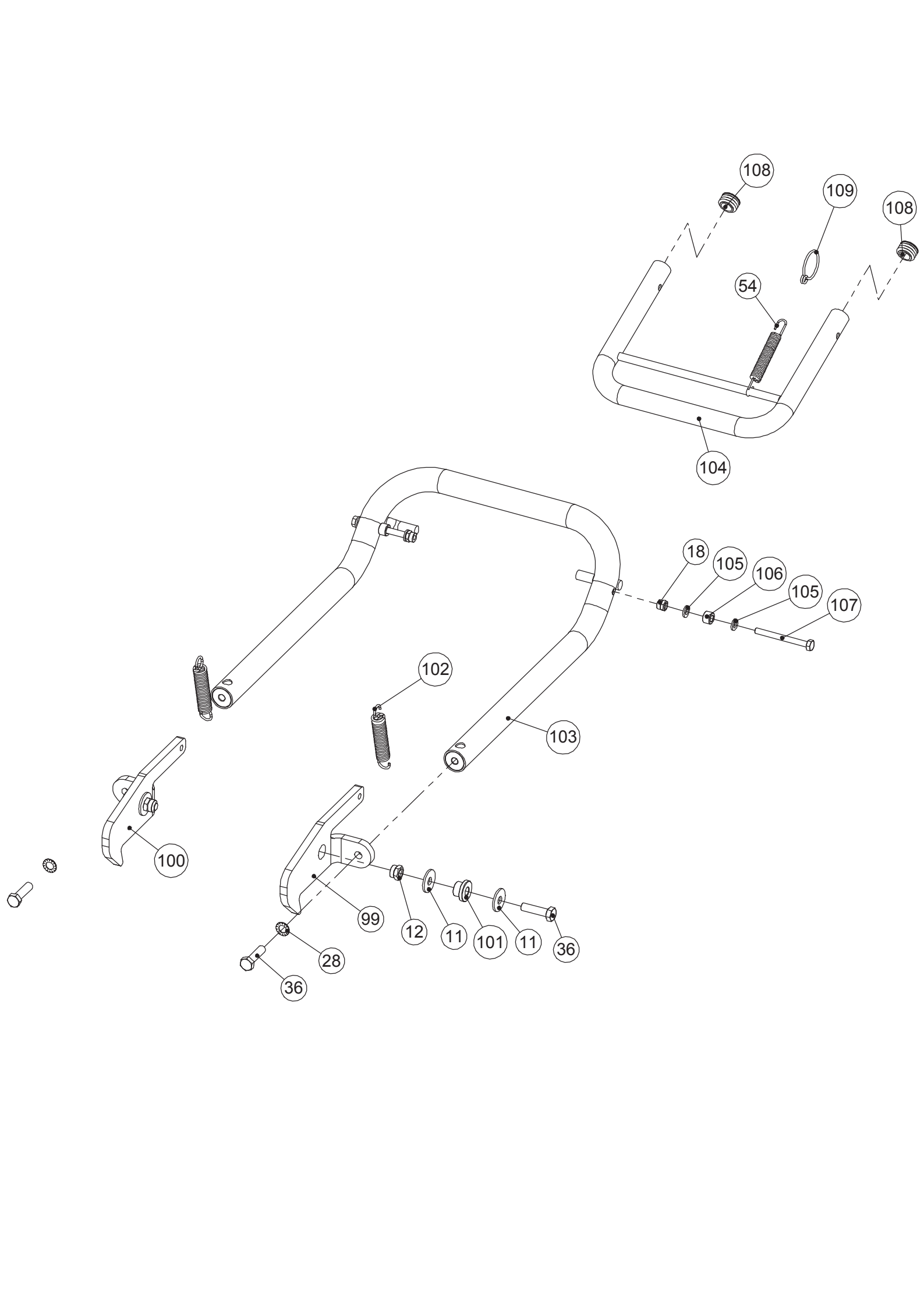
POS	QTY	PARTNUMBER	BESKRIVELSE	DESCRIPTION
E	1	430042	GEARHJUL KOMPLET	GEARWHEEL COMPLETE
E-11	1	90102310	PLANSKIVE M8 FZ	FACE PLATE M8 FZ
E-14	1	423916	BOLT M8X20	BOLT M8*20-8.8
E-26	1	420641	LÅSEMØTRIK M10	HEXAGON LOCK NUT M10
E-73	1	423979	FJEDERSKIVE 8	SPRING WASHER 8
E-74	2	423980	LEJE 6203-2RSH-NR	BEARING 6203-2RSH-NR
E-75	1	423981	SEEGERRING 25	CIRCLIPS FOR SHAFT 25
E-76	1	423982	AKSEL TIL GEARHJUL	SMALL GEAR COMPLETE
E-77	6	423983	FLANGEBOLT M6X14	BOLT M6*14-8.8
E-78	1	423984	GEAR	SHIFT BUSH
E-79	2	423985	GEAR SKIVE	RUBBER RING RIB
E-80	1	428517	GUMMI RING COMBI 800 SBT-75	RUBBER RING SBT-75
E-81	1	423987	LEJE	SHIFT BEARING
E-82	1	423988	SEEGERRING 35	CIRCLIPS FOR SHAFT 35
E-83	1	423989	SEEGERRING 17	CIRCLIPS FOR SHAFT 17
E-84	1	423928	PLANSKIVE Ø10	WASHER 10



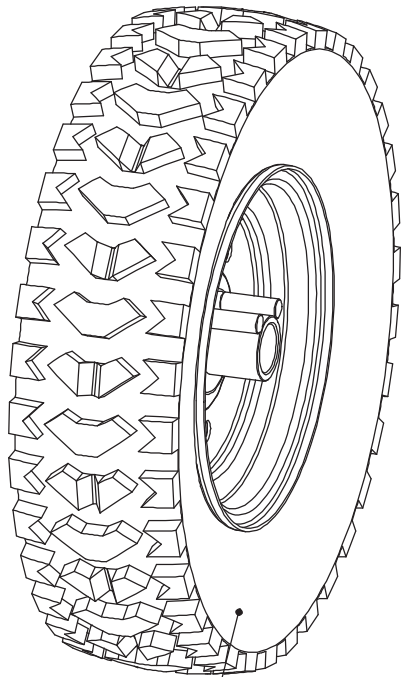
POS	QTY	PARTNUMBER	BESKRIVELSE	DESCRIPTION
F	1	430044	VARIO SKIVE KOMPLET	VARIO DISK COMPLETE
F-85	1	423990	VARIOSKIVE	VARIO DISC
F-86	1	90200228	KUGLELEJE 6203RS 40X17X12	BALL BEARING 6203RS 40X17X12
F-87	1	423991	VARIOSKIVE	VARIO DISC PLATE
F-88	6	423992	BOLT M6X10	SCREW M6*10-8.8
F-89	1	423993	BESLAG FOR VARIO	VARIO DISC BRAKET
F-91	2	430044	VARIO SKIVE KOMPLET	VARIO DISK COMPLETE
F-92	1	423995	AKSEL	VARIO DIS SWING SHAFT
F-20	2	423921	FLANGEBOLT M6X16	BOLT M6*16-8.8
F-83	1	423989	SEEGERRING 17	CIRCLIPS FOR SHAFT 17



POS	QTY	PARTNUMBER	BESKRIVELSE	DESCRIPTION
G-83	1	423989	SEEGERRING 17	CIRCLIPS FOR SHAFT 17
G-93	1	423996	REMSKIVE	BIGGER V-RIB PULLEY
G-94	1	423980	LEJE 6203-2RSH-NR	BEARING 6203-2RSH-NR
G-95	1	423997	SEEGERRING 40	CIRCLIPS FOR HOLE 40
G-96	1	423998	BESLAG FOR REMSKIVE	BIGGER V-RIB PULLEY BRAKET
G-97	4	423999	BOLT M8X20	BOLT M8*20-8.8



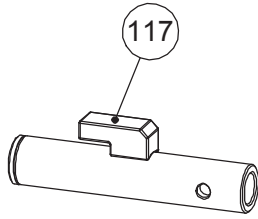
POS	QTY	PARTNUMBER	BESKRIVELSE	DESCRIPTION
H-11	4	90102310	PLANSKIVE M8 FZ	FACE PLATE M8 FZ
H-12	2	423978	LÅSEMØTRIK M8	LOCKING NUT M8-8
H-18	2	423953	LÅSEMØTRIK M6	LOCKING NUT M6-8
H-28	2	423927	SKIVE M8	WASHER 8
H-36	4	423934	BOLT M8X30	BOLT M8*30-8.8
H-54	1	423952	FJEDER	SPRING
H-99	1	424000	STYRBESLAG VENSTRE VENSTRE	HOOK LEFT
H-100	1	424001	STYRBESLAG HØJRE HØJRE	HOOK RIGHT
H-101	2	424002	KRAVE	HOOK BUSH
H-102	2	424003	FJEDER	HOOK SPRING
H-103	1	424004	FODPEDAL	FOOT LEVER
H-104	1	424005	STØTTE PEDAL	SUPPORT LEG
H-105	4	424006	SKIVE 6	WASHER 6
H-106	2	424007	BØS	SUPPORT LEG BUSH
H-107	2	424008	BOLT M6X65	BOLT M6*65-8.8
H-108	2	424009	PROP 20	?20 TUBE PLUG
H-109	1	424010	CLIPS	CLIPS



124

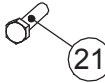
114

113

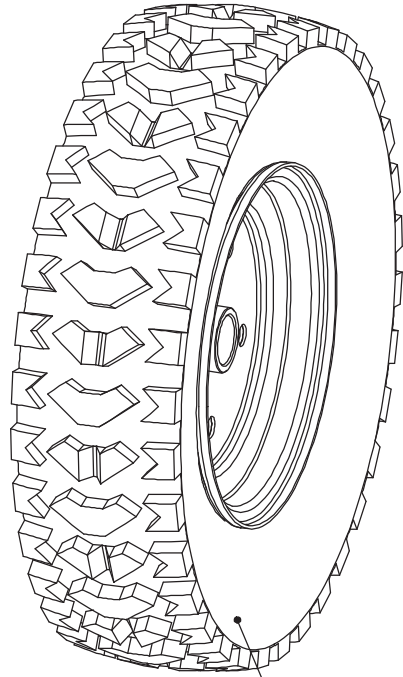
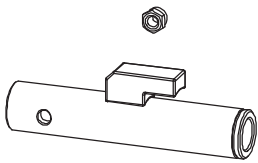


117

12



21



112



POS	QTY	PARTNUMBER	BESKRIVELSE	DESCRIPTION
I-112	1	424011	HJUL,KOMPLET 4,80-8	WHEEL 4,80-8
I-112A	1	430046	DÆK VENSTRE	TYRE VENSTRE
I-113	1	424012	HJUL,KOMPL. 4,80-8, HØJRE	WHEEL 4,80-8, HØJRE
I-113A	1	430045	DÆK HØJRE	TYRE HØJRE
I-114	2	424013	SKIVE Ø30	WASHER Ø30
I-117	2	424015	HJULAKSEL Ø30	WHEEL SHAFT Ø30
I-12	2	423978	LÅSEMØTRIK M8	LOCKING NUT M8
I-21	2	423922	BOLT M8X40	BOLT M8X40
I-124	2	90102500	LÅSERING U30	LOCKING RING U30