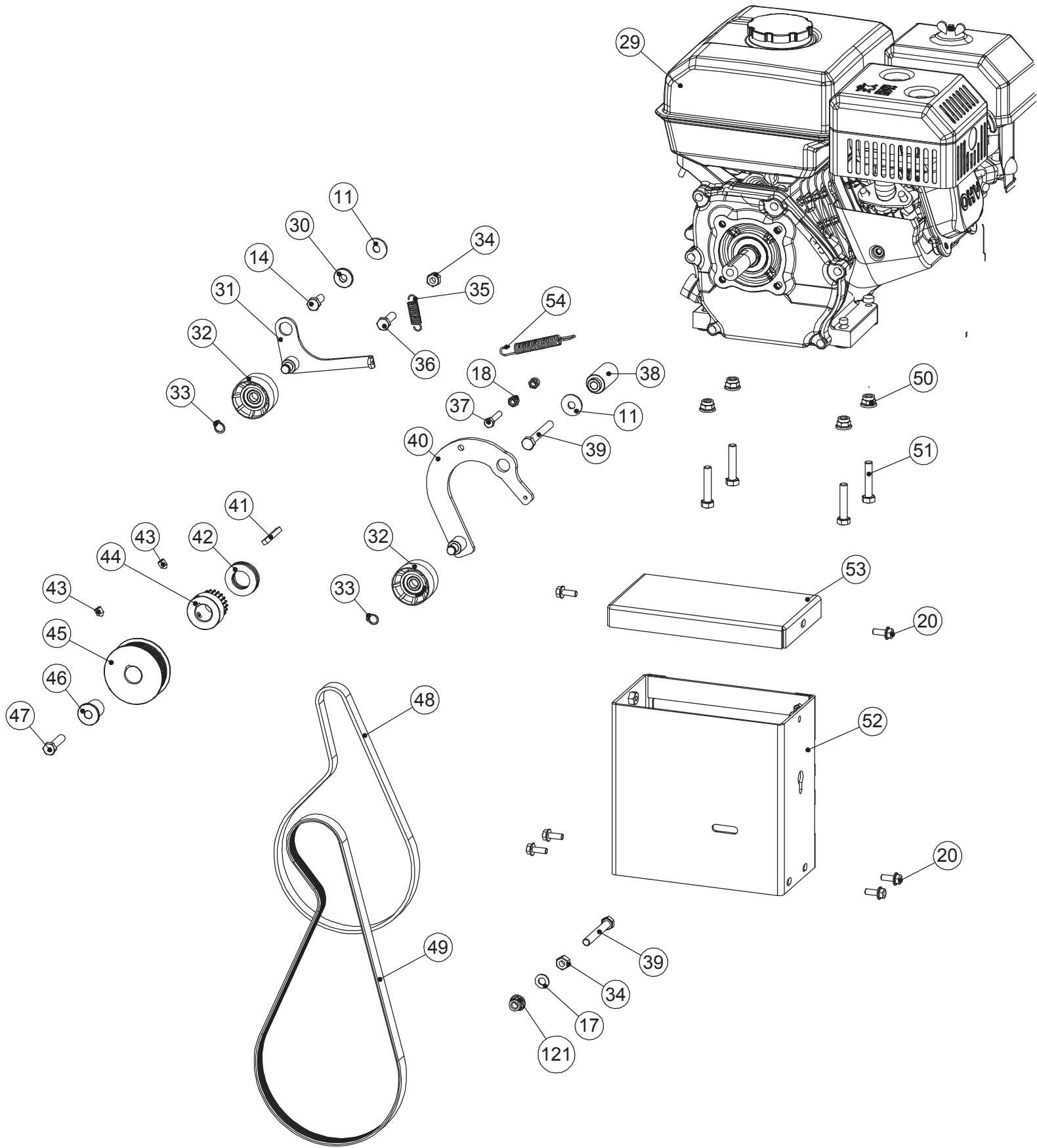
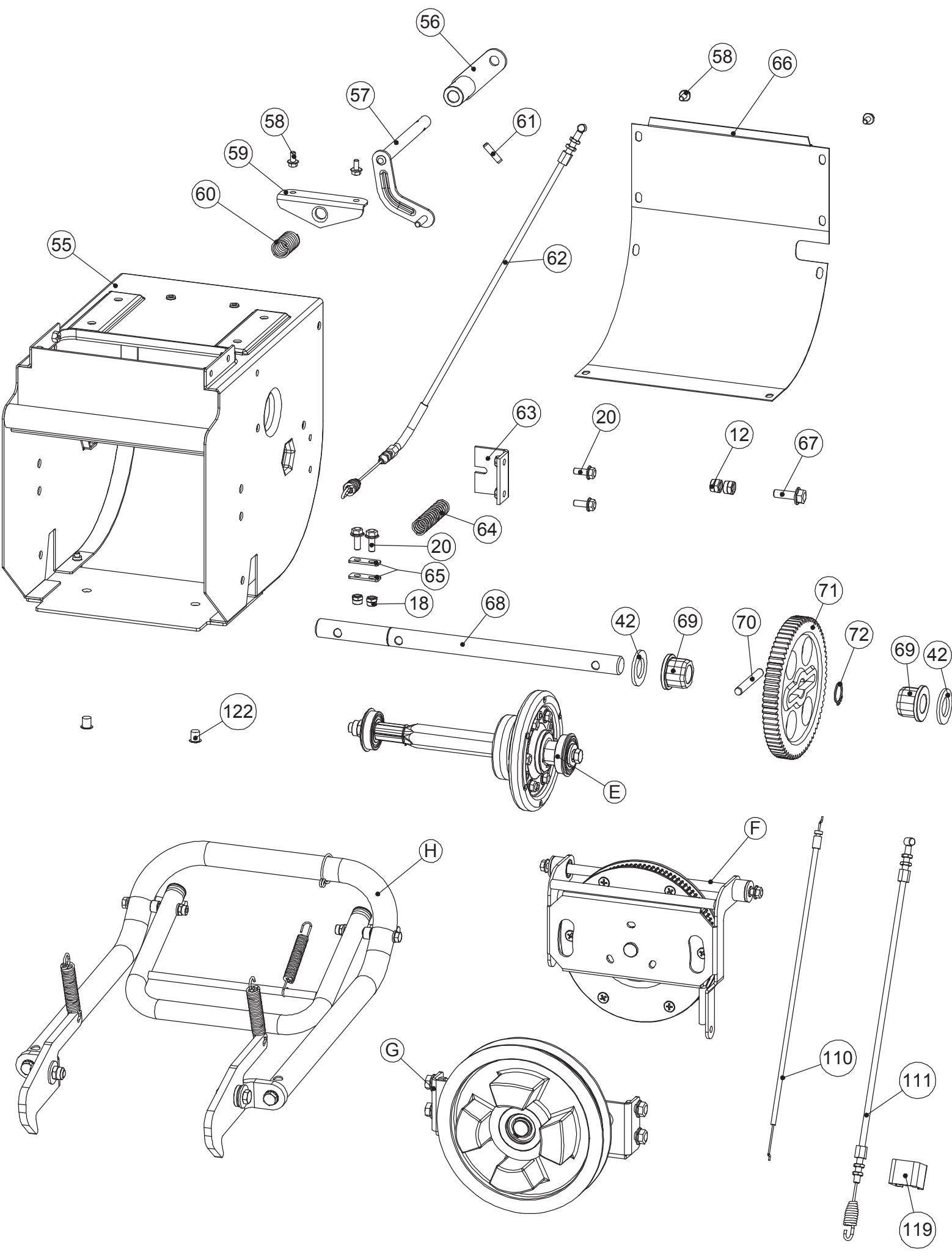


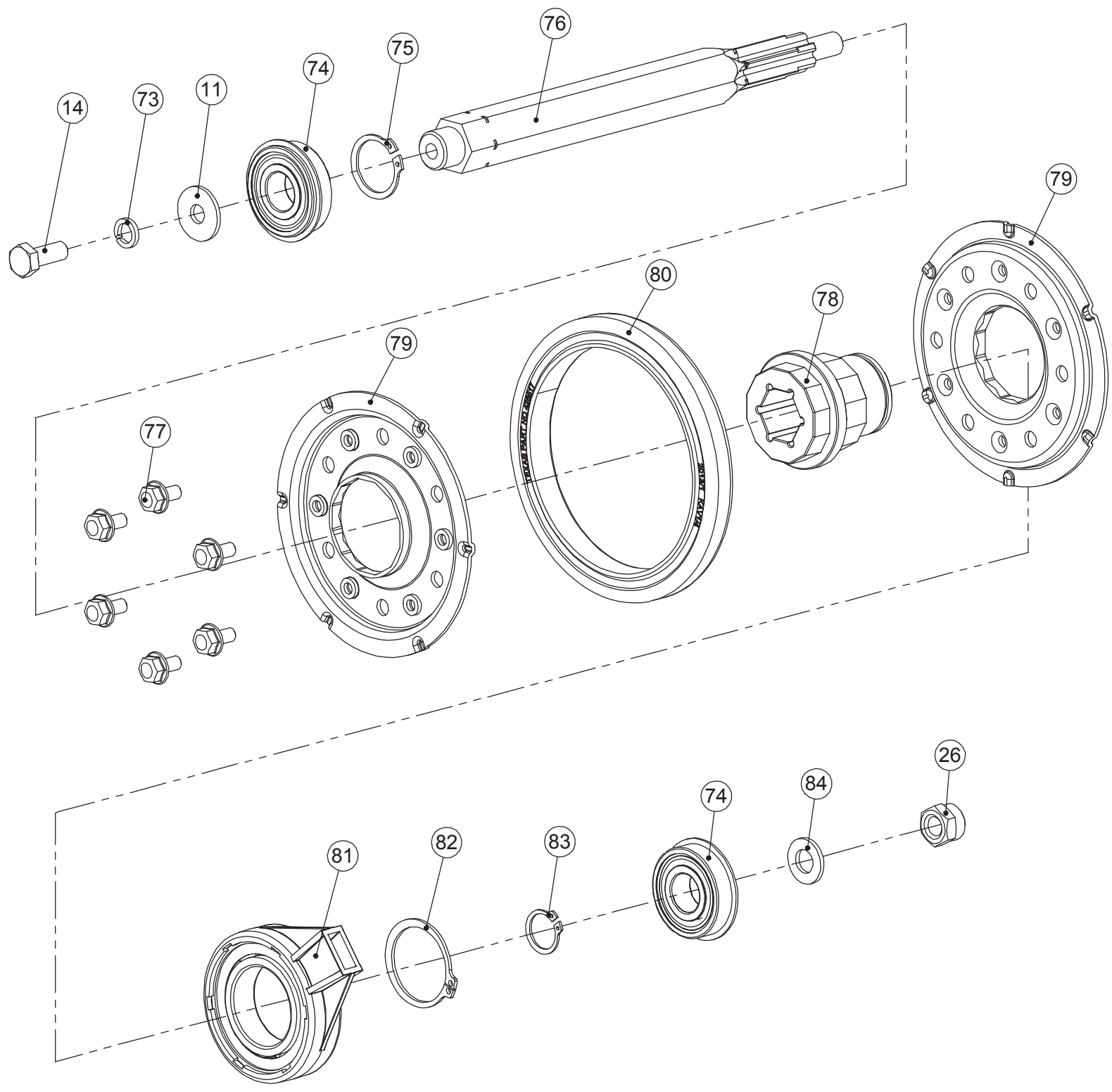
| POS | QTY | PARTNUMBER | BESKRIVELSE | DESCRIPTION |
|-------|-----|------------|----------------------|------------------------|
| B-1 | 1 | 423907 | STYRRØR HØJRE | UPPER HANDLE RIGHT |
| B-2 | 1 | 423908 | BRYSPLADE COMBI | DASHBOARD |
| B-3 | 1 | 423909 | STYRRØR VENSTRE | UPPER HANDLE LEFT |
| B-4 | 1 | 425161 | KOBLINGSGREB BØRSTE | CLUTCH HANDLE |
| B-5 | 2 | 414303 | GUMMIHÅNDTAG | HANDLE |
| B-6 | 1 | 423910 | GREB | SHIFT HANDLE GLOVE |
| B-7 | 1 | 423911 | GEARVÆLGER | SHIFT HANDLE |
| B-8 | 1 | 423912 | FJEDER | SHIFT TORQUE SPRING |
| B-9 | 2 | 90102482 | SEEGERRING SORT U 12 | RETAINER RING U 12 |
| B-10 | 1 | 423913 | ARM | SHIFT HANDLE ARM |
| B-11 | 1 | 90102310 | PLANSKIVE M8 FZ | FACE PLATE M8 FZ |
| B-12 | 10 | 423914 | LÅSEMØTRIK M8-8 | LOCKING NUT M8-8 |
| B-13 | 1 | 423915 | STANG | SHIFT EXTEND ROD |
| B-14 | 5 | 423916 | BOLT M8X20 | BOLT M8*20-8.8 |
| B-15 | 1 | 423917 | FJEDERSKIVE A20 | WASHER SPRING A 20 |
| B-16 | 1 | 423918 | GASHÅNDTAG | GAS HANDLE |
| B-17 | 3 | 423919 | SKIVE 8 | WASHER 8 |
| B-19 | 1 | 423920 | BASE | GAS LEVER BASE |
| B-20 | 2 | 423921 | FLANGEBOLT M6X16 | BOLT M6*16-8.8 |
| B-21 | 8 | 423922 | BOLT M8X40 | BOLT M8*40-8.8 |
| B-22 | 1 | 423923 | STYREKUGLE HØJRE | JOINT BEARING SQ10C-RS |
| B-23 | 1 | 423924 | MØTRIK M10 | NUT M10-8 |
| B-24 | 1 | 423925 | MØTRIK M10-LH | NUT M10-LH-8 |
| B-25 | 1 | 425284 | STYREKUGLE VENSTRE | |
| B-26 | 2 | 420641 | LÅSEMØTRIK M10 | HEXAGON LOCK NUT M10 |
| B-27 | 1 | 423926 | STYRRØR NEDRE | LOWER HANDLE |
| B-28 | 4 | 423927 | SKIVE M8 | WASHER 8 |
| B-84 | 1 | 423928 | PLANSKIVE Ø10 | WASHER 10 |
| B-123 | 1 | 430047 | KOBLINGSGREB | CLUCTH HANDLE ARROW |



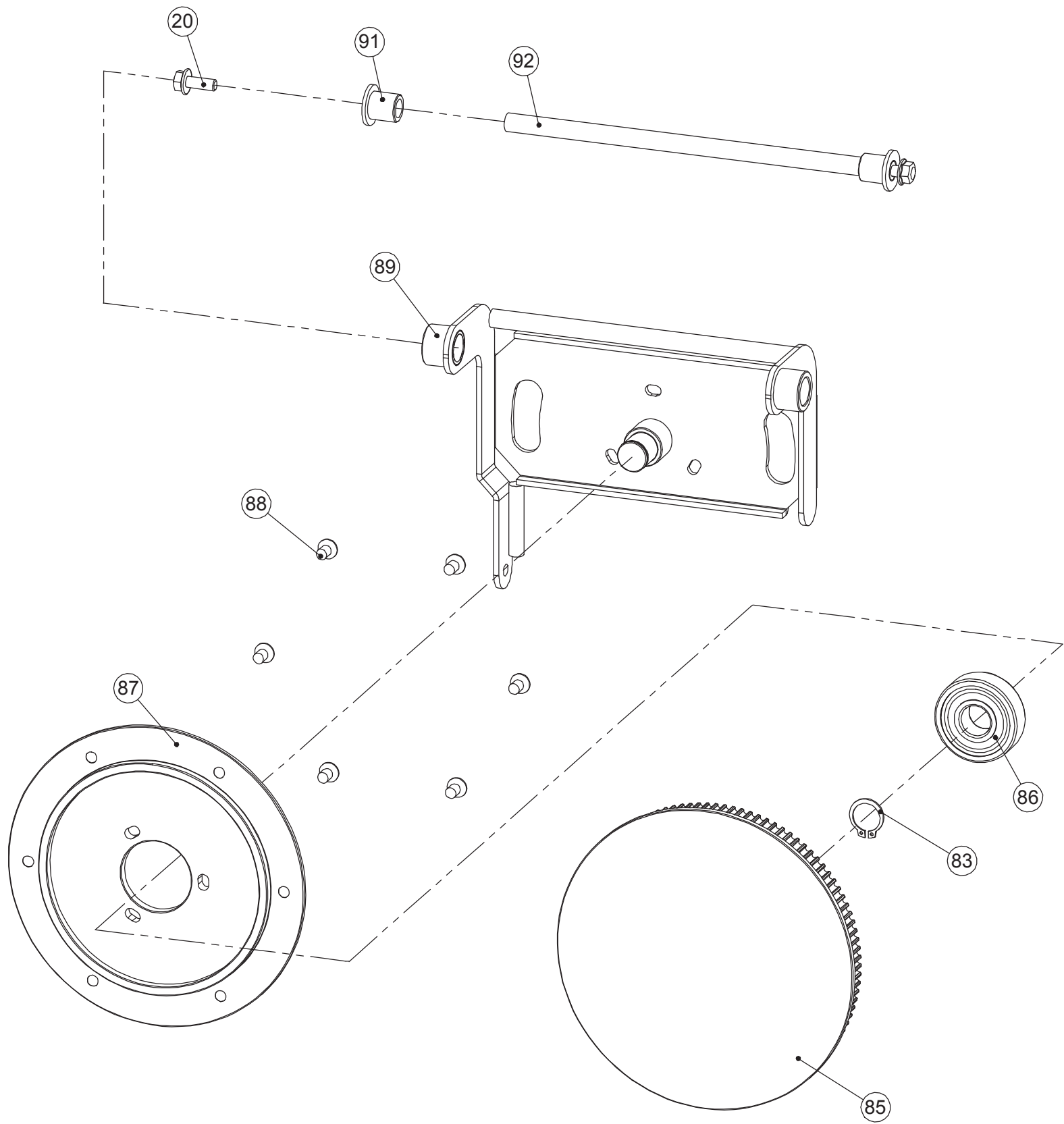
| POS | QTY | PARTNUMBER | BESKRIVELSE | DESCRIPTION |
|-------|-----|------------|-------------------|-----------------------------|
| C-11 | 2 | 90102310 | PLANSKIVE M8 FZ | FACE PLATE M8 FZ |
| C-14 | 1 | 423916 | BOLT M8X20 | BOLT M8*20-8.8 |
| C-17 | 1 | 423919 | SKIVE 8 | WASHER 8 |
| C-18 | 2 | 423953 | LÅSEMØTRIK M6 | LOCKING NUT M6-8 |
| C-20 | 6 | 423921 | FLANGEBOLT M6X16 | BOLT M6*16-8.8 |
| C-29 | 1 | TG720S-2 | POWERLINE TG720S | |
| C-30 | 1 | 423929 | BØS | DRIVING CLUTH BUSH |
| C-31 | 1 | 423930 | REMSTRAMMERARM | DRIVING CLUTH ARM |
| C-32 | 2 | 423931 | REMSTRAMME | TENSION PULLEY |
| C-33 | 2 | 423932 | SEEGERRING 10 | CIRCLIPS FOR SHAFT 10 |
| C-34 | 2 | 423933 | MØTRIK M8 | NUT M8-8 |
| C-35 | 1 | 423975 | FJEDER | SPRING |
| C-36 | 1 | 423934 | BOLT M8X30 | BOLT M8*30-8.8 |
| C-37 | 1 | 423935 | BOLT M6X30 | BOLT M6*30-8.8 |
| C-38 | 1 | 423936 | BØS PTO | PTO CLUTCH BUSH |
| C-39 | 2 | 423937 | BOLT M8X65 | BOLT M8*65-8.8 |
| C-40 | 1 | 423938 | ARM PTO | PTO CLUTCH ARM |
| C-41 | 1 | 423939 | NOT 5*40 | ENGINE PIN 5*40 |
| C-42 | 3 | 423940 | SKIVE | WASHER 20 |
| C-43 | 4 | 423941 | SKRUE M8X10 M8X10 | SCREW WITH CONE POINT M8*10 |
| C-44 | 1 | 423942 | TANDHJUL | SMALL SYNCHRONIZED PULLEY |
| C-45 | 1 | 423943 | REMSKIVE | SMALL V-RIB PULLEY |
| C-46 | 1 | 423944 | BØS | PULLEY BUSH |
| C-47 | 1 | 423945 | SKRUE | SCREW |
| C-48 | 1 | 423946 | REM TRÆK | SYNCHRONIZED BELT |
| C-49 | 1 | 423947 | REM FREM VENSTRE | V-RIB BELT |
| C-50 | 4 | 423948 | STÅLMØTRIK M8 | ENGINE NUT M8-8 |
| C-51 | 4 | 423949 | BOLT M8X40 | ENGINE BOLT M8*40-8.8 |
| C-52 | 1 | 423950 | REMSKÆRM TG/B | BELT BOX |
| C-53 | 1 | 423951 | REMSKÆRM | BELT BOX COVER |
| C-54 | 1 | 423952 | FJEDER | SPRING |
| C-121 | 1 | 423948 | STÅLMØTRIK M8 | ENGINE NUT M8-8 |



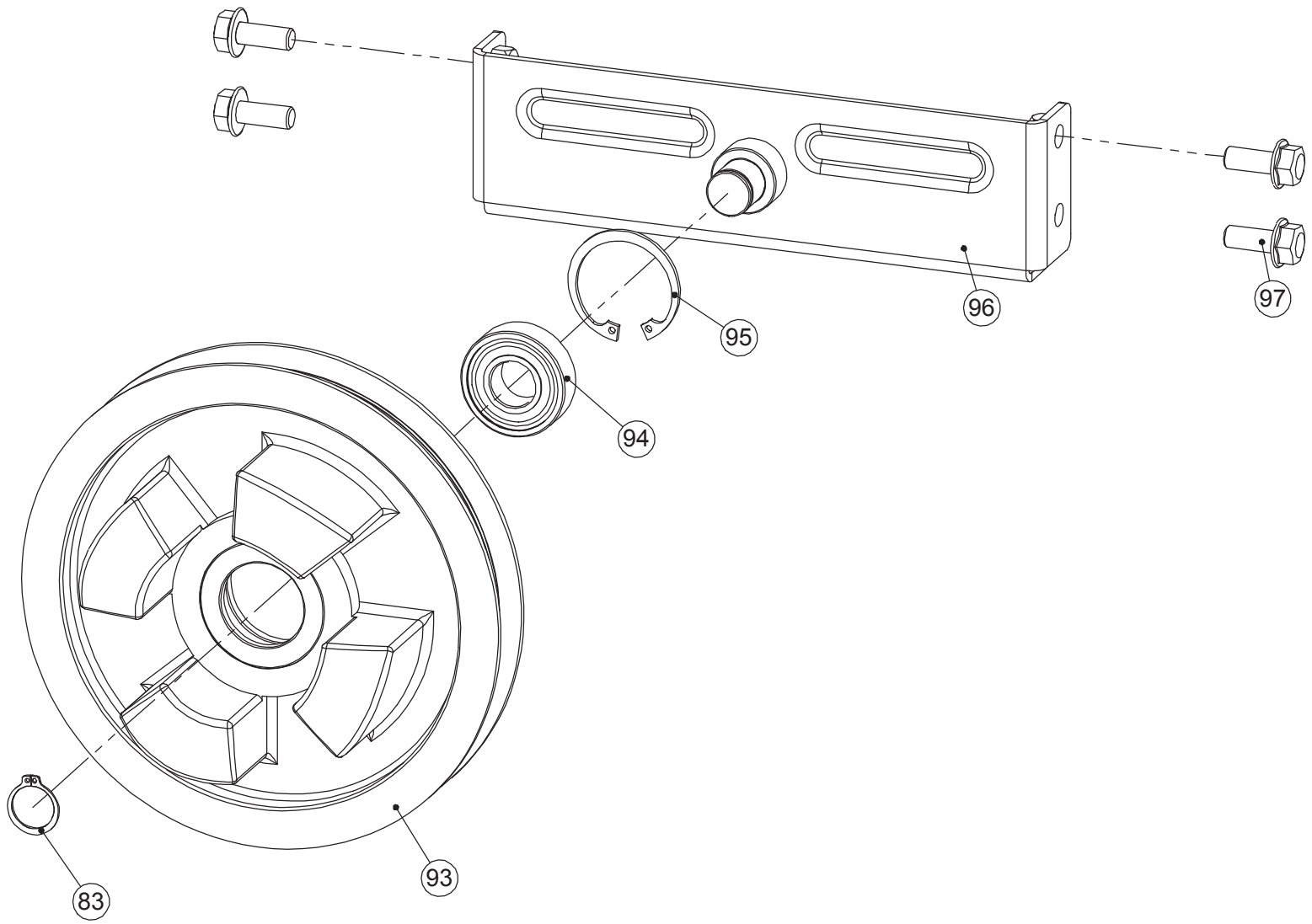
| POS | QTY | PARTNUMBER | BESKRIVELSE | DESCRIPTION |
|-------|-----|------------|-----------------------|-----------------------|
| E | 1 | 430042 | GEARHJUL KOMPLET | GEARWHEEL COMPLETE |
| G | 1 | 430043 | KOBLING KOMPLET | COUPLING COMPLETE |
| F | 1 | 430044 | VARIO SKIVE KOMPLET | VARIO DISK COMPLETE |
| D-12 | 4 | 423978 | LÅSEMØTRIK M8 | LOCKING NUT M8-8 |
| D-18 | 2 | 90100691 | LÅSEMØTRIK 8.8 M6 | LOCKING NUT M6 |
| D-20 | 4 | 423921 | FLANGEBOLT M6X16 | BOLT M6*16-8.8 |
| D-42 | 2 | 423940 | SKIVE | WASHER 20 |
| D-55 | 1 | 423954 | CHASSIS | CHASSIS |
| D-56 | 1 | 423955 | ARM | SHIFT ARM |
| D-57 | 1 | 423956 | ARM | SHIFT DRIVER |
| D-58 | 10 | 423957 | BOLT M5X10 | SCREW M5*10 |
| D-59 | 1 | 423958 | BESLAG | SHIFT DRIVER HOLDER |
| D-60 | 1 | 423959 | FJEDER | SPRING |
| D-61 | 1 | 423960 | PIN 6X25 | SPRING PIN 6*25 |
| D-62 | 1 | 423961 | KABEL | DRIVE CABLE |
| D-63 | 1 | 423962 | KABELHOLDER FREMDRIFT | DRIVE CABLE HOLDER |
| D-64 | 1 | 423963 | FJEDER | SPRING |
| D-65 | 2 | 423964 | KABELHOLDER | CABLE HOLDER |
| D-66 | 1 | 423965 | DÆKSEL | CHASSIS COVER |
| D-67 | 2 | 423966 | BOLT M8X25 | BOLT M8*25-8.8 |
| D-68 | 1 | 423967 | AKSEL | WHEEL SHAFT |
| D-69 | 2 | 423968 | BØS | WHEEL BUSH |
| D-70 | 1 | 423969 | PIN 8X65 | PIN 8*65 |
| D-71 | 1 | 423970 | TANDHJUL | BIGGER GEAR |
| D-72 | 1 | 423971 | SEEGERRING 19 | CIRCLIPS FOR SHAFT 19 |
| D-110 | 1 | 423973 | KABEL GAS | GAS CABLE |
| D-111 | 1 | 423974 | KABEL 1460 | PTO CABLE |
| D-119 | 2 | 423976 | HOLDER | PLASTIC CABLE HOLDER |
| D-120 | 2 | 423977 | HÆTTE M6 | M6 NUT COVER |
| D-122 | 2 | 430052 | PROP | |



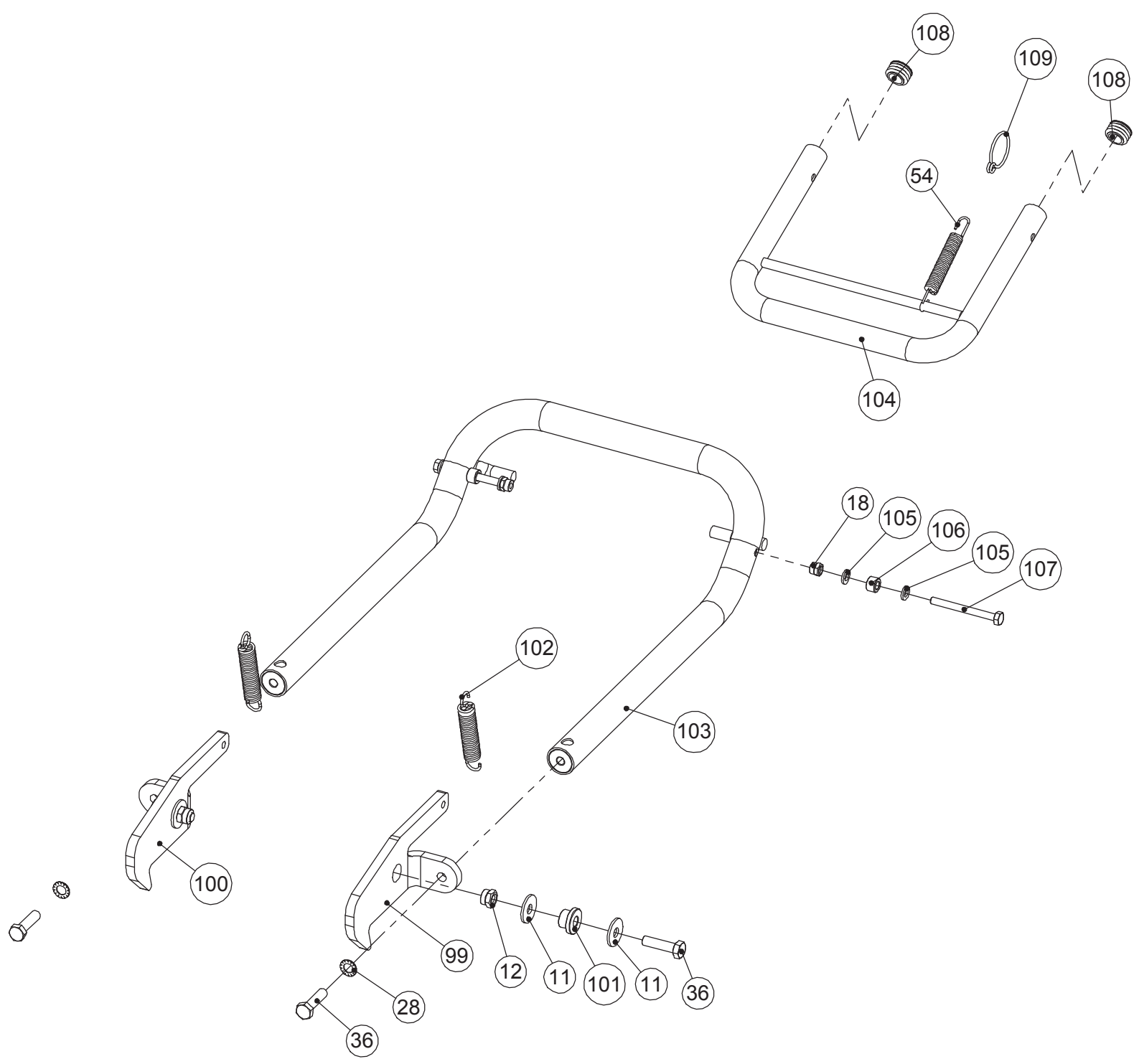
| POS | QTY | PARTNUMBER | BESKRIVELSE | DESCRIPTION |
|------|-----|------------|-----------------------------|-----------------------|
| E | 1 | 430042 | GEARHJUL KOMPLET | GEARWHEEL COMPLETE |
| E-11 | 1 | 90102310 | PLANSKIVE M8 FZ | FACE PLATE M8 FZ |
| E-14 | 1 | 423916 | BOLT M8X20 | BOLT M8*20-8.8 |
| E-26 | 1 | 420641 | LÅSEMØTRIK M10 | HEXAGON LOCK NUT M10 |
| E-73 | 1 | 423979 | FJEDERSKIVE 8 | SPRING WASHER 8 |
| E-74 | 2 | 423980 | LEJE 6203-2RSH-NR | BEARING 6203-2RSH-NR |
| E-75 | 1 | 423981 | SEEGERRING 25 | CIRCLIPS FOR SHAFT 25 |
| E-76 | 1 | 423982 | AKSEL TIL GEARHJUL | SMALL GEAR COMPLETE |
| E-77 | 6 | 423983 | FLANGEBOLT M6X14 | BOLT M6*14-8.8 |
| E-78 | 1 | 423984 | GEAR | SHIFT BUSH |
| E-79 | 2 | 423985 | GEAR SKIVE | RUBBER RING RIB |
| E-80 | 1 | 428517 | GUMMI RING COMBI 800 SBT-75 | RUBBER RING SBT-75 |
| E-81 | 1 | 423987 | LEJE | SHIFT BEARING |
| E-82 | 1 | 423988 | SEEGERRING 35 | CIRCLIPS FOR SHAFT 35 |
| E-83 | 1 | 423989 | SEEGERRING 17 | CIRCLIPS FOR SHAFT 17 |
| E-84 | 1 | 423928 | PLANSKIVE Ø10 | WASHER 10 |



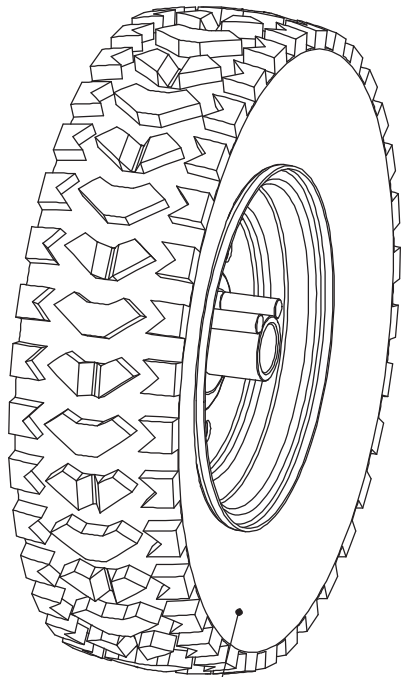
| POS | QTY | PARTNUMBER | BESKRIVELSE | DESCRIPTION |
|------|-----|------------|------------------------------|---------------------------------|
| F | 1 | 430044 | VARIO SKIVE KOMPLET | VARIO DISK COMPLETE |
| F-85 | 1 | 423990 | VARIOSKIVE | VARIO DISC |
| F-86 | 1 | 90200228 | KUGLELEJE 6203RS 40X17X12 | BALL BEARING 6203RS 40X17X12 |
| F-87 | 1 | 423991 | VARIOSKIVE | VARIO DISC PLATE |
| F-88 | 6 | 423992 | BOLT M6X10 | SCREW M6*10-8.8 |
| F-89 | 1 | 423993 | BESLAG FOR VARIO | VARIO DISC BRAKET |
| F-91 | 2 | 430044 | VARIO SKIVE KOMPLET | VARIO DISK COMPLETE |
| F-92 | 1 | 423995 | AKSEL | VARIO DIS SWING SHAFT |
| F-20 | 2 | 423921 | FLANGEBOLT M6X16 | BOLT M6*16-8.8 |
| F-83 | 1 | 423989 | SEEGERRING 17 | CIRCLIPS FOR SHAFT 17 |



| POS | QTY | PARTNUMBER | BESKRIVELSE | DESCRIPTION |
|------|-----|------------|---------------------|-------------------------------|
| G-83 | 1 | 423989 | SEEGERRING 17 | CIRCLIPS FOR SHAFT 17 |
| G-93 | 1 | 423996 | REMSKIVE | BIGGER V-RIB PULLEY |
| G-94 | 1 | 423980 | LEJE 6203-2RSH-NR | BEARING 6203-2RSH-NR |
| G-95 | 1 | 423997 | SEEGERRING 40 | CIRCLIPS FOR HOLE 40 |
| G-96 | 1 | 423998 | BESLAG FOR REMSKIVE | BIGGER V-RIB PULLEY BRAKET |
| G-97 | 4 | 423999 | BOLT M8X20 | BOLT M8*20-8.8 |



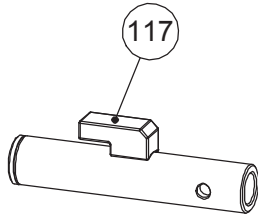
| POS | QTY | PARTNUMBER | BESKRIVELSE | DESCRIPTION |
|-------|-----|------------|-------------------------------|------------------|
| H-11 | 4 | 90102310 | PLANSKIVE M8 FZ | FACE PLATE M8 FZ |
| H-12 | 2 | 423978 | LÅSEMØTRIK M8 | LOCKING NUT M8-8 |
| H-18 | 2 | 423953 | LÅSEMØTRIK M6 | LOCKING NUT M6-8 |
| H-28 | 2 | 423927 | SKIVE M8 | WASHER 8 |
| H-36 | 4 | 423934 | BOLT M8X30 | BOLT M8*30-8.8 |
| H-54 | 1 | 423952 | FJEDER | SPRING |
| H-99 | 1 | 424000 | STYRBESLAG VENSTRE VENSTRE | HOOK LEFT |
| H-100 | 1 | 424001 | STYRBESLAG HØJRE HØJRE | HOOK RIGHT |
| H-101 | 2 | 424002 | KRAVE | HOOK BUSH |
| H-102 | 2 | 424003 | FJEDER | HOOK SPRING |
| H-103 | 1 | 424004 | FODPEDAL | FOOT LEVER |
| H-104 | 1 | 424005 | STØTTE PEDAL | SUPPORT LEG |
| H-105 | 4 | 424006 | SKIVE 6 | WASHER 6 |
| H-106 | 2 | 424007 | BØS | SUPPORT LEG BUSH |
| H-107 | 2 | 424008 | BOLT M6X65 | BOLT M6*65-8.8 |
| H-108 | 2 | 424009 | PROP 20 | ?20 TUBE PLUG |
| H-109 | 1 | 424010 | CLIPS | CLIPS |



124

114

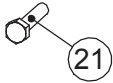
113



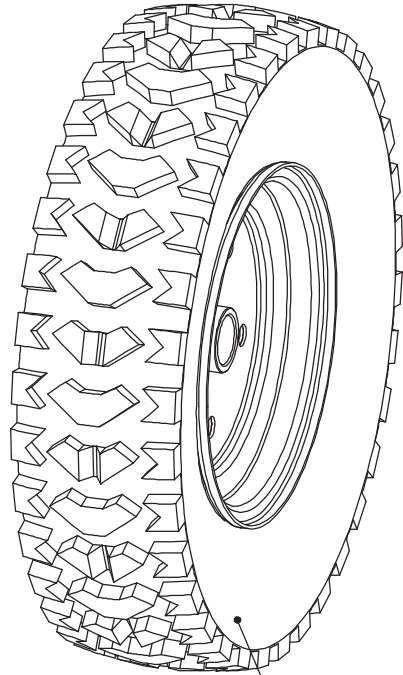
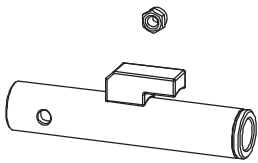
117



12



21



112



| POS | QTY | PARTNUMBER | BESKRIVELSE | DESCRIPTION |
|--------|-----|------------|----------------------|--------------------------------|
| I-12 | 2 | 423978 | LÅSEMØTRIK M8 | LOCKING NUT M8-8 |
| I-21 | 2 | 423922 | BOLT M8X40 | BOLT M8*40-8.8 |
| I-112 | 1 | 424011 | HJUL KOMPLET VENSTRE | WHEEL COMPLETE WITH TIRE LEFT |
| I-112A | 1 | 430046 | DÆK VENSTRE | TIRE FOR COMBI 800TG LEFT |
| I-113 | 1 | 424012 | HJUL KOMPLET HØJRE | WHEEL COMPLETE WITH TIRE RIGHT |
| I-113A | 1 | 430045 | DÆK HØJRE | TIRE FOR COMBI 800TG RIGHT |
| I-114 | 2 | 424013 | SKIVE 30 | WASHER 30 |
| I-117 | 2 | 424015 | HJULAKSEL | WHEEL DRIVER |
| I-124 | 2 | 90102611 | SEEGERRING SORT I 30 | RETAINER RING I 30 |