



PARTS LIST

RECIPROCATORS

SGC2300DL

SGC2300DW

APPLICABLE SERIAL NUMBERS:

DECEMBER 1994

DRIVE UNIT 504001 and up
ENGINE UNIT 500001 and up

Fig.1 DRIVE UNIT & ACCESSORIES—SGC2300DL

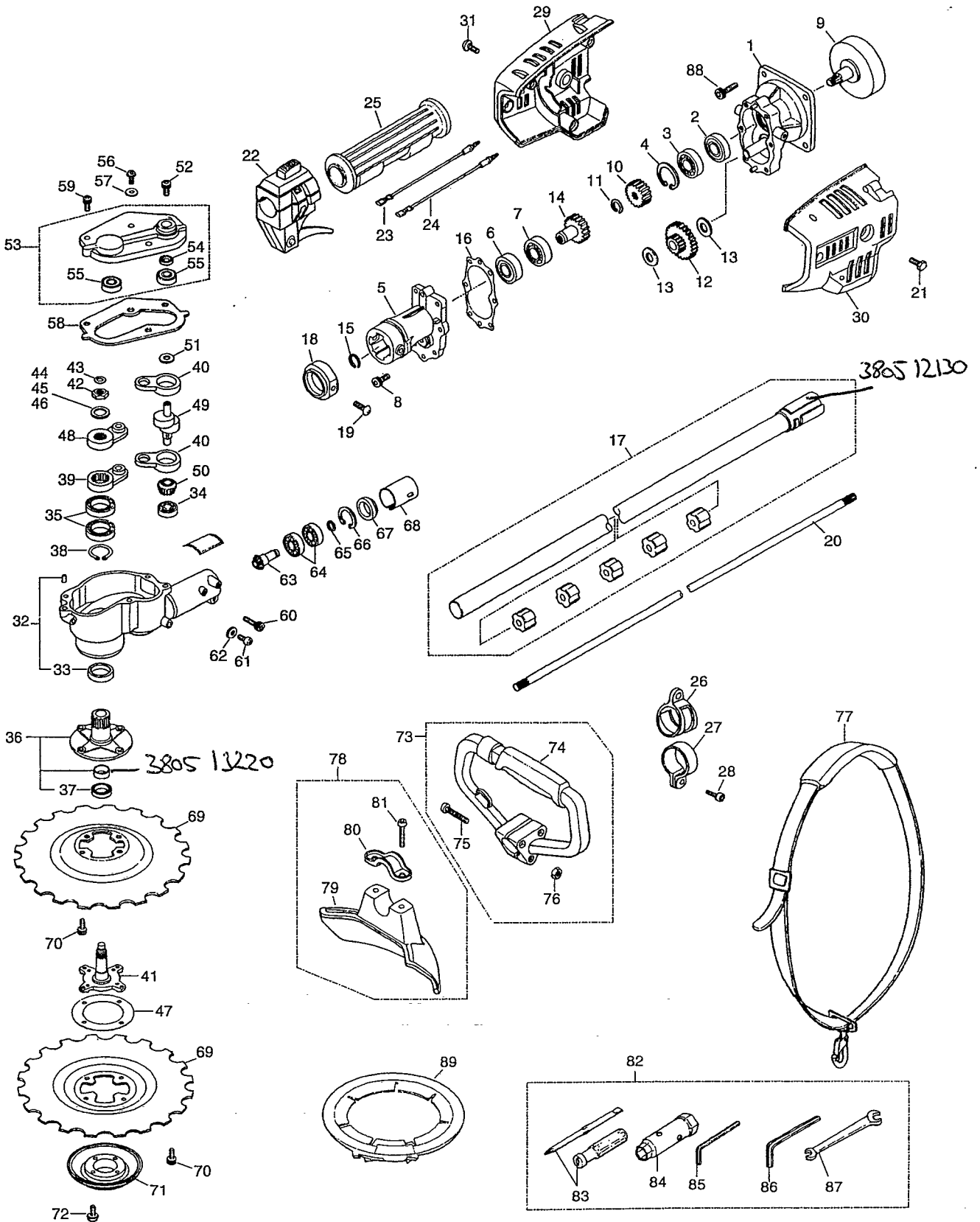


Fig.1 DRIVE UNIT & ACCESSORIES—SGC2300DL

Key#	PART NUMBER	DESCRIPTION	QTY /UNIT	NOTE	Key#	PART NUMBER	DESCRIPTION	QTY /UNIT	NOTE
1	3805-11101	CASE COMP, rear	1		61	0263-60514	SCREW	1	
2	06004-06001	BEARING	1		62	3805-13920	GASKET	1	
3	06000-06001	BEARING	1		63	3805-13930	PINION	1	
4	04065-02812	RING	1		64	06000-06000	BEARING	2	
5	3805-11211	CASE, front	1		65	3180-13330	RING	1	
6	06004-06001	BEARING	1		66	04065-02612	RING	1	
7	06000-06001	BEARING	1		67	3805-13940	PACKING	1	
8	01252-30520	BOLT	6		68	3805-13951	SPACER	1	
9	3805-11310	DRUM	1		69	3805-15111	BLADE	2	
10	3805-11320	GEAR, pinion	1		70	01252-40608	BOLT	8	
11	3180-13330	RING	1		71	3805-15140	STABILIZER	1	
12	3805-11331	GEAR	1		72	0263-30508	SCREW	4	
13	3805-11370	WASHER	2		73	3974-14300	HANDLE ASSY	1	
14	3805-11360	GEAR, wheel	1		74	3805-14311	HANDLE	1	
15	3130-13270	RING	1		75	0260-00530	SCREW	3	
16	3805-11411	GASKET	1		76	0280-10504	NUT	3	
17	3805-12100	PIPE COMP	1		77	6112-17201	STRAP ASSY	1	
18	3565-11341	CAP	1		78	3565-24000	GUARD ASSY	1	
19	0263-90510	SCREW	2		79	3565-24110	GUARD	1	
20	3805-12210	SHAFT	1		80	3520-24120	CLAMP	1	
21	0225-00608	BOLT	2		81	3540-24130	BOLT	2	
22	6041-12400	LEVER ASSY	1		82	3805-91000	TOOL SET	1	
23	6116-14420	CORD (A) , black	1		83	1030-91340	SCREWDRIVER	1	
24	6116-14430	CORD (B) , red	1		84	3144-91160	SOCKET	1	
25	3577-32140	GRIP	1		85	09007-00425	WRENCH	1	
26	6130-18101	HANGER	1		86	09007-00528	WRENCH	1	
27	6130-18200	CLAMP	1		87	3540-91120	SPANNER	1	
28	0263-90520	SCREW	1		88	0225-50616	BOLT	4	
29	3805-11511	COVER, right	1		89	6251-15910	COVER	1	
30	3805-11521	COVER, left	1						
31	2200-76210	SCREW	3						
32	3805-13102	CASE COMP	1						
33	3805-13130	SEAL	1						
34	06000-00608	BEARING	1						
35	06000-06804	BEARING	2						
36	3805-13200	SHAFT COMP	1						
37	3805-13230	SEAL	1						
38	04064-02012	RING	1						
39	3805-13412	ARM, lower	1						
40	3805-13432	CONROD	2						
41	3805-13510	SHAFT	1						
42	3805-13520	NUT	1						
43	3805-13560	SHIM	1						
44	3805-13550	SHIM, 0.3t	0/1						
45	3805-13570	SHIM, 0.2t	0/1						
46	3805-13580	SHIM, 0.1t	0/1						
47	3805-13590	SHIM	1						
48	3805-13612	ARM, upper	1						
49	3805-13711	CRANKSHAFT	1						
50	3805-13720	GEAR	1						
51	01641-20812	WASHER	1						
52	3805-13750	BOLT	1						
53	3805-13800	COVER COMP	1						
54	3805-13840	SEAL	1						
55	06002-00608	BEARING	2						
56	0263-00610	SCREW	1						
57	07005-00612	GASKET	1						
58	3805-13910	GASKET	1						
59	01252-40520	BOLT	3						
60	3805-13970	BOLT	1						

Fig.2 ENGINE UNIT-SGC2300DL

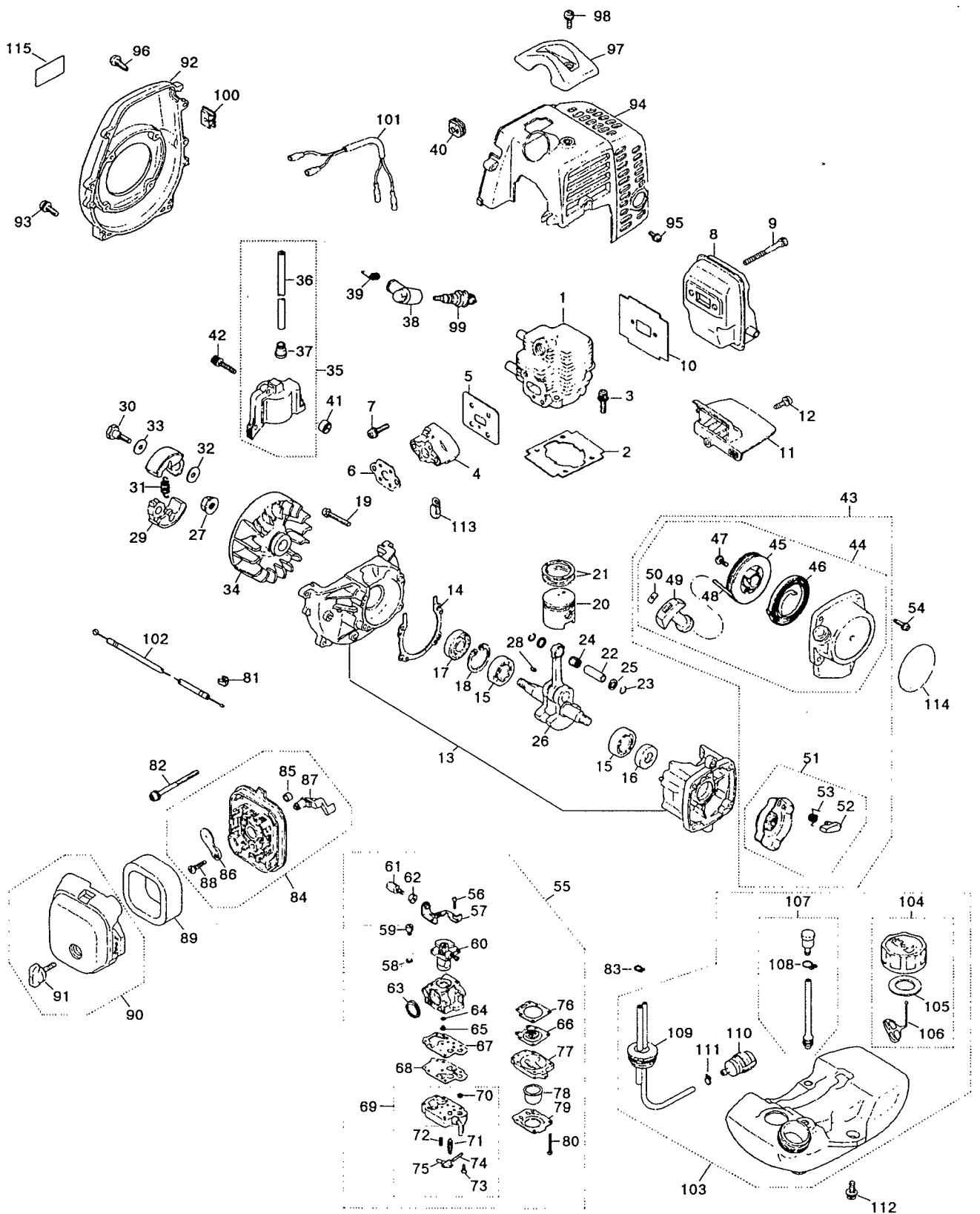
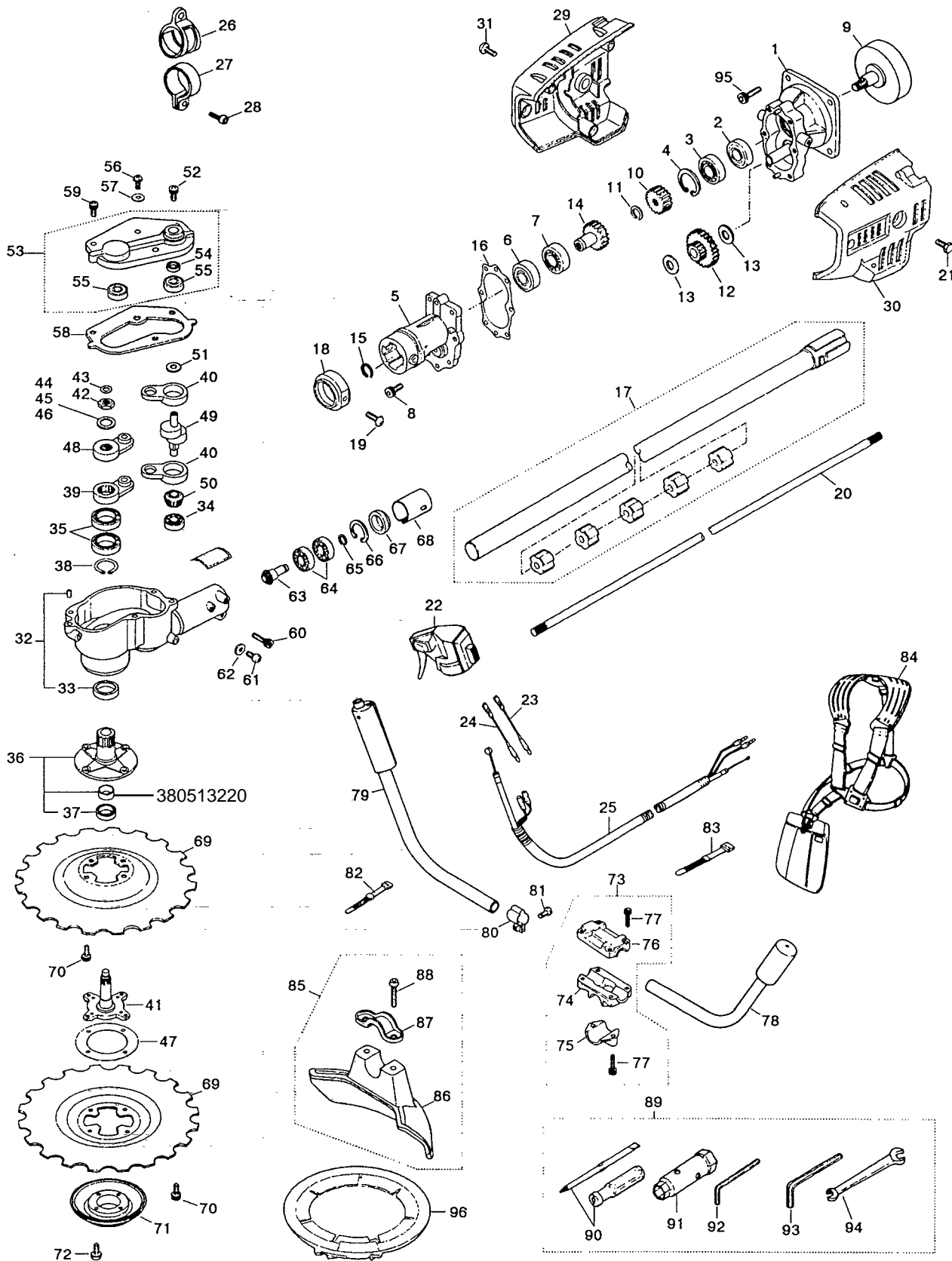


Fig.2 ENGINE UNIT—SGC2300DL

Key#	PART NUMBER	DESCRIPTION	QTY /UNIT	NOTE	Key#	PART NUMBER	DESCRIPTION	QTY /UNIT	NOTE
1	5500-12110	CYLINDER	1		61	1918-81170	SCREW	1	
2	5500-12210	GASKET	1		62	1751-81180	NUT	1	
3	1850-12130	BOLT	2		63	1881-81130	RING	1	
4	5500-13160	INSULATOR	1		64	1751-81240	O-RING	1	
5	5500-13120	GASKET	1		65	1065-81250	JET	1	
6	5500-13130	GASKET	1		66	3310-81260	DIAPHRAGM, metering	1	
7	0263-90520	SCREW	2		67	1065-81410	GASKET, pump	1	
8	5580-15110	MUFFLER	1		68	1065-81420	DIAPHRAGM, pump	1	
9	01252-30550	BOLT	2		69	1850-81450	BODY ASSY	1	
10	5500-15210	GASKET	1		70	3306-81380	SCREEN	1	
11	5500-15220	PLATE	1		71	3356-81310	VALVE	1	
12	0263-90416	SCREW	1		72	1850-81270	SPRING	1	
13	5500-21100	CRANKCASE COMP	1		73	1850-81220	SCREW	1	
14	5500-21140	GASKET	1		74	3310-81250	PIN	1	
15	06030-06001	BEARING	2		75	3310-81230	LEVER	1	
16	2169-21210	SEAL	1		76	1850-81470	GASKET	1	
17	1850-21220	SEAL	1		77	1850-81490	BODY, purge	1	
18	04065-02812	RING	1		78	1751-81510	PUMP, priming	1	
19	01252-30530	BOLT	4		79	1850-81520	COVER, pump	1	
20	1148-41110	PISTON	1		80	1850-81530	SCREW	4	
21	1850-41210	RING	2		81	1601-81810	CAP	1	
22	1101-41310	PIN	1		82	0263-30555	SCREW	2	
23	1260-41320	RING	2		83	1950-86120	CLIP	1	
24	1140-41330	BEARING	1		84	5500-82100	BODY ASSY	1	
25	1101-41340	WASHER	2		85	1970-82190	SLEEVE	2	
26	5500-42000	CRANKSHAFT COMP.	1		86	5500-82130	PLATE	1	
27	1650-43230	NUT	1		87	5500-82140	LEVER	1	
28	1000-43240	KEY	1		88	2630-33610	SCREW	1	
29	1100-51113	SHOE	2		89	5500-82171	ELEMENT	1	
30	1140-51250	SCREW	2		90	5600-82200	COVER ASSY	1	
31	1970-51220	SPRING	1		91	5500-82220	KNOB	1	
32	1140-51230	WASHER	2		92	5501-31110	COVER	1	
33	1970-51241	WASHER	2		93	0263-90520	SCREW	4	
34	5506-71110	ROTOR	1		94	5580-32110	COVER	1	
35	5500-71200	COIL ASSY	1		95	1850-32160	SCREW	1	
36	5500-71220	CORD	1		96	1900-31410	SCREW	2	
37	2616-71320	CAP	1		97	5500-32210	GUARD	1	
38	1900-72111	CAP	1		98	0263-90514	SCREW	1	
39	1900-72120	SPRING	1		99	1216-73110	SPARK PLUG	1	
40	5500-72130	GROMMET	1		100	1852-72120	GROMMET	1	
41	5500-72150	SPACER	2		101	5501-73201	CORD COMP	1	
42	3310-72150	BOLT	2		102	1855-82100	CABLE COMP	1	
43	5500-75000	STARTER ASSY	1		103	5504-85000	TANK ASSY	1	
44	5500-75100	RECOIL ASSY	1		104	5504-85200	CAP ASSY	1	
45	1850-75120	REEL	1		105	5500-85220	PACKING	1	
46	1850-75130	SPRING	1		106	3317-57242	STOPPER	1	
47	1850-75151	SCREW	1		107	5500-85600	BREATHER ASSY	1	
48	1850-75160	ROPE	1		108	1950-86120	CLIP	1	
49	1140-75320	KNOB	1		109	5500-85300	PIPE COMP	1	
50	5500-75170	PLATE	1		110	3302-85400	FILTER ASSY	1	
51	1850-75201	PULLEY ASSY	1		111	1260-85460	CLIP	1	
52	1850-75221	RATCHET	1		112	5500-85510	SCREW	3	
53	1850-75230	SPRING	1		113	1140-72231	CLAMP	1	
54	0263-90416	SCREW	4		114	5504-91120	LABEL, recoil	1	
55	5506-81000	CARBURETOR ASSY	1		115	5504-91130	LABEL, cover	1	
56	1752-81110	SCREW	2						
57	1918-81130	BRACKET	1						
58	1751-81130	RING	1						
59	1881-81140	SWIVEL	1						
60	5600-81150	VALVE ASSY	1						

Fig.3 DRIVE UNIT & ACCESSORIES—SGC2300DW



VINKELGEAR KPL. 380513001

Fig.3 DRIVE UNIT & ACCESSORIES—SGC2300DW

Key#	PART NUMBER	DESCRIPTION	QTY /UNIT	NOTE	Key#	PART NUMBER	DESCRIPTION	QTY /UNIT	NOTE
1	3805-11101	CASE COMP, rear	1		61	0263-60514	SCREW	1	
2	06004-06001	BEARING	1		62	3805-13920	GASKET	1	
3	06000-06001	BEARING	1		63	3805-13930	PINION	1	
4	04065-02812	RING	1		64	06000-06000	BEARING	2	
5	3805-11211	CASE, front	1		65	3180-13330	RING	1	
6	06004-06001	BEARING	1		66	04065-02612	RING	1	
7	06000-06001	BEARING	1		67	3805-13940	PACKING	1	
8	01252-30520	BOLT	6		68	3805-13951	SPACER	1	
9	3805-11310	DRUM	1		69	3805-15111	BLADE	2	
10	3805-11320	GEAR, pinion	1		70	01252-40608	BOLT	8	
11	3180-13330	RING	1		71	3805-15140	STABILIZER	1	
12	3805-11331	GEAR	1		72	0263-30508	SCREW	4	
13	3805-11370	WASHER	2		73	3583-141000	BRACKET ASSY	1	
14	3805-11360	GEAR, wheel	1		74	3583-14110	BRACKET	1	
15	3130-13270	RING	1		75	3583-14121	CAP, lower	1	
16	3805-11411	GASKET	1		76	3257-14191	CAP, upper	1	
17	3805-12100	PIPE COMP.	1		77	01252-30522	BOLT	6	
18	3565-11341	CAP	1		78	3540-14200	HANDLE COMP., left	1	
19	0263-90510	SCREW	2		79	6242-14400	HANDLE COMP., right	1	
20	3805-12210	SHAFT	1		80	3260-14251	CLAMP	1	
21	0225-00608	BOLT	2		81	0260-00516	SCREW	1	
22	6234-14601	LEVER ASSY	1		82	3540-93120	BAND	1	
23	3976-14710	CORD (A) , red	1		83	5512-73230	BAND	1	
24	3976-14720	CORD (B) , black	1		84	6220-17201	HARNES ASSY	1	
25	5512-73200	CABLE COMP.	1		85	3565-24000	GUARD ASSY	1	
26	6130-18101	HANGER	1		86	3565-24110	GUARD	1	
27	6130-18200	CLAMP	1		87	3520-24120	CLAMP	1	
28	0263-90520	SCREW	1		88	3540-24130	BOLT	2	
29	3805-11511	COVER, right	1		89	3805-91000	TOOL SET	1	
30	3805-11521	COVER, left	1		90	1030-91340	SCREWDRIVER	1	
31	2200-76210	SCREW	3		91	3144-91160	SOCKET	1	
32	3805-13102	CASE COMP.	1		92	09007-00425	WRENCH	1	
33	3805-13130	SEAL	1		93	09007-00528	WRENCH	1	
34	06000-00608	BEARING	1		94	3540-91120	SPANNER	1	
35	06000-06804	BEARING	2		95	0225-50616	BOLT	4	
36	3805-13200	SHAFT COMP.	1		96	6251-15910	COVER	1	
37	3805-13230	SEAL	1						
38	04064-02012	RING	1						
39	3805-13412	ARM, lower	1						
40	3805-13432	CONROD	2						
41	3805-13510	SHAFT	1						
42	3805-13520	NUT	1						
43	3805-13560	SHIM	1						
44	3805-13550	SHIM, 0.3t	0/1						
45	3805-13570	SHIM, 0.2t	0/1						
46	3805-13580	SHIM, 0.1t	0/1						
47	3805-13590	SHIM	1						
48	3805-13612	ARM, upper	1						
49	3805-13711	CRANKSHAFT	1						
50	3805-13720	GEAR	1						
51	01641-20812	WASHER	1						
52	3805-13750	BOLT	1						
53	3805-13800	COVER COMP	1						
54	3805-13840	SEAL	1						
55	06002-00608	BEARING	2						
56	0263-00610	SCREW	1						
57	07005-00612	GASKET	1						
58	3805-13910	GASKET	1						
59	01252-40520	BOLT	3						
60	3805-13970	BOLT	1						

Fig.4 ENGINE UNIT - SGC2300DW

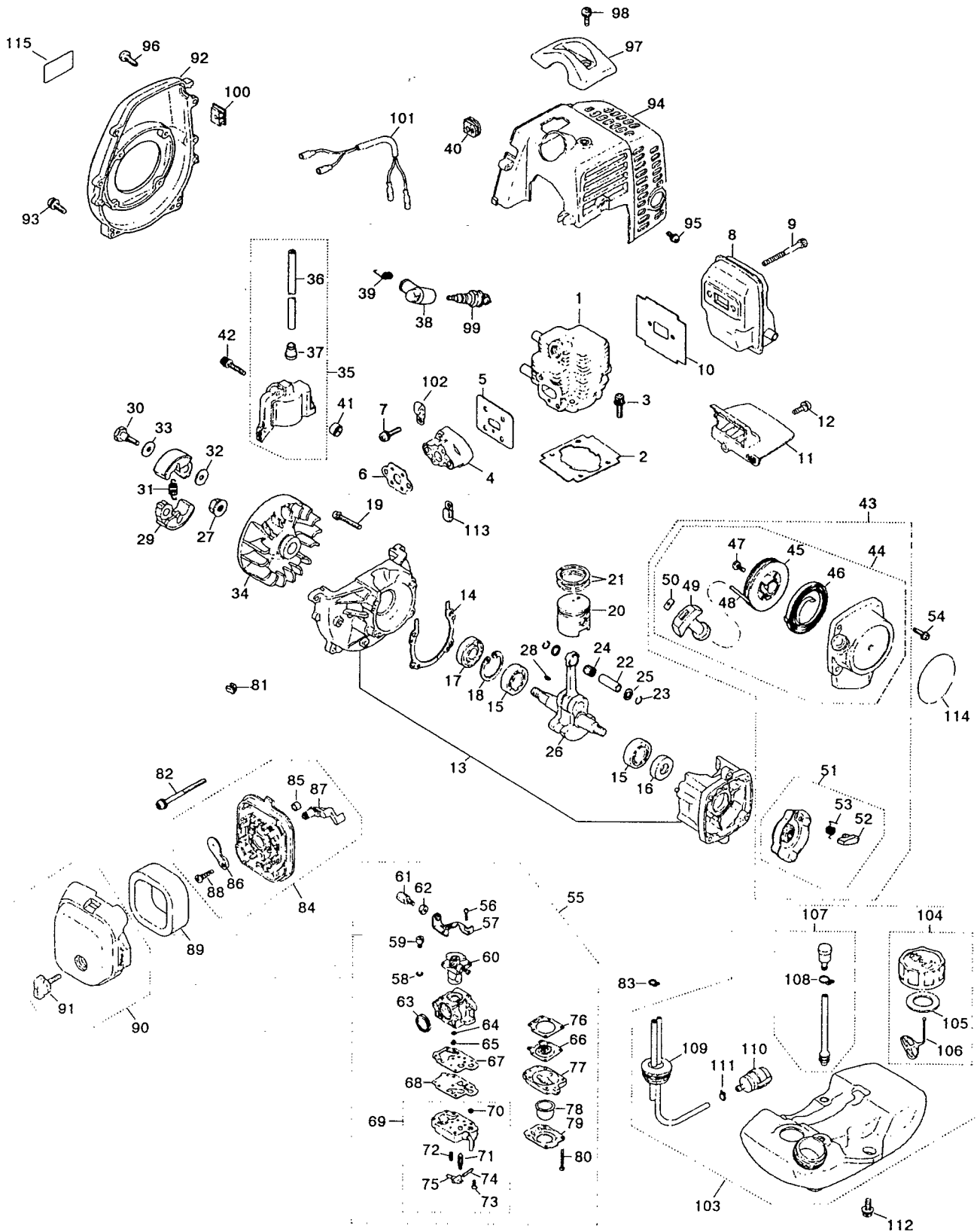


Fig.4 ENGINE UNIT—SGC2300DW

Key#	PART NUMBER	DESCRIPTION	QTY /UNIT	NOTE	Key#	PART NUMBER	DESCRIPTION	QTY /UNIT	NOTE
1	5500-12110	CYLINDER	1		61	1918-81170	SCREW	1	
2	5500-12210	GASKET	1		62	1751-81180	NUT	1	
3	1850-12130	BOLT	2		63	1881-81130	RING	1	
4	5500-13160	INSULATOR	1		64	1751-81240	O-RING	1	
5	5500-13120	GASKET	1		65	1065-81250	JET	1	
6	5500-13130	GASKET	1		66	3310-81260	DIAPHRAGM, metering	1	
7	0263-90520	SCREW	2		67	1065-81410	GASKET, pump	1	
8	5580-15110	MUFFLER	1		68	1065-81420	DIAPHRAGM, pump	1	
9	01252-30550	BOLT	2		69	1850-81450	BODY ASSY	1	
10	5500-15210	GASKET	1		70	3306-81380	SCREEN	1	
11	5500-15220	PLATE	1		71	3356-81310	VALVE	1	
12	0263-90416	SCREW	1		72	1850-81270	SPRING	1	
13	5500-21100	CRANKCASE COMP	1		73	1850-81220	SCREW	1	
14	5500-21140	GASKET	1		74	3310-81250	PIN	1	
15	06030-06001	BEARING	2		75	3310-81230	LEVER	1	
16	2169-21210	SEAL	1		76	1850-81470	GASKET	1	
17	1850-21220	SEAL	1		77	1850-81490	BODY, purge	1	
18	04065-02812	RING	1		78	1751-81510	PUMP, priming	1	
19	01252-30530	BOLT	4		79	1850-81520	COVER, pump	1	
20	1148-41110	PISTON	1		80	1850-81530	SCREW	4	
21	1850-41210	RING	2		81	1601-81810	CAP	1	
22	1101-41310	PIN	1		82	0263-30555	SCREW	2	
23	1260-41320	RING	2		83	1950-86120	CLIP	1	
24	1140-41330	BEARING	1		84	5500-82100	BODY ASSY	1	
25	1101-41340	WASHER	2		85	1970-82190	SLEEVE	2	
26	5500-42000	CRANKSHAFT COMP.	1		86	5500-82130	PLATE	1	
27	1650-43230	NUT	1		87	5500-82140	LEVER	1	
28	1000-43240	KEY	1		88	2630-33610	SCREW	1	
29	1100-51113	SHOE	2		89	5500-82171	ELEMENT	1	
30	1140-51250	SCREW	2		90	5600-82200	COVER ASSY	1	
31	1970-51220	SPRING	1		91	5500-82220	KNOB	1	
32	1140-51230	WASHER	2		92	5501-31110	COVER	1	
33	1970-51241	WASHER	2		93	0263-90520	SCREW	4	
34	5506-71110	ROTOR	1		94	5580-32110	COVER	1	
35	5500-71200	COIL ASSY	1		95	1850-32160	SCREW	1	
36	5500-71220	CORD	1		96	1900-31410	SCREW	2	
37	2616-71320	CAP	1		97	5500-32210	GUARD	1	
38	1900-72111	CAP	1		98	0263-90514	SCREW	1	
39	1900-72120	SPRING	1		99	1216-73110	SPARK PLUG	1	
40	5500-72130	GROMMET	1		100	1852-72120	GROMMET	1	
41	5500-72150	SPACER	2		101	5501-73201	CORD COMP	1	
42	3310-72150	BOLT	2		102	1140-72231	CLAMP	1	
43	5500-75000	STARTER ASSY	1		103	5504-85000	TANK ASSY	1	
44	5500-75100	RECOIL ASSY	1		104	5504-85200	CAP ASSY	1	
45	1850-75120	REEL	1		105	5500-85220	PACKING	1	
46	1850-75130	SPRING	1		106	3317-57242	STOPPER	1	
47	1850-75151	SCREW	1		107	5500-85600	BREATHER ASSY	1	
48	1850-75160	ROPE	1		108	1950-86120	CLIP	1	
49	1140-75320	KNOB	1		109	5500-85300	PIPE COMP	1	
50	5500-75170	PLATE	1		110	3302-85400	FILTER ASSY	1	
51	1850-75201	PULLEY ASSY	1		111	1260-85460	CLIP	1	
52	1850-75221	RATCHET	1		112	5500-85510	SCREW	3	
53	1850-75230	SPRING	1		113	1140-72231	CLAMP	1	
54	0263-90416	SCREW	4		114	5504-91120	LABEL, recoil	1	
55	5506-81000	CARBURETOR ASSY	1		115	5504-91130	LABEL, cover	1	
56	1752-81110	SCREW	2						
57	1918-81130	BRACKET	1						
58	1751-81130	RING	1						
59	1881-81140	SWIVEL	1						
60	5600-81150	VALVE ASSY	1						