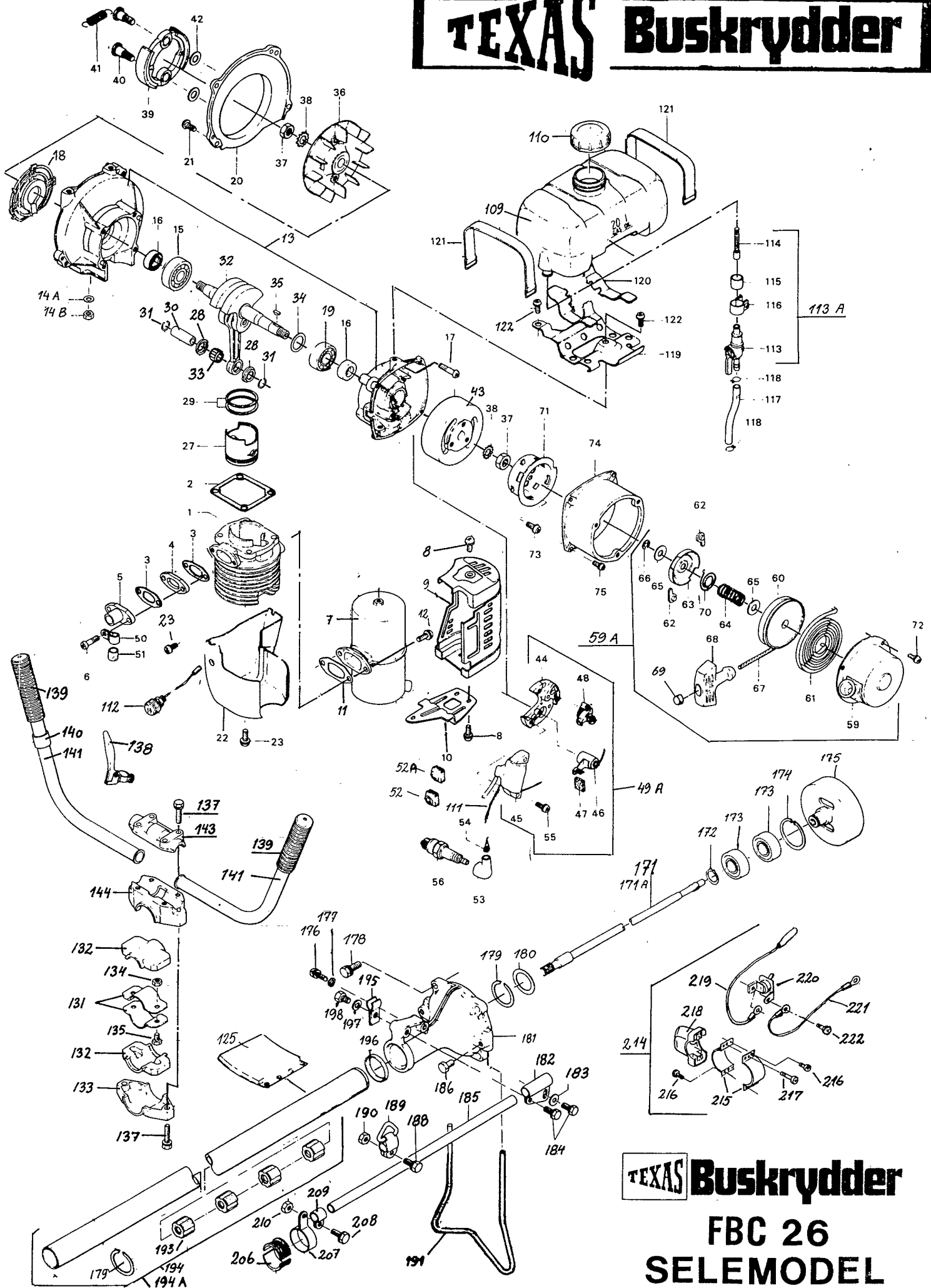
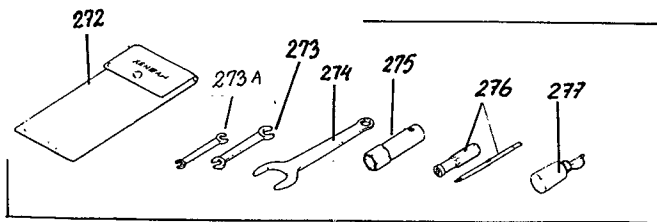


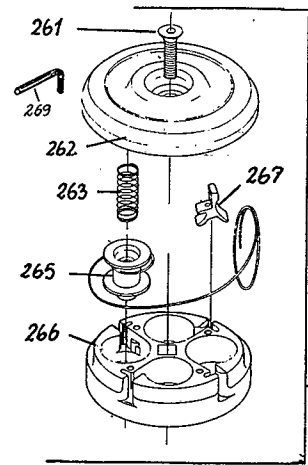
TEXAS Buskrydder



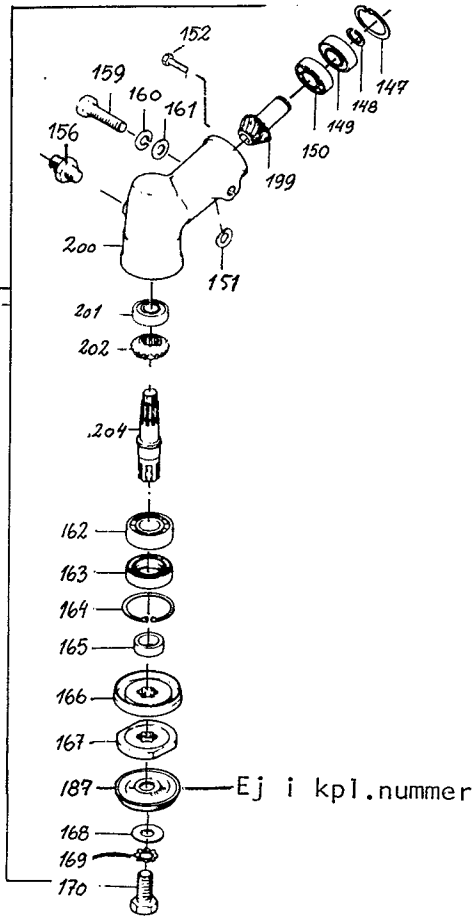
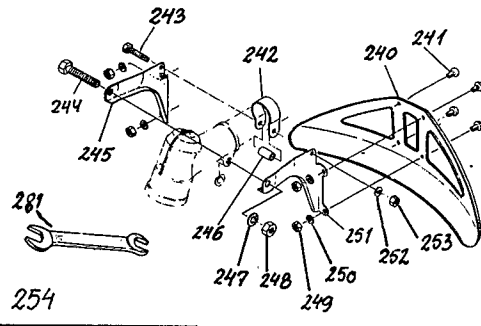
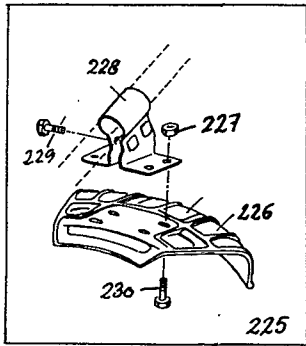
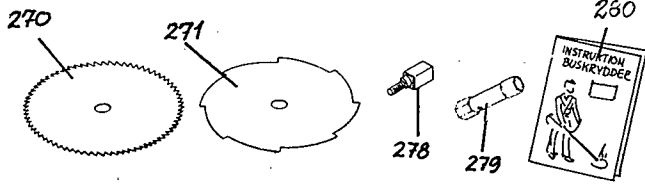
TEXAS Buskrydder
FBC 26
SELEMODEL



272 A

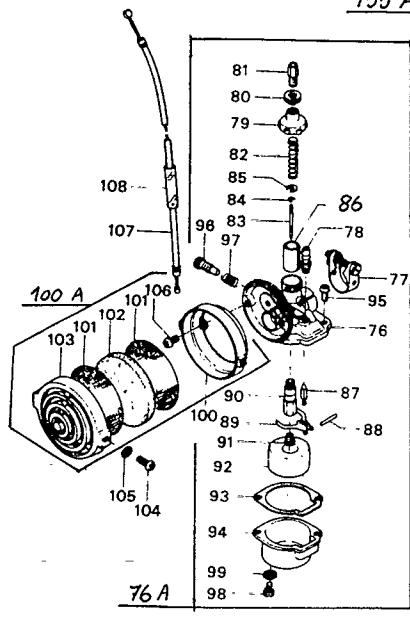
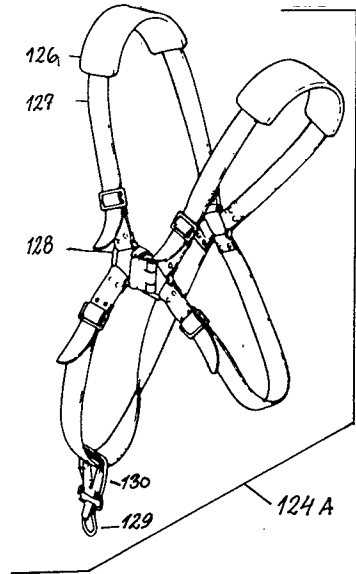


260



155 A

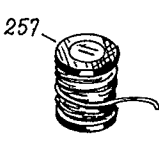
Ej i kpl.nummer



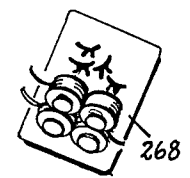
EKSTRA TILBEHØR



ca. 100 m snøre
2,4 mm



ca. 150 m snøre
2 mm



4 sæt ekstra ruller
med snøre og snørestyr.

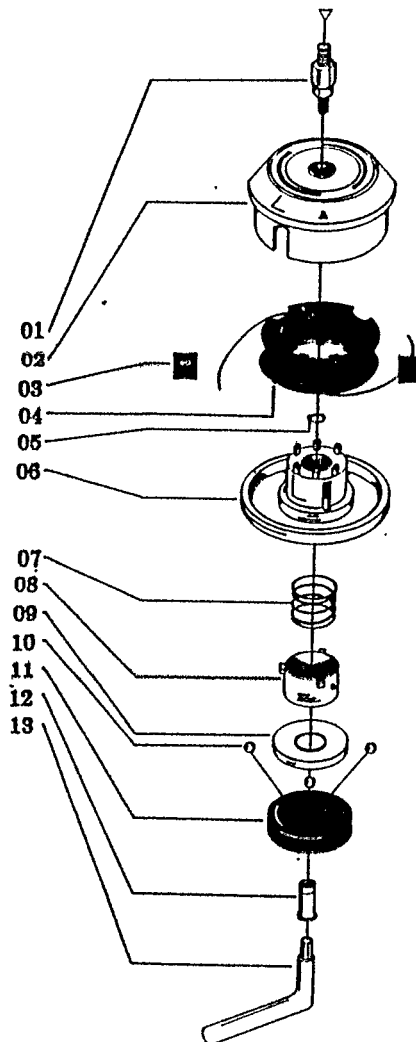
| | | | | | | | |
|-----|---------------|-------------------|---|------|---------------|------------------|---|
| 1 | 1389-12111 | Cylinder | 1 | 69 | 1034-72220 | Stopper f.do | 1 |
| 2 | 1340-13020 | Pakning | 1 | 70 | 1034-72230 | Spiralfjeder | 1 |
| 3 | 1300-13030 | Pakning | 2 | 71 | 1034-72310 | Griberskål | 1 |
| 4 | 1300-13060 | Isolator | 1 | 72 | 0260-30512 | Bolt | 3 |
| 5 | 1300-13070 | Mellemstudts | 1 | 73 | 0260-10612 | Bolt | 3 |
| 6 | 0260-30525 | Bolt | 2 | 74 | 1076-22117 | Dæksel | 1 |
| 7 | 1376-17110 | Lyddæmper | 1 | 75 | 0260-30414 | Bolt | 4 |
| 8 | 0260-30512 | Bolt | 3 | 76A | 103881002 | Kaburator kpl. | 1 |
| 9 | 1376-17210 | Skærm f.lyddæmper | 1 | 76 | 1038-81001-02 | Kaburator krop | 1 |
| 10 | 1376-17220 | Beslag f.skærm | 1 | 77 | 1038-81000-08 | Spændebånd | 1 |
| 11 | 1300-13040 | Pakning | 1 | 78 | 1375-81000-10 | Nåleventilsæde | 1 |
| 12 | 0225-00512 | Bolt | 2 | 79 | 1030-81000-11 | Dæksel | 1 |
| 13 | 1340-21101 | Krumtaphus kpl. | 1 | 80 | 1030-81000-12 | Konstraskrue | 1 |
| 14A | 01641-20608 | Skive | 4 | 81 | 1030-81000-13 | Justerskrue | 1 |
| 14B | 0280-10605 | Møtrik | 4 | 82 | 1030-81000-14 | Fjeder | 1 |
| 15 | 06000-06302 | Kugleleje | 1 | 83 | 1389-81000-15 | Nål | 1 |
| 16 | 1520-21220 | Pakdåse 15x25x7 | 2 | 84 | 1030-81000-16 | Låsering | 1 |
| 17 | 0260-00625 | Bolt | 4 | 85 | 1030-81000-17 | Skive | 1 |
| 18 | 1376-27180 | Skærm | 1 | 86 | 1389-81000-18 | Gasspjæld | 1 |
| 19 | 06000-06202 | Kugleleje | 1 | 87 | 1389-81000-19 | Nåleventil | 1 |
| 20 | 1375-31117 | Dæksel | 1 | 88 | 1030-81000-20 | Aksel | 1 |
| 21 | 0260-00614 | Bolt | 4 | 89 | 1389-81000-21 | Vippearm | 1 |
| 22 | 1376-37210 | Cylinderdæksel | 1 | 90 | 1389-81000-22 | Dysserør | 1 |
| 23 | 0260-30512 | Bolt | 3 | 91 | 1389-81000-23 | Dysse | 1 |
| 27 | 1340-41111 | Stempel | 1 | 92 | 1389-81000-24 | Svømmer | 1 |
| 28 | 1030-41120 | Afstandsskiver | 2 | 93 | 1030-81000-25 | Pakning | 1 |
| 29 | 1340-41220 | Stempelring | 2 | 94 | 1389-81000-26 | Svømmerhus | 1 |
| 30 | 2500-41230 | Krydspind | 1 | 95 | 0260-10410 | Bolt | 2 |
| 31 | 1300-41320 | Låsering | 2 | 96 | 1038-81001-29 | Tomgangsskrue | 1 |
| 32 | 1075-42000 | Krumtap | 1 | 97 | 1030-81001-31 | Fjeder f.do | 1 |
| 33 | 1030-42400 | Nåleleje | 1 | 98 | 1038-81000-32 | Skrue | 1 |
| 34 | 1300-42410 | Glidering | 1 | 99 | 1038-81000-33 | Pakning f.do | 1 |
| 35 | 1000-43240 | Not | 1 | 100A | 1075-82000 | Luftfilter kpl. | 1 |
| 36 | 1375-43110 | Blæserhjul | 1 | 100 | 1038-82012 | Holder f.do | 1 |
| 37 | 1300-43230 | Møtrik | 1 | 101 | 1030-82020 | Net | 2 |
| 38 | 1000-43220 | Låseskive | 1 | 102 | 1030-82030 | Filter | 1 |
| 39 | 1075-51111 | Koblingssko | 2 | 103 | 1075-82041 | Dæksel f.do | 1 |
| 40 | 1075-51210 | Bolt | 2 | 104 | 0260-00408 | Bolt | 2 |
| 41 | 1075-51220 | Koblingsfjeder | 1 | 105 | 1030-82081 | Skive | 2 |
| 42 | 1075-51231 | Afstandsskiver | 2 | 106 | 0260-10408 | Bolt | 2 |
| 43 | 1030-71001-10 | Svinghjul | 1 | 107 | 1506-82100 | Gaskabel gl.type | 1 |
| 44 | 1030-71000-21 | Tændingsplade | 1 | 107A | 1527-82100 | Gaskabel ny type | 1 |
| 45 | 1030-71000-22 | Tændspole | 1 | 108 | 7270-00604 | Plastrør f.do | 1 |
| 46 | 1000-71000-25 | Kondensator | 1 | 109 | 1375-85001 | Benzintank | 1 |
| 47 | 1000-71000-28 | Filt | 1 | 110 | 1030-85300 | Benzinlåg kpl. | 1 |
| 48 | 1000-71000-30 | Platin | 1 | 111 | 1030-71000-47 | Afbryderledning | 1 |
| 49A | 1030-71000-20 | Tændingsplade kpl | 1 | 112 | 1044-72200 | Afbryder gl.type | 1 |
| 50 | 1000-71120 | Beslag f.ledning | 1 | 113A | 1087-85400 | Benzinhane kpl. | 1 |
| 51 | 1000-71130 | Gummibøjs f.do | 1 | 113 | 1087-85410 | Benzinhane | 1 |
| 52 | 1500-71210 | Gummibøjs f.do | 1 | 114 | 1087-85420 | Si | 1 |
| 52A | 1300-71230 | Gummibøjs | 1 | 115 | 1087-85430 | Gummibøjs | 1 |
| 53 | 1100-72211 | Tænderørshætte | 1 | 116 | 1087-85440 | Spændebånd | 1 |
| 54 | 1500-71420 | Fjeder f.do | 1 | 117 | 1375-86111 | Benzinslange | 1 |
| 55 | 0260-30414 | Bolt | 2 | 118 | 1030-86130 | Spændering | 2 |
| 56 | 0400-02302 | Tænderør B6 Hs | 1 | 119 | 1375-86200 | Tankplade | 1 |
| 59A | 1076-72002 | Starterhus kpl. | 1 | 120 | 1375-86230 | Mellemlægsstrop | 2 |
| 59 | 1076-72110 | Hus f. starter | 1 | 121 | 1075-86240 | Gummistrop | 2 |
| 60 | 1034-72120 | Snorrulle | 1 | 122 | 0260-10612 | Bolt | 3 |
| 61 | 1034-72130 | Startfjeder | 1 | 124A | 3144-17201 | Sele kpl. | 1 |
| 62 | 1034-72141 | Griber | 2 | 125 | 3144-17110 | Støttepude | 1 |
| 63 | 1034-72150 | Griberdæksel | 1 | 126 | 3144-17230 | Skulderpude | 2 |
| 64 | 1034-72160 | Trykfjeder | 1 | 127 | 3144-17211 | Skulderrem | 1 |
| 65 | 1034-72170 | Stopskive | 1 | 128 | 3144-17221 | Spænde | 1 |
| 66 | 1034-72180 | E-ring | 1 | 129 | 3144-17240 | Bærehage | 1 |
| 67 | 1034-72190 | Startsnor | 1 | 130 | 3146-17250 | Gummistrop | 1 |
| 68 | 1034-72211 | Starthåndtag | 1 | 131 | 3144-14150 | Rørspænde | 2 |

| | | | | | | | |
|------|---------------------|--------------------------|---|------|---------------|----------------------|---|
| 132 | 3144-14140 | Gummidæmper | 2 | 206 | 3140-11631 | Bøsning | 2 |
| 133 | 3144-14126 | Rørbeslag | 1 | 207 | 3140-11620 | Spændebånd | 1 |
| 134 | 0280-10605 | Møtrik | 2 | 208 | 0224-10616 | Bolt | 1 |
| 135 | 0224-00610 | Bolt | 2 | 209 | 3140-11610 | Spændebånd | 1 |
| 137 | 0224-50630 | Bolt | 6 | 210 | 0280-10605 | Møtrik | 1 |
| 138 | 3146-14415 | Gasgreb | 1 | 214 | 3287-18000 | Afbryder kpl. | 1 |
| 138A | 1000-82201 | Gasgreb gl.type | 1 | 215 | 3287-18120 | Beslag | 2 |
| 139 | 3168-14220 | Gummi håndtag | 2 | 216 | 0260-00405 | Skruer | 4 |
| 140 | 3168-14320 | Plastbøs | 1 | 217 | 0277-10410 | Skruer | 2 |
| 141 | 3168-14210 | Styrhalvdæl | 2 | 218 | 3294-18110 | Plasthus | 1 |
| 143 | 3144-14136 | Beslag øverste | 1 | 219 | 3287-18130 | Ledning | 1 |
| 144 | 3144-14116 | Beslag midterste | 1 | 220 | 3238-14171 | Afbryder | 1 |
| 147 | 04065-02812 | Låsering | 1 | 221 | 3287-18140 | Ledning | 1 |
| 148 | 3130-13270 | Låsering | 1 | 222 | 0260-00405 | Skruer | 2 |
| 149 | 06002-06001 | Kugleleje | 1 | 225 | 3296-24100 | Skærm kpl.ny type | 1 |
| 150 | 06000-06001 | Kugleleje | 1 | 226 | 3231-24112 | Skærm | 1 |
| 151 | 3130-13260 | Afstandsskive | 1 | 227 | 0280-10605 | Møtrik | 4 |
| 152 | 0260-30512 | Bolt | 1 | 228 | 3296-24120 | Beslag f.skærm | 1 |
| 155A | 3140-13000-2 | Vinkelgear kpl. | 1 | 229 | 0225-10625 | Bolt | 2 |
| 156 | 0702-00000 | Smørrenippel | 1 | 230 | 0260-30614 | Bolt | 4 |
| 159 | 3130-13610 | Bolt | 1 | 240 | 3140-24130 | Skærm | 1 |
| 160 | 0290-20820 | Skive | 1 | 241 | 0260-00510 | Bolt | 4 |
| 161 | 01641-20812 | Skive | 1 | 242 | 3144-24140 | Rørbøjle | 1 |
| 162 | 06000-06203 | Kugleleje | 1 | 243 | 0224-00530 | Bolt | 1 |
| 163 | 3146-13120 | Pakdåse | 1 | 244 | 0224-00845 | Bolt | 1 |
| 164 | 04065-04018 | Låsering | 1 | 245 | 3140-24120 | Beslag | 1 |
| 165 | 3146-13230 | Afstandsskive | 1 | 246 | 3144-24150 | Afstandsrør | 1 |
| 166 | 3146-13240 | Indv.knivholder | 1 | 247 | 0290-20820 | Skive | 1 |
| 167 | 3120-13250 | Udv. knivholder | 1 | 248 | 0230-10805 | Møtrik | 1 |
| 168 | 3100-16130 | Spændeskive | 1 | 249 | 0280-10504 | Møtrik | 4 |
| 169 | 1000-43130 | Spændeskive | 1 | 250 | 01601-20513 | Skive | 4 |
| 170 | 3130-13260 | Bolt | 1 | 251 | 3140-24110 | Beslag | 1 |
| 171A | 3287-12210 | 148 cm Trækaksel fra 81 | 1 | 252 | 01601-20513 | Skive | 1 |
| 171 | 3144-12210 | 135 cm Trækaksel gl.type | 1 | 253 | 0280-10504 | Møtrik | 1 |
| 172 | 04064-01510 | Låsering | 1 | 254 | 3140-24000 | Skærm kpl. | 1 |
| 173 | 06004-06202 | Kugleleje | 2 | 256 | 61550313 | Snøre-rulle 2,4mm | |
| 174 | 04065-03515 | Låsering | 1 | 257 | 61550131 | Snøre-rulle 2,0mm | |
| 175 | 3140-12110 | Koblingskål | 1 | 258 | 1274UR | Fil f.klinger | |
| 176 | 0260-00610 | Bolt | 1 | 260 | 5129-00 | Græsæderhoved kpl. | 1 |
| 177 | 3146-11140 | Pakskive | 1 | 261 | 5020-00 | Unbracoskrue | 1 |
| 178 | 0224-50620 | Bolt | 4 | 262 | 5009-00 | Afstandsdæksel | 1 |
| 179 | 3130-11420 | Låsering | 1 | 263 | 5006-00 | Fjeder | 4 |
| 180 | 3130-11430 | Afstandsskive | 1 | 265 | 5004-00 | Spoler m/snøre | 4 |
| 181 | 3140-11110 | Koblingshus | 1 | 266 | 5002-00 | Spolehus | 1 |
| 182 | 3144-11230 | Beslag | 1 | 267 | 5010-00 | Snørestyr | 4 |
| 183 | 01642-20608 | Skive | 1 | 268 | 1022-00 | Sæt m/snøre og styr | |
| 184 | 0224-10616 | Bolt | 2 | 269 | 5064-00 | Unbraconøgle | 1 |
| 185 | 3140-11210 | Bærestang | 1 | 270 | 3144-92111 | Rundsavklinge | 1 |
| 186 | 0224-00612 | Bolt | 2 | 271 | 3144-92121 | Universalklinge | 1 |
| 187 | 3144-13291 | Afstandsplade | 1 | 272 | 1820-91111 | Værktøjspose | 1 |
| 188 | 0224-10620 | Bolt | 1 | 272A | 3140-91000 | Værktøjspose kpl. | 1 |
| 189 | 3144-11240 | Bærebekslag | 1 | 273 | 0901-00810 | Nøgle | 1 |
| 190 | 0280-10605 | Møtrik | 1 | 273A | 0901-01417 | Nøgle | 1 |
| 191 | 3144-11280 | Støttefod 6mm | 1 | 274 | 3130-91121 | Stor gaffelnøgle | 1 |
| 193 | 3130-11323 | Bøs f. aksel | 4 | 275 | 0900-02101 | Topnøgle | 1 |
| 194 | 3140-11300 | Rør kpl. gl.type | 1 | 276 | 1030-91340 | Skruetrækker | 1 |
| 194A | 3296-11300 | Rør kpl. fra 81 | 1 | 277 | 3120-91130 | Oliekande | 1 |
| 195 | 3120-11230 | Beslag f.gaskabel | 1 | 278 | 3140-13260 | Adaptor | 1 |
| 196 | 06122-02804 | Pakdåse | 1 | 279 | 3005-91211 | Topnøgle | 1 |
| 197 | 0290-20615 | Skive | 1 | 280 | | Betjeningsvejledning | |
| 198 | 0224-00610 | Bolt | 1 | 281 | 0901-01317 | Gaffelnøgle | 1 |
| 199 | 3140-13311 | Tandhjul | 1 | | | | |
| 200 | 3140-13110 | Gearhus | 1 | | | | |
| 201 | 06004-06001 | Kugleleje | 1 | | | | |
| 202 | 3140-13221 | Tandhjul | 1 | | | | |
| 204 | 3140-13210 | Drivaksel | 1 | | | | |
| 191a | Gl.model 3263-11280 | 8mm | | | | | |
| | | | | | 1334-81230 | Nåleventil | |
| | | | | | 1389-81002-21 | Løfter | |
| | | | | | 1038-81002-10 | sæde f. nåleventil | |

Reservedelsliste for Feed-Matic snørehoved

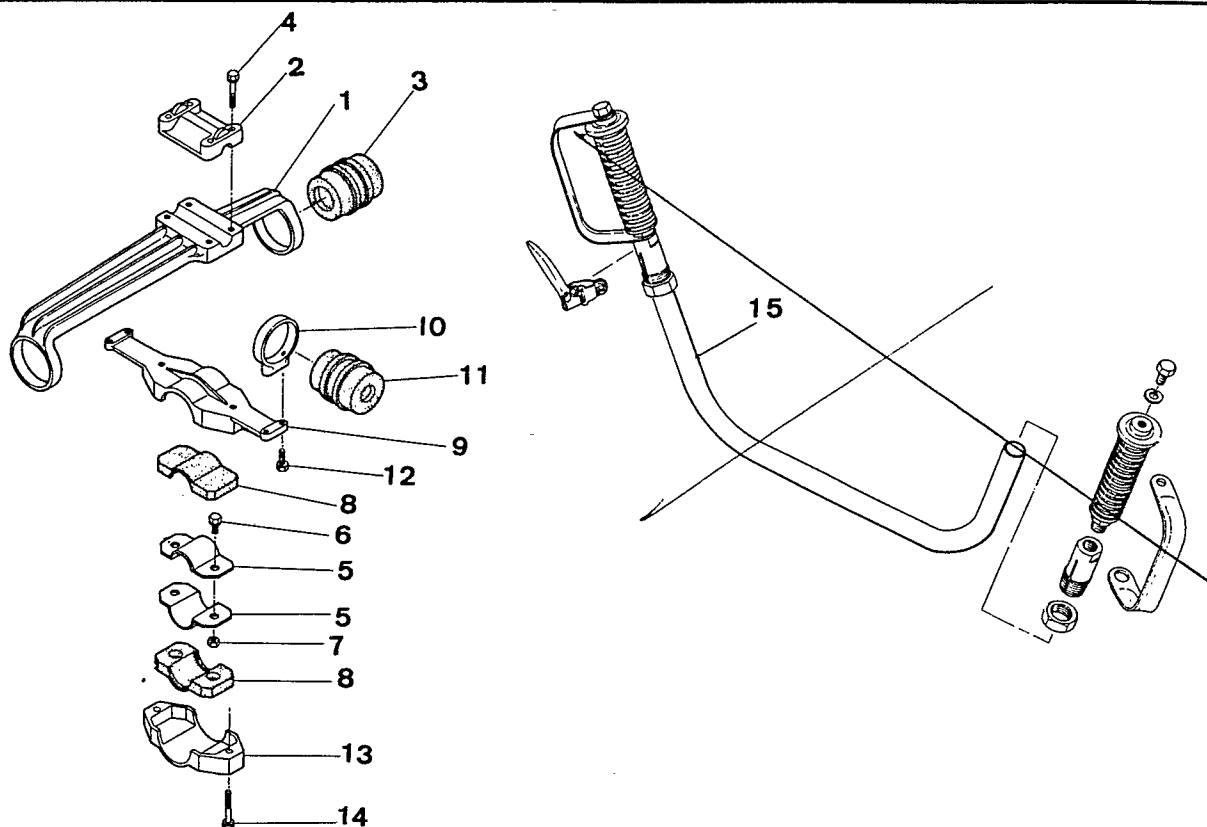
for 'TEXAS' buskryddere

1992/1



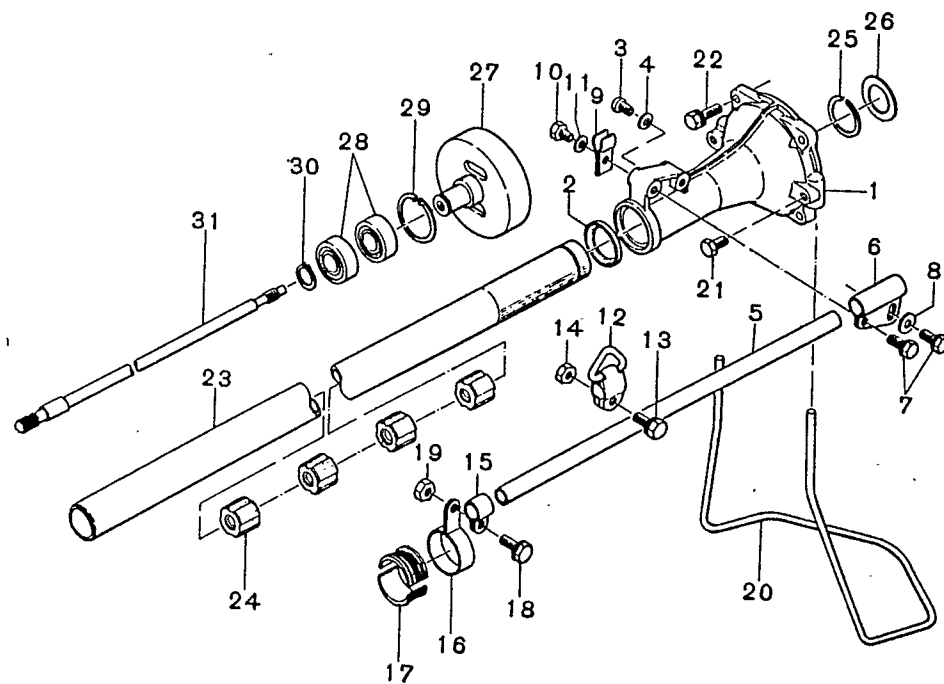
| Pos.nr. | Best.nr. | Tekst |
|---------|-----------|----------------------------|
| 01 | 10-101007 | Adapter for BC 220 |
| 01a | 10-101008 | Adapter for 340 M |
| 01b | 10-101010 | Adapter for 431 M |
| 02 | 10-101061 | Spolehus |
| 03 | 10-106003 | Snørestyr |
| 04 | 10-101030 | Spole |
| 05 | 10-103025 | Låsering |
| 06 | 10-101053 | Bund for spolehus |
| 06a | 10-201003 | Komplet bund pos. 5-12 |
| 07 | 10-107006 | Fjeder |
| 08 | 10-101069 | Fjederholder |
| 09 | 10-101070 | Kugleskål |
| 10 | 10-102073 | Stålkugle |
| 11 | 10-101071 | Kugleholder |
| 12 | 10-101056 | Bolt |
| 13 | 10-109006 | Nøgle |
| 14 | 22007100 | Snørehoved for BC 220 7 MM |
| 15 | 34008125 | Snørehoved for 340 M 8 MM |
| 16 | 43110125 | Snørehoved for 431 M 10 MM |

ハンドル防振装置FBC 26用—ANTI-VIBRATION for FBC 26 (OP)



| 図および 索引番号 Fig. & Index No. | 品番 Part No. | 品名 Part Name | 個数 Q'ty | 適用号機 Serial No. | 備考 Remarks |
|-------------------------------------|---|-----------------------------|------------|--------------------|---------------|
| | 3288-14100 3144-97100 | ブラケット アセンブリ BRACKET ASSY | 1 | | |
| 1 | 3145-97110 | ・ ブラケットB BRACKET(B) | 1 | | |
| 2 | 3145-97120 | ・ キャップ アップ CUP-UPPER | 1 | | |
| 3 | 3145-97130 | ・ クッションB CUSION(B) | 2 | | |
| 4 | 0224-50630 | ・ ボルト BOLT | 4 | | |
| 5 | 3146-14150 | ・ クランプ CLAMP | 2 | | |
| 6 | 0224-00812 | ・ ボルト BOLT | 2 | | |
| 7 | 0280-10806 | ・ ナット NUT | 2 | | |
| 8 | 3145-97140 | ・ アブソーバ ABSORBER | 2 | | |
| 9 | 3145-97150 | ・ ブラケットA BRACKET(A) | 1 | | |
| 10 | 3145-97160 | ・ リング RING | 2 | | |
| 11 | 3145-97170 | ・ クッションA CUSION | 2 | | |
| 12 | 0225 0224 -50516 | ・ ボルト BOLT | 4 | | |
| 13 | 3145-97180 | ・ キャップ, ロア CAP-LOWER | 1 | | |
| 14 | 0224-50630 | ・ ボルト BOLT | 2 | | |
| 15 | 3145-14200 | ハンドル アセンブリ HANDL ASSY | 1 | | |

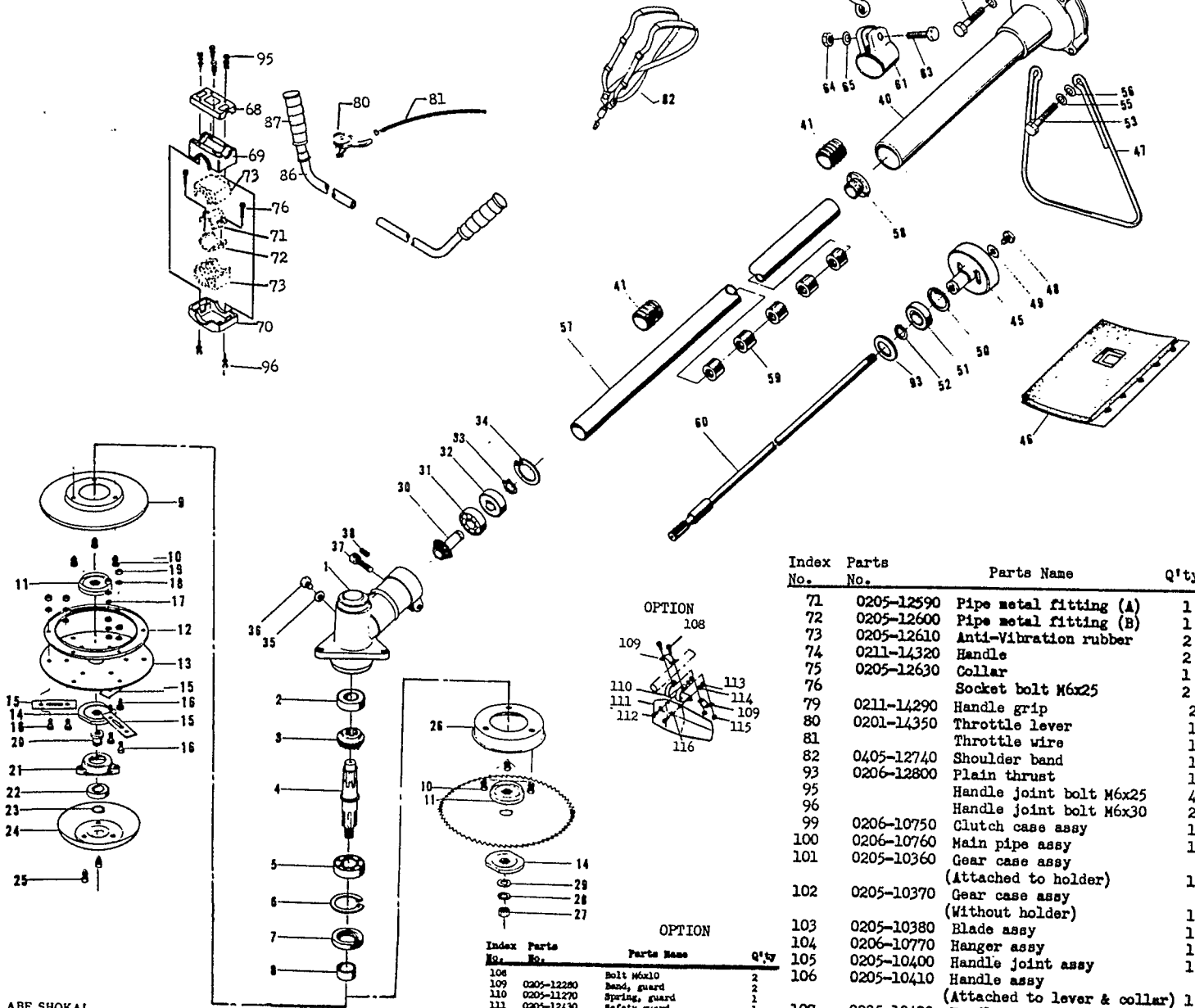
Fig. 1 BOÎTIER D'EMBRAYAGE
KUPPLUNGSGEHÄUSE
CLUCH HAUSING
CARTER DEL EMBRAGUE



| Désignation | Benennung | Index No. No. de indice No. de index Nr. Indexes | Part No. No. de pieza No. des pièces Teile-Nr. | Quantity Cantidad Quantité Quantität | Description | Descripción | Serial No. No. de serie No. de série Serien-Nr. |
|------------------------------------|-----------------------------|---|---|---|------------------------|------------------------|--|
| Boltier | Gehäuse | | 3140-11100 | 1 | Housing comp | Cárter | |
| • Boltier (3140-11110) | • Gehäuse (3140-11110) | 1- 1 | ☆ | 1 | • Housing (3140-11110) | • Cárter (3140-11110) | |
| • Joint d'ébranchéité (Equipement) | • Dichtung (Ausstattung)(K) | - 2 | 06122-02804 | 1 | • Seal (K) | • Sello (Juego) (K) | |
| • Vis (K) | • Schraube | - 3 | 0260-00610 | 1 | • Screw | • Tornillo | |
| • Obturateur de joint (K) | • Dichtung (K) | - 4 | 3146-11140 | 1 | • Gasket (K) | • Guarnición (K) | |
| Crochet de suspension | Hängeeisen | - 5 | 3140-11210 | 1 | Hanger | Colgante | |
| Crampon, crochet de suspension | Klammer, Hängeeisen | - 6 | 3144-11230 | 1 | Clamp, hanger | Abrazadera, colgante | |
| Boulon | Bolzen | - 7 | 0224-10616 | 2 | Bolt | Perno | |
| Rondelle | Unterlagscheibe | - 8 | 01642-20608 | 1 | Washer | Arandela | |
| Crampon, câble | Klammer, Kabel | - 9 | 3120-11230 | 1 | Clamp, calbe | Abrazadera, cable | |
| Boulon | Bolzen | -10 | 0224-00610 | 1 | Bolt | Perno | |
| Rondelle | Unterlagscheibe | -11 | 0290-20615 | 1 | Washer | Arandela | |
| Crampon | Klammer | -12 | 3144-11240 | 1 | Clamp comp | Abrazadera | |
| Boulon | Bolzen | -13 | 0224-10620 | 1 | Bolt | Perno | |
| Ecrou | Mutter | -14 | 0280-10605 | 1 | Nut | Tuerca | |
| Crampon (A) | Klammer (A) | -15 | 3140-11610 | 1 | Clamp (A) | Abrazadera (A) | |
| Crampon (B) | Klammer (B) | -16 | 3140-11620 | 1 | Clamp (B) | Abrazadera (B) | |
| Coussinet (K) | Büchse (K) | -17 | 3140-11631 | 2 | Bushing (K) | Casquillo (K) | 235001 ~ |
| Coussinet | Büchse | | (□3140-11630) | 2 | Bushing | Casquillo | (~235000) |
| Boulon | Bolzen | -18 | 0224-10616 | 1 | • Bolt | Perno | |
| Ecrou | Mutter | -19 | 0280-10605 | 1 | • Nut | Tuerca | |
| Support (K) | Ständer (K) | -20 | 3144-11280 | 1 | Stand (K) | Soporte (K) | |
| Boulon | Bolzen | -21 | 0224-00612 | 2 | Bolt | Perno | |
| Boulon | Bolzen | -22 | 0224-50620 | 4 | Bolt | Perno | |
| Tuyau (K) | Rohr (K) | | 3140-11300 | 1 | Pipe comp (K) | Tubería (K) | |
| • Tuyau (3146-11311) | • Rohr (3146-11311) | -23 | ☆ | 1 | • Pipe (3146-11311) | • Tubería (3146-11311) | |
| • Coussinet | • Büchse | -24 | 3130-11323 | 4 | • Bushing | • Casquillo | |
| • Bague (K) | • Ring (K) | -25 | 3130-11420 | 1 | • Ring (K) | • Anillo (K) | |

Fig. 1

J40D Main Body Parts List



| Index No. | Parts No. | Parts Name | Q'ty |
|-----------|------------|----------------------------|------|
| 1 | 0205-12320 | Gear case | 1 |
| 2 | | Ball bearing 6000ZZ | 1 |
| 3 | 0205-12350 | Bevel gear | 1 |
| 4 | 0205-12330 | Spline shaft | 1 |
| 5 | | Ball bearing 62020P | 1 |
| 6 | | Stop ring φ35 | 1 |
| 7 | | Oil seal TC20358 | 1 |
| 8 | 0205-12360 | Spline sleeve | 1 |
| 9 | 0205-12720 | Top cover | 1 |
| 10 | | Top cover bolt M5x10 | 3 |
| 11 | 0205-12370 | Holder (A) 11001-103 | 1 |
| 12 | 0201-11090 | Disc cover | 1 |
| 13 | 0201-11080 | Cutter disc | 1 |
| 14 | 0205-12380 | Holder (B) 3130-13252 | 1 |
| 15 | 0201-11100 | Blade | 3 |
| 16 | | Blade bolt M6x12 | 6 |
| 17 | | Plain washer 6 | 3 |
| 18 | | Spring washer 6 | 6 |
| 19 | | Hexagon nut M6 | 6 |
| 20 | 0201-11120 | Disc nut | 1 |
| 21 | 0201-11110 | Stabilizer bearing cover | 1 |
| 22 | | Ball bearing 6202ZZ | 1 |
| 23 | | Stop ring φ15 | 1 |
| 24 | 0201-11130 | Stabilizer | 1 |
| 25 | | Stabilizer bolt M6x12 | 3 |
| 26 | 0205-12460 | Grass cover | 1 |
| 27 | 0201-11390 | Saw setting nut M10L 31001 | 106 |
| 28 | | Toothed lock washer 10L | 1 |
| 29 | | Plain washer φ10.5xφ22x1.6 | 1 |
| 30 | 0205-12340 | Bevel pinion | 1 |
| 31 | | Ball bearing 6001 OP | 1 |
| 32 | | Ball bearing 6001 ZZ | 1 |
| 33 | | Stop ring φ12 | 1 |
| 34 | | Stop ring φ28 | 1 |
| 35 | | Gasket | 1 |
| 36 | | Gasket bolt M6x8 | 1 |
| 37 | | Socket bolt M6x20 | 1 |
| 38 | | Set screw M5x8 | 1 |
| 39 | 0206-12780 | Clutch case | 1 |
| 40 | 0206-11230 | Swivel pipe | 1 |
| 41 | 0201-11260 | Shock absorber | 2 |
| 45 | 0206-12790 | Clutch drum | 1 |
| 46 | 0201-11270 | Protector | 1 |
| 47 | 0201-11290 | Stand 11024-104 | 1 |
| 48 | 0401-11550 | Short head bolt | 1 |
| 49 | | Plain washer φ8.5xφ16x1.2 | 1 |
| 50 | | Stop ring φ35 | 2 |
| 51 | | Ball bearing 6202ZZ | 1 |
| 52 | | Stop ring WR-15 | 1 |
| 53 | | Clutch case bolt M6x40 | 2 |
| 54 | | Clutch case bolt M6x35 | 2 |
| 55 | | Spring washer 6 | 4 |
| 56 | | Plain washer 6 | 4 |
| 57 | 0205-12390 | Main pipe | 1 |
| 58 | 0206-12810 | Pipe end | 1 |
| 59 | 0205-12400 | Metal bush | 4 |
| 60 | 0206-12820 | Main shaft | 1 |
| 61 | 0205-12530 | Hook band | 1 |
| 62 | 0201-12730 | Hanger metal fitting | 1 |
| 63 | | Hook band bolt M6x25 | 1 |
| 64 | | Hexagon nut M6 | 1 |
| 65 | | Spring washer 6 | 1 |
| 68 | 0205-16430 | Handle joint (A) | 1 |
| 69 | 0205-16410 | Handle joint (B) | 1 |
| 70 | 0205-16420 | Handle joint (C) | 1 |

| Index No. | Parts No. | Parts Name | Q'ty |
|-----------|------------|---|------|
| 71 | 0205-12590 | Pipe metal fitting (A) | 1 |
| 72 | 0205-12600 | Pipe metal fitting (B) | 1 |
| 73 | 0205-12610 | Anti-Vibration rubber | 2 |
| 74 | 0211-14320 | Handle | 2 |
| 75 | 0205-12630 | Collar | 1 |
| 76 | | Socket bolt M6x25 | 2 |
| 79 | 0211-14290 | Handle grip | 2 |
| 80 | 0201-14350 | Throttle lever | 1 |
| 81 | | Throttle wire | 1 |
| 82 | 0405-12740 | Shoulder band | 1 |
| 93 | 0206-12800 | Plain thrust | 1 |
| 95 | | Handle joint bolt M6x25 | 4 |
| 96 | | Handle joint bolt M6x30 | 2 |
| 99 | 0206-10750 | Clutch case assy | 1 |
| 100 | 0206-10760 | Main pipe assy | 1 |
| 101 | 0205-10360 | Gear case assy (Attached to holder) | 1 |
| 102 | 0205-10370 | Gear case assy (Without holder) | 1 |
| 103 | 0205-10380 | Blade assy | 1 |
| 104 | 0206-10770 | Hanger assy | 1 |
| 105 | 0205-10400 | Handle joint assy | 1 |
| 106 | 0205-10410 | Handle assy (Attached to lever & collar) | 1 |
| 107 | 0205-10420 | Handle assy (Without lever & collar) | 1 |

OPTION

| Index No. | Parts No. | Parts Name | Q'ty |
|-----------|------------|------------------|------|
| 108 | | Bolt M6x10 | 2 |
| 109 | 0205-12280 | Band, guard | 2 |
| 110 | 0205-11270 | Spring, guard | 1 |
| 111 | 0205-12430 | Safety guard | 1 |
| 112 | | Screw M5x12 | 2 |
| 113 | | Nut, M5 | 2 |
| 114 | | Washer spring M5 | 2 |
| 115 | | Nut M6 | 2 |
| 116 | | Washer, plain M5 | 2 |

ABE SHOKAI
TOKYO BRANCH
1-31-53 OGAWA-CHO, KODAIRA-SHI
TOKYO, 187 JAPAN

ADAPTER 31042-110