

Fig.1 EXZ-PU

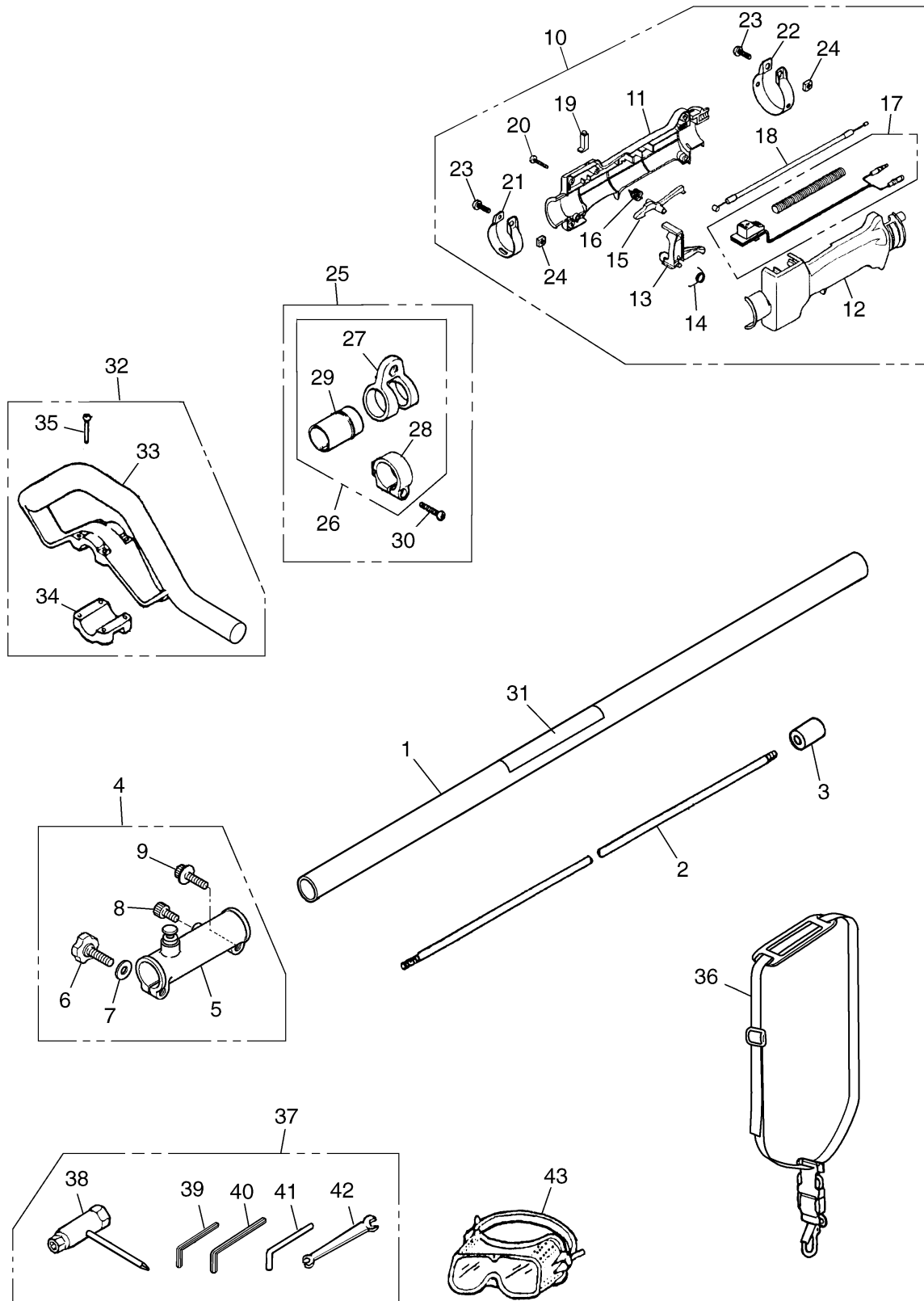


Fig.1 EXZ-PU

Key#	PART NUMBER	DESCRIPTION	Q'TY /UNIT	NOTE	Key#	PART NUMBER	DESCRIPTION	Q'TY /UNIT	NOTE
1	T3075-12100	PIPE-COMP	1	ø24x750					
2	T3075-12210	SHAFT	1	786x7					
3	6036-12250	SPACER	1						
4	T3087-12400	JOINT, PIPE-ASS'Y	1						
5	T3087-12410	• JOINT	1						
6	6036-12420	• KNOBBOLT	1						
7	01643-30823	• WASHER	1						
8	01252-30510	• BOLT	1						
9	3540-13260	• BOLT	1						
10	T3227-11330	GRIP ASSY	1						
11	6464-12210	• GRIP(R)	1						
12	6464-12220	• GRIP(L)	1						
13	6464-12230	• LEVER	1						
14	1638-84171	• SPRING	1						
15	6464-12240	• LEVER	1						
16	1638-84180	• SPRING	1						
17	T3227-12230	• SWITCH COMP	1						
18	T3227-11390	• CABLE COMP	1						
19	1638-84150	• STOPPER	1						
20	1638-84220	• SCREW	4						
21	6464-12250	• CLAMP	1						
22	1638-84160	• CLAMP	1						
23	00263-60620	• SCREW	2						
24	1638-84190	• NUT	2						
25	6420-17300	HANGER-ASSY	1						
26	6420-17400	• HANGER-COMP	1						
27	9366-17110	•• HANGER	1						
28	9366-17120	•• CLAMP	1						
29	6420-17410	•• SLEEVE	1						
30	0263-90525	• SCREW	1						
31	T3233-12511	PLATE-NAME	1						
32	6489-14000	HANDLE-ASSY	1						
33	6420-14311	• HANDLE	1						
34	6420-14320	• CLAMP	1						
35	0263-90535	• SCREW	4						
36	T3300-17100	STRAP-ASSY	1						
37	T3087-91000	TOOL-SET	1						
38	T3039-91310	• SOCKET	1						
39	09007-00425	• WRENCH	1						
40	09007-00528	• WRENCH	1						
41	3540-91110	• BAR	1						
42	3540-91120	• SPANNER	1						
43	T3002-91190	GOGGLE	1						