

KOMATSU ZENOAH

STRING TRIMMER

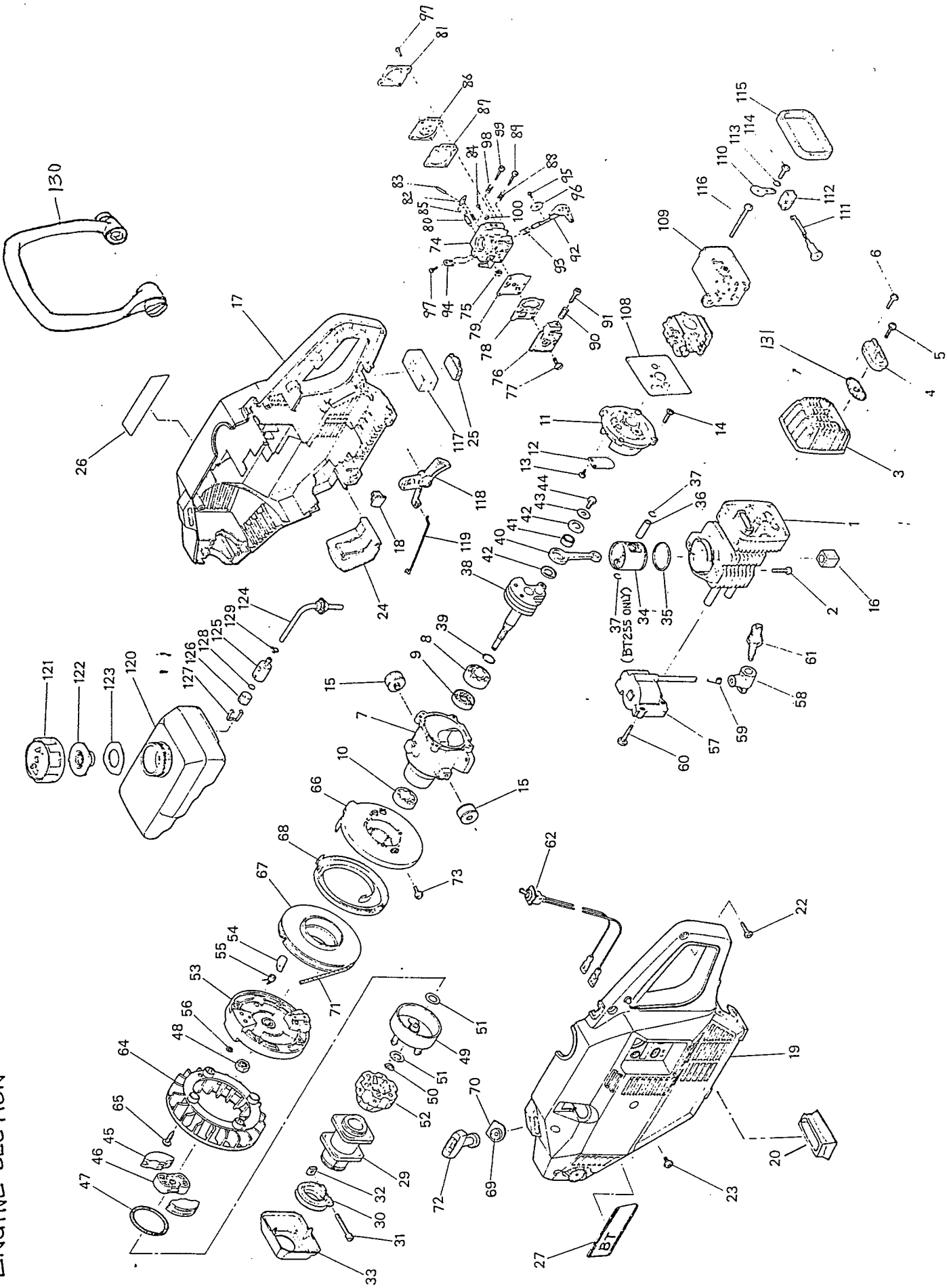
MODELS: BT190DER
BT255DER

SERVICE PARTS LIST (DRAFT)

Revised on May 28, 1987

Note: The parts indicated by " * " in the
Part Number column are supplied,
not individually but, as an assembly.
Please see the Remarks for assembly
part number.

ENGINE SECTION



ENGINE SECTION

Index No.	Part Number		Description	Q'ty per Unit	Remarks
	BT190	BT255			
1	1900-12110	1950-12111	Cylinder	1	
2	0263-30520		Screw, cylinder	2	
	1900-15100		Muffler assy		3 to 5
3	1900-15110		Muffler	1	
4	1900-15130		Tail	1	
5	1900-15140		Screw, tail	1	
6	1900-15210		Screw, muffler	1	
	1900-21100		Crankcase comp.		7 to 10
7	*		Crankcase	1	* 1900-21100
8	06030-06201		Bearing	1	
9	1260-21180		Oil seal	1	
10	06035-06001		Bearing	1	
	1900-21201		Crankcase cover assy		11 to 13
11	*		Crankcase cover	1	* 1900-21201
12	1900-21220		Reed valve	1	
13	1260-21241		Screw, reed	2	
14	1900-21250		Screw, cover	4	
15	1900-22111		Mount, side	2	
16	1950-22130		Mount, bottom	1	
17	1901-31110		Housing, right	1	
18	3080-31130		Plate	2	
19	1901-31200		Housing comp, left	1	
20	1901-31392		Stand	1	
22	1900-31410		Screw, housing	7	
23	1900-31420		Screw, mount	2	
24	1901-31510		Plug cover	1	
25	1900-31520		Grommet	1	
26	1901-31310		Label A	1	Brand
27	1901-31320	1951-31320	Label B	1	Model
29	1901-33110		Holder, pipe	1	ID 22.5mm
	1900-33200		Clamp assy		30 to 32
30	*		Clamp	1	* 1900-33200
31	01252-40535		Bolt	1	
32	1900-33230		Nut	1	
33	1900-33310		Holder cover	1	
34	1900-41110	1280-41111	Piston	1	
35	1900-41220	1280-41220	Piston ring	1	
36	1900-41310	1950-41310	Piston pin	1	
37	1260-41320		C-ring	1 / 2	
38	1950-42000		Crankshaft comp.	1	
39	1900-42410		Washer	1	
40	1260-42110		Connecting rod	1	
41	1260-00609		Roller set	1	13 pcs a set
42	1260-42251		Thrust washer	2	
43	1260-42260		Washer	1	
44	1260-42270		Bolt (L.H.)	1	
	1900-51101		Clutch assy		45 to 47
45	*		Shoe	2	* 1900-51101
46	*		Boss	1	* 1900-51101
47	1260-51222		Spring, clutch	1	
48	0282-10805		Nut, rotor	1	
49	1900-51200		Clutch drum comp.	1	
50	1900-51310		Snap ring	1	

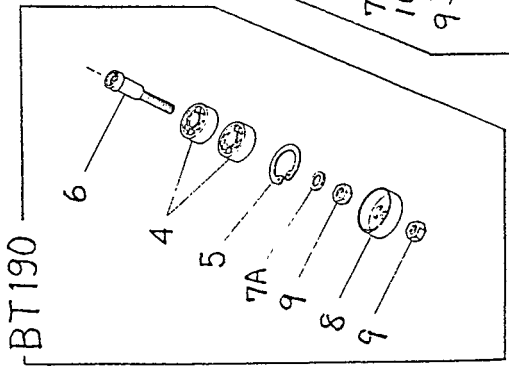
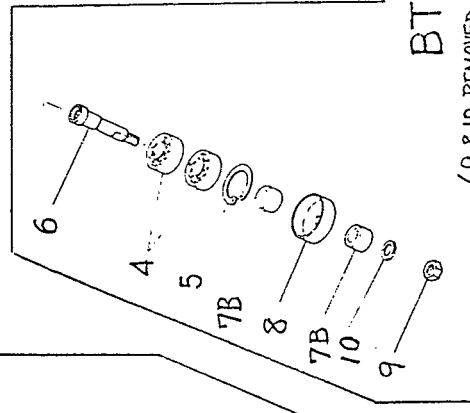
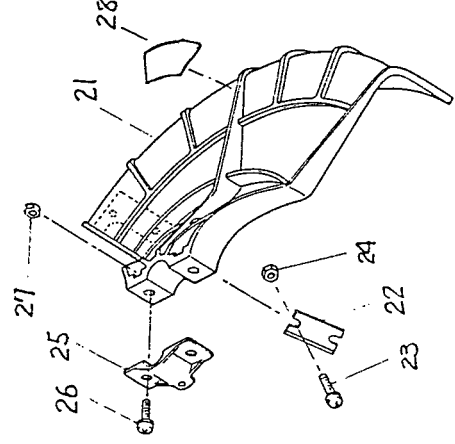
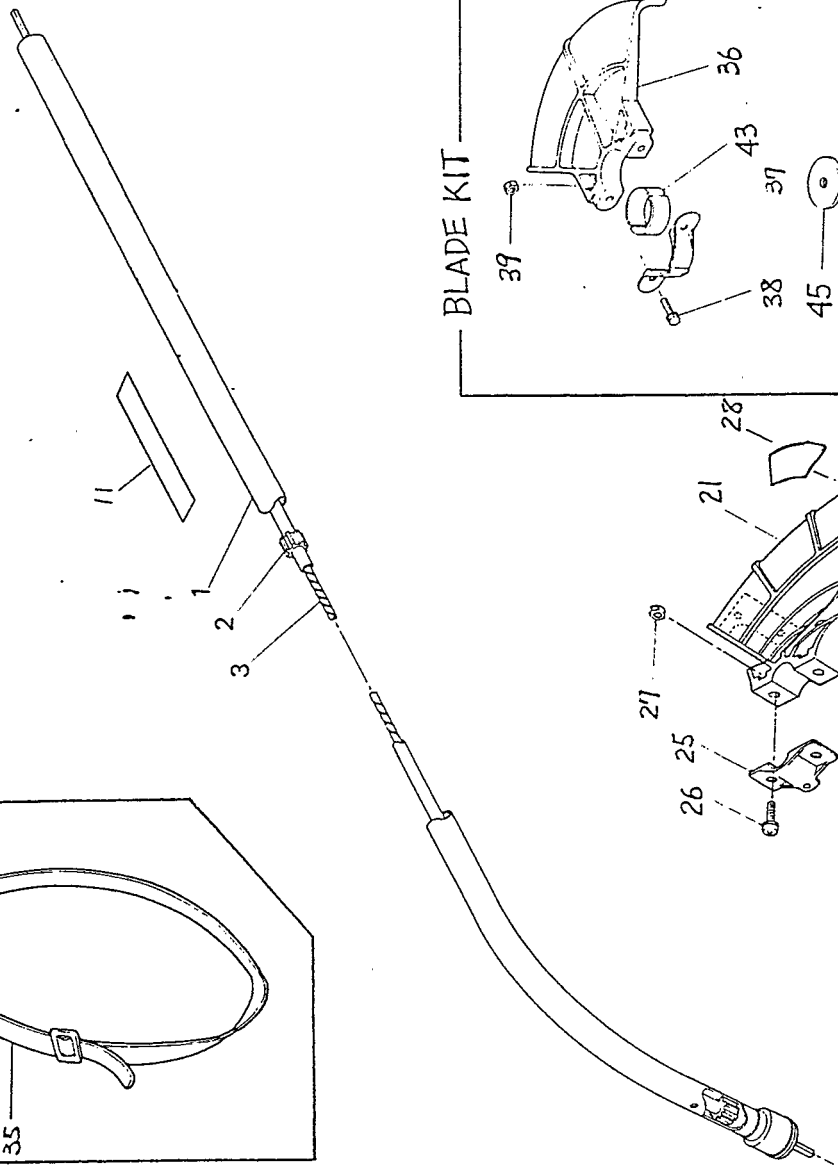
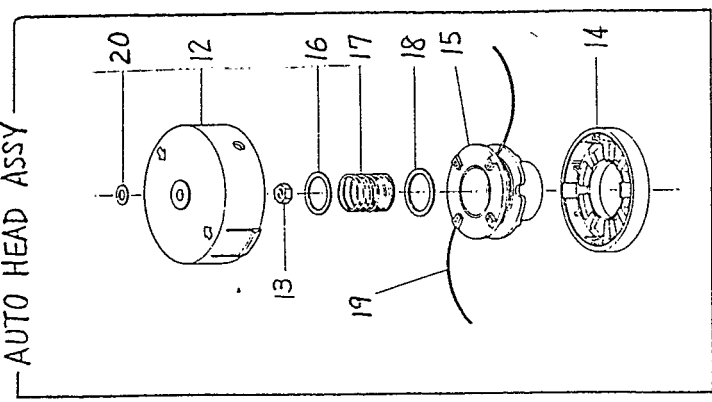
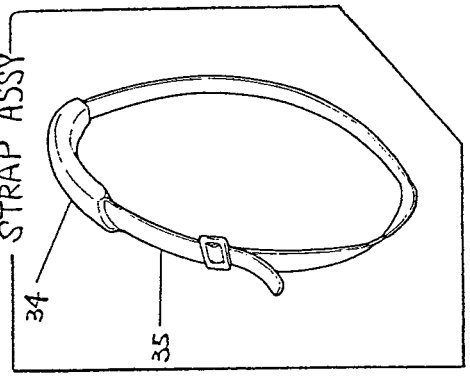
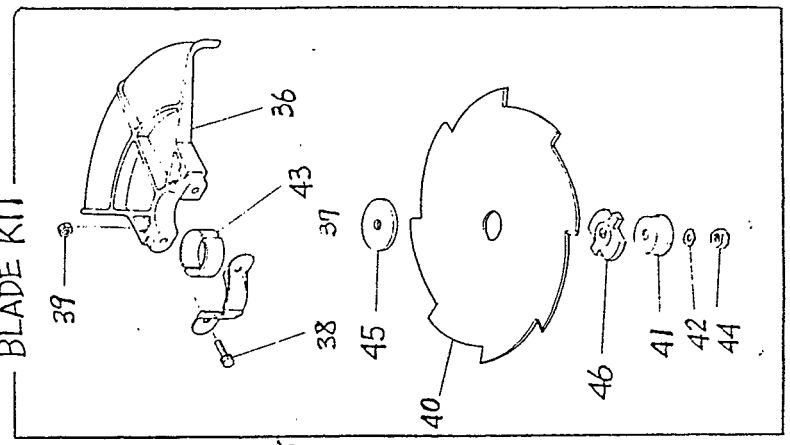
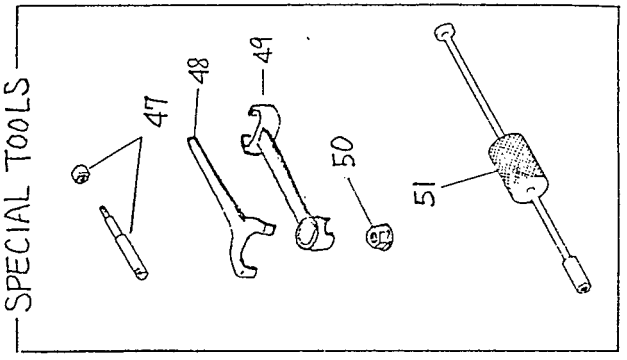
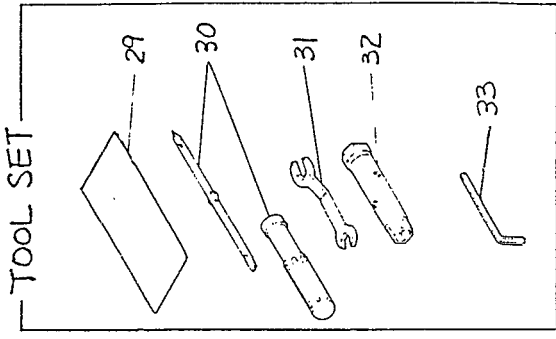
ENGINE SECTION

Index No.	Part Number		Description	Q'ty per Unit	Remarks
	BT190	BT255			
51	1900-51320		Washer	2	
52	1900-51410		Joint	1	
	1900-71101		Rotor assy		53 to 56
53	*		Rotor	1	* 1900-71101
54	1600-75220		Ratchet	1	
55	1600-75230		Spring, return	1	
56	1034-72180		E-ring	1	
57	1900-71200		Ignition coil assy	1	
58	1900-72110		Cap, spark plug	1	
59	1900-72120		Spring, terminal	1	
60	1260-71250		Screw, coil	2	
61	1216-73110		Spark plug	1	RCJ-8Y
62	1901-72200		Switch assy	1	
64	1900-74110		Fan	1	
65	1900-74210		Screw, fan	2	
	1900-75000		Starter assy		66 to 72
66	1900-75110		Case, starter	1	
67	1900-75210		Pulley	1	
68	1900-75310		Spring, rewind	1	
69	1900-75410		Guide, rope	1	
70	1900-75420		Difencer	1	
71	1900-75510		Rope	1	
72	1900-75610		Knob	1	
73	0261-00408		Screw, case	2	
	1900-81000	1951-81000	Carburetor assy		74 to 100
74	*	*	Body assy	1	* 1900-81000 WA188A * 1951-81000 WA189
75	3306-81380		Inlet screen	1	
76	2630-81120		Pump cover	1	
77	3310-81130		Screw, pump cover	1	
78	3304-81140		Pump gasket	1	
79	3304-81150		Pump diaphragm	1	
80	3310-81310		Inlet valve	1	
81	3310-81280		Diaphragm cover	1	
82	3310-81230		Metering lever	1	
83	3310-81250		Pin, lever	1	
84	3310-81240		Screw, lever	1	
85	1262-81270		Spring, lever	1	
86	3310-81260		Metering diaphragm	1	
87	3310-81290		Gasket, diaphragm	1	
88	1491-81160	3310-81160	Spring, Low needle	1	
89	2630-81170	3080-81170	Low speed needle	1	
90	2630-81460		Spring, Idle screw	1	
91	3350-81330		Idle adjust screw	1	
92	3080-81370		Throttle shaft	1	
93	3310-81411		Spring, return	1	
94	3310-81390		Clip, shaft	1	
95	3310-81360		Screw, valve	1	
96	3310-81341		Throttle valve	1	
97	3310-81351		Screw assy	5	
98	3310-81320		Spring, High needle	1	
99	1262-81330	1282-81330	High speed needle	1	
100	3304-81420		Plug	1	

ENGINE SECTION

Index No.	Part Number		Description	Q'ty per Unit	Remarks
	BT190	BT255			
108	1900-81811		Gasket, carburetor	1	
	1900-82101		Cleaner body assy		109 to 115
109	1900-82111		Body	1	
110	1900-82120		Choke plate	1	
111	1900-82130		Choke rod	1	
112	1900-82140		Grommet	1	
113	07000-01006		O-ring	1	
114	1900-15140		Screw, choke	1	
115	1900-82170		Packing	1	
116	0263-30545		Screw, carburetor	2	
117	1900-82210		Air cleaner element	1	
118	1900-83110		Throttle lever	1	
119	1900-83120		Throttle rod	1	
	1900-85000		Fuel tank assy		120 to 129
120	*		Fuel tank	1	* 1900-85000
	1601-85200		Cap assy		121 to 123
121	*		Cap	1	* 1601-85200
122	1600-85311		Vent valve	1	
123	1600-85321		Packing	1	
124	1900-85400		Pipe assy	1	
	1750 1750-85300		Filter assy		125 to 128
125	1750-85310		Weight	1	
126	1750-85320		Filter	1	
127	1750-85330		Retainer	1	
128	1750-85340		Screen	1	
129	1260-85460		Clip	1	
130	1901-34100		Handle comp.	1	
131	1900-15120		Spark arrester	1	Option

DRIVE SHAFT · ACCESSORIES · TOOLS



BT255
(9 & 10 REMOVED TO INSTALL NYLON HEAD)

DRIVESHAFT . ACCESSORIES . TOOLS

Index No.	Part Number		Description	Q'ty per Unit	Remarks
	BT190	BT255			
1	3510-11000	3511-11000	Pipe assy		1 to 10
		*	Pipe	1	* 3510-11000
2		*	Liner comp.	1	* 3511-11000
					* 3510-11000
					* 3511-11000
3	3510-11230		Flexible shaft	1	
4	06031-06201		Bearing	2	
5	04065-03212		Ring	1	
6	3238-11130	3239-16121	Shaft	1	
7A	0291-20816	-	Washer	1	
7B	-	3239-13120	Collar	2	
8	3238-11140	3239-13131	Cover	1	
9	0280-10806		Nut	2 / 1	
10	-	3180-13280	Washer	1	
11	3510-11530	3511-11530	Name plate	1	
	3510-15000		Auto head assy		12 to 20
12	3231-99111		Case	1	
13	3268-15140		Nut	1	
14	3231-99131		Cap, case	1	
15	3503-99140		Cord holder	1	
16	3268-15150		Plate, small	1	
17	3268-15160		Spring	1	
18	3268-15170		Plate, large	1	
19	3238-15180		Cord	1	2.1" x 6m
20	0291-20816		Washer	1	
	3238-23102		Guard assy		21 to 28
21	3238-23111		Guard	1	
22	3238-23130		Cutter	1	
23	0260-30412		Screw, cutter	2	
24	3238-13150		Nut, cutter	2	
25	3238-23120		Clamp	1	
26	0260-30620		Screw, clamp	2	
27	0280-10605		Nut, clamp	2	
28	3238-23160		Plate, caution	1	
	3510-91000		Tool set		29 to 33
29	3510-91110		Bag	1	
30	1030-91340		Screwdriver	1	
31	3239-91131		Spanner	1	10 x 13mm
32	3239-91310		Socket	1	
33	09007-00425		Wrench	1	
	3510-96400		Strap assy		Optional acc.
					34 & 35
34	3510-96410		Band	1	
35	3541-17200		Protector	1	
	-	3239-99901	Blade kit		Optional acc.
					36 to 46
36	-	3239-99910	Cover	1	
37	-	3242-99920	Clamp	1	
38	-	0224-10625	Bolt	2	
39	-	0280-10625	Nut	2	
40	-	3239-99960	Saw, eddy	1	200" x 8T

DRIVESHAFT . ACCESSORIES . TOOLS

Index No.	Part Number		Description	Q'ty per Unit	Remarks
	BT190	BT255			
41	-	3210-13340	Cover (B)	1	
42	-	0294-00808	Washer	1	
43	-	3239-99950	Spacer	2	
44	-	0280-10806	Nut	1	
45	-	3210-13252	Holder (A)	1	
46	-	3239-13261	Holder (B)	1	
47		1600-96300	Piston pin guide		Special tool
48		1900-96110	Spanner		Special tool
49		1260-99150	Wrench		Special tool
50		3350-53410	Nut		Special tool
51		3238-99100	Bearing puller		Special tool