

Fig.2 CUTTER GROUP

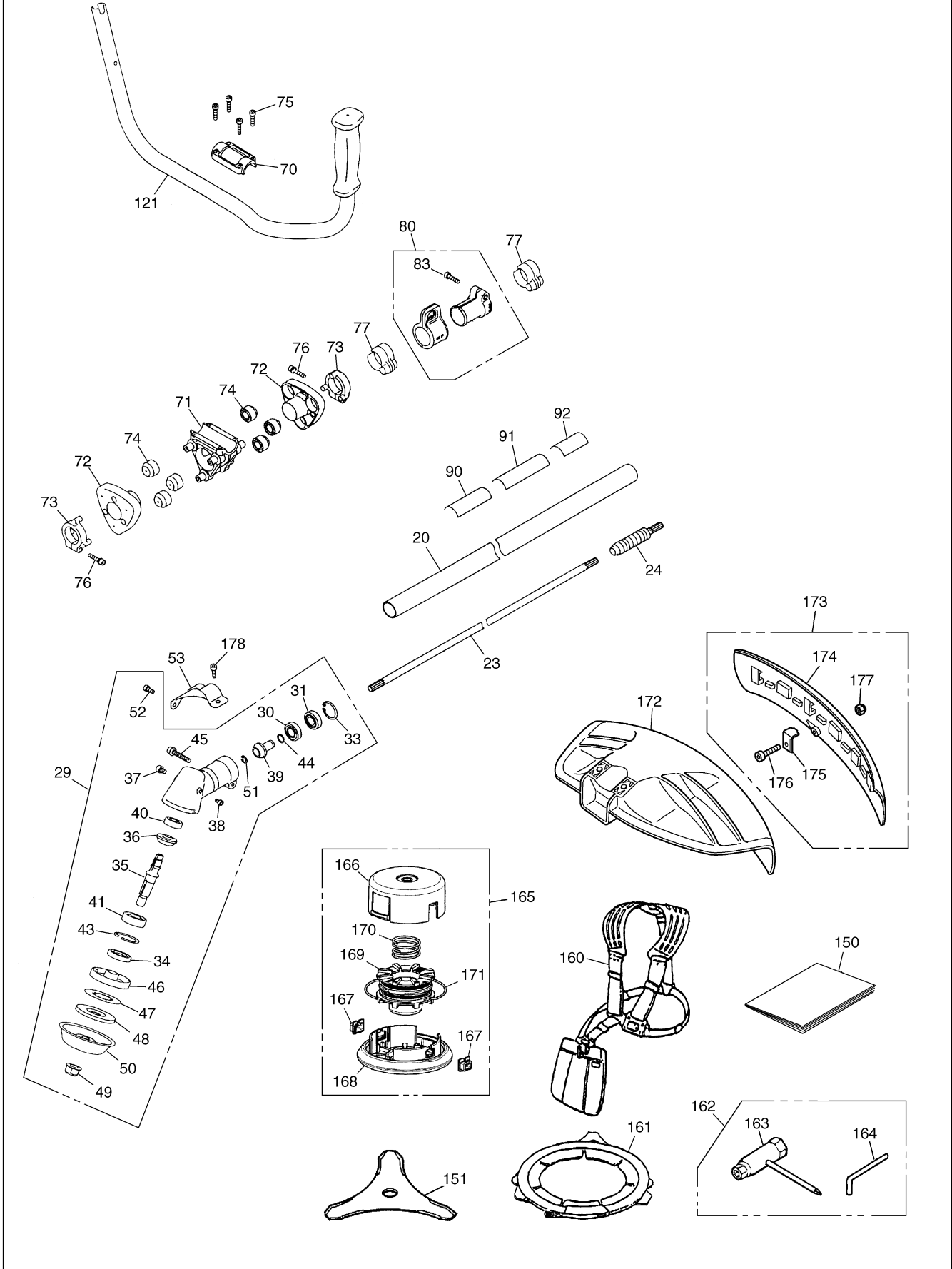


Fig.2 CUTTER GROUP

Key#	PART NUMBER	DESCRIPTION	Q'TY /UNIT	NOTE	Key#	PART NUMBER	DESCRIPTION	Q'TY /UNIT	NOTE
20	848JL05823	PIPE COMP.	1		129	8488241600	• SCREW	4	
23	848JL058E1	SHAFT	1		130	T4960-53010	• SCREW TORX	1	
24	848JL05832	JOINT COMP.	1		131	3320-15310	• NUT	1	
29	848JL06100	GEARCASE ASSY	1		132	8488P00110	• CABLE COMP.	1	
30	06000-06001	• BEARING	1		133	8488M10060	• CORD COMP.	2	
31	06001-06001	• BEARING	1		134	8488H27501	• TUBE	1	
33	04065-02812	• RING	1		150	848JL093A0	MANUAL	1	
34	8488AL3500	• SEAL	1		151	848JL092A2	BLADE	1	
35	848JL061B3	• SHAFT	1		160	6220-17202	HARNES ASSY	1	
36	848JL061C2	• GEAR	1		161	848JL092B1	COVER BLADE	1	
37	T4950-60800	• BOLT TORX	1		162	8488U00001	TOOL SET	1	
38	T4950-40800	• BOLT TORX	1		163	T4017-91130	• SOCKET	1	
39	848JL061D3	• PINION	1		164	3540-91110	• BAR	1	
40	06000-06000	• BEARING	1		165	848JL06911	TAPHEAD ASSY	1	
41	06004-06202	• BEARING	1		166	-	• CASE	1	
43	04065-03515	• RING, SNAP	1		167	T3189-15191	• EYELET	2	
44	3130-13270	• RING	1		168	T3189-15132	• COVER	1	
45	1252-30635	• BOLT TORX	1		169	T3189-15142	• CORD HOLDER	1	
46	848JL061F2	• HOLDER (A)	1		170	T3189-15160	• SPRING	1	
47	848JL061L2	• PLATE	1		171	T3189-15180	• CORD	1	
48	848JL061G2	• HOLDER (B)	1		172	848JL066A3	GUARD	1	
49	848JL061K1	• NUT M12xP1.25	1		173	848JL06633	GURD ASSY	1	
50	848JL061J3	• COVER	1		174	848JL066E3	• GUARD-N	1	
51	04065-01110	• SNAP RING	1		175	848JL066B2	• BLADE	1	
52	T4950-51200	• BOLT TORX M5xL12 T27	1		176	4820-72150	• BOLT TORX M4xL16 T27	1	
53	848JL066C2	PLATE	1		177	3238-13150	• NUT	1	
70	848JL132K1	BRACKET-UP	1		178	T4950-63040	BOLT TORX	2	
71	848JL132B2	BRACKET	1						
72	848JL132C2	HOLDER	2						
73	848JL132D1	HOLDER	2						
74	848JL132E2	CUSHION	6						
75	4820-13180	BOLT TORX M5xL20 T27	4						
76	T4950-52540	BOLT TORX	2						
77	848JL132L2	CLAMP	2						
80	848JL23812	HANGER ASSY	1						
		• HANGER	1						
		• CLAMP	1						
83	4820-13180	• BOLT TORX M5xL20 T27	1						
90	848JJ190R1	PLATE NAME	1						
91	6425-12552	PLATE	1						
121	848JL03212	HANDLE COMP.	1						
122	848JL03312	GRIP ASSY	1						
123	848JL033A2	• BODY-R	1						
124	848JL033B3	• BODY-L	1						
125	848JL033C2	• LEVER	1						
126	848JL033D1	• SPRING	1						
127	848JL033E2	• LEVER-S	1						
128	T4506-52110	• SWITCH	1						

* No.45 (1252-30635) might be changed to T4950-63540 in the future.

Fig.3 CUTTER GROUP

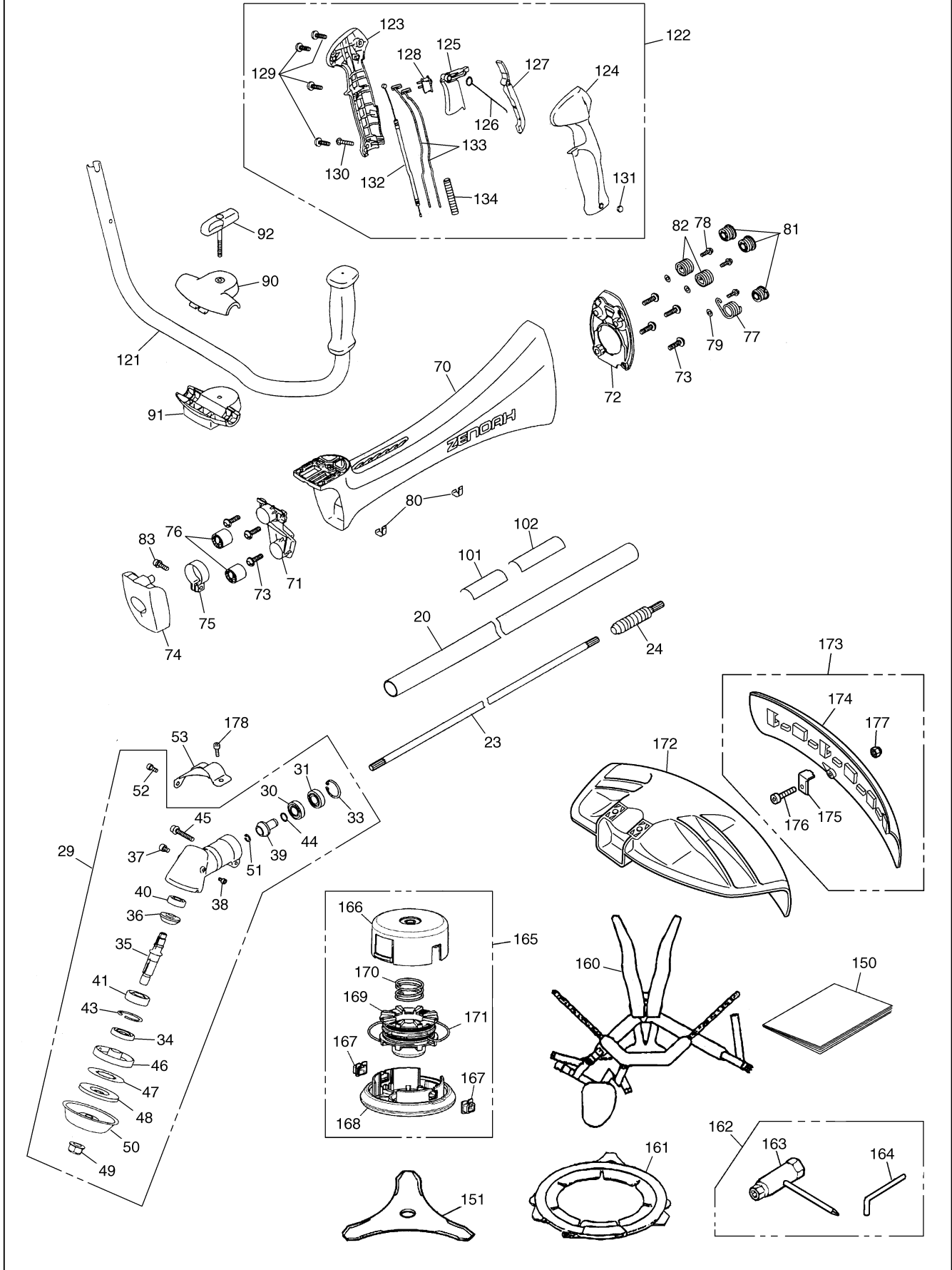


Fig.3 CUTTER GROUP

Key#	PART NUMBER	DESCRIPTION	Q'TY /UNIT	NOTE	Key#	PART NUMBER	DESCRIPTION	Q'TY /UNIT	NOTE
20	848JL05823	PIPE COMP.	1		124	848JL033B3	• BODY-L	1	
					125	848JL033C2	• LEVER	1	
23	848JL058E1	SHAFT	1		126	848JL033D1	• SPRING	1	
24	848JL05832	JOINT COMP.	1		127	848JL033E2	• LEVER-S	1	
					128	T4506-52110	• SWITCH	1	
29	848JL06100	GEARCASE ASSY	1		129	8488241600	• SCREW	4	
30	06000-06001	• BEARING	1		130	T4960-53010	• SCREW TORX	1	
31	06001-06001	• BEARING	1		131	3320-15310	• NUT	1	
					132	8488P00110	• CABLE COMP.	1	
33	04065-02812	• RING	1		133	8488M10060	• CORD COMP.	2	
34	8488AL3500	• SEAL	1		134	8488H27501	• TUBE	1	
35	848JL061B3	• SHAFT	1		150	848JL093A0	MANUAL	1	
36	848JL061C2	• GEAR	1		151	848JL092A2	BLADE	1	
37	T4950-60800	• BOLT TORX	1						
38	T4950-40800	• BOLT TORX	1		160	848JL03611	HARNES ASSY	1	
39	848JL061D3	• PINION	1		161	848JL092B1	COVER BLADE	1	
40	06000-06000	• BEARING	1		162	8488U00001	TOOL SET	1	
41	06004-06202	• BEARING	1		163	T4017-91130	• SOCKET	1	
					164	3540-91110	• BAR	1	
43	04065-03515	• RING, SNAP	1		165	848JL06911	TAPHEAD ASSY	1	
44	3130-13270	• RING	1		166	-	• CASE	1	
45	1252-30635	• BOLT TORX	1		167	T3189-15191	• EYELET	2	
46	848JL061F2	• HOLDER (A)	1		168	T3189-15132	• COVER	1	
47	848JL061L2	• PLATE	1		169	T3189-15142	• CORD HOLDER	1	
48	848JL061G2	• HOLDER (B)	1		170	T3189-15160	• SPRING	1	
49	848JL061K1	• NUT M12xP1.25	1		171	T3189-15180	• CORD	1	
50	848JL061J3	• COVER	1		172	848JL066A3	GUARD	1	
51	04065-01110	• SNAP RING	1		173	848JL06633	GURD ASSY	1	
52	T4950-51200	• BOLT TORX M5xL12 T27	1		174	848JL066E3	• GUARD-N	1	
53	848JL066C2	PLATE	1		175	848JL066B2	• BLADE	1	
					176	4820-72150	• BOLT TORX M4xL16 T27	1	
70	848JL031A3	FRAME	1		177	3238-13150	• NUT	1	
71	848JL031E2	BRACKET-F	1		178	T4950-63040	BOLT TORX	2	
72	848JL031F2	BRACKET-L	1						
73	8488251601	SCREW TP5(P-tight)xL16 T27	7						
74	848JL031B2	HOLDER	1						
75	848JL031C2	BAND	1						
76	848JL031J3	ABSORBER	2						
77	848JL031N3	SPRING	1						
78	4820-85510	BOLT TORX M5xL16 T27	3						
79	01642-20508	WASHER	3						
80	848JL032L2	CLAMP	2						
81	848JL031K3	ABSORBER	3						
82	848JL031P3	SPRING	2						
83	T4950-62040	BOLT TORX	1						
90	848JL032C2	BRACKET-UP	1						
91	848JL032D2	BRACKET-LO	1						
92	848JL032G2	KNOB	1						
100	848JJ090R1	PLATE NAME	1						
101	6425-12552	PLATE	1						
121	848JL03212	HANDLE COMP.	1						
122	848JL03312	GRIP ASSY	1						
123	848JL033A2	• BODY-R	1						

* No.45 (1252-30635) might be changed to T4950-63540 in the future.

Fig.4 ENGINE GROUP

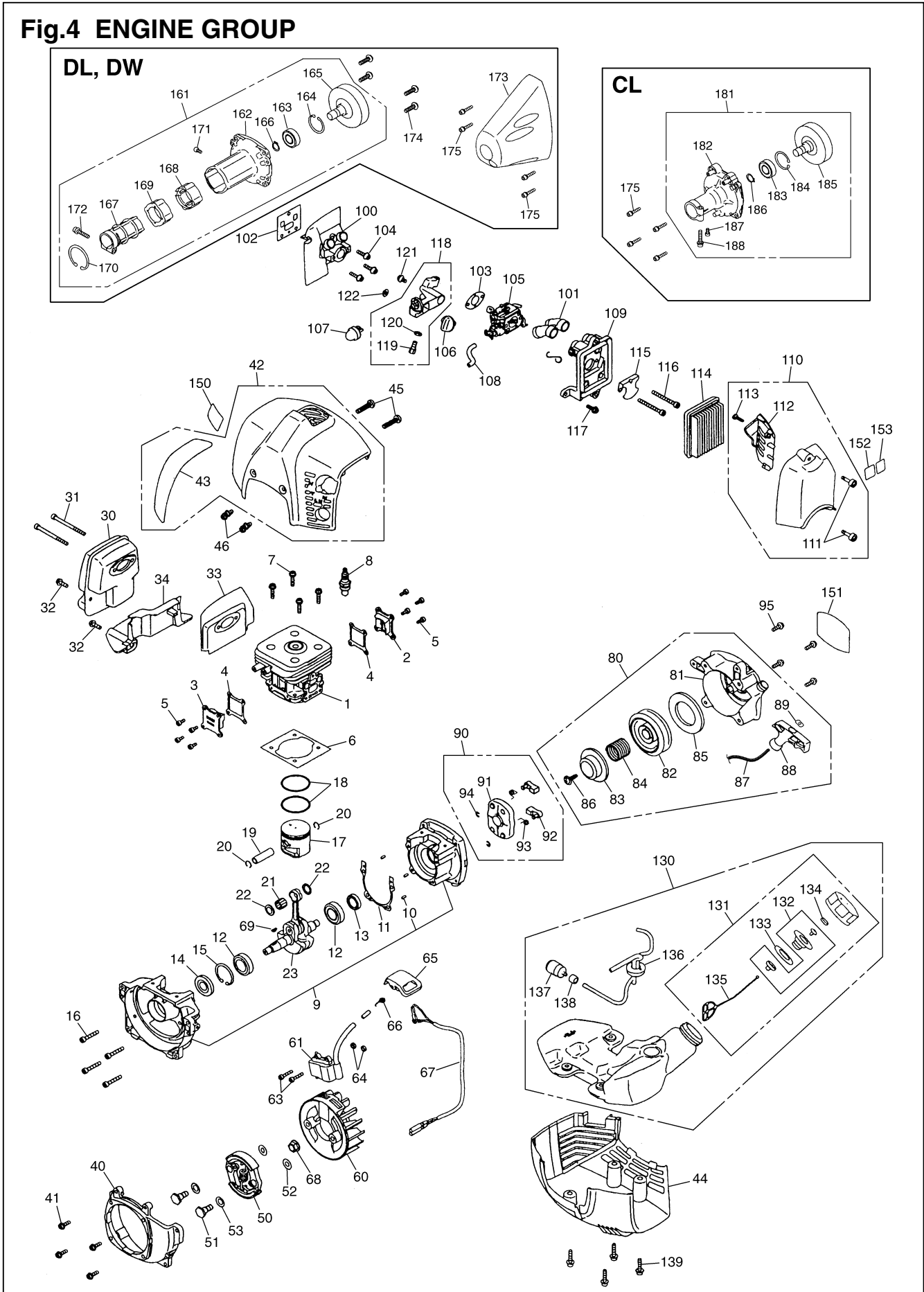
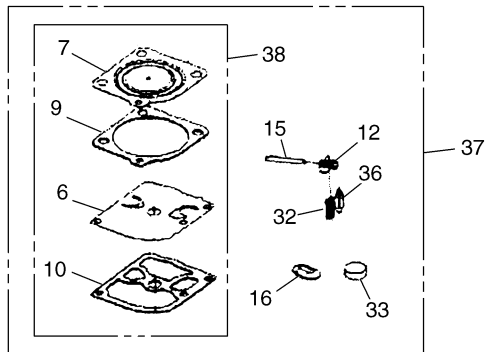
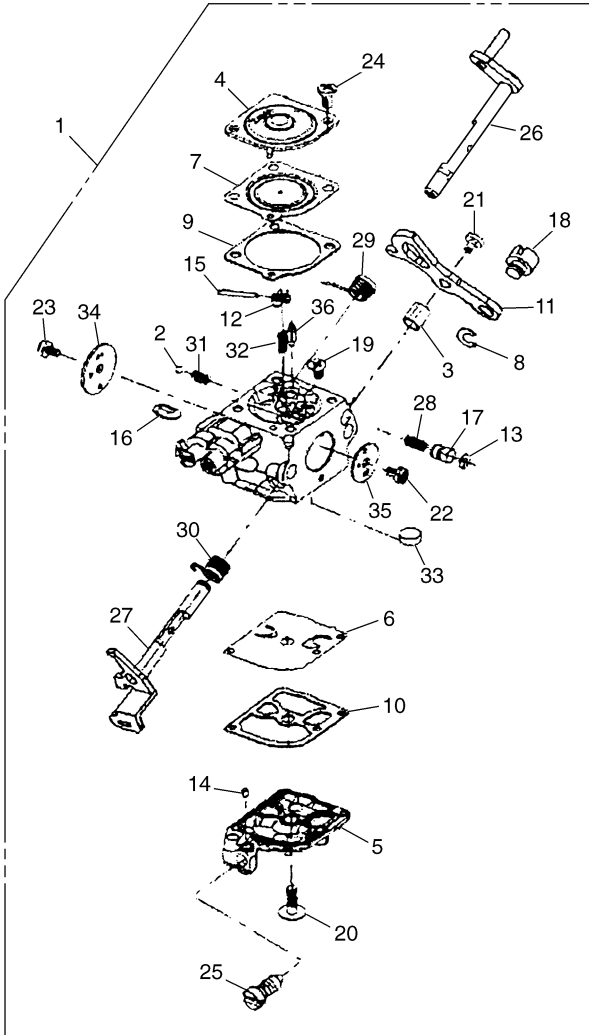


Fig.4 ENGINE GROUP

Key#	PART NUMBER	DESCRIPTION	Q'TY /UNIT	NOTE	Key#	PART NUMBER	DESCRIPTION	Q'TY /UNIT	NOTE
1	848GD012A1	CYLINDER COMP.	1	GZ45N	95	4820-32120	BOLT TORX	4	
2	848GD012C1	COVER, TR, S	1	GZ45N	100	848H7014A2	INSULATOR	1	
3	848GD012D1	COVER, TR, F	1	GZ45N	101	848H7082A1	PIPE	1	
4	848H7012E1	GASKET, TR	2		102	848H7014B1	GASKET	1	
5	4820-16310	BOLT TORX M4xL10 T27	8		103	848H7014C0	GASKET, CARB	1	
6	848H7012B1	GASKET	1		104	T4950-52021	BOLT TORX M5xL20 T27	3	
7	4820-12130	BOLT TORX M5xL22 T27	4		105	848GD08101	CARBURETOR ASSY	1	GZ45N
8	T1108-73110	SPARK PLUG	1		106	848H7082F0	KNOB	1	
9	848H702111	CRANKCASE COMP.	1		107	2850-81900	PUMP	1	
10	2629-21130	• PIN	3		108	8488F40450	TUBE	1	
11	T1400-21140	GASKET, CASE	1		109	848H708311	BODY ASSY	1	
12	84889F3511	BEARING	2		110	848H708321	COVER ASSY	1	
13	T4019-21210	SEAL	1		111	8488052011	• SCREW	2	
14	1400-21220	SEAL	1		112	848H7083Y0	• GUARD	1	
15	04065-03515	RING, SNAP	1		113	8488241600	• SCREW	1	
16	4820-21310	BOLT TORX M5xL30 T27	4		114	848H7083F1	ELEMENT	1	
17	848GD041A2	PISTON	1	GZ45N	115	T4012-82510	PLATE	1	
18	2670-41211	RING	2	GZ45N	116	4820-15310	BOLT TORX M5xL50 T27	2	
19	2880-41310	PIN	1		117	4820-85510	BOLT TORX M5xL16 T27	1	
20	3350-41320	SNAP RING	2		118	848H708220	BRACKET ASSY	1	
21	1400-41410	BEARING	1		119	T1600-13170	• SCREW	1	
22	2670-41510	WASHER	2		120	0282-10604	• NUT	1	
23	848H704201	CRANKSHAFT COMP.	1		121	T4950-51011	BOLT TORX M5xL10 T27	1	
30	848H7015A1	MUFFLER	1		122	848H7083Z0	WASHER	1	
31	01252-30565	BOLT M5xL65	2		130	848H708502	TANK ASSY	1	
32	4820-85510	BOLT TORX M5xL16 T27	2		131	T1015-85202	• CAP ASSY	1	
33	848H7015C1	GASKET	1		132	4500-85300	•• HOLDER ASSY	1	
34	T1400-15220	PLATE	1		133	4500-85220	•• PACKING	1	
40	848H7053A2	COVER	1		134	5601-85260	•• FILTER	1	
41	4820-85510	BOLT TORX M5xL16 T27	4		135	T4820-85260	•• STOPPER	1	
42	848H703110	COVER-TOP ASSY	1		136	848H708531	• PIPE COMP.	1	
43	848H7031E0	• TAPE	1		137	3302-85400	• FILTER	1	
44	848H7031N1	COVER-BOTTOM	1		138	2841-31280	• COLLER	1	
45	T4970-52000	SCREW TORX 5xL20	2		139	8488153000	BOLT	4	
46	T4950-51011	BOLT TORX M5xL10 T27	2		150	848H7090B1	LABEL, COVER	1	
50	848H705110	SHOE COMP.	1		151	848GD090C1	LABEL, RECOIL	1	GZ45N
51	1200-51211	SCREW	2		152	2634-31420	LABEL (CE)	1	
52	1200-51230	WASHER	2		153	8488X01180	LABEL	1	
53	1200-51241	WASHER	2		161	848JL15302	HOUSING ASSY	1	DL, DW
60	848H707111	ROTOR	1		162	848JL153A2	• HOUSING	1	DL, DW
61	848H707121	COIL ASSY	1		163	06004-06202	• BEARING	1	DL, DW
63	T4950-42200	BOLT TORX M4xL22 T27	2		164	04065-03515	• RING, snap	1	DL, DW
64	1260-71261	SPACER	2		165	848JL051A1	• DRUM	1	DL, DW
65	T1400-72110	CAP	1		166	04064-01510	• SNAP RING	1	DL, DW
66	1900-72120	SPRING	1		167	848JL153B2	• CLAMP	1	DL, DW
67	T1400-73200	CORD COMP.	1		168	848JL153D2	• ABSSORBER	1	DL, DW
68	1400-43230	NUT	1		169	848JL153H2	• ABSSORBER	1	DL, DW
69	1000-43240	KEY	1		170	04065-04718	• RING	1	DL, DW
80	848H707511	RECOIL ASSY	1		171	4820-12350	• BOLT TORX M5xL10 T27	1	DL, DW
81	848H707551	• CASE COMP.	1		172	T4950-63040	• BOLT TORX M6xL30 T27	1	DL, DW
82	848H7075C1	• REEL	1		173	848JL153J2	COVER	1	DL, DW
83	848H7075L1	• PLATE, CAM	1		174	8488251601	SCREW TP5(P-tight)xL16 T27	4	DL, DW
84	848H7075K1	• SPRING, DAMPER	1		175	T4950-62040	BOLT TORX M6xL20 T27	4	
85	848H7075B1	• SPRING, SPIRAL	1						
86	848H7075E1	• SCREW	1						
87	848H7075F1	• ROPE	1						
88	848H7075J1	• KNOB	1						
89	848H7075G1	• STOPPER	1						
90	848H707521	PULLEY ASSY	1						
91	848H7075P1	• PULLEY	1						
92	848H7075R1	• RATCHET	2						
93	848H7075S0	• SPRING	2						
94	1034-72180	• E RING	2						

BCZ4500DL/BCZ4500DW/BCZ4500CL

Fig.5 CARBURETOR



Key#	PART NUMBER	DESCRIPTION	Q'TY /UNIT	NOTE
1	848GD08101	CARBURETOR ASSY	1	
2	848H7080Y0	• BALL	1	
3	848H7081S0	• COLLAR	1	
4	848C5081G0	• COVER, METERING	1	
5	848C5081H0	• COVER, PUMP	1	
6	848H7081M0	• DIAPHRAGM, PUMP	1	
7	848C5081K0	• DIAPHRAGM ASSY, METERING	1	
8	848H7089A0	• E-RING	1	
9	848C5081L0	• GASKET, METERING CHAMBER	1	
10	848C5081N0	• GASKET, PUMP	1	
11	848H7081Z0	• LEVER, THROTTLE	1	
12	848C5081F0	• LEVER, METERING	1	
13	848C5080P0	• O-RING	1	
14	848C5081Y0	• PIECE, FRICTION	1	
15	848C5081E0	• PIN	1	
16	848C5081J0	• PLUG, WELCH	1	
17	848C5080N0	• PLUNGER	1	
18	848H7089B0	• POST	1	
19	848C5081D0	• SCREW	1	
20	848C5081P0	• SCREW	1	
21	848C5080R0	• SCREW	1	
22	848H7081W0	• SCREW	1	
23	848C5081W0	• SCREW	1	
24	848C5080B0	• SCREW (WITH SEPRATION)	2	
25	848H7081X0	• SCREW, THROTTLE ADJUST	1	
26	848H7080E0	• SHAFT ASSY, CHOKE	1	
27	848H7081T0	• SHAFT ASSY, THROTTLE	1	
28	848C5080M0	• SPRING	1	
29	848H7080D0	• SPRING, CHOKE RETURN	1	
30	848H7081R0	• SPRING, THROTTLE RETURN	1	
31	848H7080Z0	• SPRING, FRICTION	1	
32	848H7081C0	• SPRING, METERING LEVER	1	
33	848C5081A0	• STRAINER	1	
34	848H7080C0	• VALVE, CHOKE	1	
35	848H7081U0	• VALVE, THROTTLE	1	
36	848C5081B0	• VALVE, INLET NEEDLE	1	
37	848H700630	REBUILD KIT	1	
38	848H700620	• GASKET & DIAPHRAGM KIT	1	