

# PARTS LIST

## BRUSHCUTTERS

# BC4500DWM

**NOTE :**

1. Use KOMATSU ZENOAH genuine parts as specified in the parts list for repair and/or replacement.
2. KOMATSU ZENOAH does not warrant the machines, which have been damaged by the use of any parts other than those specified by the company.
3. When placing parts orders for repair and/or replacement, check if the model name and the serial number are applicable to those specified in the parts list, then use parts number described in the parts list.
4. The contents described in the parts list are accurate as of the date and may change due to improvement.
5. The parts for the machine shall be supplied ten (10) years after the machine is discontinued. [It is possible that some specific parts may be subject to change of their delivery term and list price within the limit of ten (10) years after the machine is discontinued. It is also possible that some parts may be available even after the limit of ten (10) years.]

**APPLICABLE SERIAL NUMBERS:**

DRIVE UNIT	200001 and up
ENGINE UNIT	100101 and up

January 2002

Fig.5 CUTTER GROUP

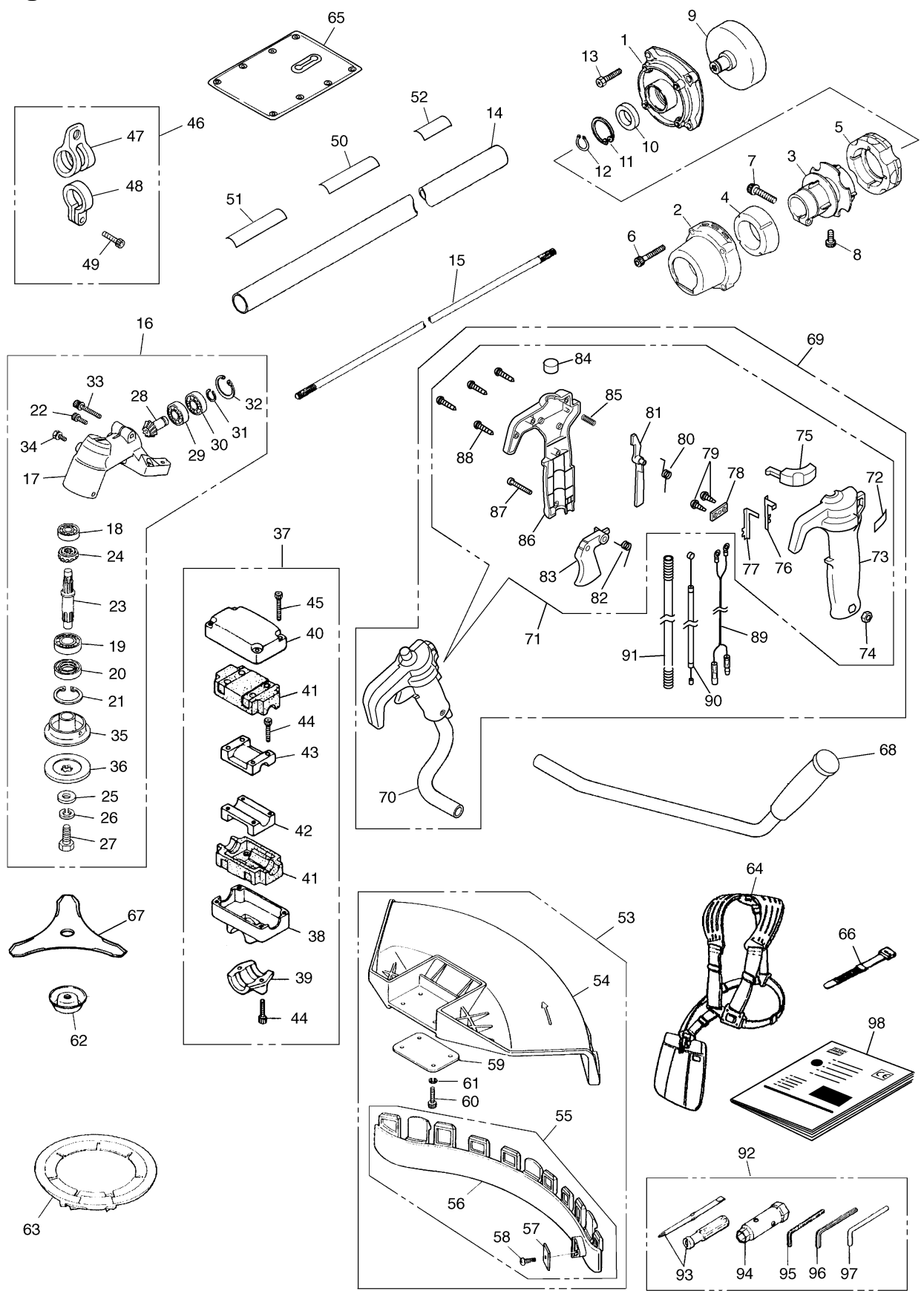


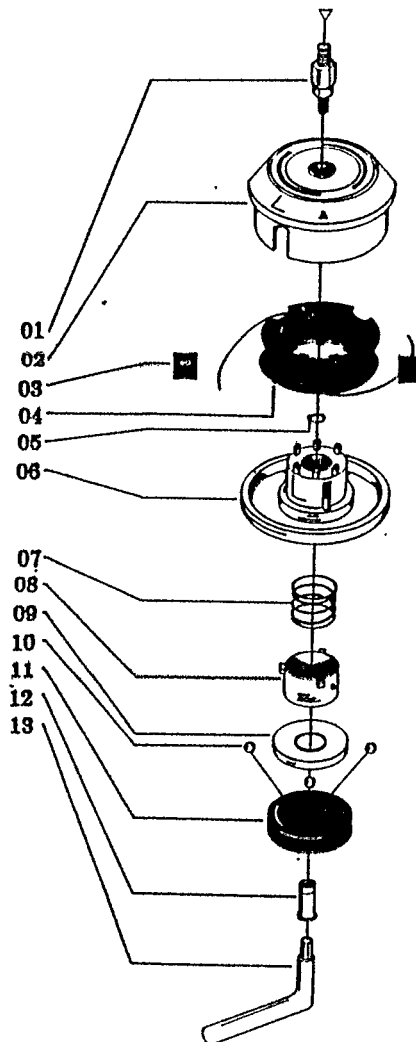
Fig.5 CUTTER GROUP

Key#	PART NUMBER	DESCRIPTION	Q'TY /UNIT	NOTE	Key#	PART NUMBER	DESCRIPTION	Q'TY /UNIT	NOTE
1	4050-11110	HOUSING	1		65	4050-17110	PROTECTOR	1	
2	4050-11150	CAP	1		66	3540-93120	BAND	1	
3	T3042-11210	JOINT	1		67	6298-E3390	SAW	1	
4	4050-11250	ABSORBER-F	1		68	T3111-14300	HANDLE-L COMP	1	
5	4050-11260	ABSORBER-R	1		69	T3113-14100	HANDLE-R COMP	1	
6	01252-30530	BOLT	4		70	T3111-14110	• HANDLE-R	1	
7	01252-30630	BOLT	1		71	K6010-000550	• GRIP&LEV, COMP	1	
8	01252-30510	BOLT	1		72	K2200-000040	•• LABEL	1	
9	4050-11311	DRUM	1		73	K2300-000050	•• GRIP (L)	1	
10	T3149-11350	BEARING	1		74	B1181-040545	•• NUT	1	
11	04065-03515	RING	1		75	K2300-000080	•• SWITCH	1	
12	04064-01510	RING	1		76	K5100-000030	•• SPRING	1	
13	3544-11510	BOLT	4		77	K5100-000040	•• SPRING	1	
14	T3151-12100	PIPE COMP	1	ø28x1500	78	K2300-000090	•• HOLDER	1	
15	6340-12211	SHAFT	1	ø8x1540	79	B1122-C2910H	•• SCREW, M3x10	2	Tapping
16	6562-13000	GEARCASE-ASS'Y	1		80	K5100-000020	•• SPRING	1	
17	6562-13110	• GEARCASE	1		81	K2300-000070	•• LEVER	1	
18	06000-06000	• BEARING	1		82	K5100-000010	•• SPRING	1	
19	06000-06202	• BEARING	1		83	K2300-000060	•• LEVER	1	
20	3130-13141	• SEAL	1		84	K1300-000060	•• PLUG	1	
21	04065-03515	• RING	1		85	K5100-000050	•• SPRING	1	
22	01252-30510	• BOLT	1		86	K2300-000040	•• GRIP (R)	1	
23	3540-13212	• SHAFT, gear	1		87	B1111-A0530H	•• SCREW, M5x30	1	
24	3540-13220	• GEAR	1		88	B1122-C4220H	•• SCREW, M4x20	5	Tapping
25	01643-31032	• WASHER	1		89	K5200-000070	• CORD	1	
26	3544-13280	• WASHER	1		90	K5100-000130	• CABLE	1	
27	3540-13290	• BOLT	1	M10(L)	91	K5200-000080	• TUBE	1	
28	3540-13311	• PINION	1		92	T3113-91000	TOOL KIT	1	
29	06000-06001	• BEARING	1		93	1030-91340	• DRIVER	1	
30	06001-06001	• BEARING	1		94	3144-91160	• SOCKET	1	
31	3130-13270	• RING	1		95	09007-00425	• WRENCH	1	
32	04065-02812	• RING	1		96	09007-00528	• WRENCH	1	
33	3540-13260	• BOLT	1		97	3540-91110	• BAR	1	
34	0224-40610	• BOLT	1		98	T3149-93110	MANUAL	1	
35	6251-13240	• HOLDER(A)	1						
36	3540-13251	• HOLDER(B)	1						
37	3540-14900	BRACKET-ASS'Y	1						
38	3540-14910	• BRACKET	1						
39	3540-14920	• CAP-L	1						
40	3540-14930	• CAP-U	1						
41	3540-14140	• ABSORBER	2						
42	3540-14150	• CLAMP-A	1						
43	3540-14160	• CLAMP-B	1						
44	01252-30525	• BOLT	6						
45	01252-30530	• BOLT	4						
46	T3042-17100	HANGER ASSY	1						
47	6520-17110	• HANGER	1						
48	6520-17120	• CLAMP	1						
49	0263-90525	• SCREW	1						
50	T3152-12510	PLATE, name	1						
51	T3152-12590	PLATE, number	1						
52	6425-12552	PLATE, caution	1						
53	6489-24000	GUARD ASSY	1						
54	6489-24110	• GUARD	1						
55	6489-24200	• PLATE COMP	1						
56	6489-24210	•• PLATE	1						
57	6489-24220	•• BLADE	1						
58	0277-10412	•• SCREW	1						
59	6489-24120	• PLATE	1						
60	01252-30516	• BOLT	4						
61	01601-20513	• WASHER	4						
62	3540-13283	COVER	1						
63	6251-15910	COVER	1						
64	T3163-17200	HARNES ASSY	1						

# Reservedelsliste for Feed-Matic snørehoved

for 'TEXAS' buskryddere

1992/1



Pos.nr.	Best.nr.	Tekst
01	10-101007	Adapter for BC 220
01a	10-101008	Adapter for 340 M
01b	10-101010	Adapter for 431 M
02	10-101061	Spolehus
03	10-106003	Snørestyr
04	10-101030	Spole
05	10-103025	Låsering
06	10-101053	Bund for spolehus
06a	10-201003	Komplet bund pos. 5-12
07	10-107006	Fjeder
08	10-101069	Fjederholder
09	10-101070	Kugleskål
10	10-102073	Stålkugle
11	10-101071	Kugleholder
12	10-101056	Bolt
13	10-109006	Nøgle
14	22007100	Snørehoved for BC 220 7 MM
15	34008125	Snørehoved for 340 M 8 MM
16	43110125	Snørehoved for 431 M 10 MM

Fig.6 ENGINE GROUP

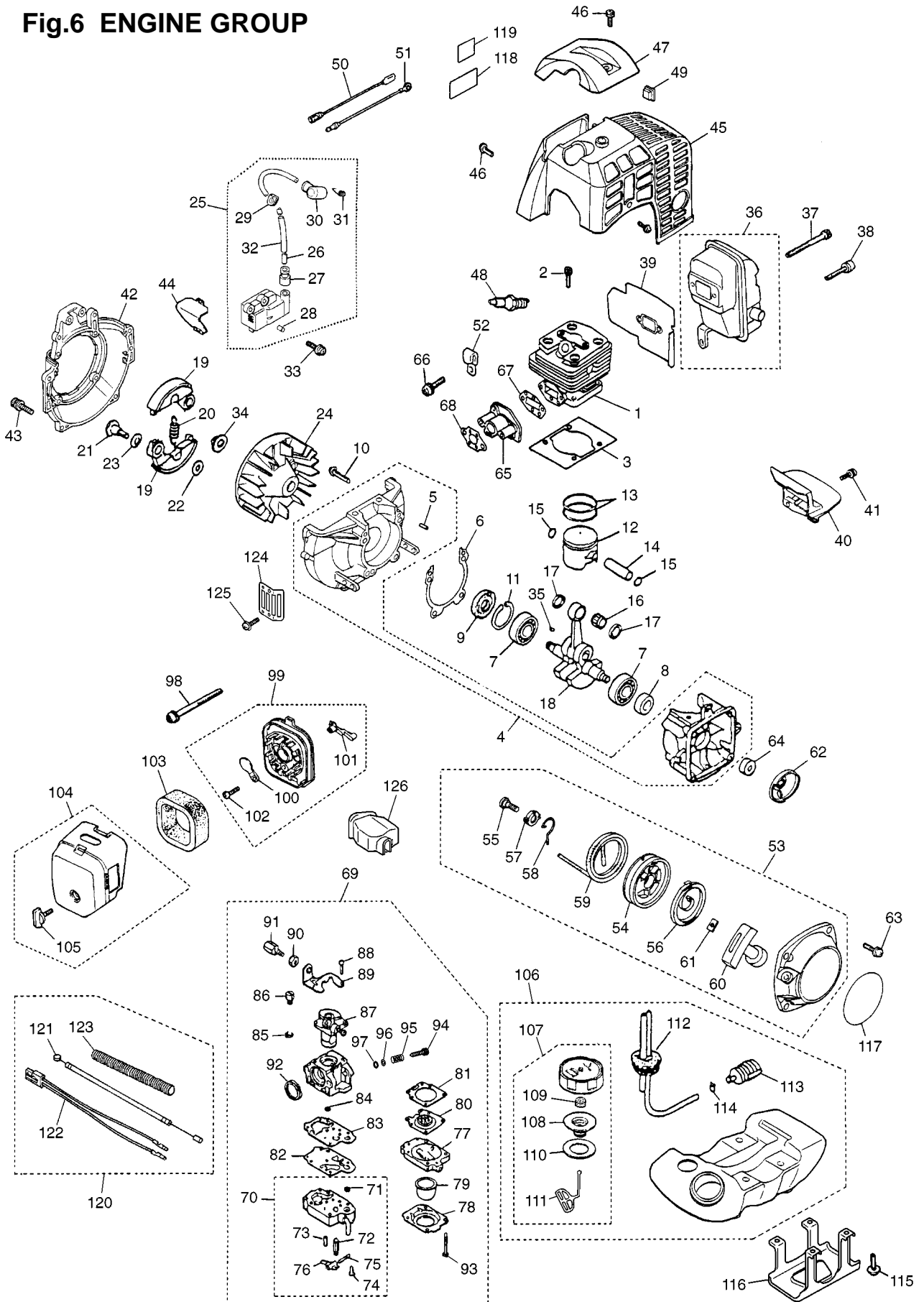


Fig.6 ENGINE GROUP

Key#	PART NUMBER	DESCRIPTION	Q'TY /UNIT	NOTE	Key#	PART NUMBER	DESCRIPTION	Q'TY /UNIT	NOTE
1	4500-12110	CYLINDER	1		66	4500-13181	SCREW	2	M5x20
2	1850-12130	BOLT	4	M5x20	67	4500-13150	GASKET, insulator	1	
3	4500-13120	GASKET, base	1		68	4500-13130	GASKET, carburetor	1	
4	4500-21101	CRANKCASE COMP.	1		69	4500-81001	CARBURETOR ASS'Y	1	WYK-93
5	2629-21130	• PIN	3		70	1850-81450	• BODY ASS'Y	1	
6	4500-21140	GASKET, case	1		71	3306-81380	•• SCREEN	1	
7	06030-06201	BEARING	2		72	3356-81310	•• VALVE	1	
8	4810-21210	OIL SEAL	1		73	1850-81270	•• SPRING	1	
9	1650-21220	OIL SEAL	1		74	1850-81220	•• SCREW	1	
10	01252-30530	BOLT	4	M5x30	75	3310-81250	•• PIN	1	
11	04065-03212	SNAP RING	1		76	3310-81230	•• LEVER	1	
12	4500-41110	PISTON	1		77	1850-81490	• BODY, purge	1	
13	1400-41220	RING	2		78	1850-81520	• COVER, pump	1	
14	2850-41310	PIN	1		79	1751-81510	• PUMP, priming	1	
15	1300-41320	RING	2		80	3310-81260	• DIAPHRAGM	1	
16	T2100-41410	BEARING	1		81	1850-81470	• GASKET, diaphragm	1	
17	2850-41510	WASHER	2		82	1065-81420	• DIAPHRAGM, pump	1	
18	4500-42000	CRANKSHAFT COMP.	1		83	1065-81410	• GASKET, pump	1	
19	4500-51111	SHOE, clutch	2		84	5500-81160	• WASHER	1	
20	4500-51220	SPRING	1		85	1751-81130	• RING	1	
21	1200-51211	SCREW	2		86	1881-81140	• SWIVEL	1	
22	1200-51230	WASHER	2		87	4500-81150	• VALVE ASS'Y	1	
23	1200-51241	WASHER	2		88	1752-81110	• SCREW	2	
24	T1153-71110	ROTOR	1		89	5500-81120	• BRACKET	1	
25	T1153-71200	COIL ASS'Y	1		90	1751-81180	• NUT, adjuster	1	
26	4500-71220	• CORD	1		91	5730-81170	• SCREW, adjuster	1	
27	2616-71320	• CAP	1		92	1881-81130	• RING	1	
28	T1153-71250	• PIN	2		93	1850-81530	• SCREW	4	
29	5500-72130	• GROMMET	1		94	1484-81610	• NEEDLE, high	1	
30	5500-72110	• CAP, plug	1		95	1491-81160	• SPRING	1	
31	5500-72120	• SPRING	1		96	1881-81190	• WASHER	1	
32	T1512-71320	• TUBE	1		97	1881-81240	• O-RING	1	
33	3350-14150	BOLT	2	M4x20	98	0263-90550	SCREW	2	
34	1650-43230	NUT	1		99	T1184-82101	BODY ASS'Y	1	
35	1000-43240	KEY	1		100	T1184-82130	• PLATE, choke	1	
36	4500-15110	MUFFLER ASS'Y	1		101	4500-82140	• LEVER, choke	1	
37	01252-30565	BOLT	2		102	2630-33610	• SCREW	1	
38	3310-31720	BOLT	1	M5x14	103	4500-82170	ELEMENT	1	
39	4700-15211	GASKET, muffler	1		104	4500-82202	COVER ASS'Y	1	
40	4500-15221	PLATE, muffler	1		105	5500-82221	• KNOB	1	
41	0263-90514	SCREW	1		106	T1015-85003	TANK ASS'Y	1	
42	T1117-31111	COVER	1		107	T1015-85202	• CAP ASS'Y	1	
43	3310-12281	BOLT	4	M5x20	108	4500-85300	•• HOLDER-A	1	
44	4500-31210	PLATE	1		109	5601-85260	•• FILTER	1	
45	4500-32110	COVER	1		110	4500-85220	•• PACKING	1	
46	4500-32120	SCREW	4		111	4820-85260	•• STOPPER	1	
47	4500-32210	GUARD	1		112	T1015-85300	• PIPE COMP.	1	
48	5933-73110	SPARKPLUG (Champion)	1	BPMR7A	113	3302-85400	• FILTER ASS'Y	1	
49	1852-72121	GROMMET	1		114	1260-85460	• CLIP	1	
50	T1153-71240	CORD	1		115	1600-86120	SCREW	4	
51	T1006-73230	CORD, earth	1		116	T1184-31911	GUARD	1	
52	1140-72231	CLAMP	1		117	T1117-75411	LABEL, recoil	1	
53	4500-75100	RECOIL ASS'Y	1		118	1660-31121	LABEL	1	
54	4500-75120	• REEL	1		119	2634-31420	LABEL (CE)	1	
55	4500-75150	• SCREW	1		120	T1013-83000	CABLE ASS'Y	1	DLM
56	1850-75130	• SPRING, spiral	1		121	T1013-83100	• CABLE	1	DLM
57	4500-75180	• COLLAR	1		122	2247-73200	• CORD	1	DLM
58	4500-75190	• ARM	1		123	2319-73310	• TUBE	1	DLM
59	4500-75160	• ROPE	1		124	4500-22110	GUARD	1	
60	1140-75320	• KNOB	1		125	0263-90514	SCREW	1	M5x4
61	5500-75170	• PLATE, stopper	1		126	4500-81910	COVER	1	
62	4500-75210	PULLEY	1						
63	4500-75511	SCREW	4						
64	4700-75310	COLLAR	1						
65	4500-13161	INSULATOR	1						