

# PARTS LIST

## BRUSHCUTTERS

**BCZ4500DL**  
**BCZ4500DW**  
**BCZ4500CL**

**NOTE :**

1. Use KOMATSU ZENOAH genuine parts as specified in the parts list for repair and/or replacement.
2. KOMATSU ZENOAH does not warrant the machines, which have been damaged by the use of any parts other than those specified by the company.
3. When placing parts orders for repair and/or replacement, check if the model name and the serial number are applicable to those specified in the parts list, then use parts number described in the parts list.
4. The contents described in the parts list are accurate as of the date and may change due to improvement.
5. The parts for the machine shall be supplied ten (10) years after the machine is discontinued. [It is possible that some specific parts may be subject to change of their delivery term and list price within the limit of ten (10) years after the machine is discontinued. It is also possible that some parts may be available even after the limit of ten (10) years.]

**APPLICABLE SERIAL NUMBERS:**

DRIVE UNIT	40100101 and up
ENGINE UNIT	40100101 and up

February 2004

Fig.1 CUTTER GROUP

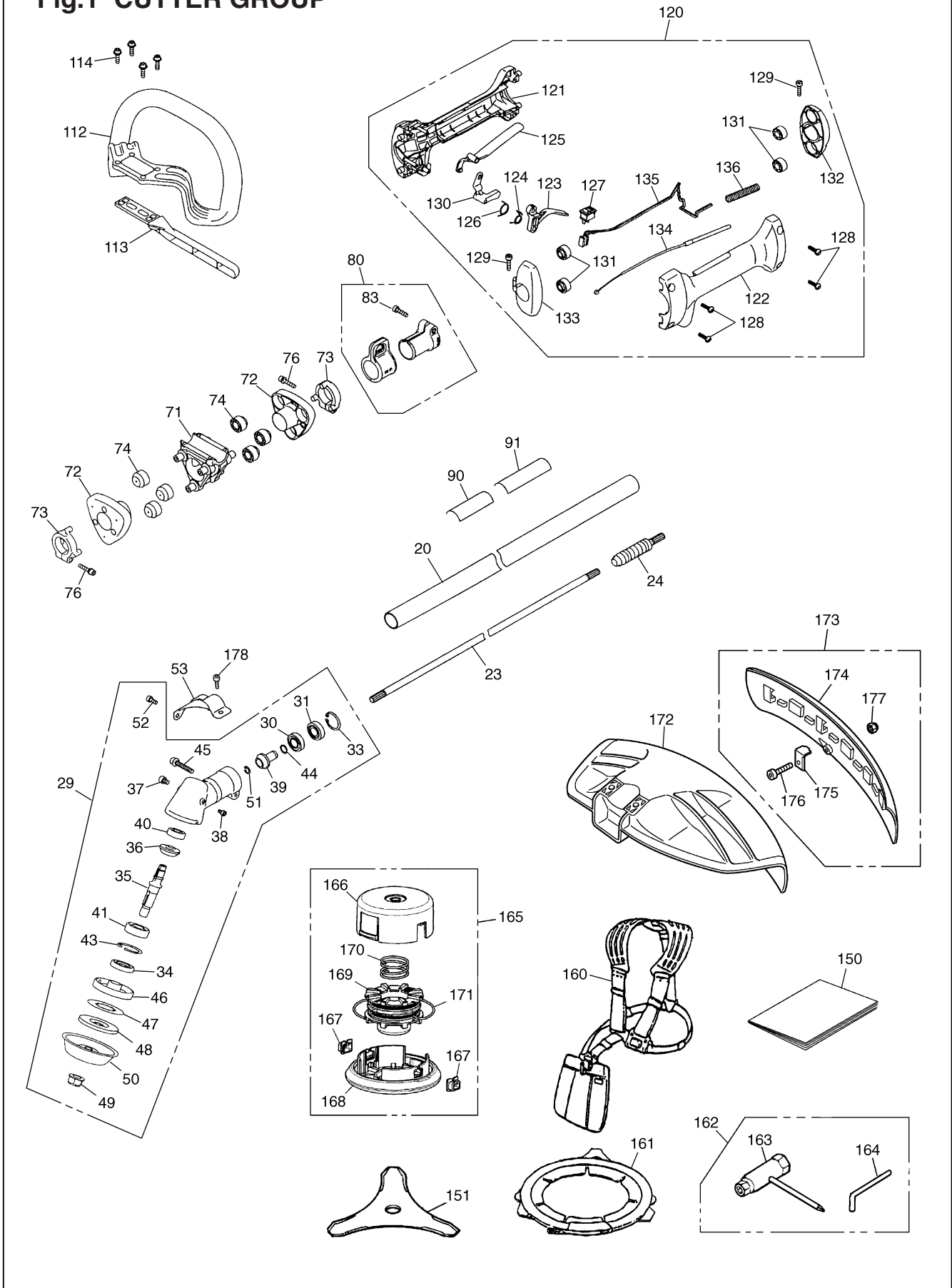


Fig.1 CUTTER GROUP

Key#	PART NUMBER	DESCRIPTION	Q'TY /UNIT	NOTE	Key#	PART NUMBER	DESCRIPTION	Q'TY /UNIT	NOTE
20	848JL05823	PIPE COMP.	1		126	848JL233F2	• SPRING	1	
					127	T4506-52110	• SWITCH	1	
23	848JL058E1	SHAFT	1		128	8488251601	• SCREW TP5(P-tight)xL16 T27	4	
24	848JL05832	JOINT COMP.	1		129	4820-13180	• BOLT TORX M5xL20 T27	2	
					130	848JL233G2	• LEVER	1	
29	848JL06100	GEARCASE ASSY	1		131	848JL233H3	• ABSORBER	4	
30	06000-06001	• BEARING	1		132	848JL233K2	• HOLDER REAR		
31	06001-06001	• BEARING	1		133	848JL233J2	• HOLDER FRONT	1	
					134	8488P40080	• CABLE COMP.	1	
33	04065-02812	• RING	1		135	8488M10070	• CORD COMP.	2	
34	8488AL3500	• SEAL	1		136	8488H20701	• TUBE	1	
35	848JL061B3	• SHAFT	1		150	848JL093A0	MANUAL	1	
36	848JL061C2	• GEAR	1		151	848JL092A2	BLADE	1	
37	T4950-60800	• BOLT TORX M6xL8 T27	1						
38	T4950-40800	• BOLT TORX M4xL8 T27	1		160	6220-17202	HARNES ASSY	1	
39	848JL061D3	• PINION	1		161	848JL092B1	COVER BLADE	1	
40	06000-06000	• BEARING	1		162	8488U00001	TOOL SET	1	
41	06004-06202	• BEARING	1		163	T4017-91130	• SOCKET	1	
					164	3540-91110	• BAR	1	
43	04065-03515	• RING, SNAP	1		165	848JL06911	TAPHEAD ASSY	1	
44	3130-13270	• RING	1		166	-	• CASE	1	
45	1252-30635	• BOLT TORX	1		167	T3189-15191	• EYELET	2	
46	848JL061F2	• HOLDER (A)	1		168	T3189-15132	• COVER	1	
47	848JL061L2	• PLATE	1		169	T3189-15142	• CORD HOLDER	1	
48	848JL061G2	• HOLDER (B)	1		170	T3189-15160	• SPRING	1	
49	848JL061K1	• NUT M12xP1.25	1		171	T3189-15180	• CORD	1	
50	848JL061J3	• COVER	1		172	848JL066A3	GUARD	1	
51	04065-01110	• SNAP RING	1		173	848JL06633	GURD ASSY	1	
52	T4950-51200	• BOLT TORX M5xL12 T27	1		174	848JL066E3	• GUARD-N	1	
53	848JL066C2	PLATE	1		175	848JL066B2	• BLADE	1	
					176	4820-72150	• BOLT TORX M4xL16 T27	1	
71	848JL132B2	BRACKET	1		177	3238-13150	• NUT	1	
72	848JL132C2	HOLDER	2		178	T4950-63040	BOLT TORX M6xL30 T27	2	
73	848JL132D1	HOLDER	2						
74	848JL132E2	CUSHION	6						
76	T4950 52540	BOLT TORX M5xL25 T27	2						
80	848JL23812	HANGER ASSY							
		• HANGER	1						
		• CLAMP							
83	4820-13180	• BOLT TORX M5xL20 T27	1						
90	848JJ190R1	PLATE NAME	1						
91	6425-12552	PLATE	1						
112	848JL232A2	HANDLE	1						
113	848JL232F3	BARRIER	1						
114	T4950-52030	BOLT TORX TORX 5xL20 T27	4						
120	848JL23312	GRIP ASSY	1						
121	848JL233A3	• BODY-R	1						
122	848JL233B2	• BODY-L	1						
123	848JL233C3	• LEVER	1						
124	848JL233D2	• SPRING	1						
125	848JL233E2	• LEVER-S	1						

\* No.45 (1252-30635) might be changed to T4950-63540 in the future.

Fig.2 CUTTER GROUP

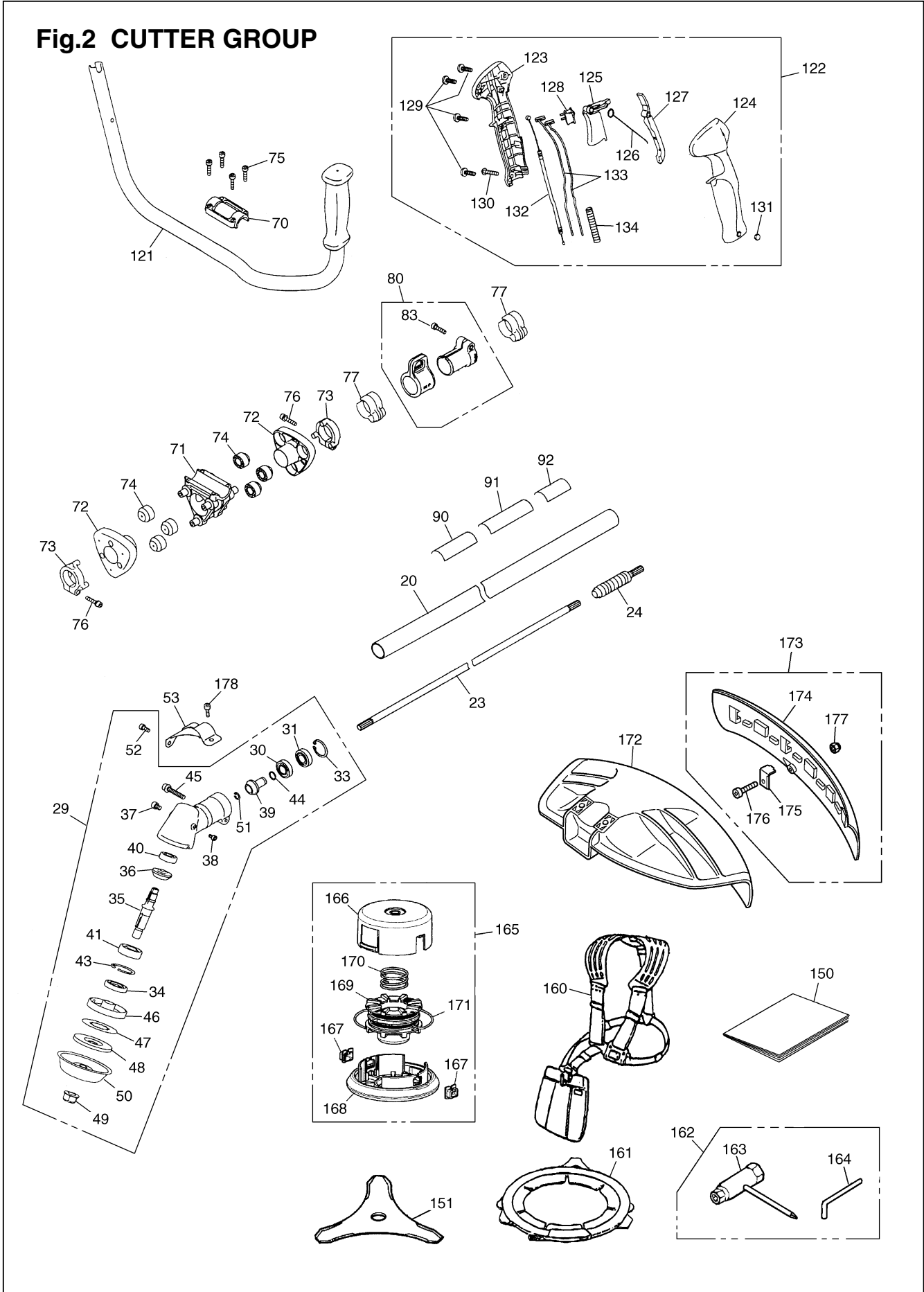


Fig.2 CUTTER GROUP

Key#	PART NUMBER	DESCRIPTION	Q'TY /UNIT	NOTE	Key#	PART NUMBER	DESCRIPTION	Q'TY /UNIT	NOTE
20	848JL05823	PIPE COMP.	1		129	8488241600	• SCREW	4	
23	848JL058E1	SHAFT	1		130	T4960-53010	• SCREW TORX	1	
24	848JL05832	JOINT COMP.	1		131	3320-15310	• NUT	1	
29	848JL06100	GEARCASE ASSY	1		132	8488P00110	• CABLE COMP.	1	
30	06000-06001	• BEARING	1		133	8488M10060	• CORD COMP.	2	
31	06001-06001	• BEARING	1		134	8488H27501	• TUBE	1	
33	04065-02812	• RING	1		150	848JL093A0	MANUAL	1	
34	8488AL3500	• SEAL	1		151	848JL092A2	BLADE	1	
35	848JL061B3	• SHAFT	1		160	6220-17202	HARNES ASSY	1	
36	848JL061C2	• GEAR	1		161	848JL092B1	COVER BLADE	1	
37	T4950-60800	• BOLT TORX	1		162	8488U00001	TOOL SET	1	
38	T4950-40800	• BOLT TORX	1		163	T4017-91130	• SOCKET	1	
39	848JL061D3	• PINION	1		164	3540-91110	• BAR	1	
40	06000-06000	• BEARING	1		165	848JL06911	TAPHEAD ASSY	1	
41	06004-06202	• BEARING	1		166	-	• CASE	1	
43	04065-03515	• RING, SNAP	1		167	T3189-15191	• EYELET	2	
44	3130-13270	• RING	1		168	T3189-15132	• COVER	1	
45	1252-30635	• BOLT TORX	1		169	T3189-15142	• CORD HOLDER	1	
46	848JL061F2	• HOLDER (A)	1		170	T3189-15160	• SPRING	1	
47	848JL061L2	• PLATE	1		171	T3189-15180	• CORD	1	
48	848JL061G2	• HOLDER (B)	1		172	848JL066A3	GUARD	1	
49	848JL061K1	• NUT M12xP1.25	1		173	848JL06633	GURD ASSY	1	
50	848JL061J3	• COVER	1		174	848JL066E3	• GUARD-N	1	
51	04065-01110	• SNAP RING	1		175	848JL066B2	• BLADE	1	
52	T4950-51200	• BOLT TORX M5xL12 T27	1		176	4820-72150	• BOLT TORX M4xL16 T27	1	
53	848JL066C2	PLATE	1		177	3238-13150	• NUT	1	
70	848JL132K1	BRACKET-UP	1		178	T4950-63040	BOLT TORX	2	
71	848JL132B2	BRACKET	1						
72	848JL132C2	HOLDER	2						
73	848JL132D1	HOLDER	2						
74	848JL132E2	CUSHION	6						
75	4820-13180	BOLT TORX M5xL20 T27	4						
76	T4950-52540	BOLT TORX	2						
77	848JL132L2	CLAMP	2						
80	848JL23812	HANGER ASSY	1						
		• HANGER	1						
		• CLAMP	1						
83	4820-13180	• BOLT TORX M5xL20 T27	1						
90	848JJ190R1	PLATE NAME	1						
91	6425-12552	PLATE	1						
121	848JL03212	HANDLE COMP.	1						
122	848JL03312	GRIP ASSY	1						
123	848JL033A2	• BODY-R	1						
124	848JL033B3	• BODY-L	1						
125	848JL033C2	• LEVER	1						
126	848JL033D1	• SPRING	1						
127	848JL033E2	• LEVER-S	1						
128	T4506-52110	• SWITCH	1						

\* No.45 (1252-30635) might be changed to T4950-63540 in the future.

Fig.3 CUTTER GROUP

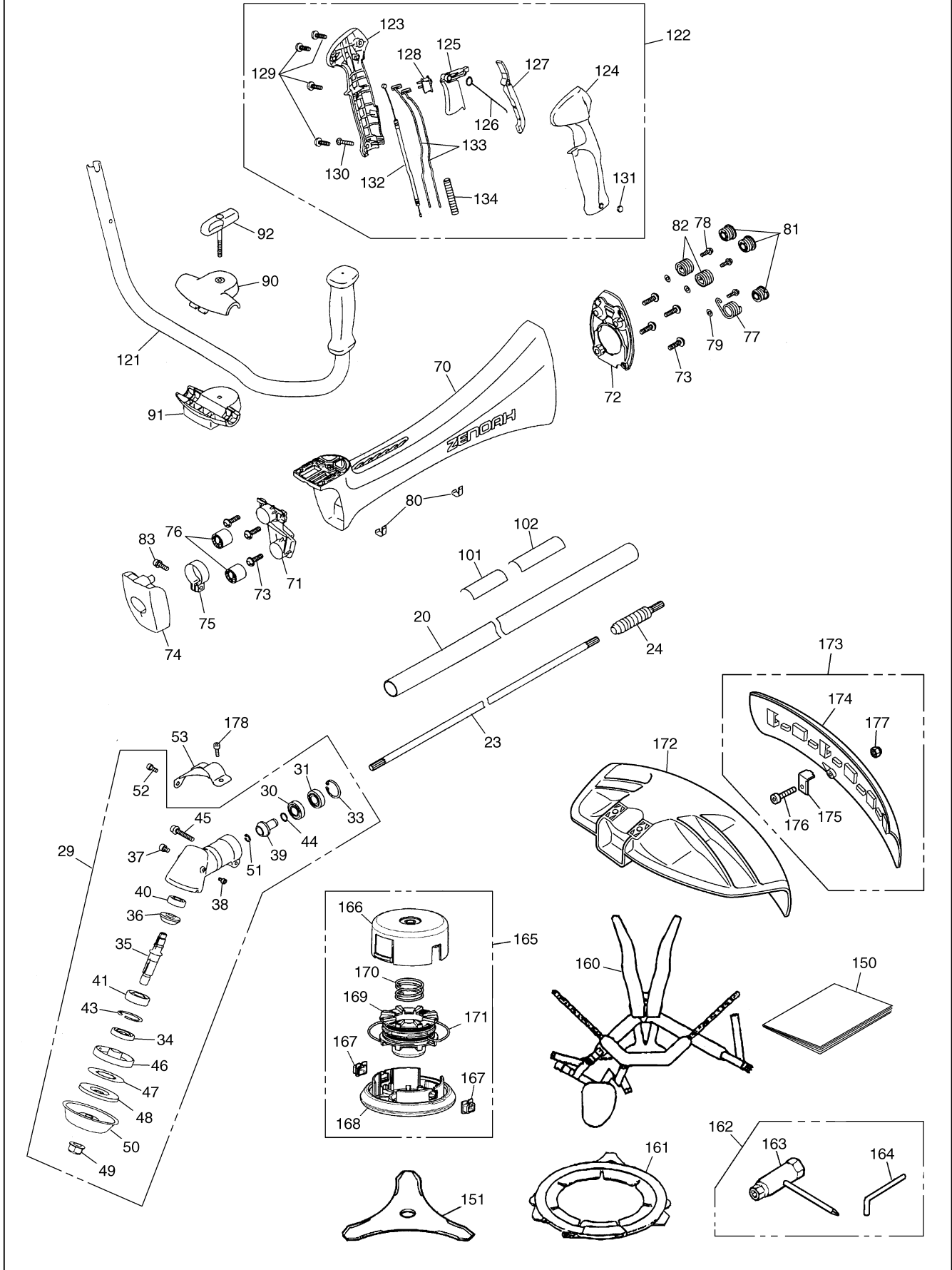


Fig.3 CUTTER GROUP

Key#	PART NUMBER	DESCRIPTION	Q'TY /UNIT	NOTE	Key#	PART NUMBER	DESCRIPTION	Q'TY /UNIT	NOTE
20	848JL05823	PIPE COMP.	1		124	848JL033B3	• BODY-L	1	
					125	848JL033C2	• LEVER	1	
23	848JL058E1	SHAFT	1		126	848JL033D1	• SPRING	1	
24	848JL05832	JOINT COMP.	1		127	848JL033E2	• LEVER-S	1	
					128	T4506-52110	• SWITCH	1	
29	848JL06100	GEARCASE ASSY	1		129	8488241600	• SCREW	4	
30	06000-06001	• BEARING	1		130	T4960-53010	• SCREW TORX	1	
31	06001-06001	• BEARING	1		131	3320-15310	• NUT	1	
					132	8488P00110	• CABLE COMP.	1	
33	04065-02812	• RING	1		133	8488M10060	• CORD COMP.	2	
34	8488AL3500	• SEAL	1		134	8488H27501	• TUBE	1	
35	848JL061B3	• SHAFT	1		150	848JL093A0	MANUAL	1	
36	848JL061C2	• GEAR	1		151	848JL092A2	BLADE	1	
37	T4950-60800	• BOLT TORX	1						
38	T4950-40800	• BOLT TORX	1		160	848JL03611	HARNES ASSY	1	
39	848JL061D3	• PINION	1		161	848JL092B1	COVER BLADE	1	
40	06000-06000	• BEARING	1		162	8488U00001	TOOL SET	1	
41	06004-06202	• BEARING	1		163	T4017-91130	• SOCKET	1	
					164	3540-91110	• BAR	1	
43	04065-03515	• RING, SNAP	1		165	848JL06911	TAPHEAD ASSY	1	
44	3130-13270	• RING	1		166	-	• CASE	1	
45	1252-30635	• BOLT TORX	1		167	T3189-15191	• EYELET	2	
46	848JL061F2	• HOLDER (A)	1		168	T3189-15132	• COVER	1	
47	848JL061L2	• PLATE	1		169	T3189-15142	• CORD HOLDER	1	
48	848JL061G2	• HOLDER (B)	1		170	T3189-15160	• SPRING	1	
49	848JL061K1	• NUT M12xP1.25	1		171	T3189-15180	• CORD	1	
50	848JL061J3	• COVER	1		172	848JL066A3	GUARD	1	
51	04065-01110	• SNAP RING	1		173	848JL06633	GURD ASSY	1	
52	T4950-51200	• BOLT TORX M5xL12 T27	1		174	848JL066E3	• GUARD-N	1	
53	848JL066C2	PLATE	1		175	848JL066B2	• BLADE	1	
					176	4820-72150	• BOLT TORX M4xL16 T27	1	
70	848JL031A3	FRAME	1		177	3238-13150	• NUT	1	
71	848JL031E2	BRACKET-F	1		178	T4950-63040	BOLT TORX	2	
72	848JL031F2	BRACKET-L	1						
73	8488251601	SCREW TP5(P-tight)xL16 T27	7						
74	848JL031B2	HOLDER	1						
75	848JL031C2	BAND	1						
76	848JL031J3	ABSORBER	2						
77	848JL031N3	SPRING	1						
78	4820-85510	BOLT TORX M5xL16 T27	3						
79	01642-20508	WASHER	3						
80	848JL032L2	CLAMP	2						
81	848JL031K3	ABSORBER	3						
82	848JL031P3	SPRING	2						
83	T4950-62040	BOLT TORX	1						
90	848JL032C2	BRACKET-UP	1						
91	848JL032D2	BRACKET-LO	1						
92	848JL032G2	KNOB	1						
100	848JJ090R1	PLATE NAME	1						
101	6425-12552	PLATE	1						
121	848JL03212	HANDLE COMP.	1						
122	848JL03312	GRIP ASSY	1						
123	848JL033A2	• BODY-R	1						

\* No.45 (1252-30635) might be changed to T4950-63540 in the future.

Fig.4 ENGINE GROUP

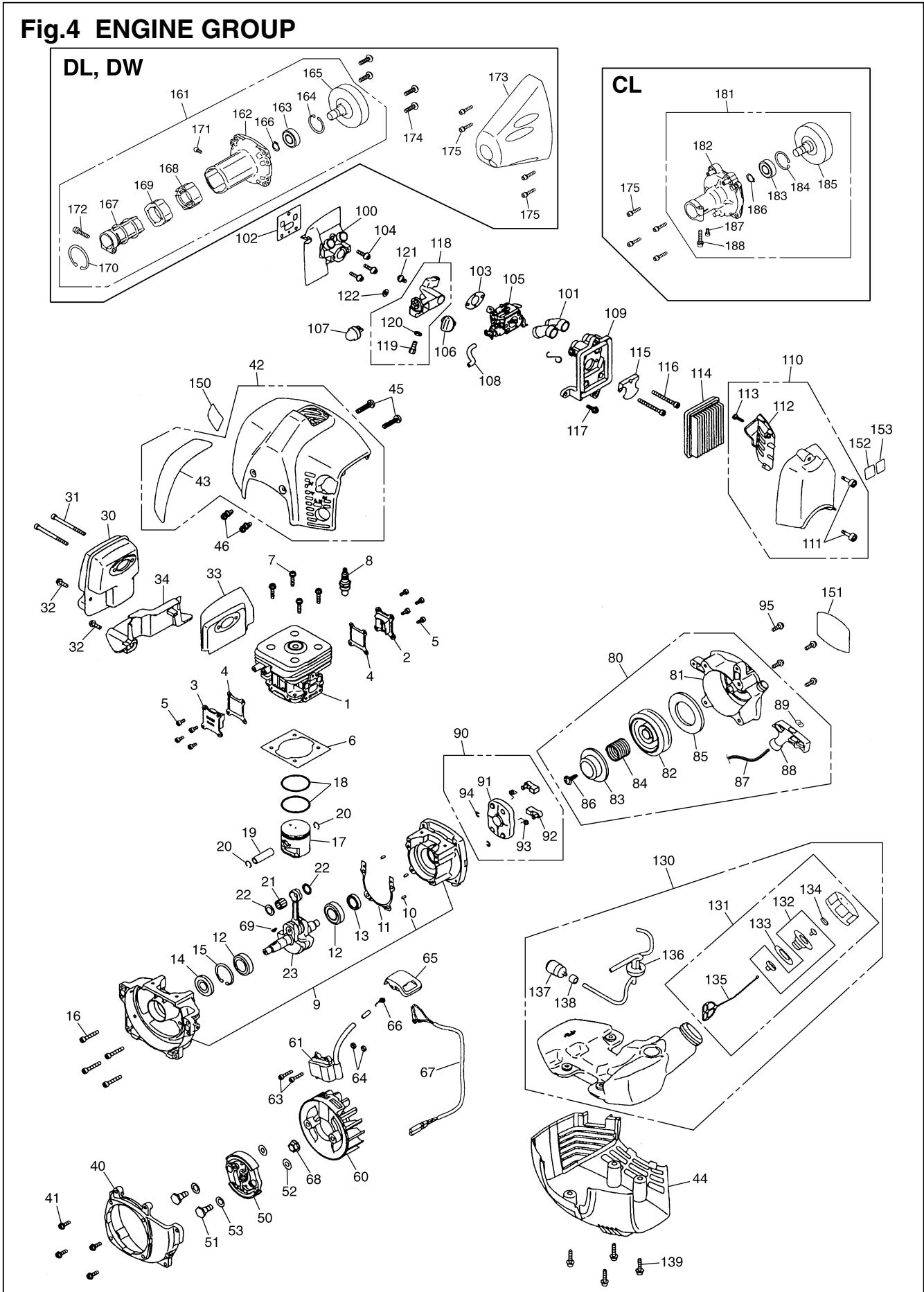


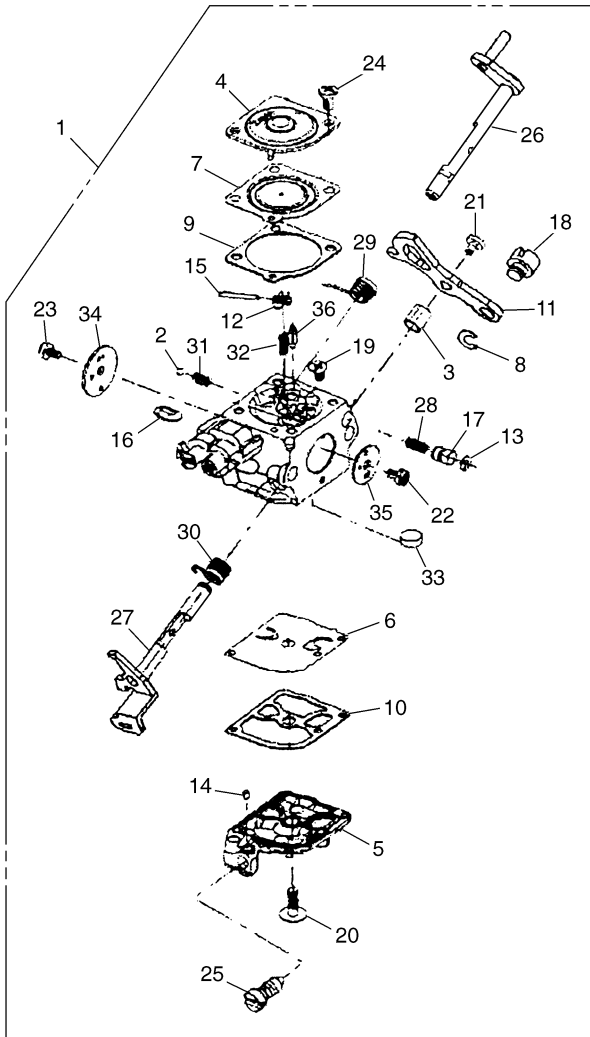


Fig.4 ENGINE GROUP

Key#	PART NUMBER	DESCRIPTION	Q'TY /UNIT	NOTE	Key#	PART NUMBER	DESCRIPTION	Q'TY /UNIT	NOTE
1	848GD012A1	CYLINDER COMP.	1	GZ45N	95	4820-32120	BOLT TORX	4	
2	848GD012C1	COVER, TR, S	1	GZ45N	100	848H7014A2	INSULATOR	1	
3	848GD012D1	COVER, TR, F	1	GZ45N	101	848H7082A1	PIPE	1	
4	848H7012E1	GASKET, TR	2		102	848H7014B1	GASKET	1	
5	4820-16310	BOLT TORX M4xL10 T27	8		103	848H7014C0	GASKET, CARB	1	
6	848H7012B1	GASKET	1		104	T4950-52021	BOLT TORX M5xL20 T27	3	
7	4820-12130	BOLT TORX M5xL22 T27	4		105	848GD08101	CARBURETOR ASSY	1	GZ45N
8	T1108-73110	SPARK PLUG	1		106	848H7082F0	KNOB	1	
9	848H702111	CRANKCASE COMP.	1		107	2850-81900	PUMP	1	
10	2629-21130	• PIN	3		108	8488F40450	TUBE	1	
11	T1400-21140	GASKET, CASE	1		109	848H708311	BODY ASSY	1	
12	84889F3511	BEARING	2		110	848H708321	COVER ASSY	1	
13	T4019-21210	SEAL	1		111	8488052011	• SCREW	2	
14	1400-21220	SEAL	1		112	848H7083Y0	• GUARD	1	
15	04065-03515	RING, SNAP	1		113	8488241600	• SCREW	1	
16	4820-21310	BOLT TORX M5xL30 T27	4		114	848H7083F1	ELEMENT	1	
17	848GD041A2	PISTON	1	GZ45N	115	T4012-82510	PLATE	1	
18	2670-41211	RING	2	GZ45N	116	4820-15310	BOLT TORX M5xL50 T27	2	
19	2880-41310	PIN	1		117	4820-85510	BOLT TORX M5xL16 T27	1	
20	3350-41320	SNAP RING	2		118	848H708220	BRACKET ASSY	1	
21	1400-41410	BEARING	1		119	T1600-13170	• SCREW	1	
22	2670-41510	WASHER	2		120	0282-10604	• NUT	1	
23	848H704201	CRANKSHAFT COMP.	1		121	T4950-51011	BOLT TORX M5xL10 T27	1	
30	848H7015A1	MUFFLER	1		122	848H7083Z0	WASHER	1	
31	01252-30565	BOLT M5xL65	2		130	848H708502	TANK ASSY	1	
32	4820-85510	BOLT TORX M5xL16 T27	2		131	T1015-85202	• CAP ASSY	1	
33	848H7015C1	GASKET	1		132	4500-85300	•• HOLDER ASSY	1	
34	T1400-15220	PLATE	1		133	4500-85220	•• PACKING	1	
40	848H7053A2	COVER	1		134	5601-85260	•• FILTER	1	
41	4820-85510	BOLT TORX M5xL16 T27	4		135	T4820-85260	•• STOPPER	1	
42	848H703110	COVER-TOP ASSY	1		136	848H708531	• PIPE COMP.	1	
43	848H7031E0	• TAPE	1		137	3302-85400	• FILTER	1	
44	848H7031N1	COVER-BOTTOM	1		138	2841-31280	• COLLER	1	
45	T4970-52000	SCREW TORX 5xL20	2		139	8488153000	BOLT	4	
46	T4950-51011	BOLT TORX M5xL10 T27	2		150	848H7090B1	LABEL, COVER	1	
50	848H705110	SHOE COMP.	1		151	848GD090C1	LABEL, RECOIL	1	GZ45N
51	1200-51211	SCREW	2		152	2634-31420	LABEL (CE)	1	
52	1200-51230	WASHER	2		153	8488X01180	LABEL	1	
53	1200-51241	WASHER	2		161	848JL15302	HOUSING ASSY	1	DL, DW
60	848H707111	ROTOR	1		162	848JL153A2	• HOUSING	1	DL, DW
61	848H707121	COIL ASSY	1		163	06004-06202	• BEARING	1	DL, DW
63	T4950-42200	BOLT TORX M4xL22 T27	2		164	04065-03515	• RING, snap	1	DL, DW
64	1260-71261	SPACER	2		165	848JL051A1	• DRUM	1	DL, DW
65	T1400-72110	CAP	1		166	04064-01510	• SNAP RING	1	DL, DW
66	1900-72120	SPRING	1		167	848JL153B2	• CLAMP	1	DL, DW
67	T1400-73200	CORD COMP.	1		168	848JL153D2	• ABSSORBER	1	DL, DW
68	1400-43230	NUT	1		169	848JL153H2	• ABSSORBER	1	DL, DW
69	1000-43240	KEY	1		170	04065-04718	• RING	1	DL, DW
80	848H707511	RECOIL ASSY	1		171	4820-12350	• BOLT TORX M5xL10 T27	1	DL, DW
81	848H707551	• CASE COMP.	1		172	T4950-63040	• BOLT TORX M6xL30 T27	1	DL, DW
82	848H7075C1	• REEL	1		173	848JL153J2	COVER	1	DL, DW
83	848H7075L1	• PLATE, CAM	1		174	8488251601	SCREW TP5(P-tight)xL16 T27	4	DL, DW
84	848H7075K1	• SPRING, DAMPER	1		175	T4950-62040	BOLT TORX M6xL20 T27	4	
85	848H7075B1	• SPRING, SPIRAL	1		181	848JL05301	HOUSING ASSY	1	CL
86	848H7075E1	• SCREW	1		182	848JL053A3	• HOUSING	1	CL
87	848H7075F1	• ROPE	1		183	06004-06202	• BEARING	1	CL
88	848H7075J1	• KNOB	1		184	04065-03515	• RING, SNAP	1	CL
89	848H7075G1	• STOPPER	1		185	848JL051A1	• DRUM	1	CL
90	848H707521	PULLEY ASSY	1		186	04064-01510	• SNAP RING	1	CL
91	848H7075P1	• PULLEY	1		187	4820-12350	• BOLT TORX M5xL10 T27	1	CL
92	848H7075R1	• RATCHET	2		188	T4950-63040	• BOLT TORX	1	CL
93	848H7075S0	• SPRING	2						
94	1034-72180	• E RING	2						

BCZ4500DL/BCZ4500DW/BCZ4500CL

Fig.5 CARBURETOR



Key#	PART NUMBER	DESCRIPTION	Q'TY /UNIT	NOTE
1	848GD08101	CARBURETOR ASSY	1	
2	848H7080Y0	• BALL	1	
3	848H7081S0	• COLLAR	1	
4	848C5081G0	• COVER, METERING	1	
5	848C5081H0	• COVER, PUMP	1	
6	848H7081M0	• DIAPHRAGM, PUMP	1	
7	848C5081K0	• DIAPHRAGM ASSY, METERING	1	
8	848H7089A0	• E-RING	1	
9	848C5081L0	• GASKET, METERING CHAMBER	1	
10	848C5081N0	• GASKET, PUMP	1	
11	848H7081Z0	• LEVER, THROTTLE	1	
12	848C5081F0	• LEVER, METERING	1	
13	848C5080P0	• O-RING	1	
14	848C5081Y0	• PIECE, FRICTION	1	
15	848C5081E0	• PIN	1	
16	848C5081J0	• PLUG, WELCH	1	
17	848C5080N0	• PLUNGER	1	
18	848H7089B0	• POST	1	
19	848C5081D0	• SCREW	1	
20	848C5081P0	• SCREW	1	
21	848C5080R0	• SCREW	1	
22	848H7081W0	• SCREW	1	
23	848C5081W0	• SCREW	1	
24	848C5080B0	• SCREW (WITH SEPRATION)	2	
25	848H7081X0	• SCREW, THROTTLE ADJUST	1	
26	848H7080E0	• SHAFT ASSY, CHOKE	1	
27	848H7081T0	• SHAFT ASSY, THROTTLE	1	
28	848C5080M0	• SPRING	1	
29	848H7080D0	• SPRING, CHOKE RETURN	1	
30	848H7081R0	• SPRING, THROTTLE RETURN	1	
31	848H7080Z0	• SPRING, FRICTION	1	
32	848H7081C0	• SPRING, METERING LEVER	1	
33	848C5081A0	• STRAINER	1	
34	848H7080C0	• VALVE, CHOKE	1	
35	848H7081U0	• VALVE, THROTTLE	1	
36	848C5081B0	• VALVE, INLET NEEDLE	1	
37	848H700630	REBUILD KIT	1	
38	848H700620	• GASKET & DIAPHRAGM KIT	1	