

PARTS LIST

BRUSHCUTTERS

BC435DLM
BC435DWM

APPLICABLE SERIAL NUMBERS:

DRIVE UNIT 600101 and up
ENGINE UNIT 500101 and up

NOVEMBER 1995

Fig.1 CUTTER GROUP

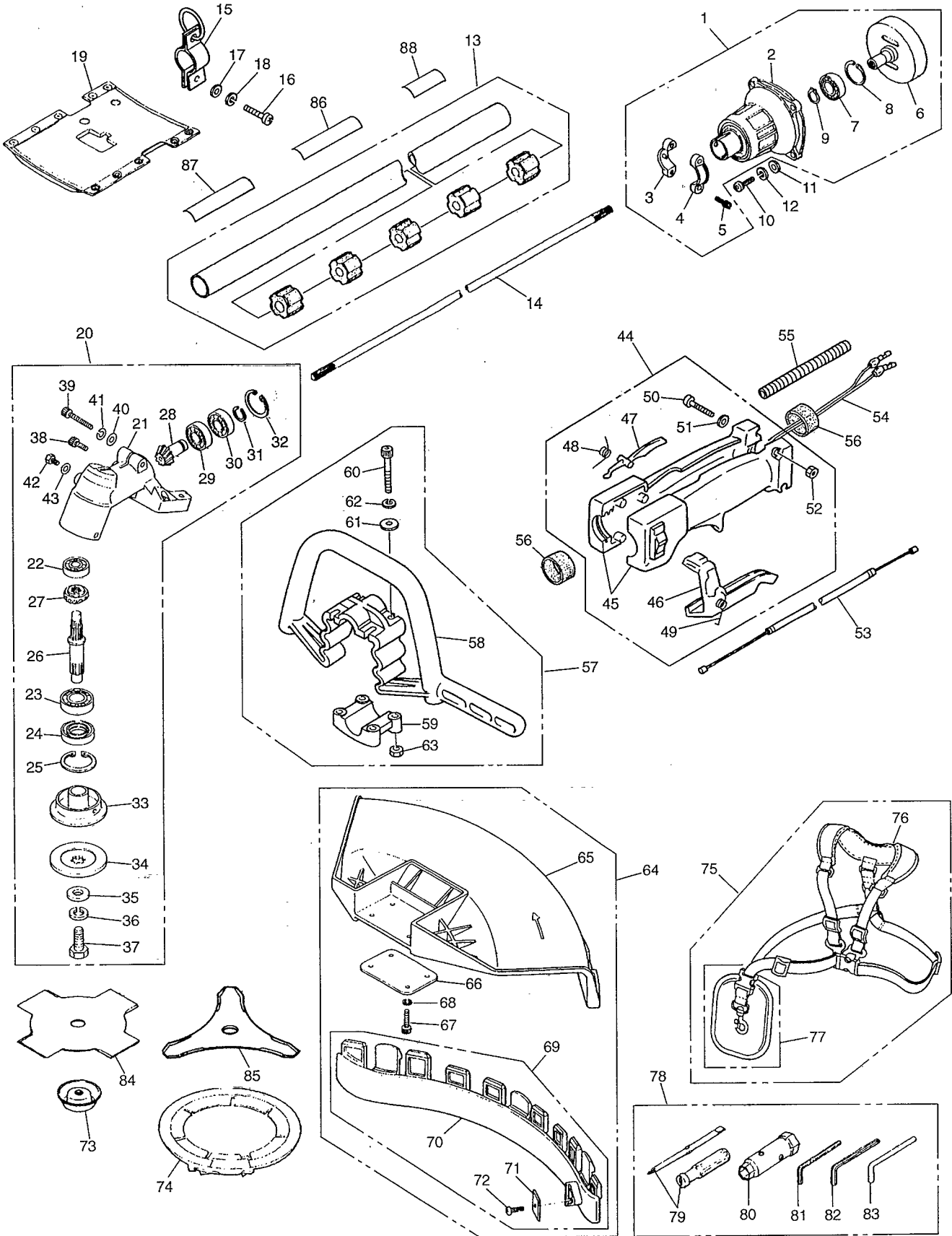
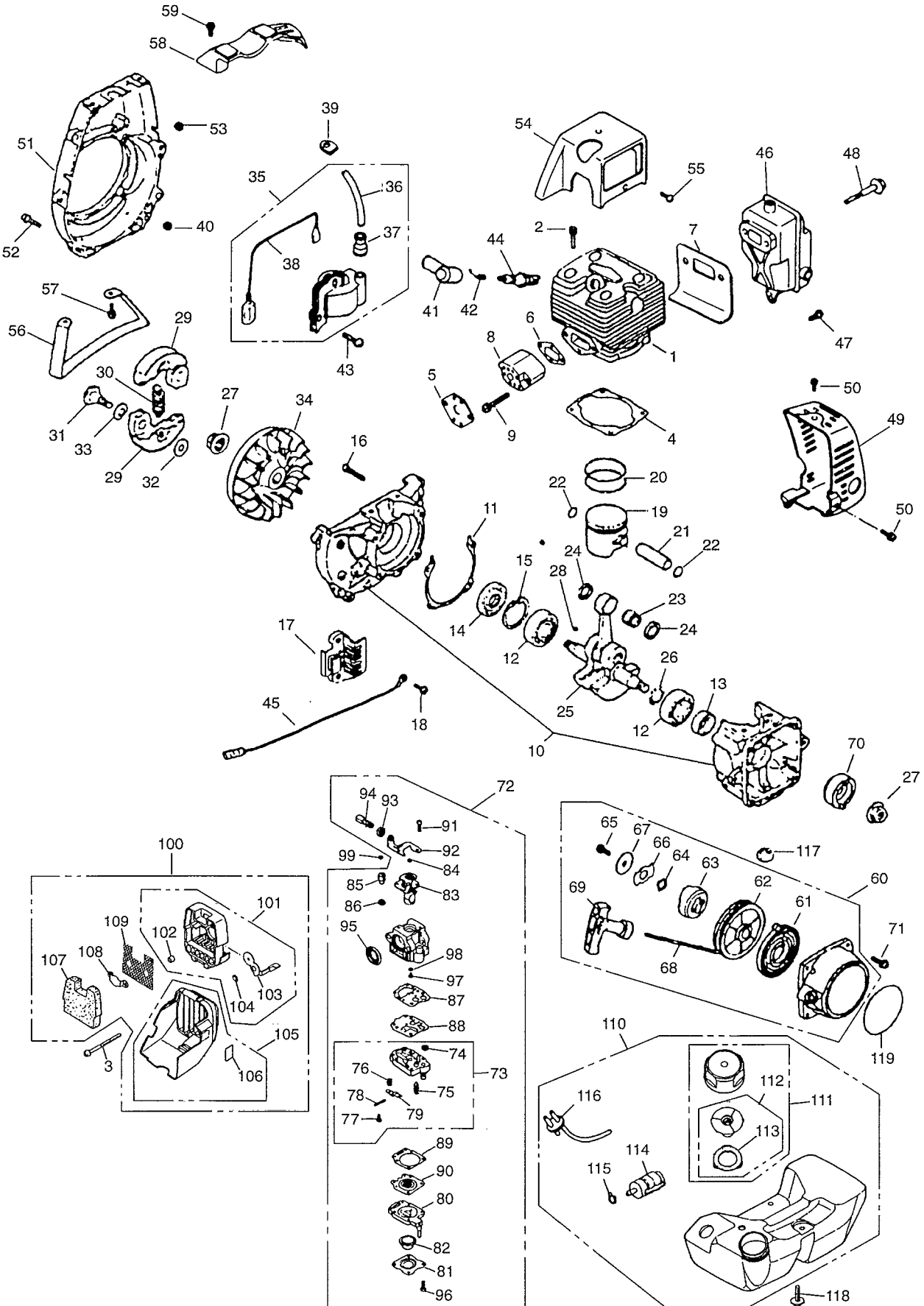


Fig.1 CUTTER GROUP

Key#	PART NUMBER	DESCRIPTION	Q'TY /UNIT	NOTE	Key#	PART NUMBER	DESCRIPTION	Q'TY /UNIT	NOTE
1	6463-11000	HOUSING ASS'Y	1		65	6489-24110	• GUARD	1	*
2	6463-11100	• HOUSING COMP	1		66	6489-24120	• PLATE	1	
3	6463-11131	• CLAMP(A)	1		67	6574-24910	• BOLT	4	M5-16
4	6463-11140	• CLAMP(B)	1		68	6574-13970	• WASHER	4	
5	3350-21320	• BOLT	2		69	6489-24200	• PLATE COMP	1	
6	3540-11311	• DRUM	1		70	6489-24210	•• PLATE	1	
7	06004-06202	• BEARING	1		71	6489-24220	•• BLADE	1	
8	04065-03515	• RING	1		72	00277-10412	•• SCREW	1	
9	04064-01510	• RING	1		73	6577-13280	COVER(BOLT)	1	
10	6574-11910	BOLT	4	M6-20	74	6574-15910	COVER(BLADE)	1	
11	6574-13990	WASHER	4		75	6577-17200	HARNESS ASS'Y	1	
12	6576-14920	WASHER	4		76	6577-17210	• BAND COMP	1	
13	6579-12100	PIPE COMP	1		77	6577-17220	• HOOK COMP	1	
14	6579-12210	SHAFT	1		78	6577-91000	TOOL KIT	1	
15	6579-17100	HANGER	1		79	6574-91110	• DRIVER	1	
16	6574-17910	SCREW	1	M5-10	80	6577-91120	• SOCKET	1	
17	6574-13960	WASHER	1		81	09007-00425	• WRENCH	1	
18	6574-13970	WASHER	1		82	09007-00528	• WRENCH	1	
19	6576-17910	PROTECTOR	1		83	3540-91110	• BAR	1	
20	6579-13000	GEARCASE ASS'Y	1		84	6298-14343	SAW	1	
21	6579-13110	• GEARCASE	1		85	6298-43390	SAW	1	
22	6574-13820	• BEARING	1		86	6751-12550	PLATE NAME	1	
23	6577-13810	• BEARING	1		87	6425-12552	PLATE CAUTION	1	
24	6577-13140	• SEAL	1		88	6751-12580	No. PLATE	1	
25	6577-13910	• RING	1						
26	3540-13212	• SHAFT	1						
27	3540-13220	• GEAR	1						
28	3540-13311	• PINION	1						
29	6579-13810	• BEARING	1						
30	6579-13820	• BEARING	1						
31	6579-13910	• RING	1						
32	6579-13920	• RING	1						
33	6251-13240	• HOLDER(A)	1						
34	6577-13250	• HOLDER(B)	1						
35	6577-13930	• WASHER	1						
36	6577-13940	• WASHER	1						
37	3540-13290	• BOLT	1						
38	6574-13940	• BOLT	1	M5-10					
39	6577-13950	• BOLT	1	M6-35					
40	6574-13990	• WASHER	1						
41	6576-14920	• WASHER	1						
42	6574-13980	• BOLT	1	M6-10					
43	6574-13990	• WASHER	1						
44	6596-12300	GRIP ASS'Y	1						
45	6596-12310	• BODY(R)+(L)	1						
46	6596-12330	• LEVER	1						
47	6596-12350	• LEVER	1						
48	6596-12360	• SPRING	1						
49	6596-12440	• SPRING	1						
50	6596-12370	• SCREW	4						
51	6596-12450	• WASHER	4						
52	6596-12380	• NUT	4						
53	6596-12340	CABLE COMP	1						
54	6596-12390	CORD COMP	1						
55	6596-12420	TUBE	1						
56	6596-12430	SPACER	2						
57	6577-14000	HANDLE ASS'Y	1						
58	6577-14110	• HANDLE	1						
59	6577-14120	• CLAMP	1						
60	6574-13950	• SCREW	4	M5-30					
61	6574-13960	• WASHER	4						
62	6574-13970	• WASHER	4						
63	6574-14910	• NUT	4						
64	6489-24000	GUARD ASS'Y	1						

Fig.2 ENGINE GROUP



Chokerspycld=

Choker arm : 1460 82130 BC435DWM

Fig.2 ENGINE GROUP

Key#	PART NUMBER	DESCRIPTION	Q'TY /UNIT	NOTE	Key#	PART NUMBER	DESCRIPTION	Q'TY /UNIT	NOTE
1	1400-12113	CYLINDER	1		65	1483-75270	• SCREW	1	
2	3310-12281	BOLT	4		66	1487-75160	• RETAINER	1	
3	0260-30560	SCREW	2		67	1487-75170	• WASHER	1	
4	1400-13121	GASKET	1		68	1400-75160	• ROPE	1	
5	1460-13131	GASKET	1		69	1400-75170	• KNOB	1	
6	1400-13142	GASKET	1		70	1487-75211	PULLEY	1	
7	158013141	GASKET	1		71	0263-90520	SCREW	4	
8	1460-13163	INSULATOR	1		72	1460-81002	CARBURETOR ASS'Y	1	
9	00263-30540	SCREW	2		73	1850-81450	• BODY ASS'Y	1	
10	1400-21100	CRANKCASE COMP	1		74	3306-81380	•• SCREEN	1	
11	1400-21140	GASKET	1		75	3356-81310	•• VALVE	1	
12	06030-06202	BEARING	2		76	1850-81270	•• SPRING	1	
13	1520-21220	SEAL	1		77	1850-81220	•• SCREW	1	
14	1400-21220	SEAL	1		78	3310-81250	•• PIN	1	
15	04065-03515	RING	1		79	3310-81230	•• LEVER	1	
16	01252-30530	BOLT	4		80	1850-81490	• BODY	1	
17	2155-21311	GURAD	1		81	1850-81520	• COVER	1	
18	0263-90514	SCREW	2		82	1751-81510	• PUMP	1	
19	1400-41111	PISTON	1		83	-	• VALVE	1	
20	1400-41220	RING	2		84	1881-81160	• PLUG	1	
21	1400-41310	PIN	1		85	1881-81140	• SWIVEL	1	
22	3350-41320	RING	2		86	1751-81130	• RING	1	
23	1400-41410	BEARING	1		87	1065-81410	• GASKET	1	
24	2616-41510	WASHER	2		88	1065-81420	• DIAPHRAGM	1	
25	1400-42002	CRANKSHAFT COMP	1		89	1850-81470	• GASKET	1	
26	1300-42410	SHIM	0/1		90	3310-81260	• DIAPHRAGM	1	
27	1400-43230	NUT	2		91	1752-81110	• SCREW	2	
28	1000-43240	KEY	1		92	1460-81350	• BRACKET	1	
29	1075-51112	SHOE	2		93	1751-81180	• NUT	1	
30	1075-51220	SPRING	1		94	1601-81180	• SCREW	1	
31	1200-51211	SCREW	2		95	1881-81130	• RING	1	
32	1200-51230	WASHER	2		96	1850-81530	• SCREW	4	
33	1200-51240	WASHER	2		97	1460-81610	• JET	1	
34	2073-71110	ROTOR	1		98	1881-81240	• O-RING	1	
35	2113-71200	COIL ASS'Y	1		99	1601-81810	• CAP	1	
36	2113-71220	• CORD	1		100	1460-82001	CLEANER ASS'Y	1	
37	2616-71320	• CAP	1		101	1460-82101	• BODY ASS'Y	1	
38	2313-71240	• CORD	1		102	1601-82120	•• SLEEVE	2	
39	5500-72130	GROMMET	1		103	1460-82130	•• SHUTTER	1	
40	1100-72120	GROMMET	1		104	1601-82140	•• WASHER	1	
41	1900-72111	CAP	1		105	1601-82202	• COVER COMP	1	
42	1900-72120	SPRING	1		106	1133-82060	•• LABEL	1	
43	0263-90520	SCREW	2		107	1601-82310	• ELEMENT	1	
44	5535-73110	SPARK PLUG	1		108	1601-82320	• PLATE	1	
45	2313-71240	CORD	1		109	1601-82351	• SCREEN	1	
46	1461-15110	MUFFLER	1		110	2313-85000	TANK ASS'Y	1	
47	0263-90512	SCREW	1		111	2116-85201	• CAP ASS'Y	1	
48	1400-15150	BOLT	2		112	2116-85300	•• VALVE COMP	1	
49	1461-15410	COVER	1		113	1600-85322	•• PACKING	1	
50	0263-90512	SCREW	3		114	3302-85400	• FILTER ASS'Y	1	
51	1439-31110	COVER	1		115	1260-85460	• CLIP	1	
52	3310-12281	BOLT	4		116	1460-85801	• PIPE COMP	1	
53	1100-72120	GROMMET	1		117	1492-86291	WASHER	3	
54	2314-32110	COVER	1		118	1460-85850	SCREW	3	
55	0263-90512	SCREW	2		119	1439-75410	LABEL	1	
56	1460-31910	STAND	1						
57	3310-31720	BOLT	2						
58	1460-33110	GUARD	1						
59	0263-90520	SCREW	2						
60	1487-75100	RECOIL ASS'Y	1						
61	1180-75221	• SPRING	1						
62	1487-75120	• REEL	1						
63	1487-75140	• DOG	1						
64	1861-75150	• WASHER	1						

Fig.1 CUTTER GROUP

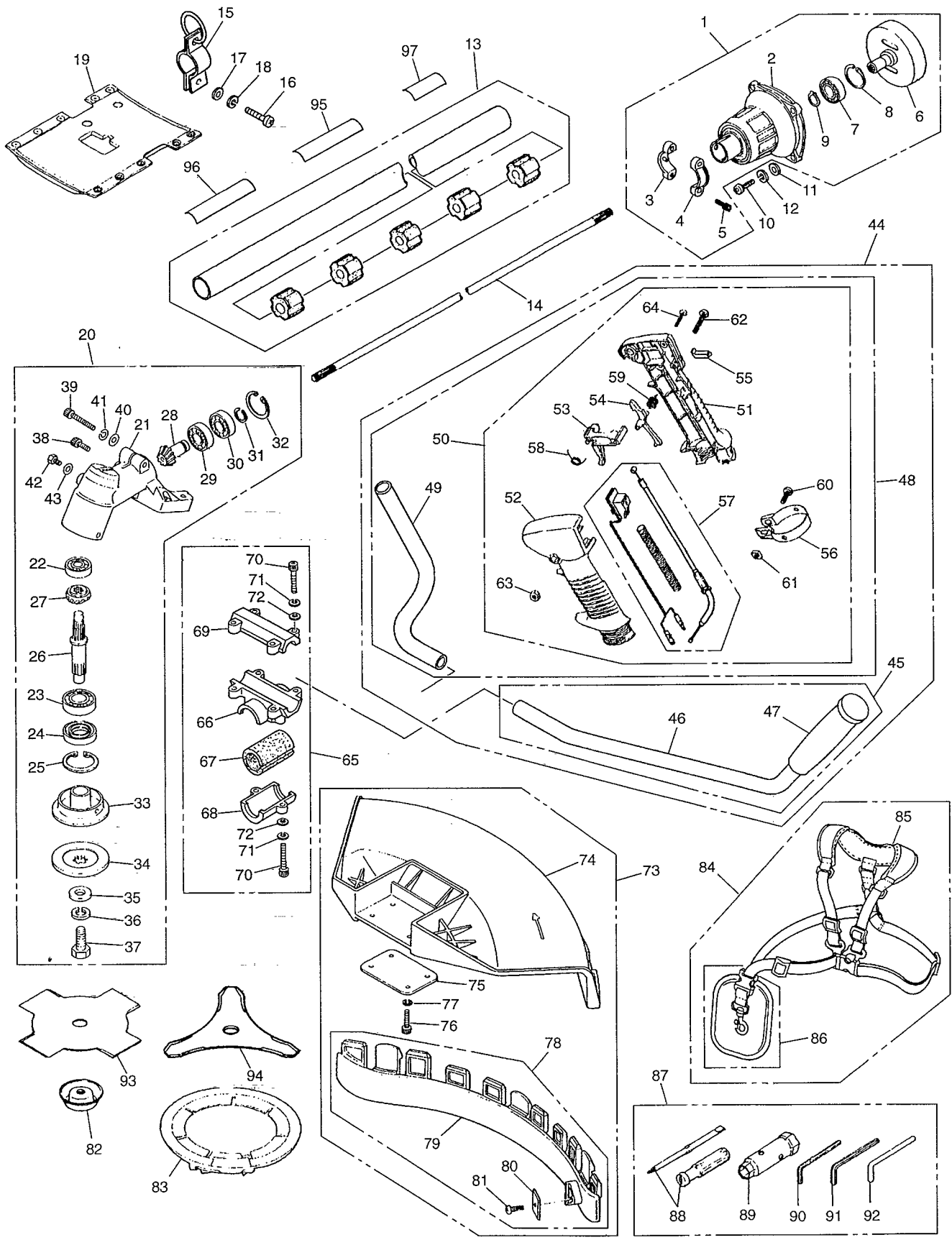


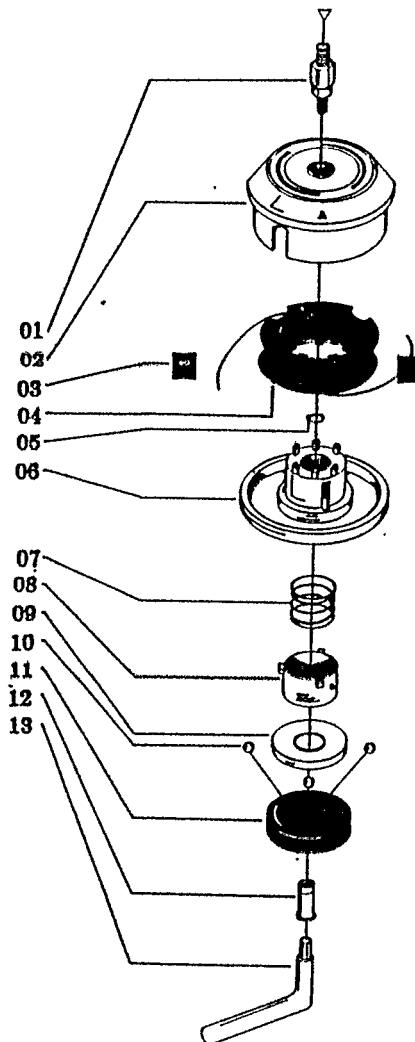
Fig.1 CUTTER GROUP

Key#	PART NUMBER	DESCRIPTION	Q'TY /UNIT	NOTE	Key#	PART NUMBER	DESCRIPTION	Q'TY /UNIT	NOTE
1	6463-11000	HOUSING ASS'Y	1		65	6579-14100	BRACKET ASS'Y	1	
2	6463-11100	• HOUSING COMP	1		66	6576-14110	• BRACKET	1	
3	6463-11131	• CLAMP(A)	1		67	6579-14140	• ABSORBER	1	
4	6463-11140	• CLAMP(B)	1		68	6576-14120	• CAP(L)	1	
5	3350-21320	• BOLT	2		69	6576-14130	• CAP(U)	1	
6	3540-11311	• DRUM	1		70	6576-14910	• BOLT	6	M6-25
7	06004-06202	• BEARING	1		71	6576-14920	• WASHER	6	
8	04065-03515	• RING	1		72	6574-13990	• WASHER	6	
9	04064-01510	• RING	1		73	6489-24000	GUARD ASS'Y	1	
10	6574-11910	BOLT	4	M6-20	74	6489-24110	• GUARD	1	
11	6574-13990	WASHER	4		75	6489-24120	• PLATE	1	
12	6576-14920	WASHER	4		76	6574-24910	• BOLT	4	M5-16
13	6579-12100	PIPE COMP	1		77	6574-13970	• WASHER	4	
14	6579-12210	SHAFT	1		78	6489-24200	• PLATE COMP	1	
15	6579-17100	HANGER	1		79	6489-24210	•• PLATE	1	
16	6574-17910	SCREW	1	M5-10	80	6489-24220	•• BLADE	1	
17	6574-13960	WASHER	1		81	00277-10412	•• SCREW	1	
18	6574-13970	WASHER	1		82	6577-13280	COVER(BOLT)	1	
19	6576-17910	PROTECTOR	1		83	6574-15910	COVER(BLADE)	1	
20	6579-13000	GEARCASE ASS'Y	1		84	6577-17200	HARNESS ASS'Y	1	
21	6579-13110	• GEARCASE	1		85	6577-17210	• BAND COMP	1	
22	6574-13820	• BEARING	1		86	6577-17220	• HOOK COMP	1	
23	6577-13810	• BEARING	1		87	6577-91000	TOOL KIT	1	
24	6577-13140	• SEAL	1		88	6574-91110	• DRIVER	1	
25	6577-13910	• RING	1		89	6577-91120	• SOCKET	1	
26	3540-13212	• SHAFT	1		90	09007-00425	• WRENCH	1	
27	3540-13220	• GEAR	1		91	09007-00528	• WRENCH	1	
28	3540-13311	• PINION	1		92	3540-91110	• BAR	1	
29	6579-13810	• BEARING	1		93	6298-14343	SAW	1	
30	6579-13820	• BEARING	1		94	6298-43390	SAW	1	
31	6579-13910	• RING	1		95	6579-12510	PLATE NAME	1	
32	6579-13920	• RING	1		96	6425-12552	PLATE CAUTION	1	
33	6251-13240	• HOLDER(A)	1		97	6579-12590	No. PLATE	1	
34	6577-13250	• HOLDER(B) 3541	1						
35	6577-13930	• WASHER 13251	1						
36	6577-13940	• WASHER	1						
37	3540-13290	• BOLT	1						
38	6574-13940	• BOLT	1	M6-10					
39	6577-13950	• BOLT	1	M6-35					
40	6574-13990	• WASHER	1						
41	6576-14920	• WASHER	1						
42	6574-13980	• BOLT	1	M6-10					
43	6574-13990	• WASHER	1						
44	6576-14200	HANDLE ASS'Y	1						
45	6576-14300	• HANDLE(L)ASS'Y	1						
46	6576-14310	•• HANDLE	1						
47	6576-14320	•• GRIP	1						
48	6576-14400	• HANDLE(R)ASS'Y	1						
49	6576-14410	•• HANDLE	1						
50	5935-84000	•• GRIP ASS'Y	1						
51	5935-84110	••• STAY(R)	1						
52	5935-84120	••• STAY(L)	1						
53	1638-84130	••• LEVER	1						
54	1638-84140	••• LEVER	1						
55	1638-84150	••• LOCK	1						
56	1638-84160	••• CLAMP	1						
57	5935-84300	••• SWITCH COMP	1						
58	1638-84170	••• SPRING	1						
59	1638-84180	••• SPRING	1						
60	00263-60620	••• SCREW	1						
61	1638-84190	••• NUT	1						
62	00260-60535	••• SCREW	1						
63	1638-84210	••• NUT	1						
64	1638-84220	••• SCREW	1						

Reservedelsliste for Feed-Matic snørehoved

for 'TEXAS' buskryddere

1992/1



Pos.nr.	Best.nr.	Tekst
01	10-101007	Adapter for BC 220
01a	10-101008	Adapter for 340 M
01b	10-101010	Adapter for 431 M
02	10-101061	Spolehus
03	10-106003	Snørestyr
04	10-101030	Spole
05	10-103025	Låsering
06	10-101053	Bund for spolehus
06a	10-201003	Komplet bund pos. 5-12
07	10-107006	Fjeder
08	10-101069	Fjederholder
09	10-101070	Kugleskål
10	10-102073	Stålkugle
11	10-101071	Kugleholder
12	10-101056	Bolt
13	10-109006	Nøgle
14	22007100	Snørehoved for BC 220 7 MM
15	34008125	Snørehoved for 340 M 8 MM
16	43110125	Snørehoved for 431 M 10 MM

Fig.2 ENGINE GROUP

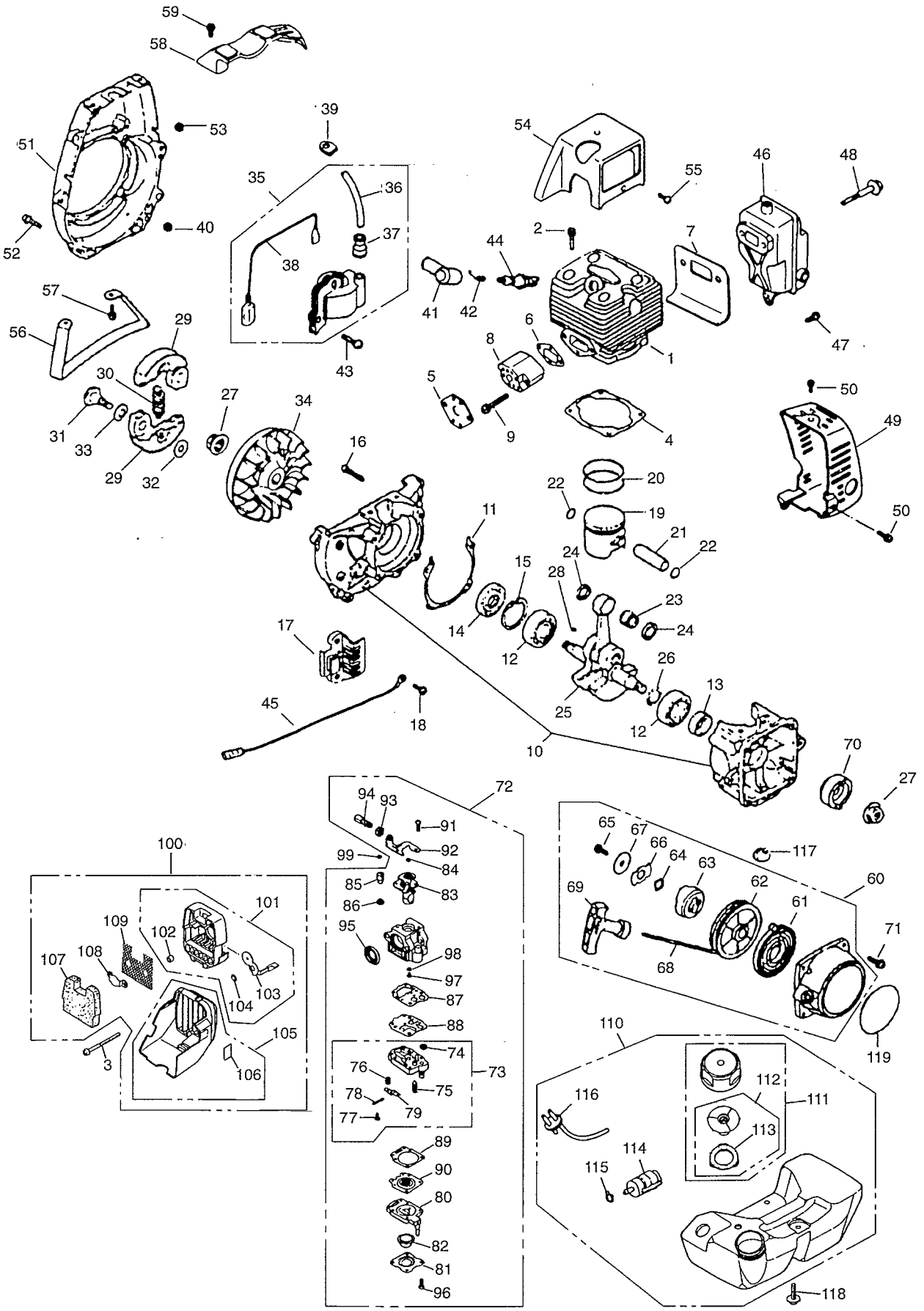


Fig.2 ENGINE GROUP

Key#	PART NUMBER	DESCRIPTION	Q'TY /UNIT	NOTE	Key#	PART NUMBER	DESCRIPTION	Q'TY /UNIT	NOTE
1	1400-12113	CYLINDER	1		65	1483-75270	• SCREW	1	
2	3310-12281	BOLT	4		66	1487-75160	• RETAINER	1	
3	0260-30560	SCREW	2		67	1487-75170	• WASHER	1	
4	1400-13121	GASKET	1		68	1400-75160	• ROPE	1	
5	1460-13131	GASKET	1		69	1400-75170	• KNOB	1	
6	1400-13142	GASKET	1		70	1487-75211	PULLEY	1	
7	1400-13150	GASKET	1		71	0263-90520	SCREW	4	
8	1460-13163	INSULATOR	1		72	1460-81002	CARBURETOR ASS'Y	1	
9	00263-30540	SCREW	2		73	1850-81450	• BODY ASS'Y	1	
10	1400-21100	CRANKCASE COMP	1		74	3306-81380	•• SCREEN	1	
11	1400-21140	GASKET	1		75	3356-81310	•• VALVE	1	
12	06030-06202	BEARING	2		76	1850-81270	•• SPRING	1	
13	1520-21220	SEAL	1		77	1850-81220	•• SCREW	1	
14	1400-21220	SEAL	1		78	3310-81250	•• PIN	1	
15	04065-03515	RING	1		79	3310-81230	•• LEVER	1	
16	01252-30530	BOLT	4		80	1850-81490	• BODY	1	
17	2155-21311	GURAD	1		81	1850-81520	• COVER	1	
18	0263-90514	SCREW	2		82	1751-81510	• PUMP	1	
19	1400-41111	PISTON	1		83	-	• VALVE	1	
20	1400-41220	RING	2		84	1881-81160	• PLUG	1	
21	1400-41310	PIN	1		85	1881-81140	• SWIVEL	1	
22	3350-41320	RING	2		86	1751-81130	• RING	1	
23	1400-41410	BEARING	1		87	1065-81410	• GASKET	1	
24	2616-41510	WASHER	2		88	1065-81420	• DIAPHRAGM	1	
25	1400-42002	CRANKSHAFT COMP	1		89	1850-81470	• GASKET	1	
26	1300-42410	SHIM	0/1		90	3310-81260	• DIAPHRAGM	1	
27	1400-43230	NUT	2		91	1752-81110	• SCREW	2	
28	1000-43240	KEY	1		92	1460-81350	• BRACKET	1	
29	1075-51112	SHOE	2		93	1751-81180	• NUT	1	
30	1075-51220	SPRING	1		94	1601-81180	• SCREW	1	
31	1200-51211	SCREW	2		95	1881-81130	• RING	1	
32	1200-51230	WASHER	2		96	1850-81530	• SCREW	4	
33	1200-51240	WASHER	2		97	1460-81610	• JET	1	
34	2073-71110	ROTOR	1		98	1881-81240	• O-RING	1	
35	2113-71200	COIL ASS'Y	1		99	1601-81810	• CAP	1	
36	2113-71220	• CORD	1		100	1460-82001	CLEANER ASS'Y	1	
37	2616-71320	• CAP	1		101	1460-82101	• BODY ASS'Y	1	
38	2313-71240	• CORD	1		102	1601-82120	•• SLEEVE	2	
39	5500-72130	GROMMET	1		103	1460-82130	•• SHUTTER	1	
40	1100-72120	GROMMET	1		104	1601-82140	•• WASHER	1	
41	1900-72111	CAP	1		105	1601-82202	• COVER COMP	1	
42	1900-72120	SPRING	1		106	1133-82060	•• LABEL	1	
43	0263-90520	SCREW	2		107	1601-82310	• ELEMENT	1	
44	5535-73110	SPARK PLUG	1		108	1601-82320	• PLATE	1	
45	2313-71240	CORD	1		109	1601-82351	• SCREEN	1	
46	1461-15110	MUFFLER	1		110	2313-85000	TANK ASS'Y	1	
47	0263-90512	SCREW	1		111	2116-85201	• CAP ASS'Y	1	
48	1400-15150	BOLT	2		112	2116-85300	•• VALVE COMP	1	
49	1461-15410	COVER	1		113	1600-85322	•• PACKING	1	
50	0263-90512	SCREW	3		114	3302-85400	• FILTER ASS'Y	1	
51	1439-31110	COVER	1		115	1260-85460	• CLIP	1	
52	3310-12281	BOLT	4		116	1460-85801	• PIPE COMP	1	
53	1100-72120	GROMMET	1		117	1492-86291	WASHER	3	
54	2314-32110	COVER	1		118	1460-85850	SCREW	3	
55	0263-90512	SCREW	2		119	1439-75410	LABEL	1	
56	1460-31910	STAND	1						
57	3310-31720	BOLT	2						
58	1460-33110	GUARD	1						
59	0263-90520	SCREW	2						
60	1487-75100	RECOIL ASS'Y	1						
61	1180-75221	• SPRING	1						
62	1487-75120	• REEL	1						
63	1487-75140	• DOG	1						
64	1861-75150	• WASHER	1						