



BUSKRYDDER

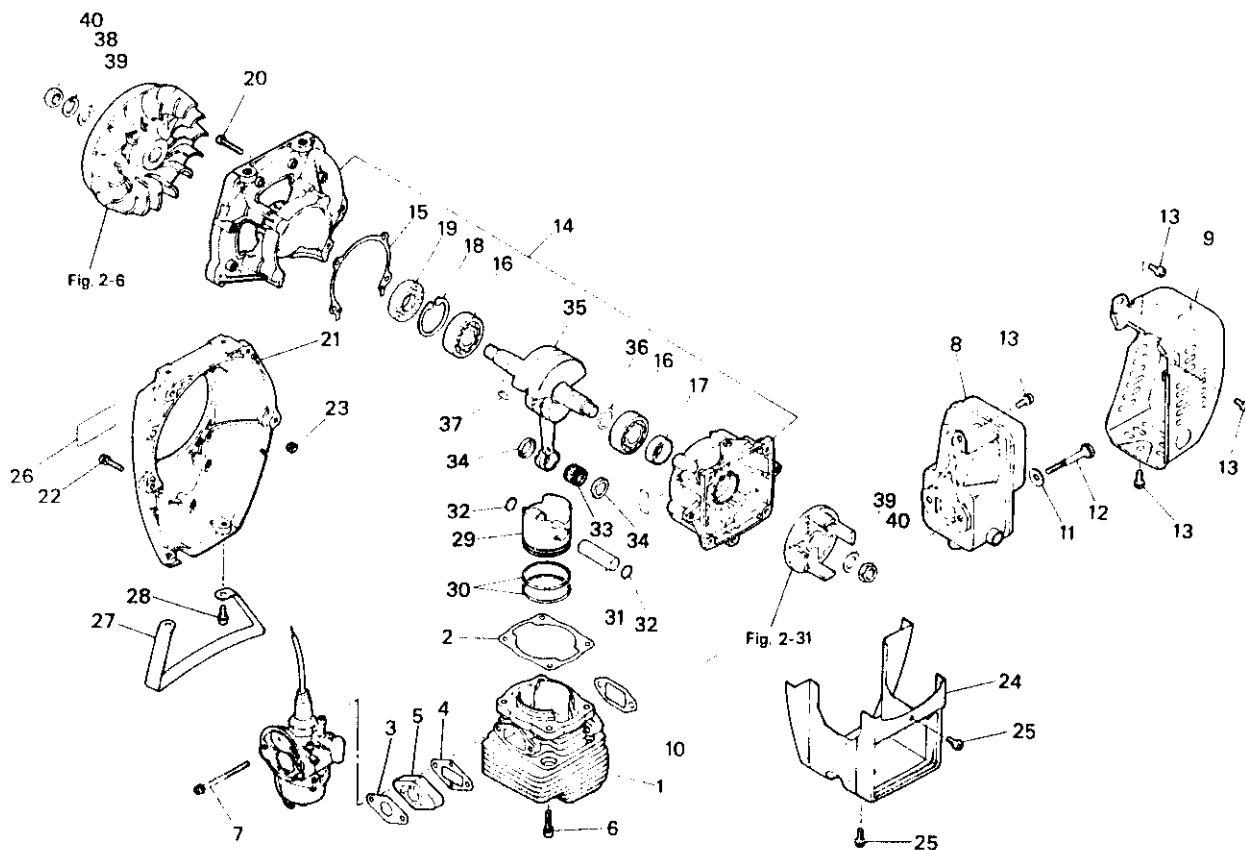
RESERVEDELSLISTER

MODEL

MULTI 430S = BC430FWM

MULTI 430M = BC430DWM

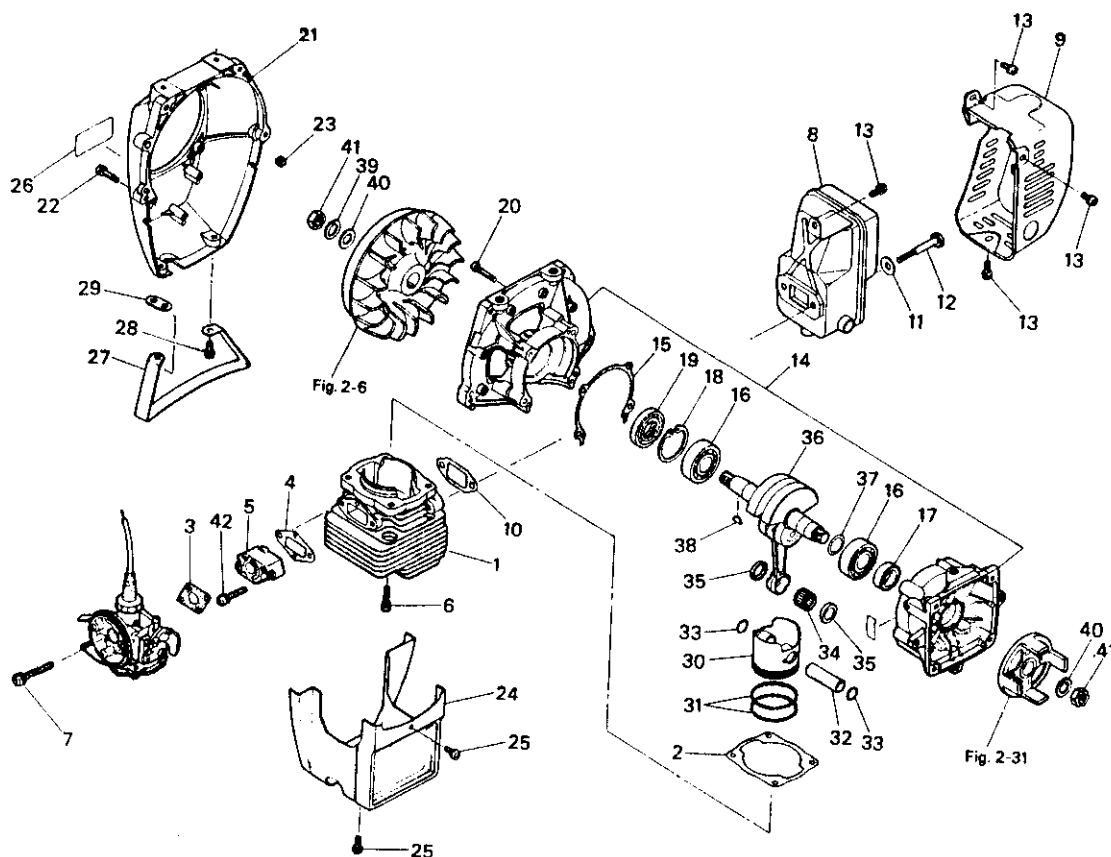
Fig. 1-1 ENGINE MAIN BODY



Key No.	Parts Number	Description	Q'ty	Rank	Remarks	Key No.	Parts Number	Description	Q'ty	Rank	Remarks
1	1400 12111	CYLINDER	1	••	K-1	1-1-29	1400-41111	PISTON	1	•••	K-1
2	1400 13120	GASKET, cylinder	1	•••	K-1, K-2	-30	1400 41220	RING, piston	2	•••	K-1
3	1400 13130	GASKET, carburetor	1	•••	K-2	-31	1400-41310	PIN, piston	1	••	K-1
4	1400 13150	GASKET, insulator	1	•••	K-2	-32	3350-41320	RING, snap	2	•••	K-1
5	1400 13160	INSULATOR	1	••	K-2	-33	1400-41410	BEARING	1	••	K-1
6	3310 12280	BOLT	4	•	K-1	-34	1400 41510	WASHER, thrust	2	••	K-1
7	0260 30560	SCREW	2	•		-35	1400-42001	CRANKSHAFT COMP	1	•	K-1
8	1400 15111	MUFFLER	1	••		-36	1300 42410	SHIM	0-1	•	K-1
9	1400 15410	COVER, muffler	1	••		-37	1000 43240	KEY	1	•••	
10	1400 13142	GASKET, muffler	1	•••	K-2	-38	0290 21025	WASHER	1	•	
11	1140 51230	WASHER	2	••		-39	01641-21016	WASHER	2	•	
12	0212 50665	BOLT	2	••		-40	1100-43231	NUT	2	••	
13	1400 15510	SCREW	4	•							
14	1400 21100	CRANKCASE COMP	1	•	K-1						
15	1400 21140	GASKET, crankcase	1	•••	K-1, K-2						
16	06030 06202	BEARING	2	•	K-1						
17	1520 21220	SEAL, oil	1	•••	K-1						
18	04065 03515	RING	1	•	K-1						
19	1400 21220	SEAL, oil	1	•••	K-1						
20	0260-00530	SCREW	4	•	K-1						
21	1400 31111	COVER, fan	1	•							
22	1400 75510	SCREW	4	•							
23	1100 72120	GROMMET	1	•							
24	1400 32110	COVER, cylinder	1	•							
25	1400 15510	SCREW	2	•							
26	1660 31120	LABEL	1	•							
27	3540 93110	STAND	1	•							

Fig. 1-1 ENGINE MAIN BODY

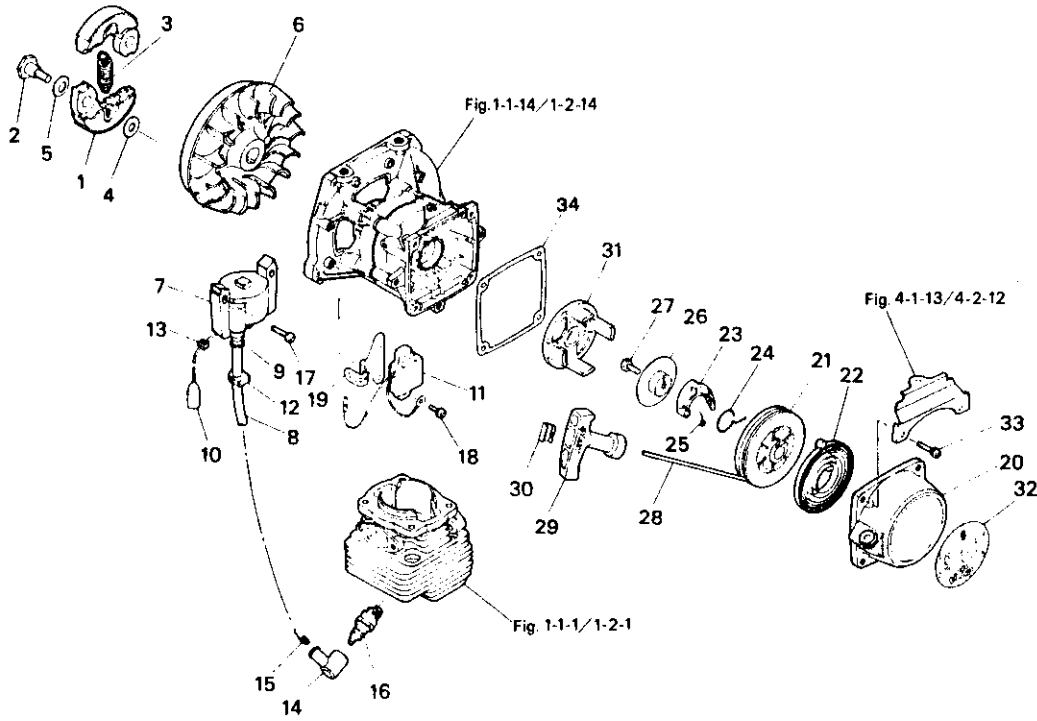
Fig. 1-2 ENGINE MAIN BODY



Key No.	Parts Number	Description	Q'ty	Rank	Remarks	Key No.	Parts Number	Description	Q'ty	Rank	Remarks
1-2	1400 12111	CYLINDER	1	••	K-1	1-2-29	1600-86130	CLAMP	1	•	
2	1400 13120	GASKET, cylinder	1	•••	K-1, K-3	-30	1400-41111	PISTON	1	•••	K-1
3	1400-13130 1420 13130	GASKET, carburetor	1	•••	K-3	-31	1400-41220	RING, piston	2	•••	K-1
4	1400 13150	GASKET, insulator	1	•••	K-3	-32	1400-41310	PIN, piston	1	••	K-1
5	1420 13160	INSULATOR	1	•••	K-3	-33	3350-41320	RING, snap	2	•••	K-1
6	3310 12280	BOLT	4	•	K-1	-34	1400-41410	BEARING	1	••	K-1
7	0260-30540	SCREW	2	•		-35	1400-41510	WASHER, thrust	2	••	K-1
8	1400-15111	MUFFLER	1	••		-36	1400-42001	CRANKSHAFT COMP	1	•	K-1
9	1400-15410	COVER, muffler	1	••		-37	1300-42410	SHIM	0-1	•	K-1
10	1400-13142	GASKET, muffler	1	•••	K-3	-38	1000-43240	KEY	1	•••	
11	1140 51230	WASHER	2	••		-39	0290-21025	WASHER	1	•	
12	0212-50665	BOLT	2	••		-40	01641-21016	WASHER	2	•	
13	1400-15510	SCREW	4	•		-41	1100-43231	NUT	2	••	
14	1400 21100	CRANKCASE COMP	1	•	K-1	-42	0260-30525	SCREW	2	•	
15	1400 21140	GASKET	1	•••	K-1, K-3						
16	06030-06202	BEARING	2	•	K-1						
17	1520 21220	SEAL, oil	1	•••	K-1						
18	04065-03515	RING, snap	1	•	K-1						
19	1400 21220	SEAL, oil	1	•••	K-1						
20	0260-00530	SCREW	4	•	K-1						
21	1400-31111	COVER, fan	1	•							
22	1400 75510	SCREW	4	•							
23	1100-72120	GROMMET	1	•							
24	1400-32110	COVER, cylinder	1	•							
25	1400 15510	SCREW	2	•							
26	1660 31120	LABEL	1	•							

Fig. 1-2 ENGINE MAIN BODY

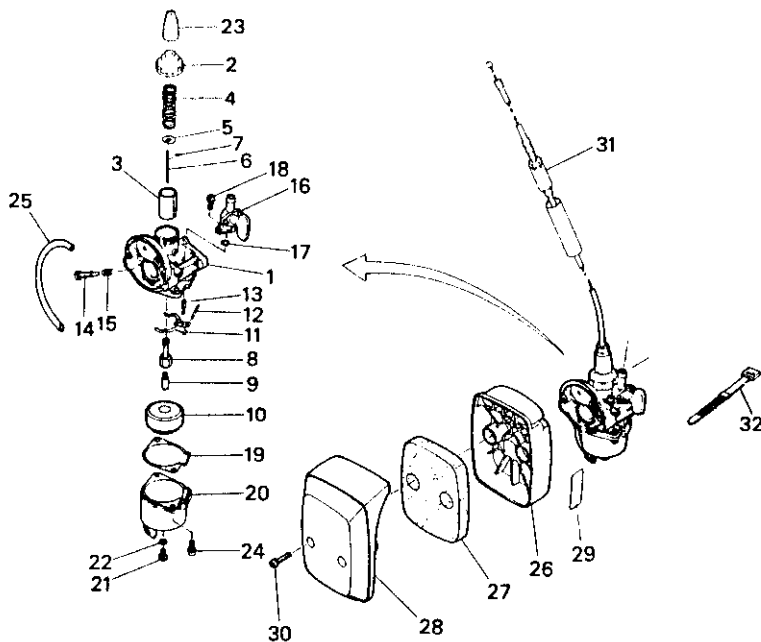
Fig. 2 CLUTCH-IGNITION SYSTEM-STARTER



Key No.	Parts Number	Description	Q'ty	Rank	Remarks	Key No.	Parts Number	Description	Q'ty	Rank	Remarks
2	1400-51110	SHOE	2	***		2-25	1179-75320	..SPRING, return	1	***	
2	1200-51211	SCREW	2	***		-26	1400-75180	..RETAINER	1	**	
3	1400-51220	SPRING, clutch	1	***		-27	1179-75271	..SCREW	1	*	
4	1200-51230	WASHER	2	***		-28	1400-75160	..ROPE	1	**	
5	1200-51240	WASHER	2	***		-29	1400-75170	..KNOB	1	*	
	1400-71000	MAGNETO ASSY	1	*		-30	1179-75340	..CAP	1	*	
6	1400-71110	.. ROTOR	1	*		-31	1400-75211	.. PULLEY, starter	1	*	
	1650-71200	.. COIL ASSY	1	**		-32	1403-75410	LABEL	1	*	
7	☆	..COIL	1		☆1650-71200	-33	1400-75510	SCREW	4	*	
8	1400-71220	..CORD	1	**		-34	1400-75430	GASKET, starter	1	***	K-2, K-3
9	1400-71230	..CAP, cord	1	**							
10	1650-71240	..CORD	1	**							
11	1400-71310	..UNIT	1	**							
12	3320-72211	..GROMMET, high tension	1	*							
13	1100-72120	GROMMET	1	*							
14	1400-72111	CAP, plug	1	***							
15	1400-72121	SPRING, plug cap	1	***							
16	1216-73110	SPARK PLUG	1	***	BM6A Champion RCJ-BY						
17	1400-75510	SCREW	3	*							
18	0260-30516	SCREW	2	*							
19	1400-72310	CLAMP	1	*							
	1400-75001	STARTER ASSY	1	**							
	1400-75100	.. RECOIL ASSY	1	**							
20	1400-75110	..CASE	1	*							
21	1400-75120	..REEL	1	**							
22	1400-75130	..SPRING, spiral	1	***							
23	1400-75140	..RATCHET	1	***							
24	117975251	FJFDEQ									

Fig. 2 CLUTCH-IGNITION SYSTEM-STARTER BC430FWM/BC430DWM

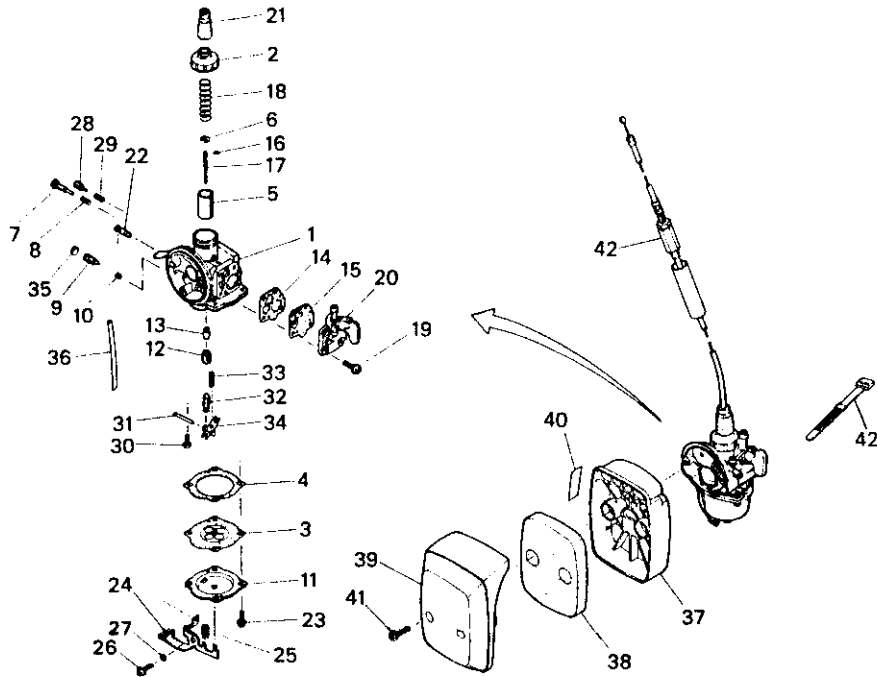
Fig. 3-1 CARBURETOR-AIR CLEANER-THROTTLE CABLE



Key No.	Parts Number	Description	Q'ty	Rank	Remarks	Key No.	Parts Number	Description	Q'ty	Rank	Remarks
	1400-81001	CARBURETOR ASSY	1			3-1-27	1400-82130	· ELEMENT	1	•••	
3-1	☆	· BODY, carburetor	1		☆ 1400-81001	-28	1400-82120	· COVER, cleaner	1	•	
-2	1650-81120	· CAP, body	1	•		-29	1133-82060	· LABEL	1	•	
-3	1400-81150	· VALVE, throttle	1	•		-30	0260-30422	SCREW	2	•	
-4	1335-81060	· SPRING, throttle	1	•		-31	1650-83100	CABLE COMP	1	•••	
-5	1335-81070	· RECEIVE, throttle spring	1	••		-32	1620-81910	BAND, cable	1		
-6	1400-81210	· NEEDLE, jet	1	••							
-7	1030-81000-16	· CLIP, jet needle	1	•••							
-8	1400-81230	· JET, needle	1	••							
-9	1400-81240	· JET, main	1	••							
-10	1335-81180	· FLOAT	1	•							
-11	1400-81340	· HINGE, float	1	••							
-12	1400-81350	· PIN, float hinge	1	•••							
-13	1400-81360	· VALVE, needle	1	•••							
-14	1650-81250	· SCREW, adjust	1	•							
-15	1650-81260	· SPRING, adjust screw	1	•							
-16	1400-81500	· COCK ASSY	1	••							
-17	1400-81540	· O-RING	1	•••							
-18	0260-10410	· SCREW	2	•							
-19	1400-81320	· PACKING	1	•••							
-20	1400-81310	· CHAMBER, float	1	•							
-21	1038-81001-32	· SCREW, drain	1	••							
-22	1030-81000-33	· PACKING	1	•••							
-23	1400-81610	· CAP	1	•••							
-24	0260-10412	· SCREW	2	•							
-25	1650-81710	· PIPE	1	•••							
	1651-82000	CLEANER ASSY	1	•							

Fig. 3-1 CARBURETOR-AIR CLEANER-THROTTLE CABLE BC430T

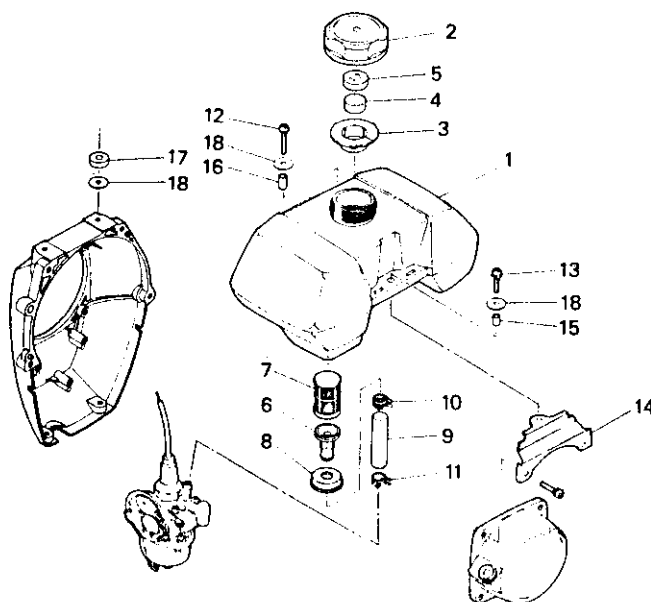
Fig. 3-2 CARBURETOR·AIR CLEANER·THROTTLE CABLE



Key No.	Parts Number	Description	Q'ty	Rank	Remarks	Key No.	Parts Number	Description	Q'ty	Rank	Remarks
	1420-81000	CARBURETOR ASSY	1	••		3-2-28	1100-81330	• SCREW, slow air	1	•	
3 2 1	☆	• BODY, carburetor	1		☆1420-81000	-29	1100-81340	• SPRING, air screw	1	•	
2	1650-81120	• CAP, body	1	•		-30	0260-00306	• SCREW	1	•	
3	1420-81480	• DIAPHRAGM ASSY	1	•••		-31	1100-81461	• PIN, hinge	1	•••	
4	1101-81950	• PACKING, diaphragm	1	•••		-32	1100-81440	• VALVE, needle	1	•••	
5	1420-81150	• VALVE, throttle	1	•		-33	1420-81430	• SPRING, hinge	1	••	
6	1335-81070	• RECEIVE, throttle spring	1	••		-34	1420-81450	• HINGE, valve	1	•••	
7	1038-81001-29	• SCREW, adjust	1	•		-35	1420-81620	• CAP, MJ screw	1	••	
8	1650-81260	• SPRING, idle screw	1	•		-36	1420-86180	PIPE	1	•	
9	1420-81270	• SCREW, MJ adjust	1	•			1421-82001	CLEANER ASSY	1	•	
10	1420-81370	• SPRING, MJ screw	1	•		-37	1400-82110	• BODY, cleaner	1	•	
11	1420-81490	• COVER, diaphragm	1	•		-38	1400-82130	• ELEMENT	1	•••	
12	1420-81420	• HOLDER, needle jet	1	•		-39	1400-82120	• COVER, cleaner	1	•	
13	1420-81410	• JET, needle	1	•••		-40	1133-82060	• LABEL	1	•	
14	1420-81730	• PACKING, pump	1	•••		-41	0260-30422	SCREW	2	•	
15	1420-81720	• DIAPHRAGM, pump	1	•••		-42	1650-83100	CABLE COMP	1	•••	
16	1101-81190	• CLIP, jet needle	1	•••		-43	1620-81910	BAND, cable	1		
17	1420-81180	• NEEDLE, jet	1	•••							
18	1335-81060	• SPRING, throttle	1	•							
19	0260-10310	• SCREW	4	•							
20	1420-81800	• PUMP COVER ASSY	1	••							
21	1400-81610	• CAP	1	•••							
22	1130-81170	• VALVE ASSY	1	•••							
23	0260-10308	• SCREW	4	•							
24	1420-81510	• LEVER, tickler	1	•							
25	1420-81520	• SPRING, tickler	1	•							
26	0260-00408	• SCREW	1	•							

Fig. 3-2 CARBURETOR·AIR CLEANER·THROTTLE CABLE BC430DWM

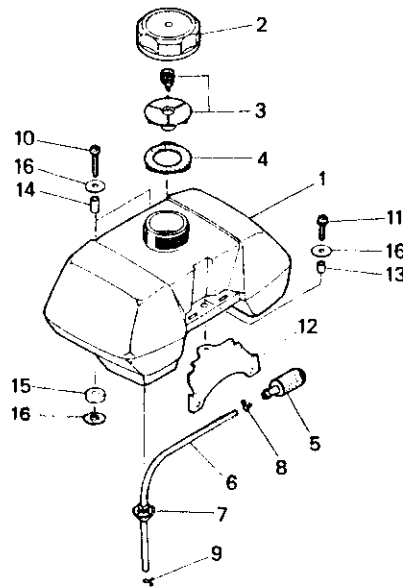
Fig. 4-1 FUEL TANK



Key No.	Parts Number	Description	Q'ty	Rank	Remarks	Key No.	Part Number	Description	Q'ty	Rank	Remarks
4 1- 1	1403-85000	TANK ASSY	1	•••							
	☆	• TANK	1		☆1403-85000						
	1403-85300	• CAP ASSY	1	•••							
2	☆	• CAP	1	••	☆1403-85300						
3	1401-85321	• CAP, inner	1	••							
4	1030-85140	• ELEMENT	1	••							
5	1400-85331	• PLATE	1	••							
	1400-85100	• JOINT ASSY	1	••							
6	☆	• JOINT, strainer	1		☆1400-85100						
7	1400-85130	• STRAINER	1	••							
8	1400-85140	• GROMMET, strainer	1	•••							
9	1400-86110	• PIPE, fuel	1	••							
10	3063-22510	• CLIP	1	••							
11	3063-22510	CLIP	1	••							
12	0265-10525	SCREW	2	•							
13	0260-30520	SCREW	1	•							
14	1400-86211	SUPPORT	1	•							
15	1400-86250	COLLAR	1	•							
16	1400-86260	COLLAR	2	•							
17	1400-86271	CUSHION	2	••							
18	1400-86280	WASHER	5	•							

Fig. 4-1 FUEL TANK

Fig. 4-2 FUEL TANK

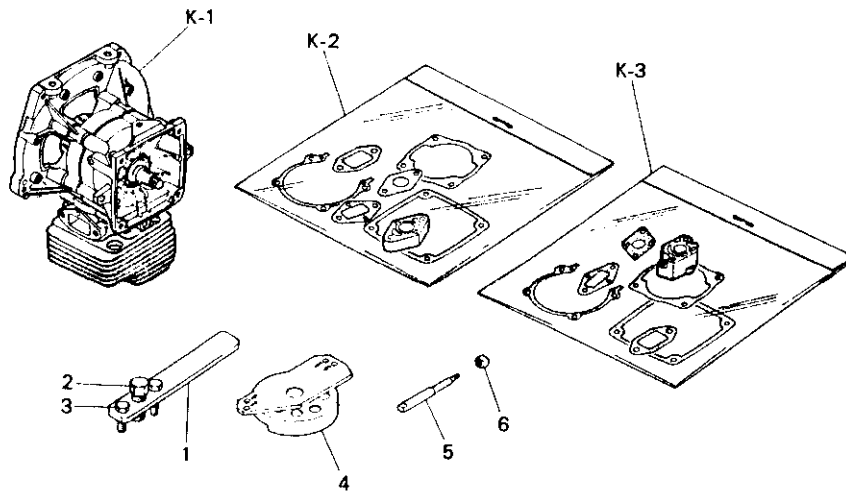


Tank my type m. 2 hulls 1420 85112

Key No.	Parts Number	Description	Q'ty	Rank	Remarks	Key No.	Parts Number	Description	Q'ty	Rank	Remarks
4-2-1	1421-85002	TANK ASSY	1	••							
	☆	• TANK	1		☆1421-85002						
	1751-85201	• CAP ASSY	1	•••							
2	☆	•• CAP	1		☆1751-85201						
	1600-85301	•• VALVE COMP	1	•••							
3	1600-85310	••• VALVE, fuel	1	•••							
4	1600-85320	••• PACKING	1	•••							
5	3306-85400	• FILTER ASSY	1	•••							
	1420-85400	• PIPE COMP	1	•••							
6	☆	•• PIPE, suction	1		☆1420-85400						
7	☆	•• GROMMET	1		☆1420-85400						
8	1260-85460	• CLIP	1	••							
9	1063-86130	CLIP	1	••							
10	0260-10525	SCREW	2	•							
11	0260-30520	SCREW	1	•							
12	1400-86211	SUPPORT, tank	1	•							
13	1400-86250	COLLAR	1	•							
14	1400-86260	COLLAR	2	•							
15	1400-86271	CUSHION	2	••							
16	1400-86280	WASHER	5	•							

Fig. 4-2 FUEL TANK

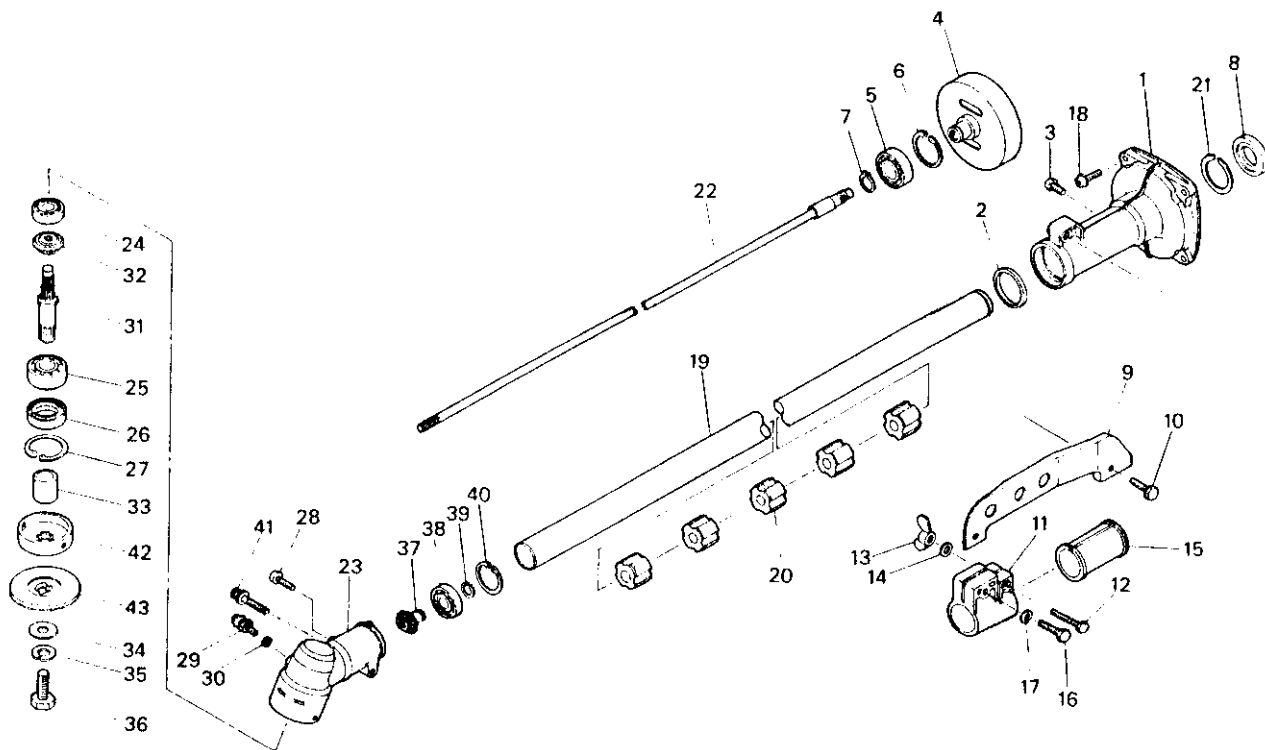
Fig. 5 REPAIR KIT PARTS-SPECIAL TOOLS



Key No.	Parts Number	Description	Q'ty	Rank	Remarks	Key No.	Parts Number	Description	Q'ty	Rank	Remarks	
5 K 1	1400 05020	SHORT BLOCK	1		OP	5-K- 3	1420-06010	GASKET KIT	1		OP (for BC430DWM)	
	1400 12111	• CYLINDER	1				1400-13120	• GASKET, cylinder	1			
	1400-13120	• GASKET, cylinder	1				1420-13130	• GASKET, carburetor	1			
	3310 12280	• BOLT	4				1400-13142	• GASKET, muffler	1			
	1400 21100	• CRANKCASE COMP	1				1400-13150	• GASKET, insulator	1			
	1400-21140	• GASKET, cylinder	1				1420-13160	• INSULATOR	1			
	06030-06202	• BEARING	2				1400-21140	• GASKET, crankcase	1			
	1520-21220	• SEAL, oil	1				1400-75430	• GASKET, starter	1			
	04065 03515	• RING	1									
	1400 21220	• SEAL, oil	1				1075-96100	PULLER ASSY	1		OP	
	0260 00530	• SCREW	4				5- 1	☆	• PULLER	1		OP ☆1075-96100
	1400 41111	• PISTON	1				- 2	1075-96120	• BOLT	1		OP
	1400-41220	• RING, piston	2				- 3	1075-96130	• BOLT	2		OP
	1400-41310	• PIN, piston	1				- 4	1400-96210	SET BLOCK	1		OP
	3350 41320	• RING, snap	2					1400-96300	ROD ASSY	1		OP
	1400 41410	• BEARING	1				- 5	1400-96310	• ROD	1		OP
	1400-41510	• WASHER	2				- 6	1400-96320	• NUT	1		OP
	1400-42001	• CRANKSHAFT COMP	1									
	1300 42410	• SHIM	0~1									
	5 K 2	1400-06010	GASKET KIT	1		OP (for BC430FWM)						
1400 13120		• GASKET, cylinder	1									
1400 13130		• GASKET, carburetor	1									
1400 13142		• GASKET, muffler	1									
1400 13150		• GASKET, insulator	1									
1400 21140		• GASKET, crankcase	1									
1400-75430		• GASKET, starter	1									

Fig. 5 REPAIR KIT PARTS-SPECIAL TOOLS

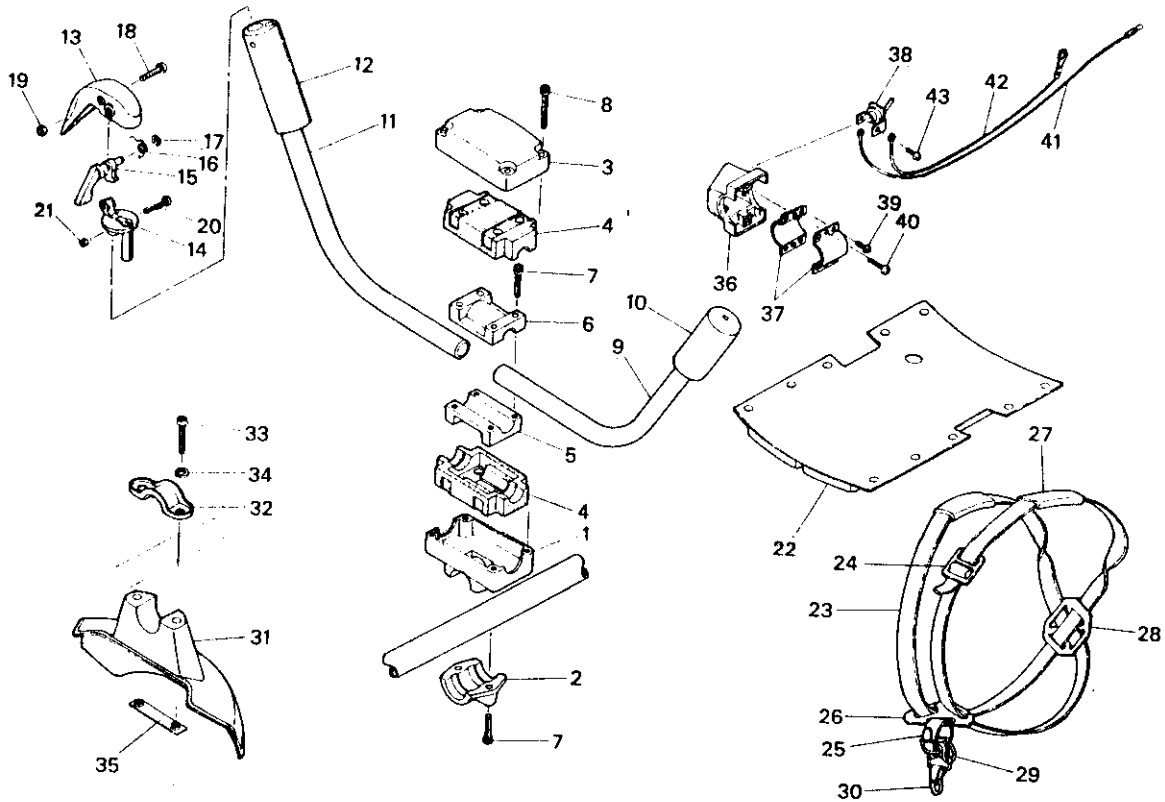
Fig. 6 DRIVE SHAFT MAIN BODY



Key No.	Parts Number	Description	Q'ty	Rank	Remarks	Key No.	Parts Number	Description	Q'ty	Rank	Remarks
	3540-11101	HOUSING COMP	1	•			3546-13000	GEARCASE ASSY	1	•	
6	1	3540-11111	• HOUSING	1	•	6-23	3540-13110	• GEARCASE	1	•	
	2	3144-11150	• SEAL	1	•••	-24	06000-06000	• BEARING	1	••	
	3	0260 20610	• SCREW	1	•	-25	06000-06202	• BEARING	1	••	
	4	3540 11310	DRUM	1	•	-26	3130-13141	• SEAL	1	•••	
	5	06004-06202	BEARING	1	••	-27	04065-03515	• RING	1	••	
	6	04065-03515	RING	1	••	-28	01252-30510	• BOLT	1	•	
	7	04064-01510	RING	1	••	-29	3199-13350	• FITTING	1	•	
	8	3540 11410	SPACER	1	••	-30	01641-20608	• WASHER	1	•	
	9	3540 11420	HANGER	1	•	-31	3540-13210	• SHAFT	1	••	
	10	0224 10616	BOLT	1	•	-32	3540-13220	• GEAR	1	••	
		3540 11441	BRACKET COMP	1	•••	-33	3540-13230	• COLLAR	1	•••	
	11	3540 11432	• BRACKET	1	•••	-34	3540-13270	• WASHER	1	•••	
	12	0224-00635	• BOLT	1	•	-35	3544-13280	• WASHER	1	•••	
	13	01540 20632	• NUT	1	•	-36	3130-13260	• BOLT	1	•••	
	14	01642 20608	• WASHER	1	•	-37	3540-13310	• PINION	1	••	
	15	3540-11450	• SPACER	1	•••	-38	06001-06001	• BEARING	1	••	
	16	0224-00625	BOLT	1	•	-39	3130-13270	• RING	1	••	
	17	01642 20808	WASHER	1	•	-40	04065-02812	• RING	1	••	
	18	3540 11510	BOLT	4	•	-41	3540-13260	• BOLT	1	•	
		3546 12100	PIPE COMP	1	••	-42	3540-13240	HOLDER(A)	1	••	
	19	☆	• PIPE	1		☆3546-12100	-43	3540-13251	HOLDER (B)	1	••
	20	3130 11323	• BUSHING	5	•••						
	21	3260-11410	RING	1	••						
	22	3540 12210	SHAFT	1	••						

Fig. 6 DRIVE SHAFT MAIN BODY

Fig. 7 HANDLE-HARNESS-GUARD-SWITCH



Key No.	Parts Number	Description	Q'ty	Rank	Remarks	Key No.	Parts Number	Description	Q'ty	Rank	Remarks
7-1	3540 14100	BRACKET ASSY	1	•			3540 17200	HARNESS ASSY	1	•	
2	3540 14110	• BRACKET	1	•		7-23	3540-17200-01	• BAND	1	•	
3	3540 14120	• CAP, lower	1	•		-24	☆	• BUCKLE	1	•	☆3540-17200-01
4	3540 14130	• CAP, upper	1	•		-25	3540-17200-03	• BAND	1	•	
5	3540 14140	• ABSORBER	2	•••		-26	3540-17220	• HANGER	1	•	
6	3540 14150	• CLAMP(A)	1	•		-27	3260-17200-03	• PROTECTOR	2	••	
7	3540 14160	• CLAMP(B)	1	•		-28	3260-17200-05	• RING	1	•	
8	01252-30525	• BOLT	6	•		-29	3146-17251	• RING	1	•••	
9	01252-30530	• BOLT	4	•		-30	3144-17240	• HOOK	1	•	
10	3540-14200	HANDLE(L) COMP	1	•			3540-24000	GUARD ASSY	1	•	
11	☆	• HANDLE(L)	1	•	☆3540-14200	-31	3540-24110	• GUARD	1	•	
12	3540-14220	• GRIP	1	•		-32	3540-24121	• CLAMP	1	•	
13	3540-14500	HANDLE(R) ASSY	1	•		-33	3540-24130	• BOLT	2	•	
14	3540-14300	• HANDLE(R) COMP	1	•		-34	0290-20615	• WASHER	2	•	
15	☆	• HANDLE(R)	1	•	☆3540-14300	-35	3256-24130	• NUT	1	•	
16	3540-14320	• GRIP	1	•			3546-18000	SWITCH COMP	1	•••	
17	3540-14400	• LEVER ASSY	1	•		-36	3294-18110	• CASE	1	••	
18	3540-14410	• LEVER	1	•		-37	3287-18120	• CLAMP	2	•••	
19	3540-14420	• BRACKET	1	•		-38	3238-14171	• SWITCH	1	•••	
20	3540-14430	• LEVER	1	•		-39	0260-00405	• SCREW	4	•••	
21	3540-14441	• SPRING	1	•		-40	0277-10410	• SCREW	2	••	
22	0308-00040	• RING	1	•		-41	3555-18130	• CORD (A)	1	•••	
23	0260-00520	• SCREW	1	•		-42	3555-18140	• CORD (B)	1	•••	
24	0282-10503	• NUT	1	•		-43	0260-00405	• SCREW	2	••	
25	0260-00425	• SCREW	1	•							
26	3238-13150	• NUT	1	•							
27	3540-17110	PROTECTOR	1	••							

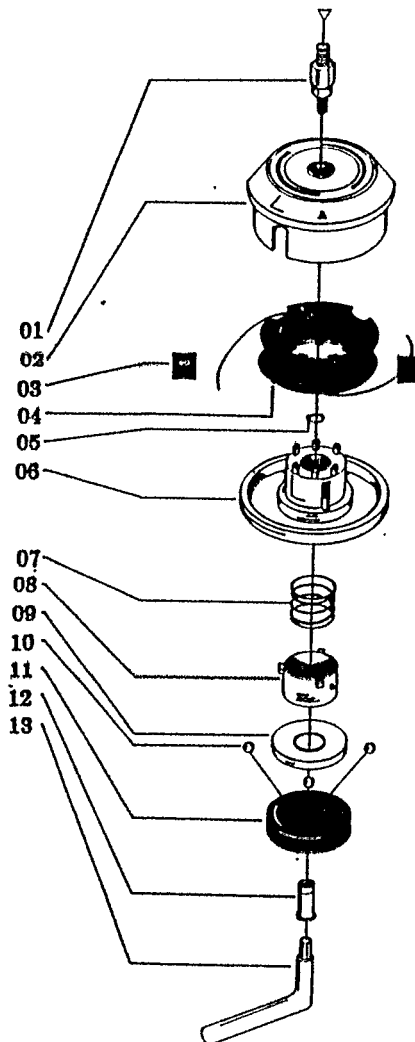
Fig. 7 HANDLE-HARNESS-GUARD-SWITCH

Ny beskytelskann 399919879
 Sele 622017200-62512400

Reservedelsliste for Feed-Matic snørehoved

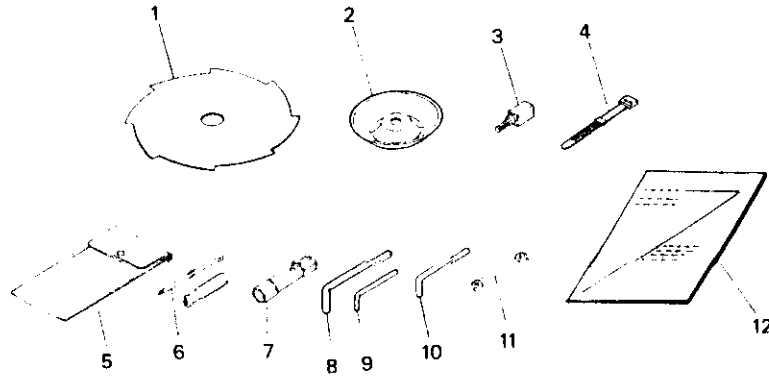
for 'TEXAS' buskryddere

1992/1



Pos.nr.	Best.nr.	Tekst
01	10-101007	Adapter for BC 220
01a	10-101008	Adapter for 340 M
01b	10-101010	Adapter for 431 M
02	10-101061	Spolehus
03	10-106003	Snørestyr
04	10-101030	Spole
05	10-103025	Låsering
06	10-101053	Bund for spolehus
06a	10-201003	Komplet bund pos. 5-12
07	10-107006	Fjeder
08	10-101069	Fjederholder
09	10-101070	Kugleskål
10	10-102073	Stålkugle
11	10-101071	Kugleholder
12	10-101056	Bolt
13	10-109006	Nøgle
14	22007100	Snørehoved for BC 220 7 MM
15	34008125	Snørehoved for 340 M 8 MM
16	43110125	Snørehoved for 431 M 10 MM

Fig. 8 STANDARD ACCESSORIES



Key No.	Parts Number	Description	Q'ty	Rank	Remarks	Key No.	Parts Number	Description	Q'ty	Rank	Remarks
8	1	3144 92122	1								
-	2	3144 13291	1								
-	3	3140 13260	1								
4		3540 93120	1								
		3540-91000	1								
-	5	1030 91112	1								
-	6	1030 91340	1								
7		3144 91160	1								
-	8	09007-00528	1								
-	9	09007 00425	1								
-	10	3540-91110	1								
-	11	3540-91120	1								
12		3546-93510	1								

Fig. 8 STANDARD ACCESSORIES